



US00D779404S

(12) **United States Design Patent**
Yoshimine et al.

(10) **Patent No.:** **US D779,404 S**

(45) **Date of Patent:** **** Feb. 21, 2017**

(54) **AUTOMOBILE**

(71) Applicant: **mitsubishi JIDOSHA KOGYO
KABUSHIKI KAISHA**, Tokyo (JP)

(72) Inventors: **Norihiko Yoshimine**, Nagoya (JP);
Atsushi Goto, Toyoake (JP)

(73) Assignee: **Mitsubishi Jidosha Kogyo Kabushiki
Kaisha**, Tokyo (JP)

(**) Term: **15 Years**

(21) Appl. No.: **29/533,811**

(22) Filed: **Jul. 22, 2015**

(30) **Foreign Application Priority Data**

Jan. 23, 2015 (JP) 2015-001140

(51) **LOC (10) Cl.** **12-08**

(52) **U.S. Cl.**
USPC **D12/190**

(58) **Field of Classification Search**
USPC D12/86, 90, 91, 92, 110, 114, 163, 169,
D12/171, 190, 192, 197, 199, 400;
293/102, 115, 112; 428/31; 180/68.4, 68.6
CPC B60R 19/52; B60R 2019/505; B60R
2019/527; B60R 2019/1886
See application file for complete search history.

(56) **References Cited**

U.S. PATENT DOCUMENTS

D643,788 S * 8/2011 Sowa D12/164
D660,754 S * 5/2012 Nakamuta D12/190

D669,406 S * 10/2012 Tomatsu D12/190
D688,999 S * 9/2013 Matsumoto D12/190
D692,358 S * 10/2013 Nakamuta D12/190
D702,602 S * 4/2014 Matsumoto D12/169
D714,197 S * 9/2014 Matsumoto D12/190
D731,993 S * 6/2015 Kim D14/126
D748,025 S * 1/2016 Yoshimine D12/190
D756,862 S * 5/2016 Wada D12/169
D760,862 S * 7/2016 Wang D22/108

* cited by examiner

Primary Examiner — Phillip S Hyder

(74) *Attorney, Agent, or Firm* — Birch, Stewart, Kolasch
& Birch, LLP

(57) **CLAIM**

The ornamental design for an automobile, as shown and described.

DESCRIPTION

FIG. 1 is a rear perspective view of the rear, top and right side of an automobile showing our new design;
FIG. 2 is a right side view thereof;
FIG. 3 is a left side view thereof;
FIG. 4 is a top plan view thereof;
FIG. 5 is a front view thereof; and,
FIG. 6 is a rear view thereof.

The broken lines in the drawings illustrate portions of the automobile that form no part of the claimed design.

1 Claim, 5 Drawing Sheets

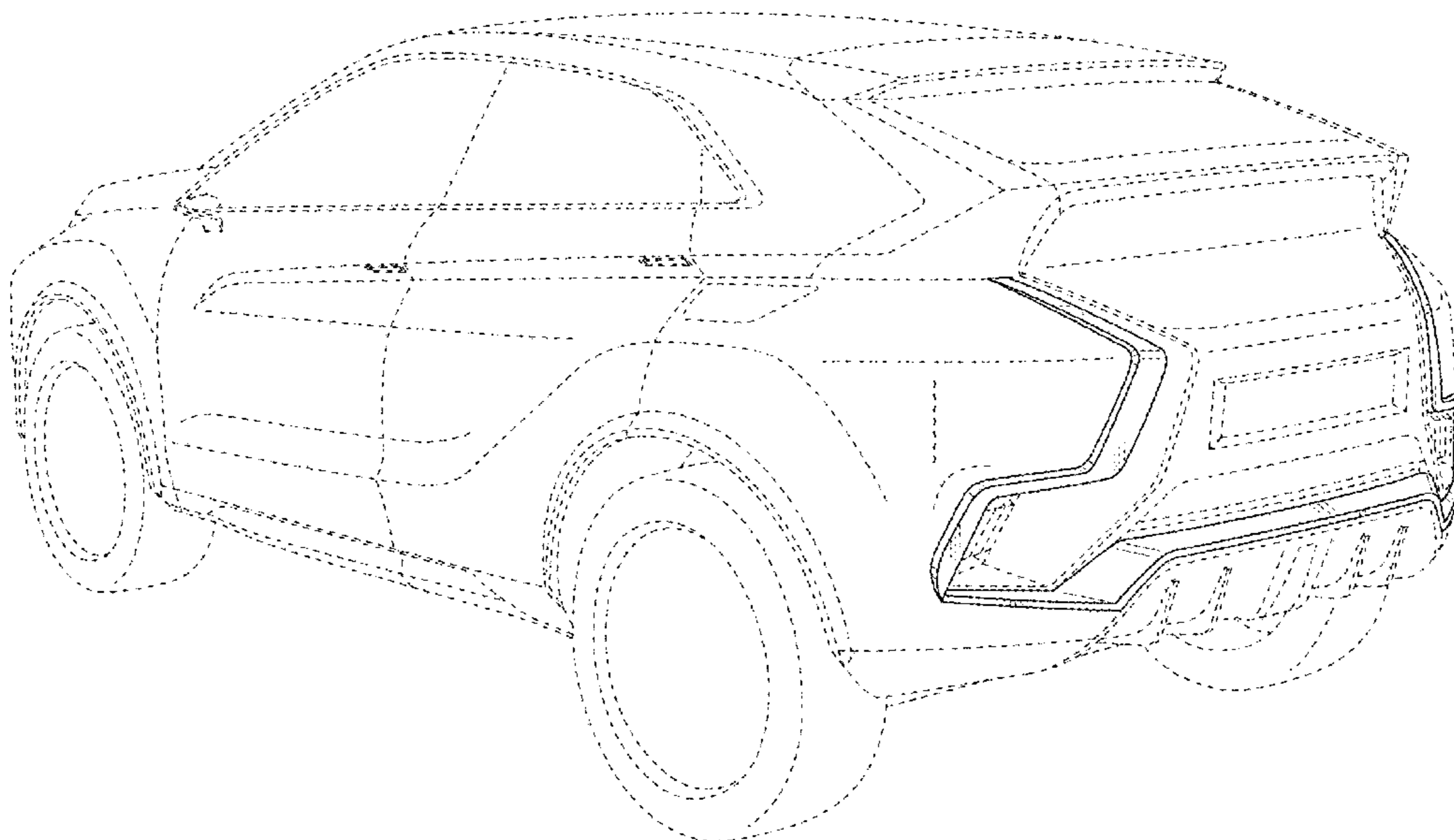


Fig. 1

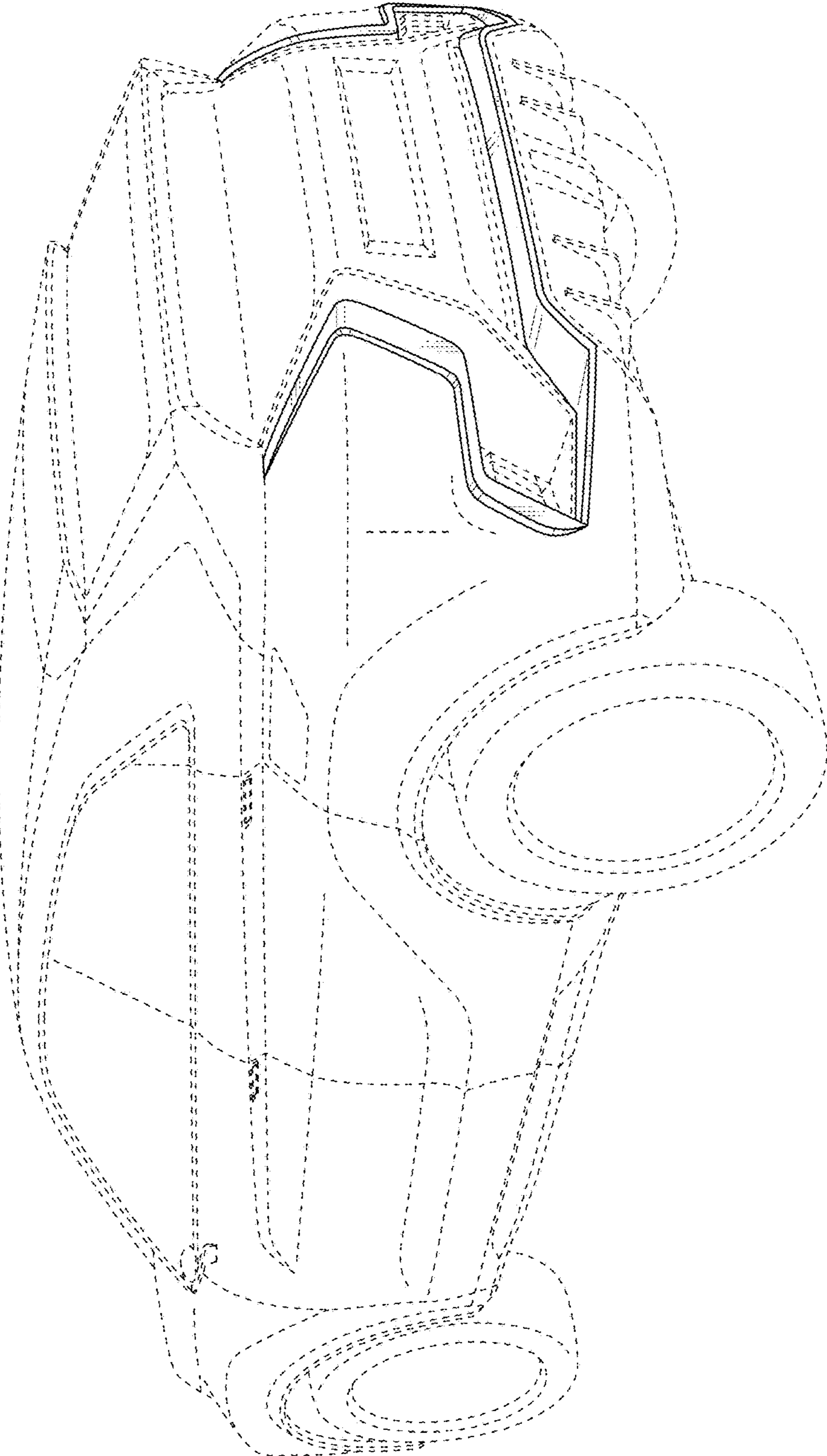


Fig. 2

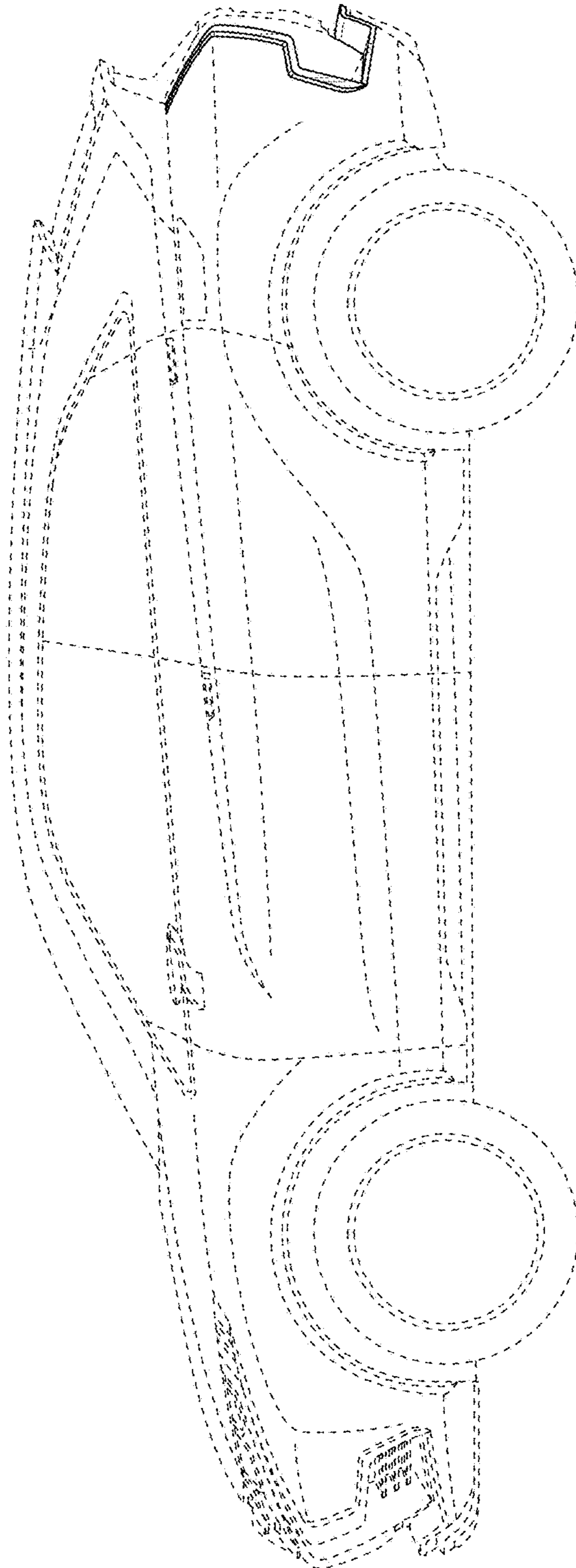


Fig. 3

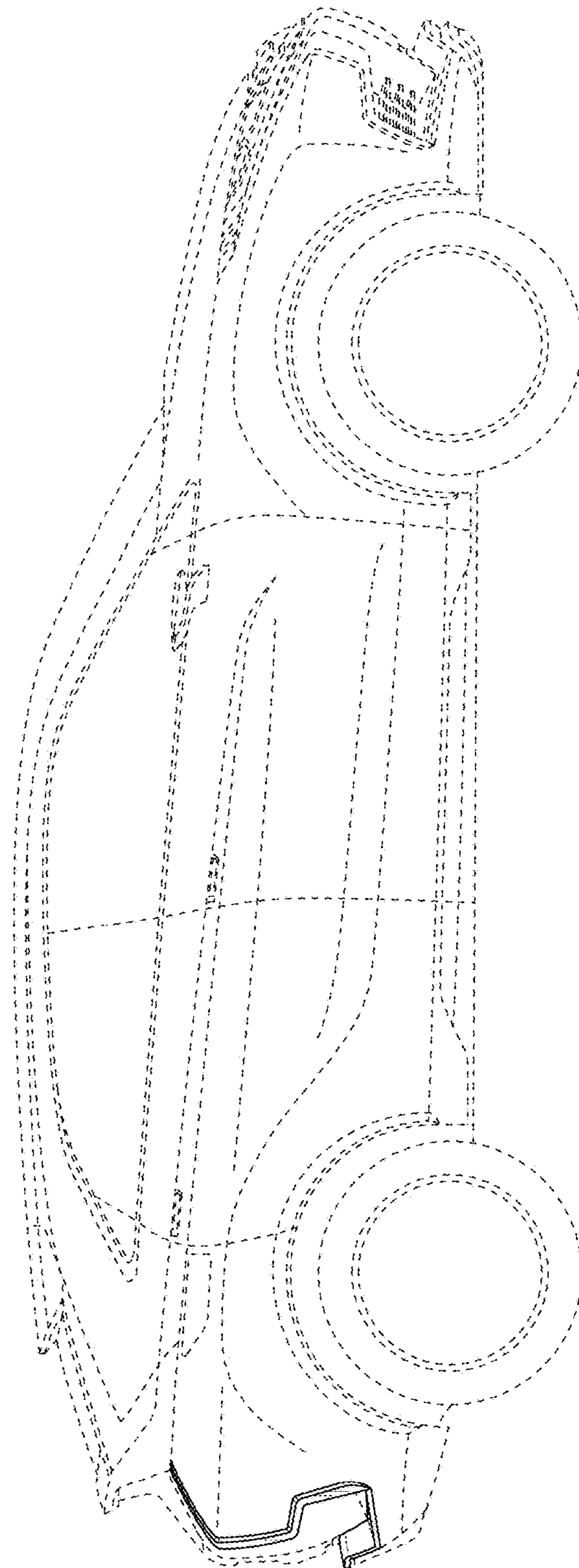


Fig. 4

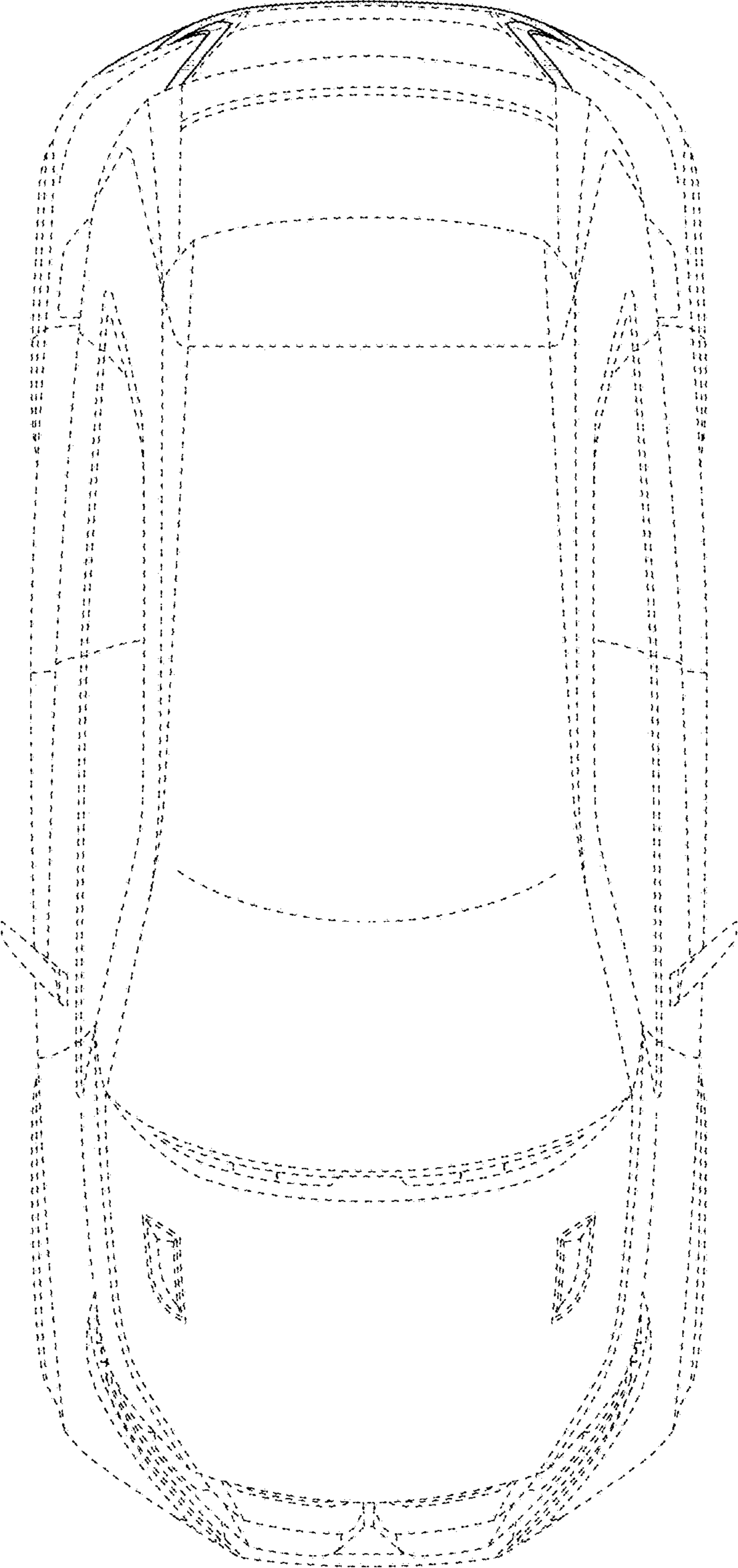


Fig. 6

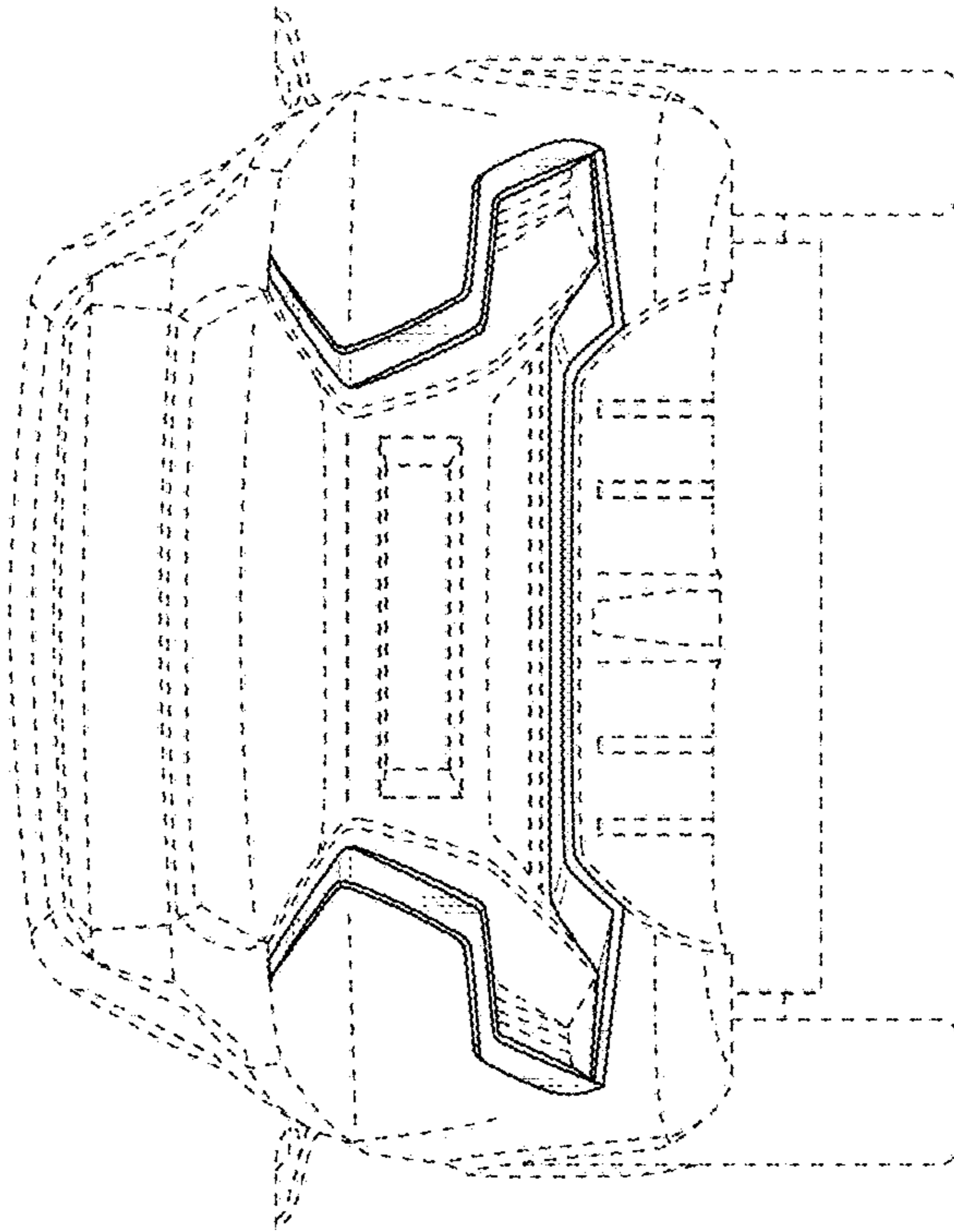


Fig. 5

