



US00D779403S

(12) **United States Design Patent**  
**Orlando**

(10) **Patent No.:** **US D779,403 S**

(45) **Date of Patent:** **\*\* Feb. 21, 2017**

(54) **AUTOMOTIVE COMPONENT**

(71) Applicant: **Steeda Autosports, Inc.**, Pompano Beach, FL (US)

(72) Inventor: **Dario Orlando**, Pompano Beach, FL (US)

(73) Assignee: **Steeda Autosports, Inc.**, Pompano Beach, FL (US)

(\*\*) Term: **14 Years**

(21) Appl. No.: **29/503,570**

(22) Filed: **Sep. 26, 2014**

(51) **LOC (10) Cl.** ..... **12-08**

(52) **U.S. Cl.**  
USPC ..... **D12/190**

(58) **Field of Classification Search**  
USPC ..... D12/190, 106, 181, 191, 196, 400, 88  
CPC ..... B60R 13/02; B60R 13/04  
See application file for complete search history.

(56) **References Cited**

**U.S. PATENT DOCUMENTS**

D457,471 S \* 5/2002 Simcox ..... D12/173  
D491,503 S \* 6/2004 Zyskowski ..... D12/173

D599,264 S \* 9/2009 Akasawa ..... D12/181  
D621,757 S \* 8/2010 Denet ..... D12/190  
D710,264 S \* 8/2014 Watkins ..... D12/169  
D751,962 S \* 3/2016 Smith ..... D12/190  
D752,491 S \* 3/2016 Buck ..... D12/190  
D760,136 S \* 6/2016 Takahashi ..... D12/190

\* cited by examiner

*Primary Examiner* — Katrina A Betton

(74) *Attorney, Agent, or Firm* — McHale & Slavin, P.A.

(57) **CLAIM**

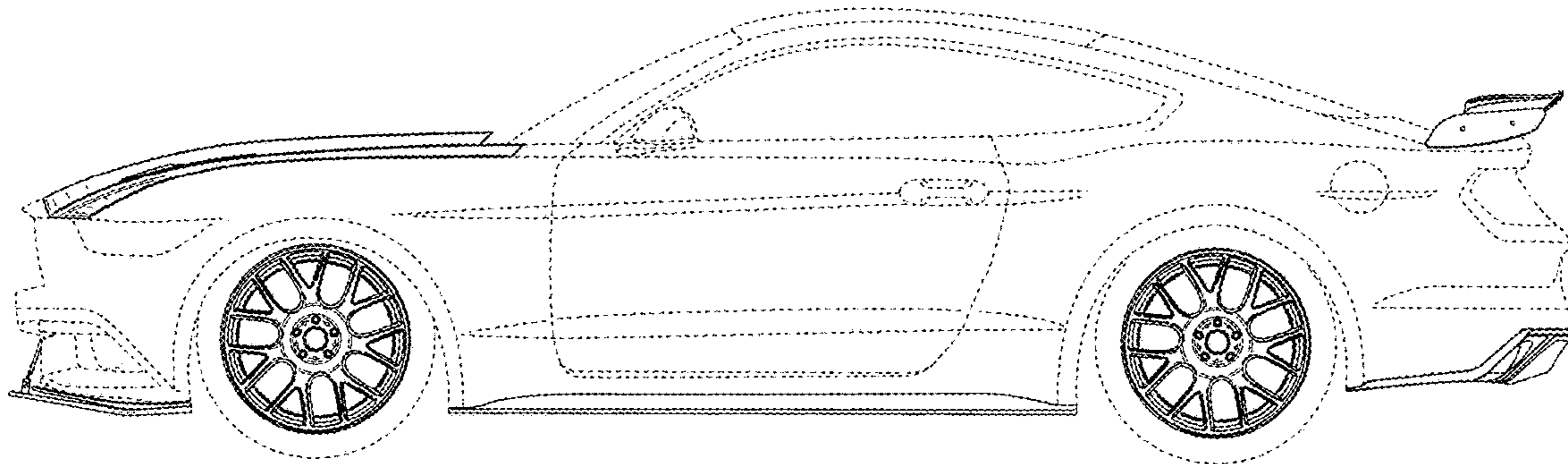
The ornamental design for an automotive component, as shown and described.

**DESCRIPTION**

FIG. 1 is a front perspective view of the automotive component of the present invention;  
FIG. 2 is a rear perspective view thereof;  
FIG. 3 is a front view thereof;  
FIG. 4 is a rear view thereof;  
FIG. 5 is a right side view thereof;  
FIG. 6 is a left side view thereof; and,  
FIG. 7 is a top view thereof.

The portions of the automotive component illustrated in broken lines form no part of the claimed subject matter.

**1 Claim, 7 Drawing Sheets**



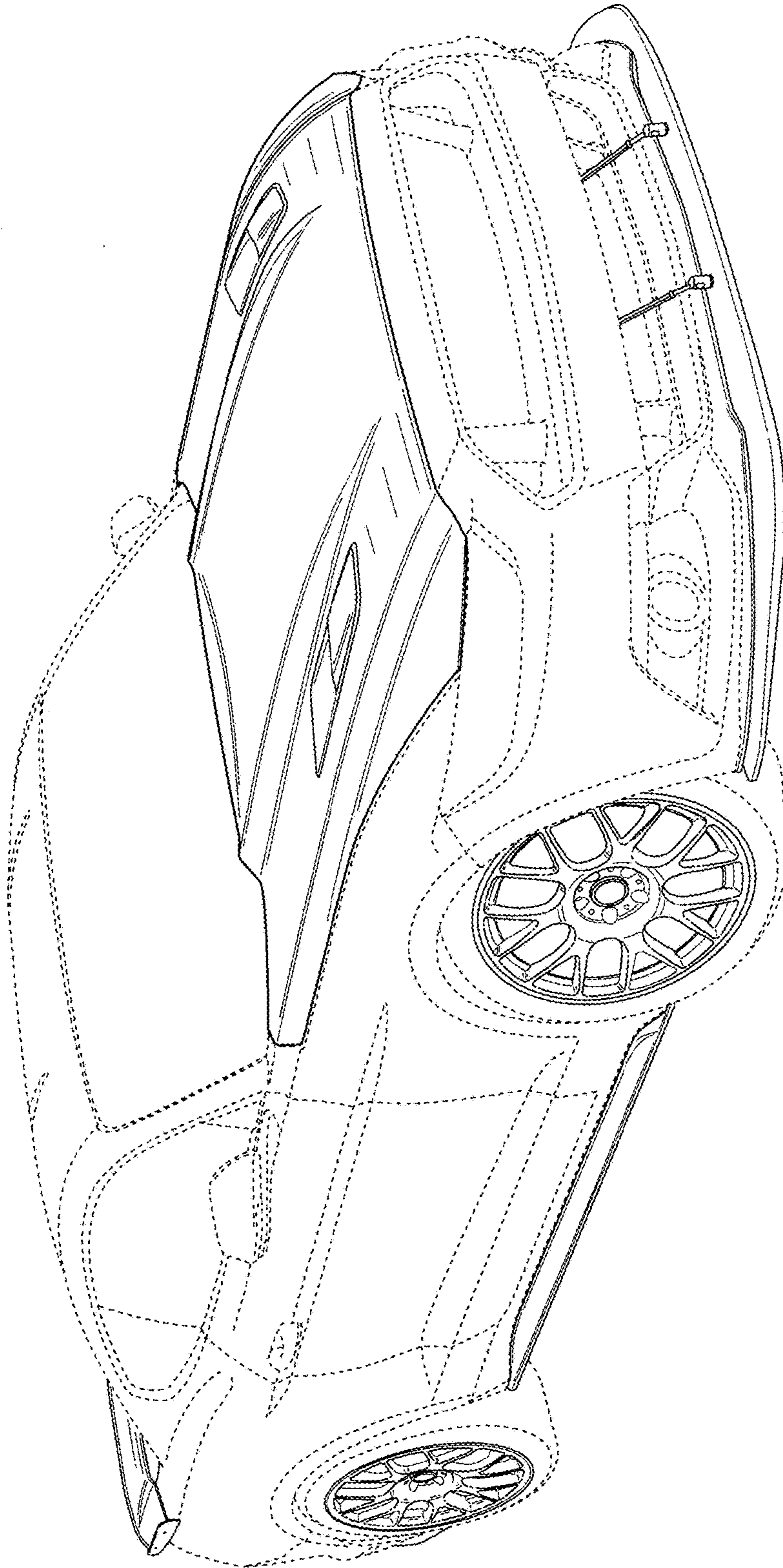


FIG. 1

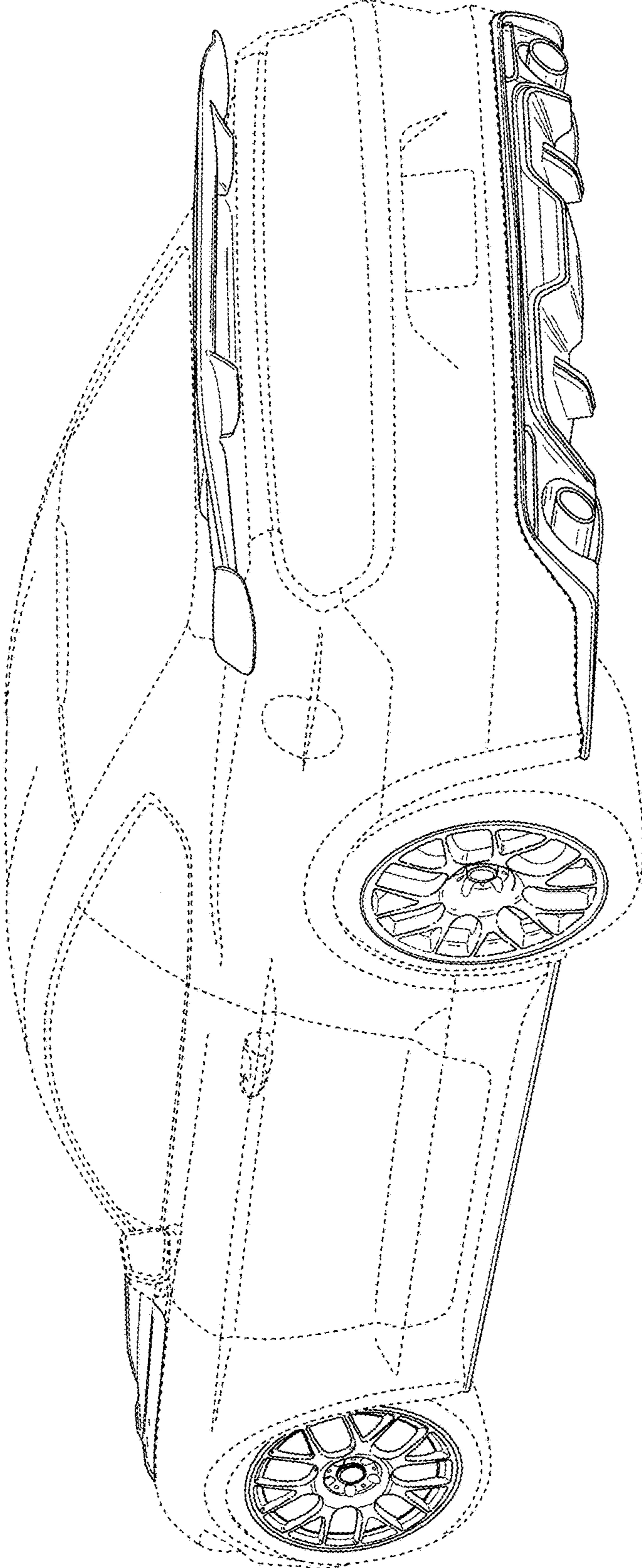
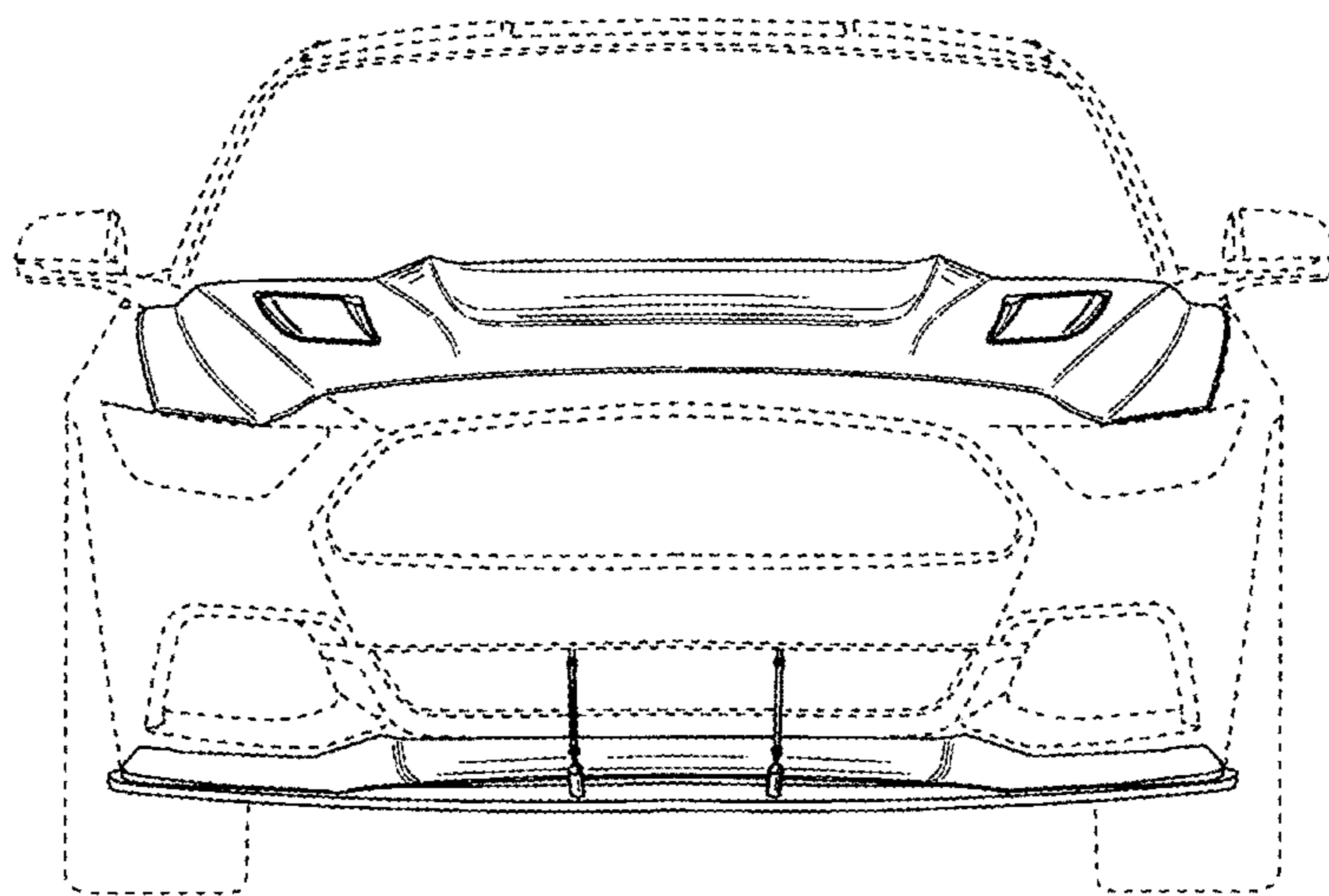


FIG. 2



**FIG. 3**

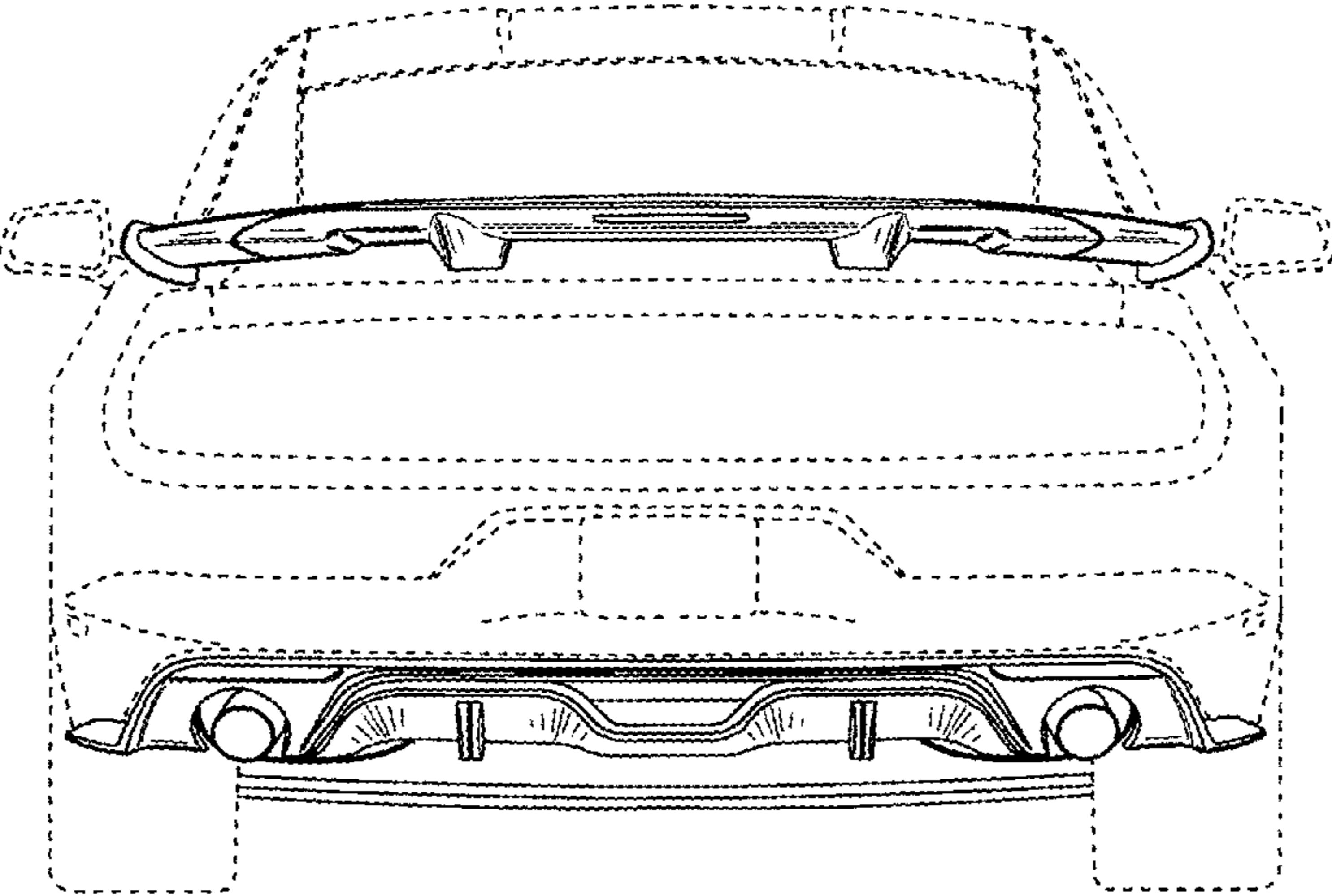


FIG. 4

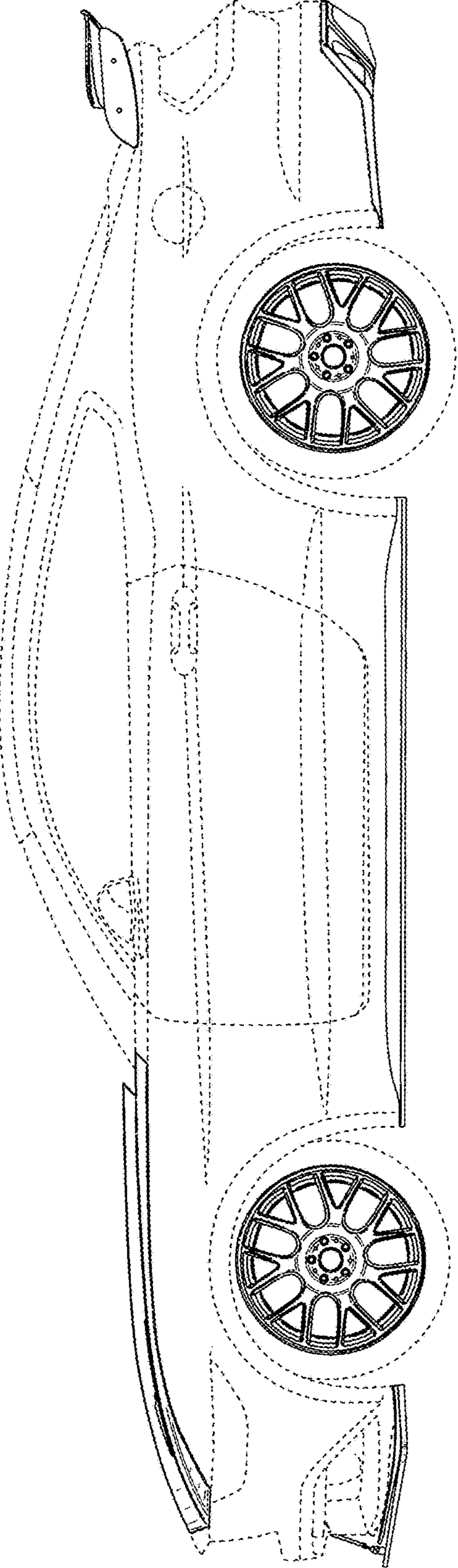


FIG. 5

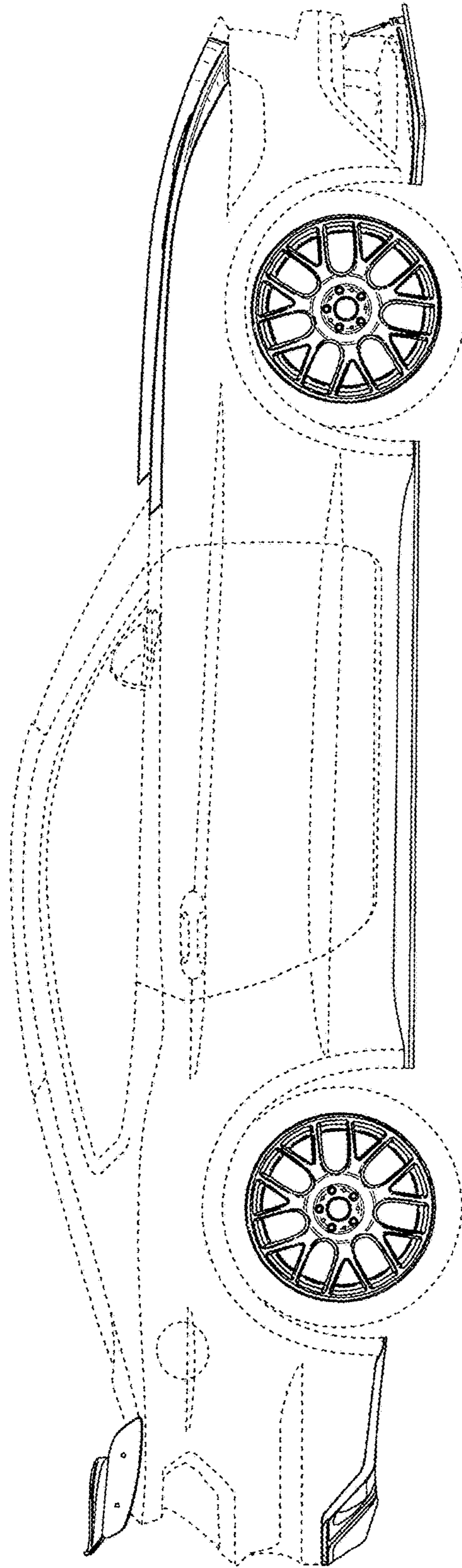


FIG. 6

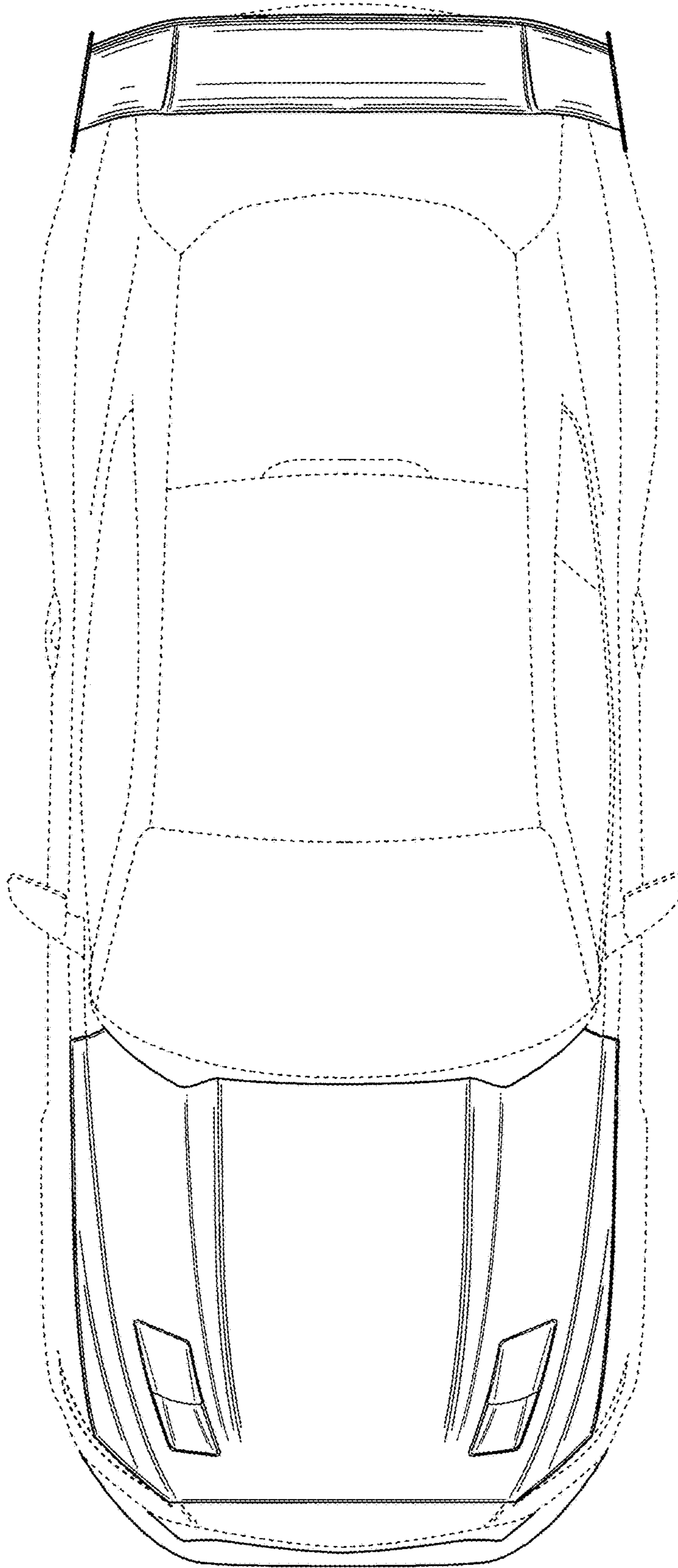


FIG. 7