



US00D779397S

(12) **United States Design Patent**
Nagwanshi et al.

(10) **Patent No.:** **US D779,397 S**

(45) **Date of Patent:** **** Feb. 21, 2017**

(54) **EXTENSION FOR AN ENERGY ABSORBER**

8,348,313 B2 * 1/2013 Chickmenahalli B60R 19/18
293/120

(71) Applicant: **SABIC Global Technologies B.V.**,
Bergen op Zoom (NL)

8,505,990 B2 * 8/2013 Czopek B60R 19/18
293/102

(72) Inventors: **Dhanendra Kumar Nagwanshi**,
Farmington Hills, MI (US);
Arunachala Parameshwara, Bangalore
(IN); **Shingo Imai**, Tokyo (JP);
Matthew D. Marks, Waterford, MI
(US)

D696,169 S * 12/2013 Mana D12/172

9,033,380 B2 * 5/2015 Mana B60R 19/18
293/120

D731,382 S * 6/2015 Mana D12/196

9,050,939 B2 * 6/2015 Marur B60R 19/18

2006/0261611 A1 * 11/2006 Mohapatra B60R 19/18
293/107

2007/0069535 A1 * 3/2007 Mohapatra B60R 19/18
293/121

(Continued)

(73) Assignee: **SABIC GLOBAL TECHNOLOGIES**
B.V. (NL)

Primary Examiner — Darlington Ly

(74) *Attorney, Agent, or Firm* — Cantor Colburn LLP

(**) Term: **14 Years**

(57) **CLAIM**

(21) Appl. No.: **29/525,402**

The ornamental design for an extension for an energy absorber, as shown and described.

(22) Filed: **Apr. 29, 2015**

DESCRIPTION

(51) **LOC (10) Cl.** **12-16**

(52) **U.S. Cl.**

USPC **D12/172**

(58) **Field of Classification Search**

USPC D12/86, 90-92, 163, 169, 171, 172, 196,
D12/216; D13/152; 293/102, 109, 113,
293/115, 117, 120, 122, 132, 133, 142,
293/143; 296/180.1, 180.2

CPC B60P 7/0815; B60R 19/18; B60R 19/30

See application file for complete search history.

FIG. 1 is a front perspective view of an extension for an energy absorber showing our new design in accordance to a first embodiment;

FIG. 2 is a front elevation view thereof;

FIG. 3 is a rear elevation view thereof;

FIG. 4 is a side elevation view thereof;

FIG. 5 is an opposing side elevation view thereof;

FIG. 6 is a top plan view thereof; and

FIG. 7 is a bottom plan view thereof.

FIG. 8 is a front perspective view of an extension for an energy absorber showing our new design in accordance to a second embodiment;

FIG. 9 is a front elevation view thereof;

FIG. 10 is a rear elevation view thereof;

FIG. 11 is a side elevation view thereof;

FIG. 12 is an opposing side elevation view thereof;

FIG. 13 is a top plan view thereof; and,

FIG. 14 is a bottom plan view thereof.

(56) **References Cited**

U.S. PATENT DOCUMENTS

7,568,746 B2 * 8/2009 Jaarda B60R 19/18
293/102

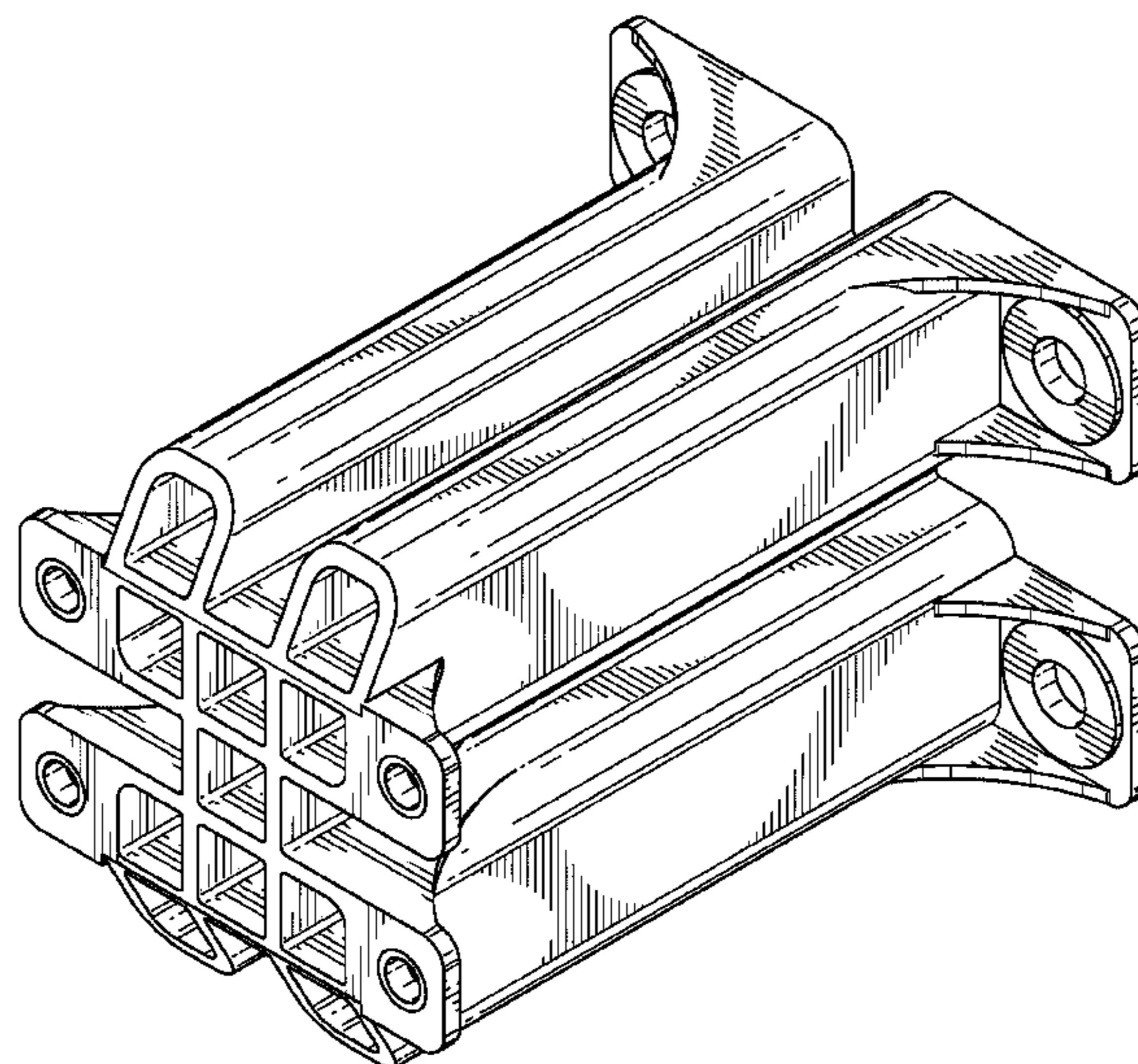
7,806,448 B2 * 10/2010 Allen B60R 19/18
293/120

7,938,462 B2 * 5/2011 Nilsson B60R 19/18
293/102

D670,217 S * 11/2012 Bobba D12/169

D670,218 S * 11/2012 Bobba D12/169

1 Claim, 8 Drawing Sheets



(56)

References Cited

U.S. PATENT DOCUMENTS

2007/0200376 A1* 8/2007 Jaarda B60R 19/18
293/120
2008/0197663 A1* 8/2008 Smith B60P 7/0815
296/100.01
2012/0104778 A1* 5/2012 Mana B60R 19/18
293/133
2012/0153643 A1* 6/2012 Mana B60R 19/12
293/120
2014/0203577 A1* 7/2014 Nagwanshi B60R 19/34
293/120
2014/0203592 A1* 7/2014 Nagwanshi B62D 29/004
296/187.01

* cited by examiner

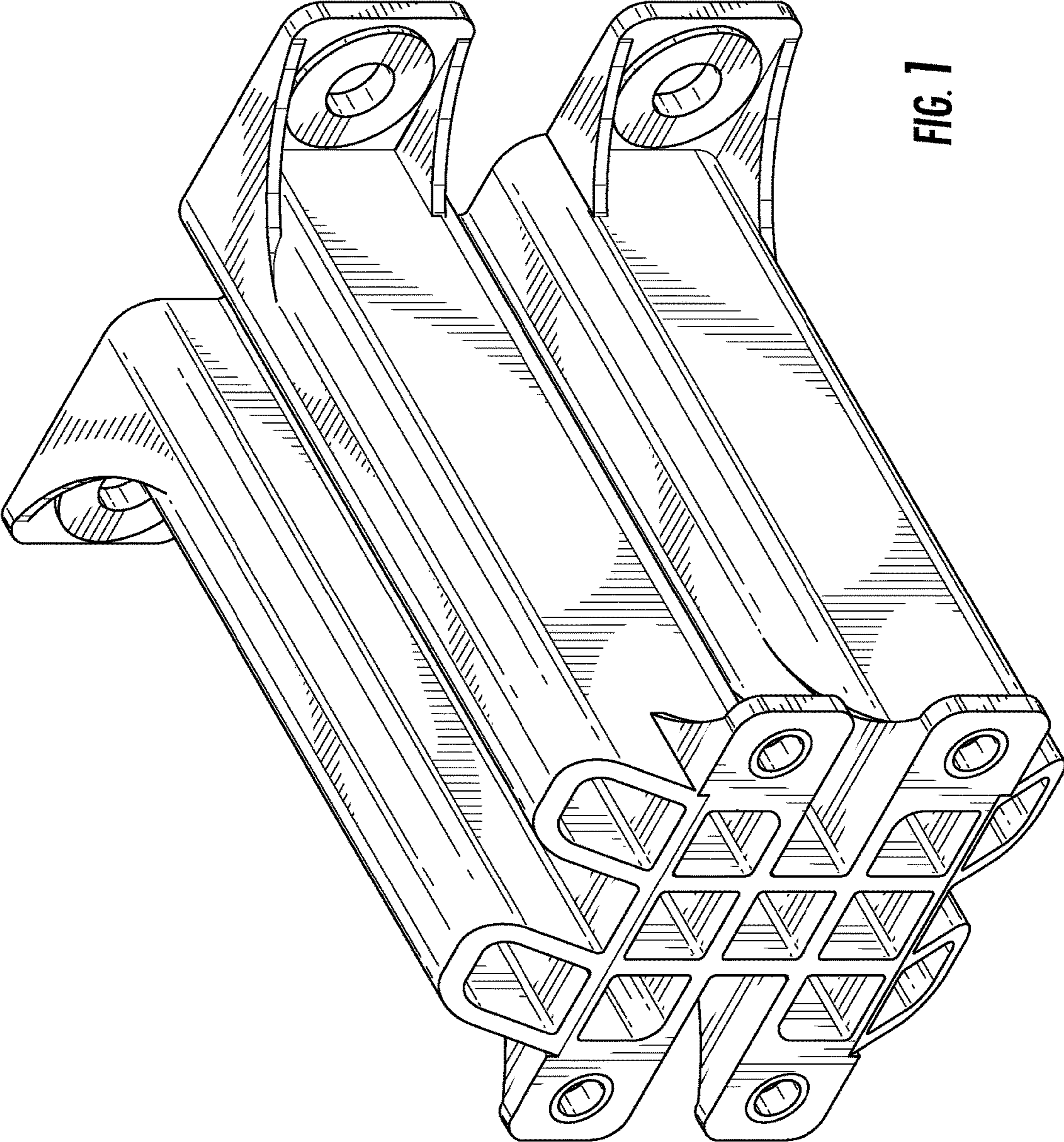


FIG. 1

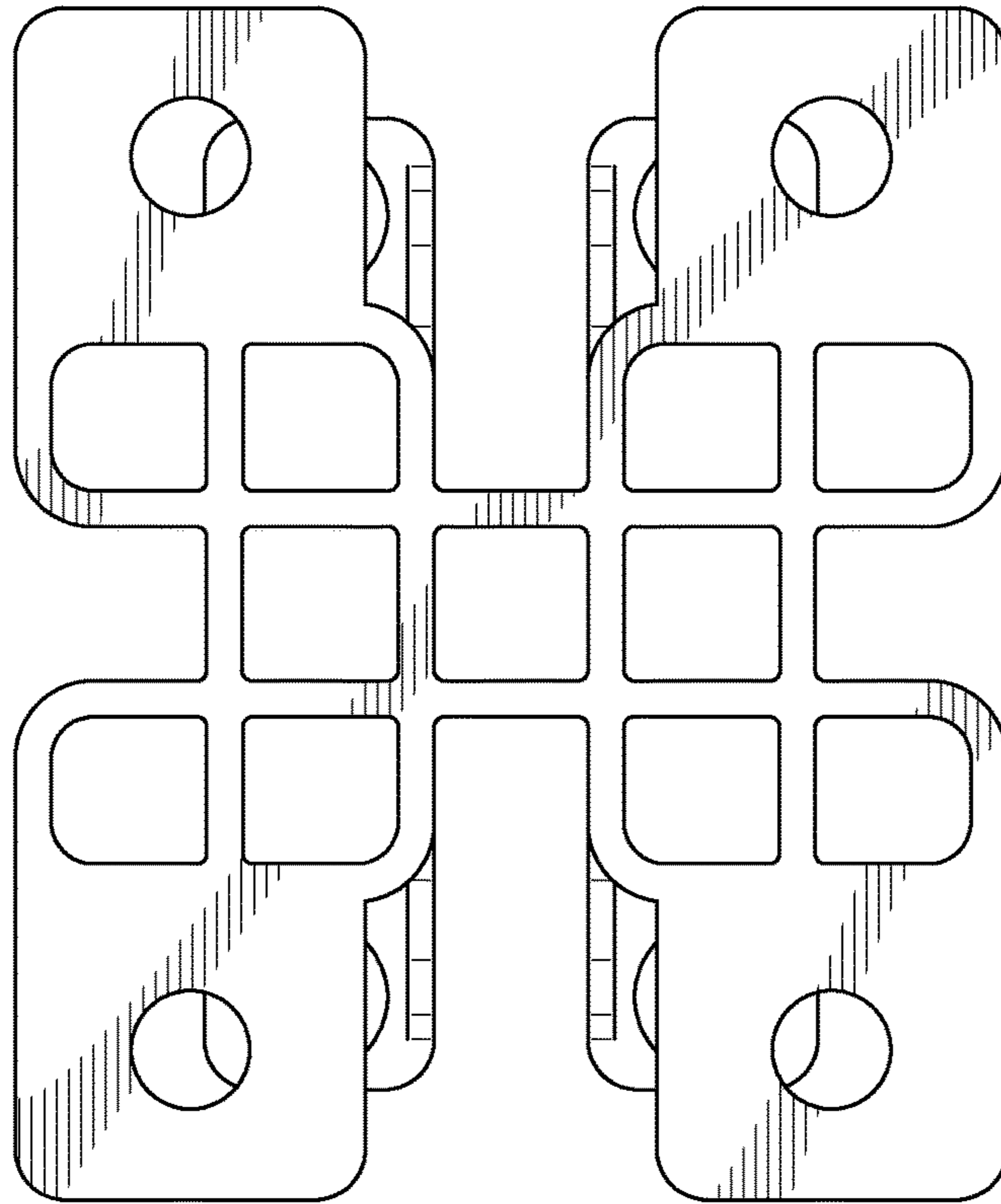


FIG. 3

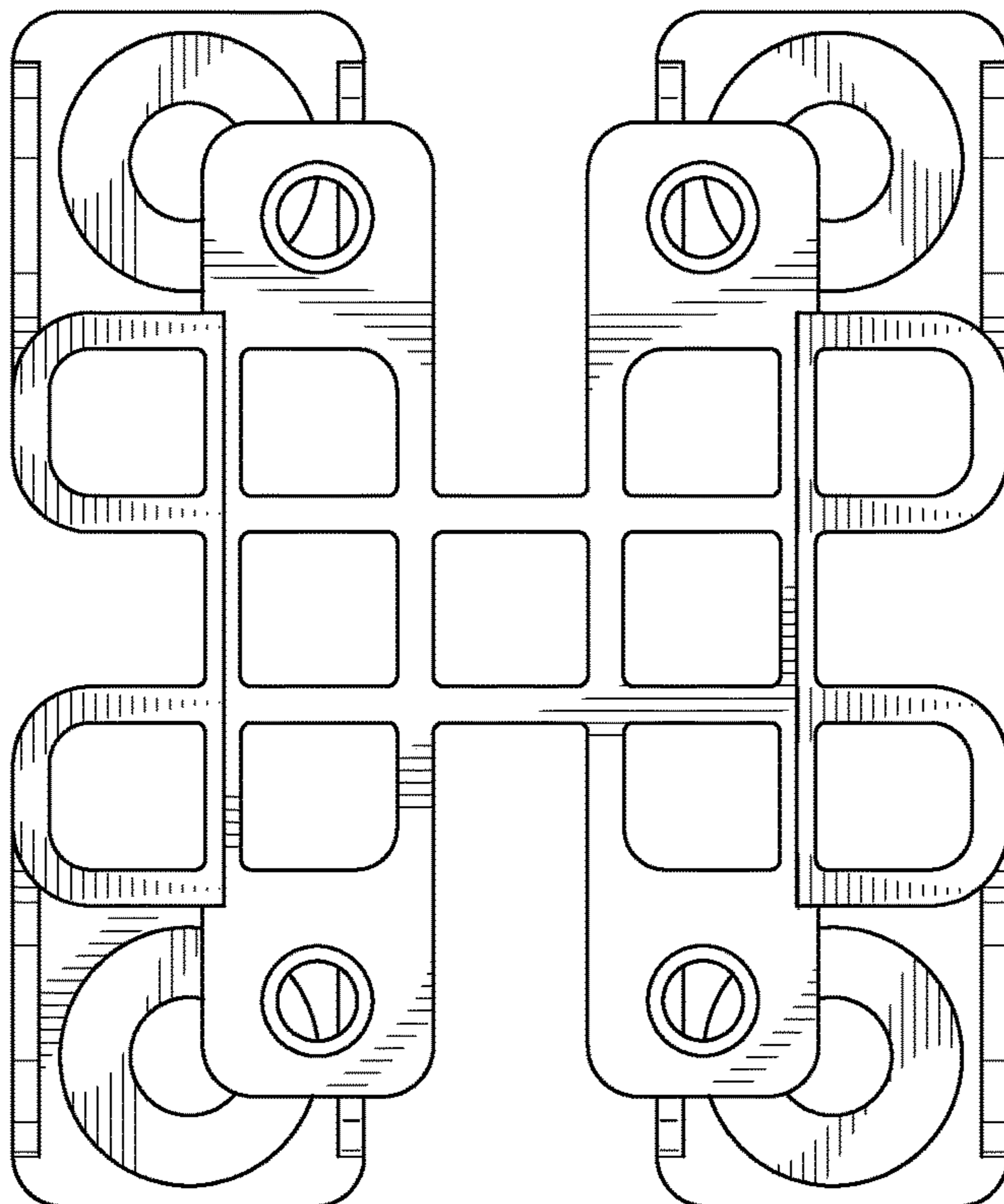


FIG. 2

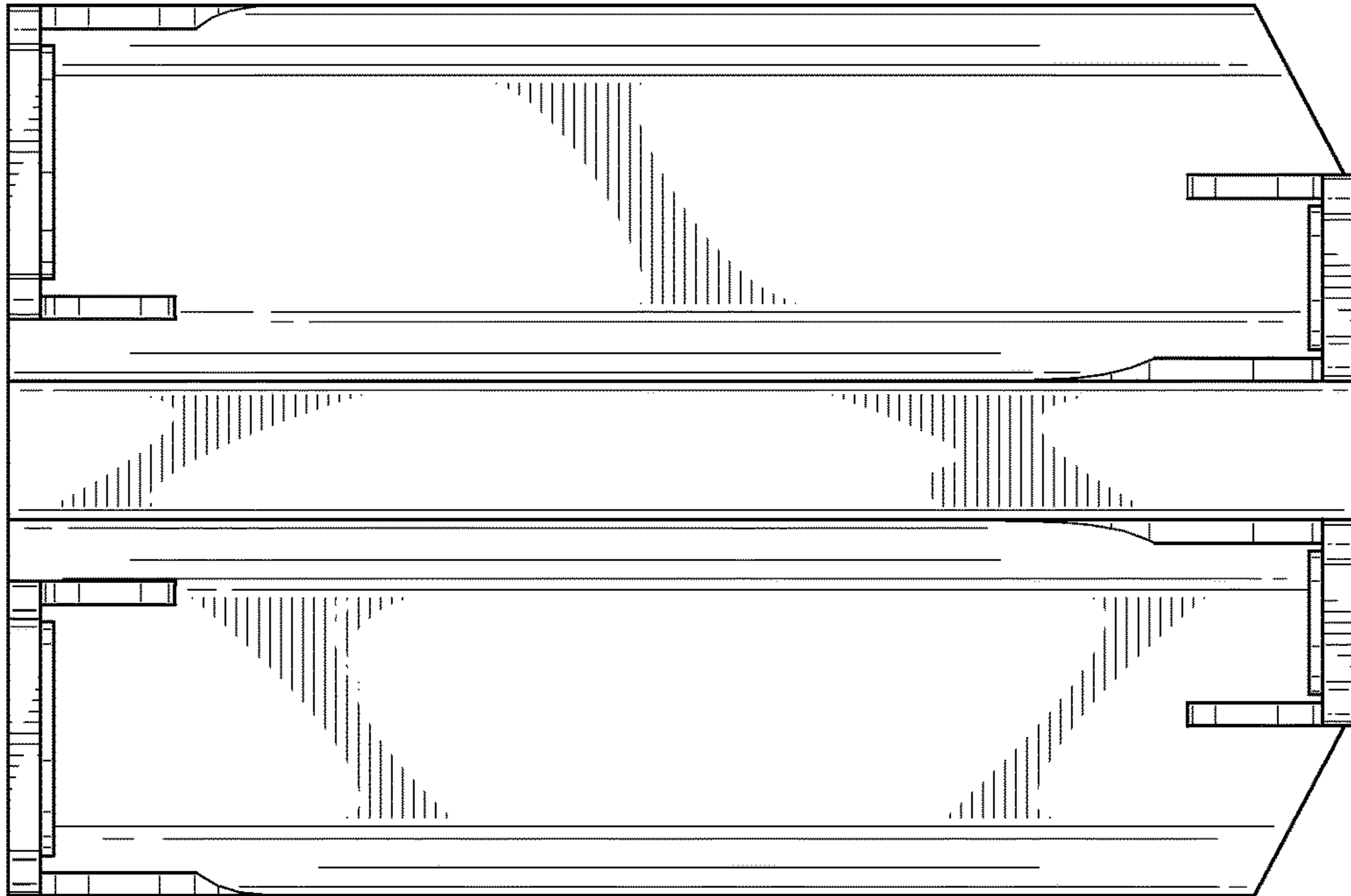


FIG. 4

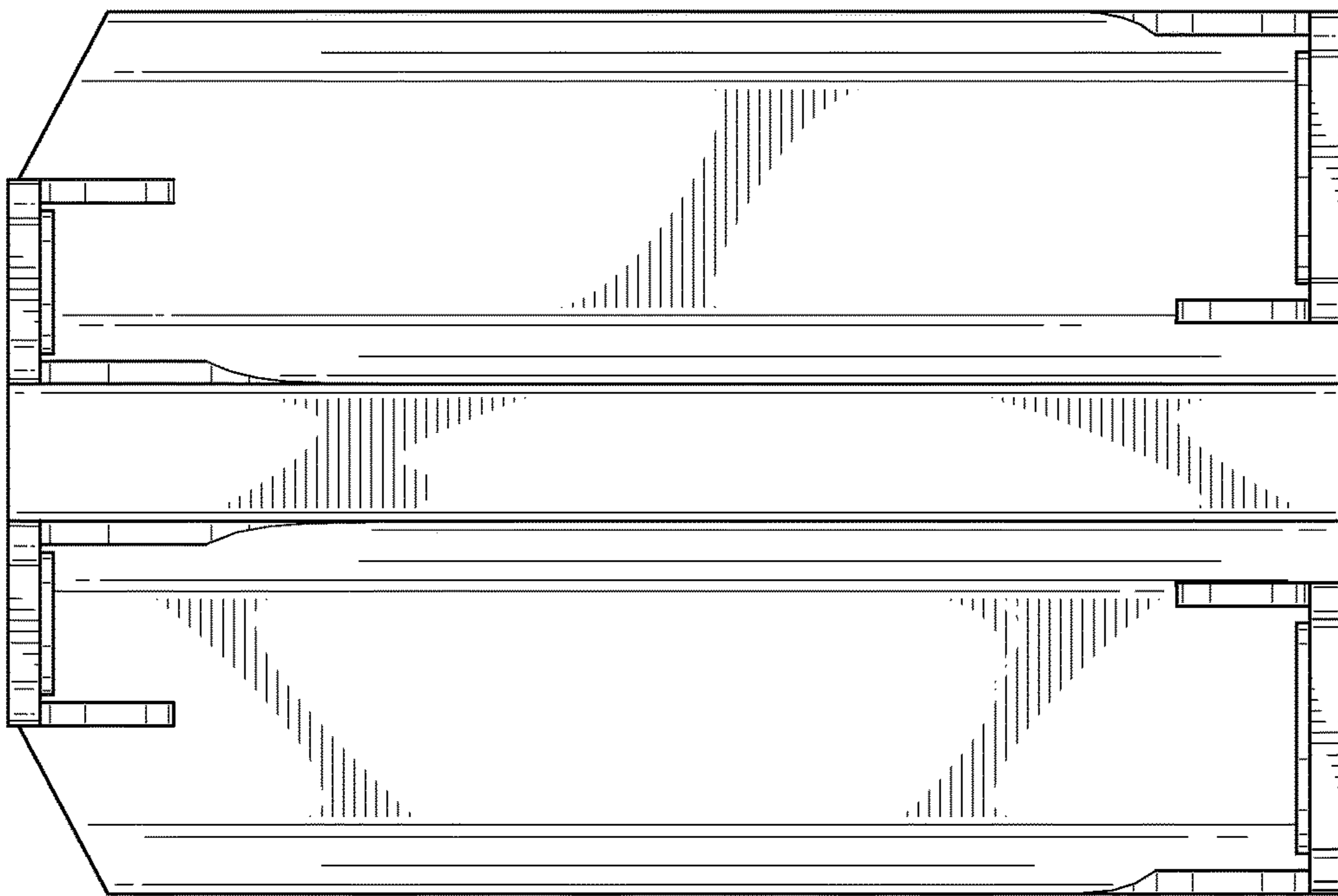


FIG. 5

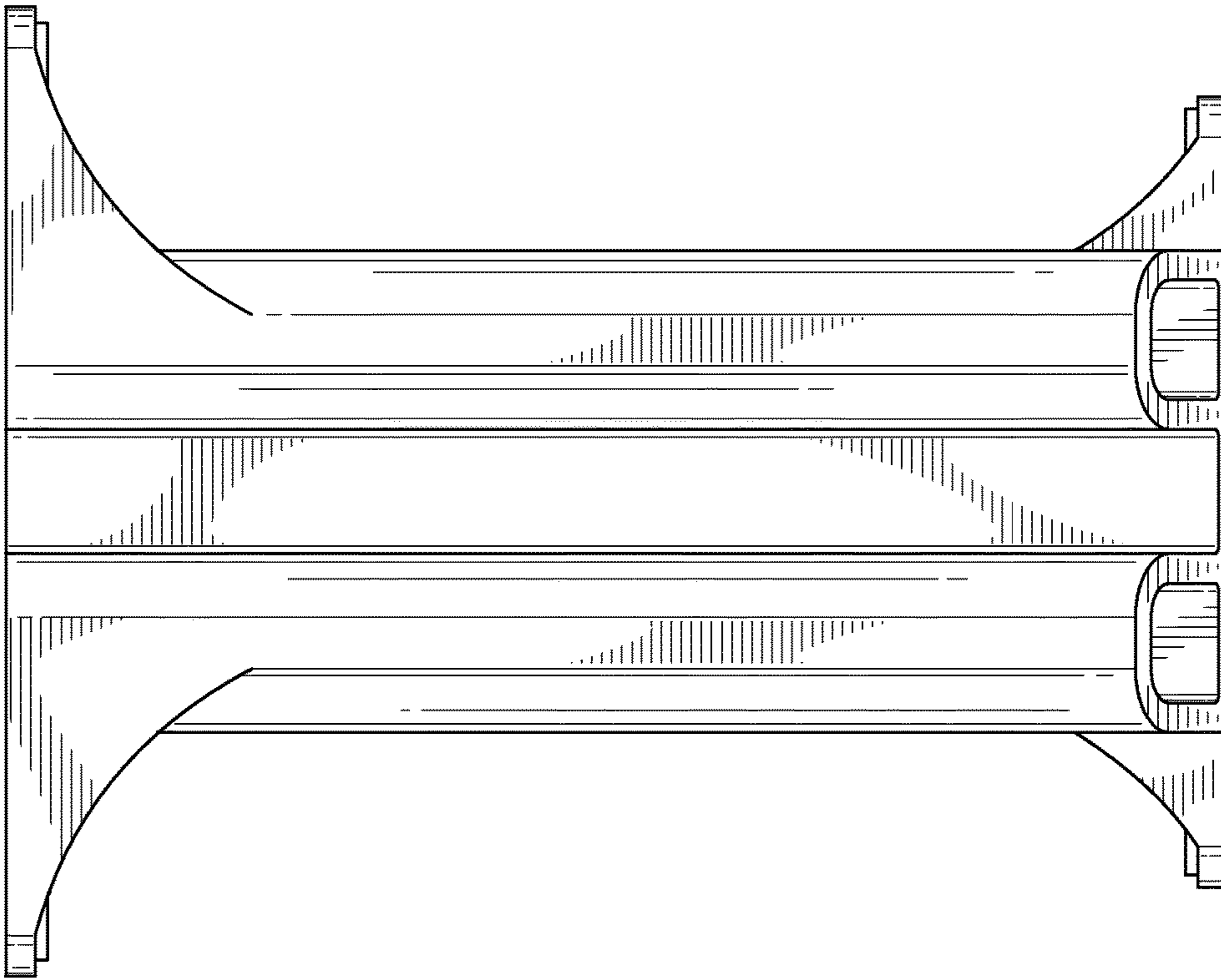


FIG. 6

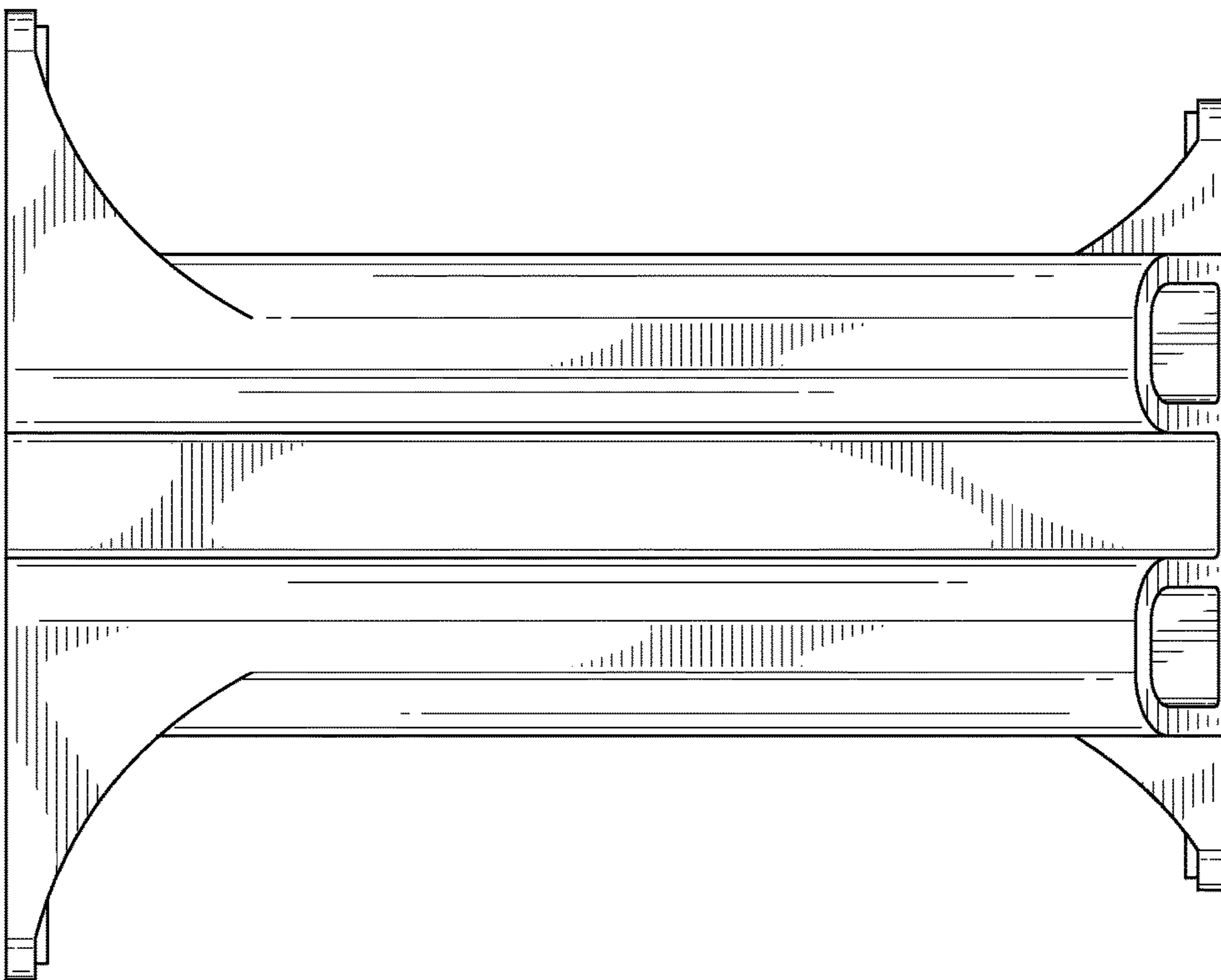


FIG. 7

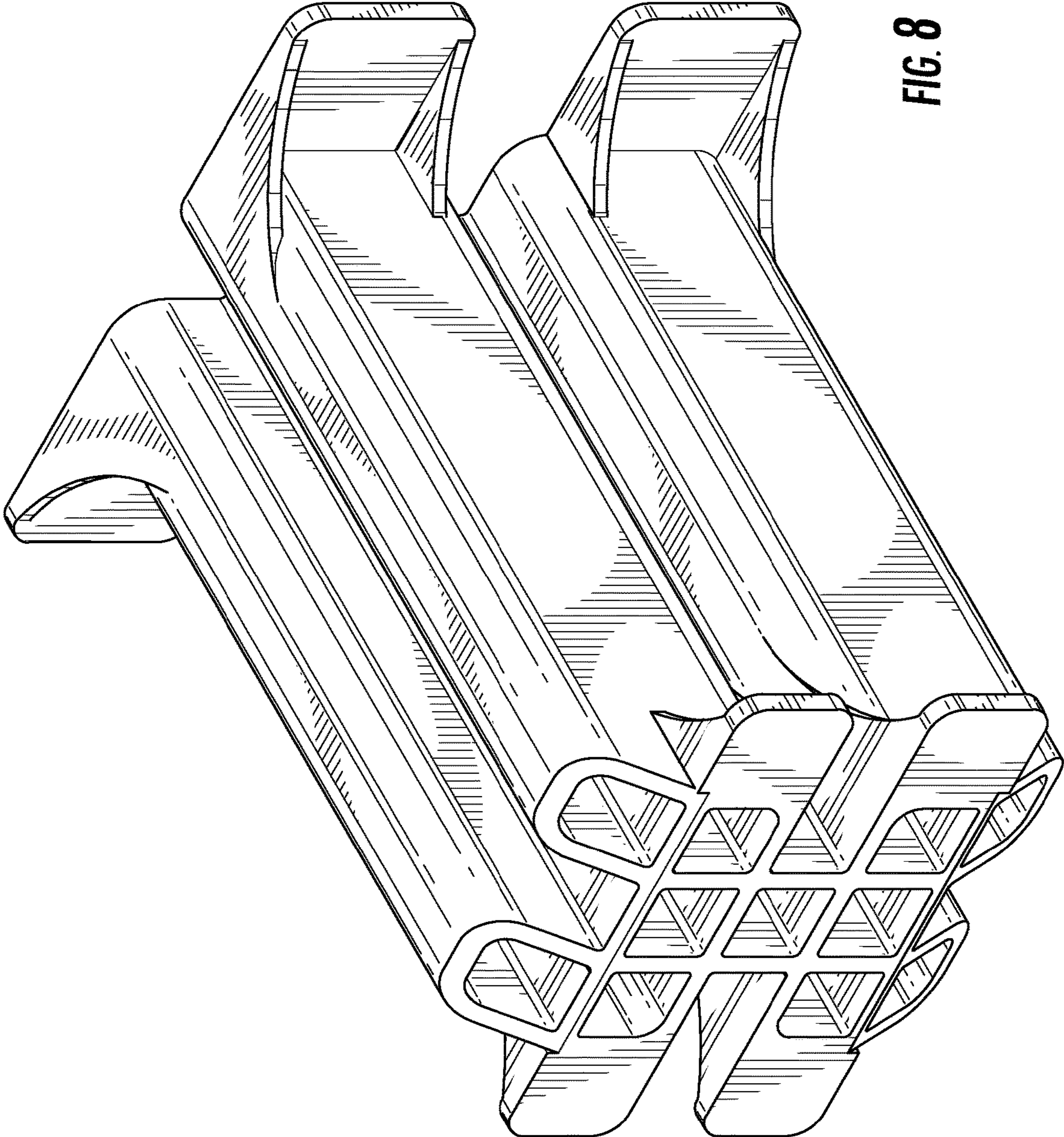


FIG. 8

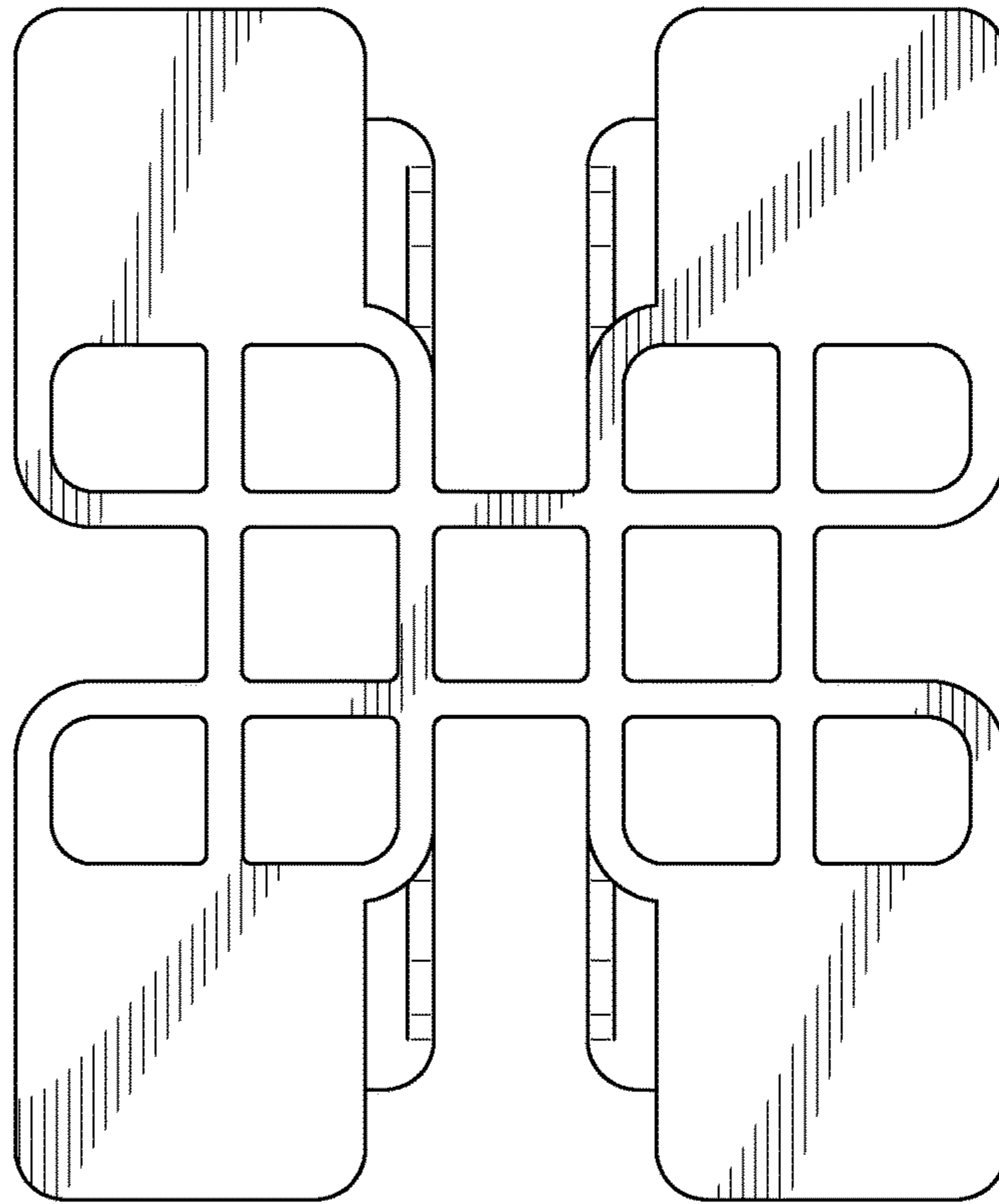


FIG. 9

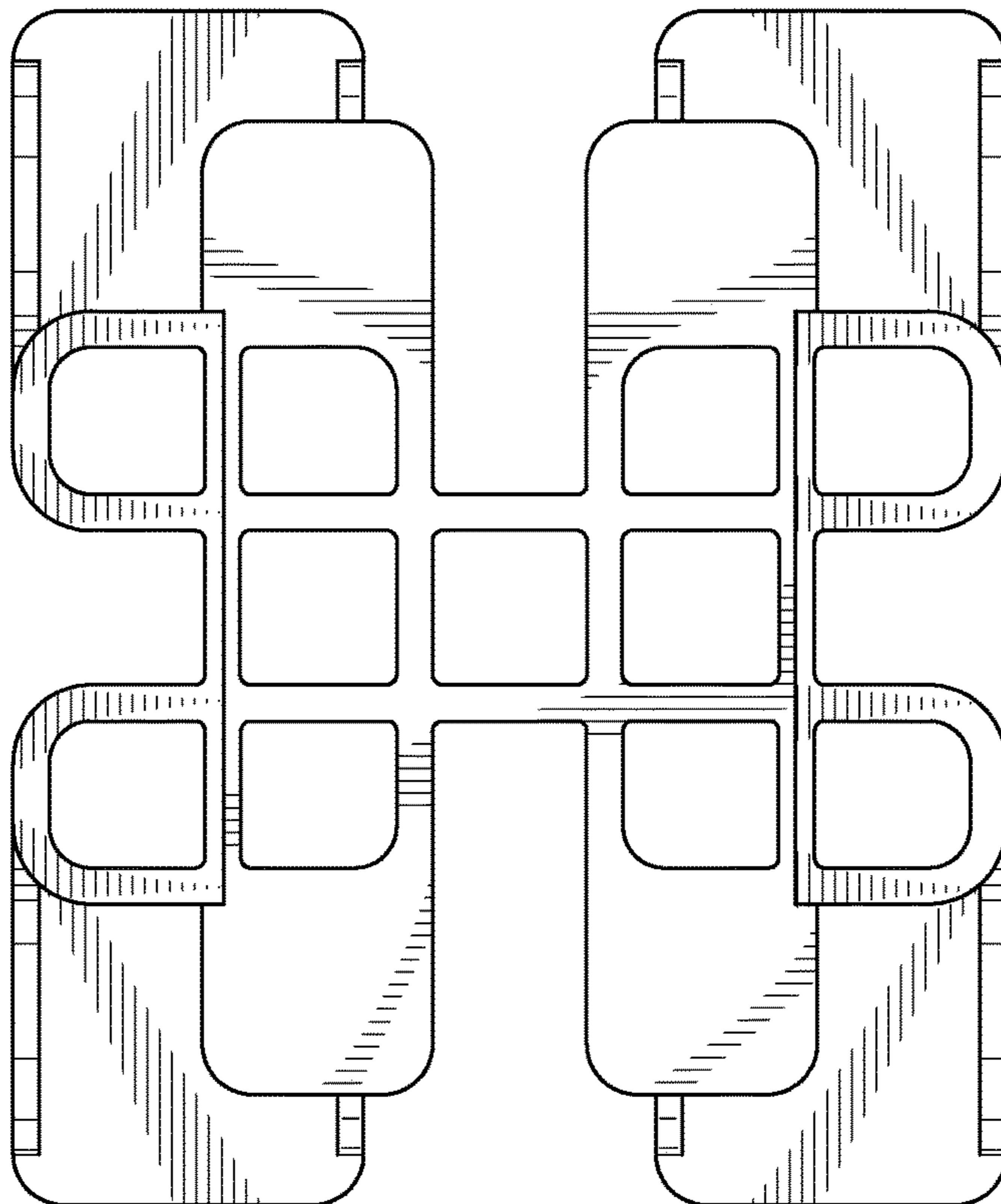


FIG. 10

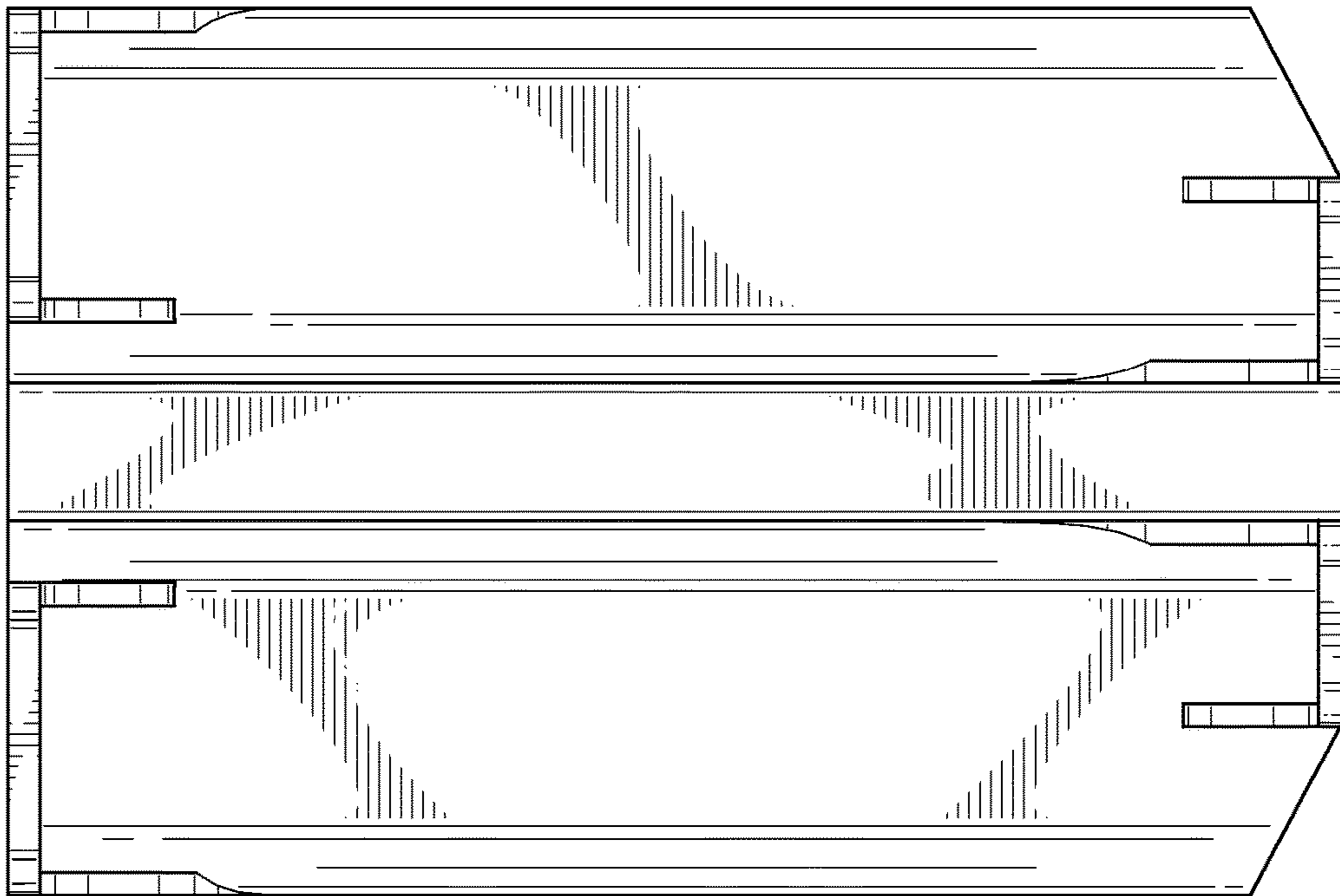


FIG. 11

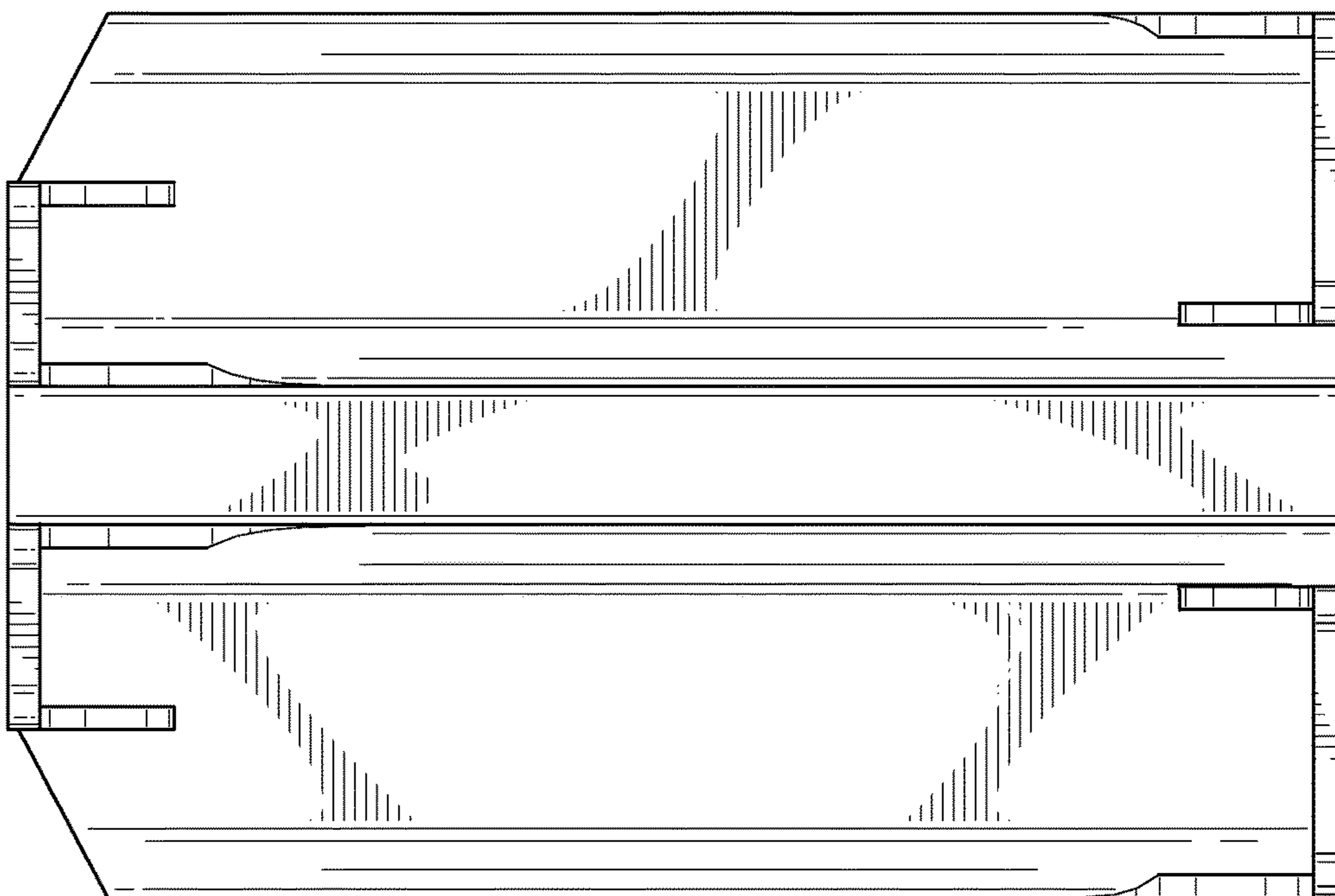


FIG. 12

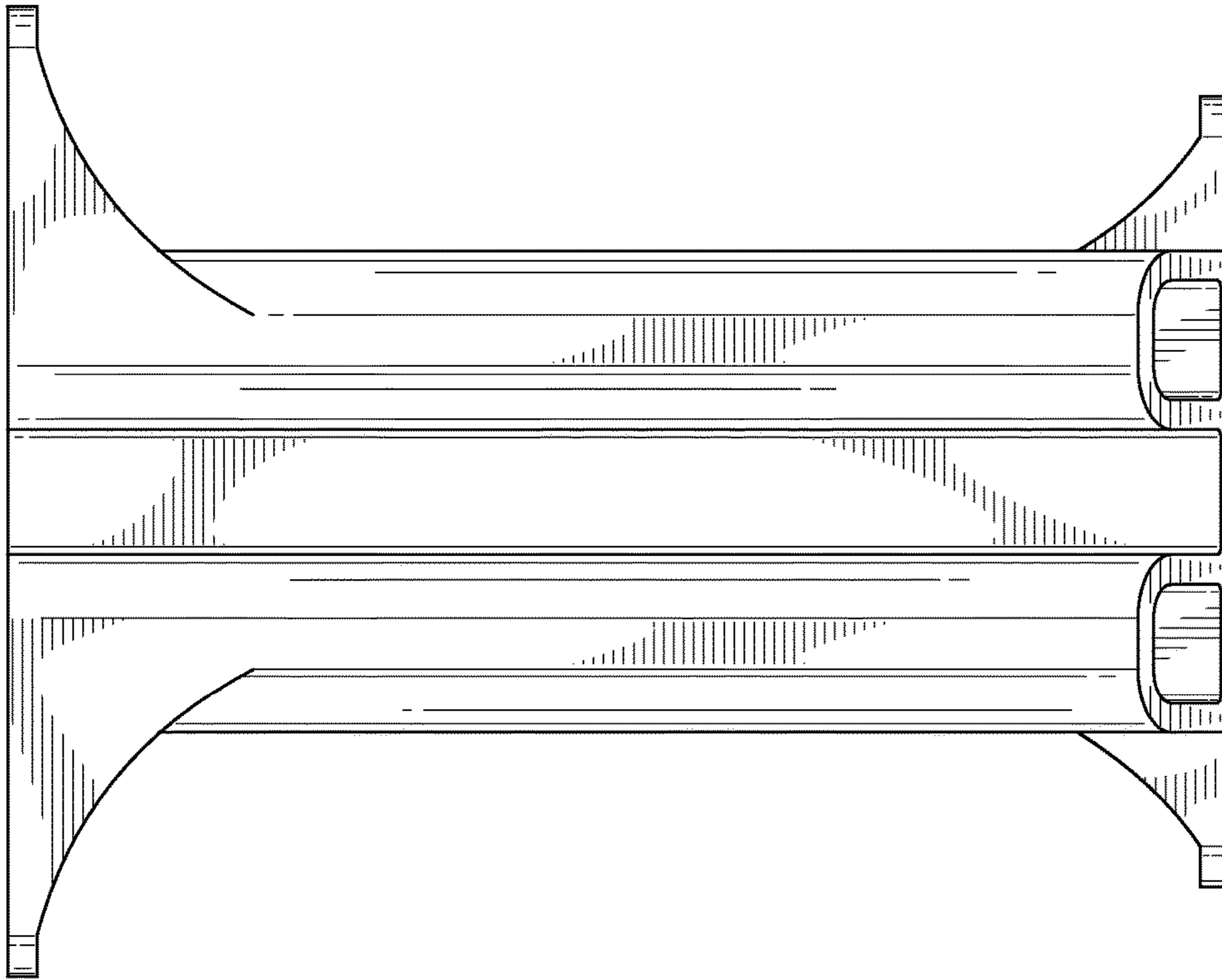


FIG. 14

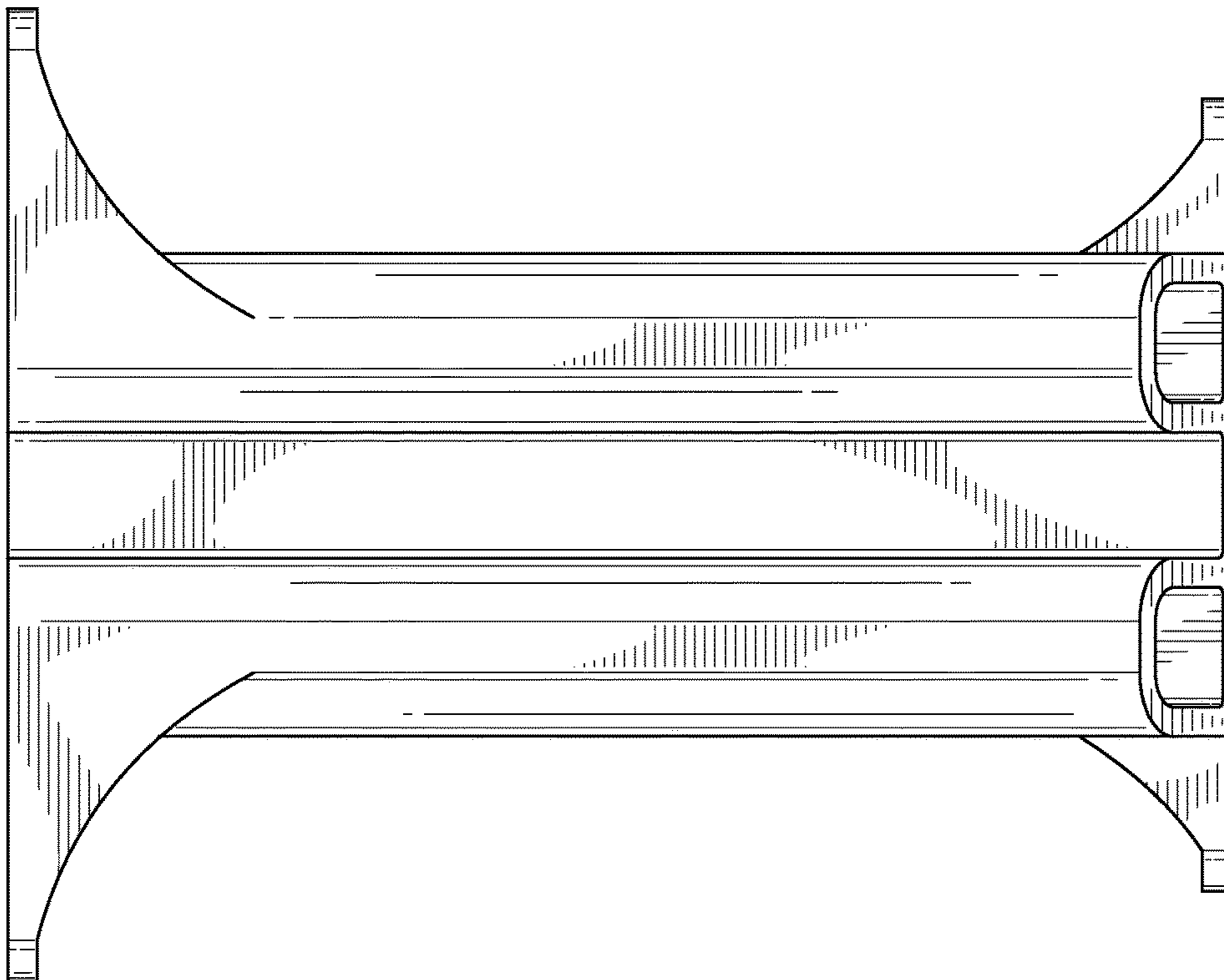


FIG. 13