

US00D779395S

(12) **United States Design Patent** (10) **Patent No.:** **US D779,395 S**  
**Horie** (45) **Date of Patent:** **\*\* Feb. 21, 2017**

(54) **REAR BUMPER FOR AUTOMOBILE**

FOREIGN PATENT DOCUMENTS

(71) Applicant: **Nissan Motor Co., Ltd.**, Yokohama, Kanagawa (JP)

JP	D1302761 S	6/2007
JP	D1315108 S	11/2007
JP	D1321776 S	2/2008
JP	D1334570 S	6/2008
JP	D1389611 S	6/2010
JP	D1444775 S	6/2012
JP	D1458082 S	12/2012
JP	D1465081 S	3/2013
JP	D1479613 S	9/2013
JP	D1498799 S	6/2014
JP	D1498811 S	6/2014
JP	D1504008 S	8/2014
JP	D1504406 S	8/2014
JP	D1524469 S	5/2015
JP	D1531513 S	8/2015
JP	D1549274 S	5/2016

(72) Inventor: **Takeo Horie**, Kanagawa (JP)

(73) Assignee: **Nissan Motor Co., Ltd.**, Yokohama (JP)

(\*\*) Term: **15 Years**

(21) Appl. No.: **29/505,588**

(22) Filed: **Dec. 24, 2015**

(30) **Foreign Application Priority Data**

Jun. 26, 2015 (JP) ..... 2015-014201

(51) **LOC (10) Cl.** ..... **12-16**

(52) **U.S. Cl.**  
USPC ..... **D12/169**

(58) **Field of Classification Search**  
USPC .... D12/169, 216, 90-92, 86, 171, 196, 163;  
293/102, 113, 115, 117, 120; 296/180.1,  
296/180.2

CPC ..... B60R 19/02; B60R 19/04; B62D 25/08  
See application file for complete search history.

(56) **References Cited**

U.S. PATENT DOCUMENTS

D626,042 S	10/2010	Yamazaki et al.	
D683,671 S *	6/2013	Platto	D12/169
D684,905 S *	6/2013	Tase	D12/169
D692,808 S *	11/2013	Morioka	D12/169
D698,711 S	2/2014	Endo et al.	
D713,766 S	9/2014	Katou et al.	
D718,678 S	12/2014	Ishizuka et al.	
D745,838 S	12/2015	Yamamoto	
D746,188 S	12/2015	Nakagawa et al.	
D773,353 S *	12/2016	Munakata	D12/169

\* cited by examiner

*Primary Examiner* — Melody N Brown

(74) *Attorney, Agent, or Firm* — Global IP Counselors, LLP

(57) **CLAIM**

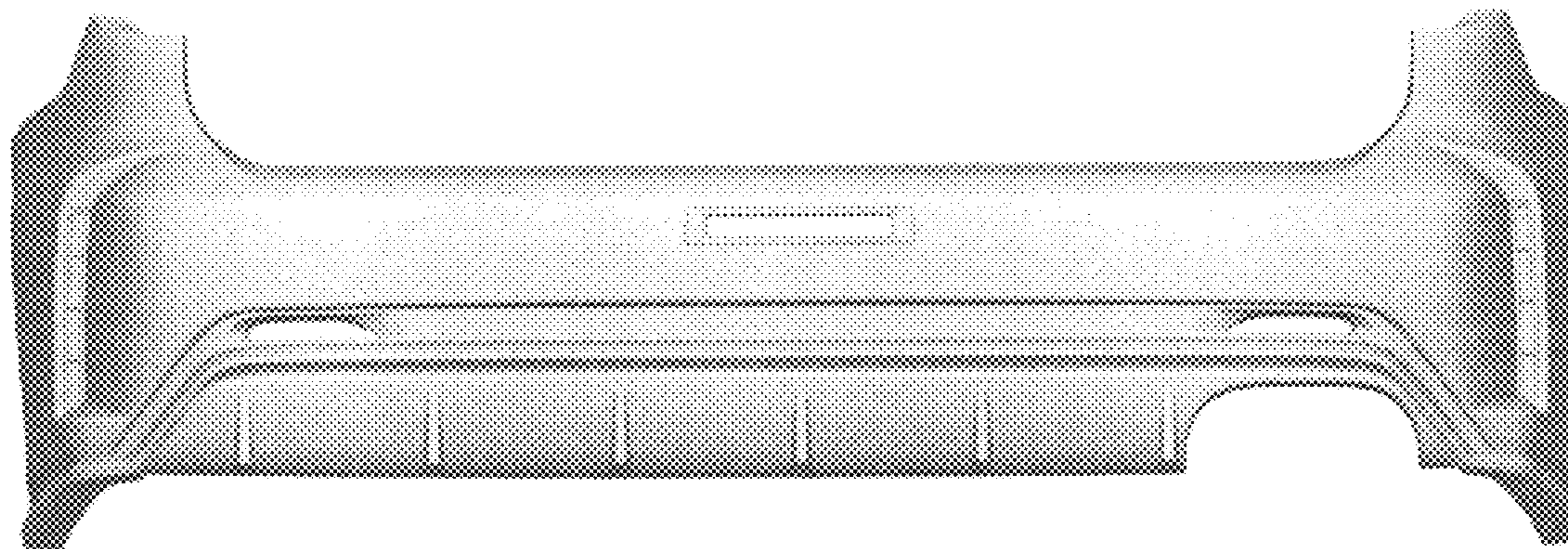
The ornamental design for a rear bumper for an automobile, as shown and described.

**DESCRIPTION**

FIG. 1 is a front elevational view of a rear bumper for automobile showing our new design;  
FIG. 2 is a top plan view thereof;  
FIG. 3 is a bottom plan view thereof;  
FIG. 4 is a right side elevational view thereof;  
FIG. 5 is a left side elevational thereof;  
FIG. 6 is a top, front and right side perspective view thereof;  
and,  
FIG. 7 is a bottom, front and left side perspective view thereof.

The rear view of the rear bumper forms no part of the claimed design since it will not be visible once the rear bumper is mounted to an automobile.

**1 Claim, 7 Drawing Sheets**



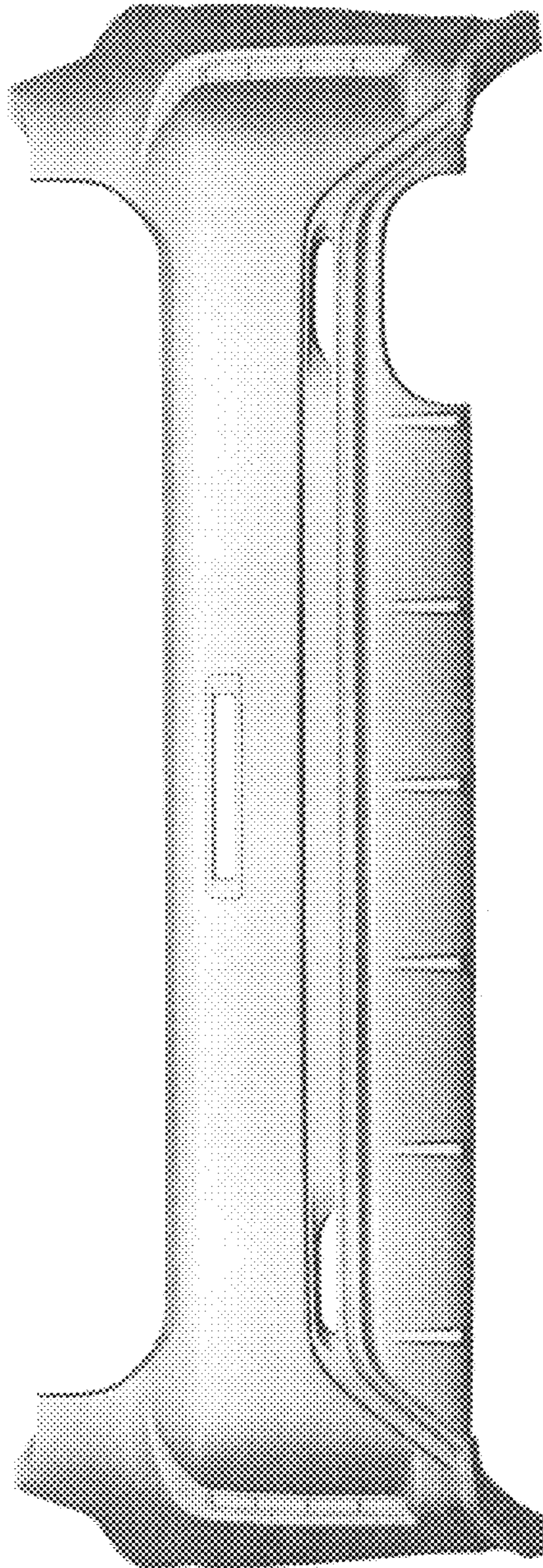


FIG. 1





FIG. 2

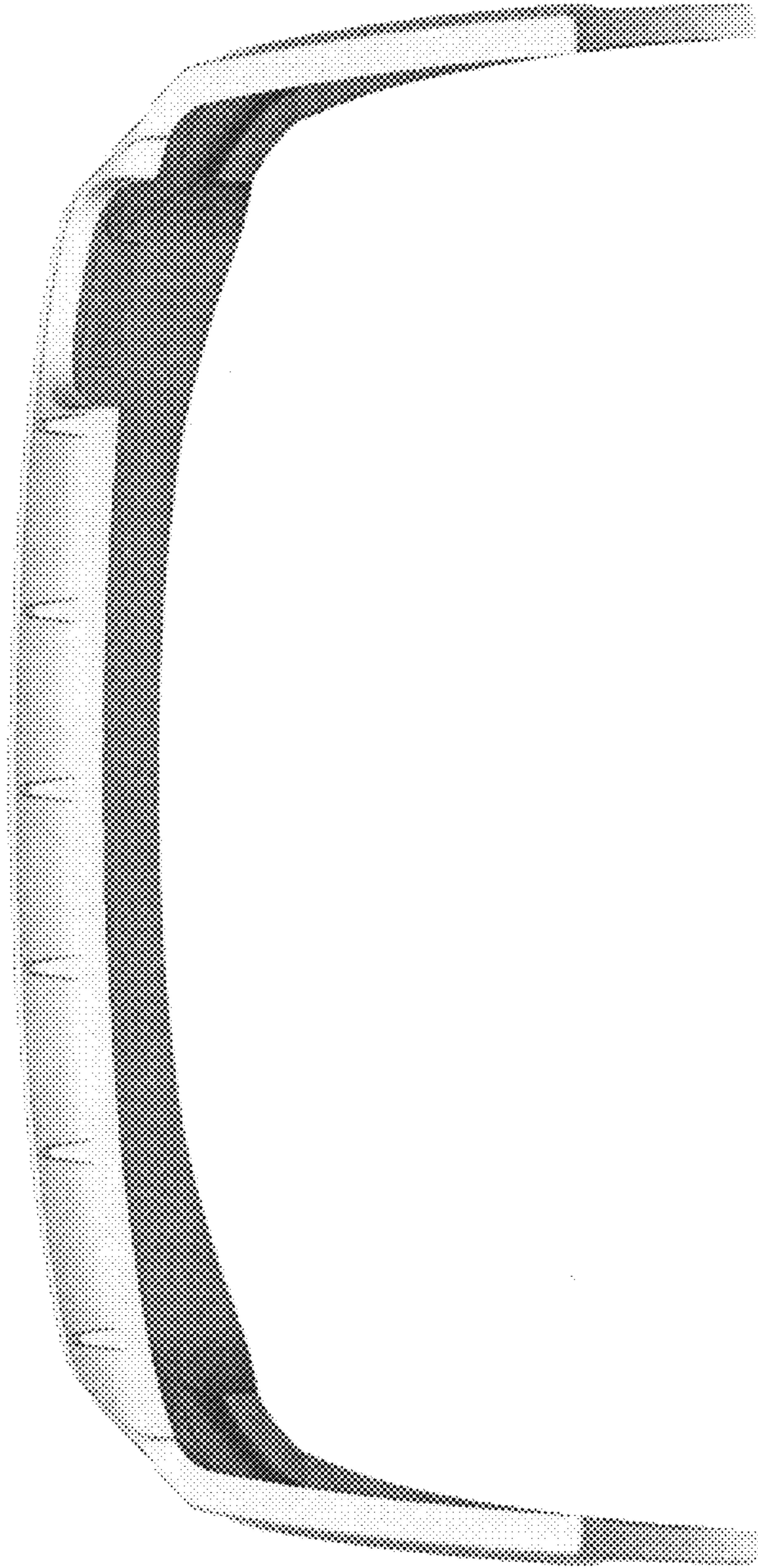


FIG. 3

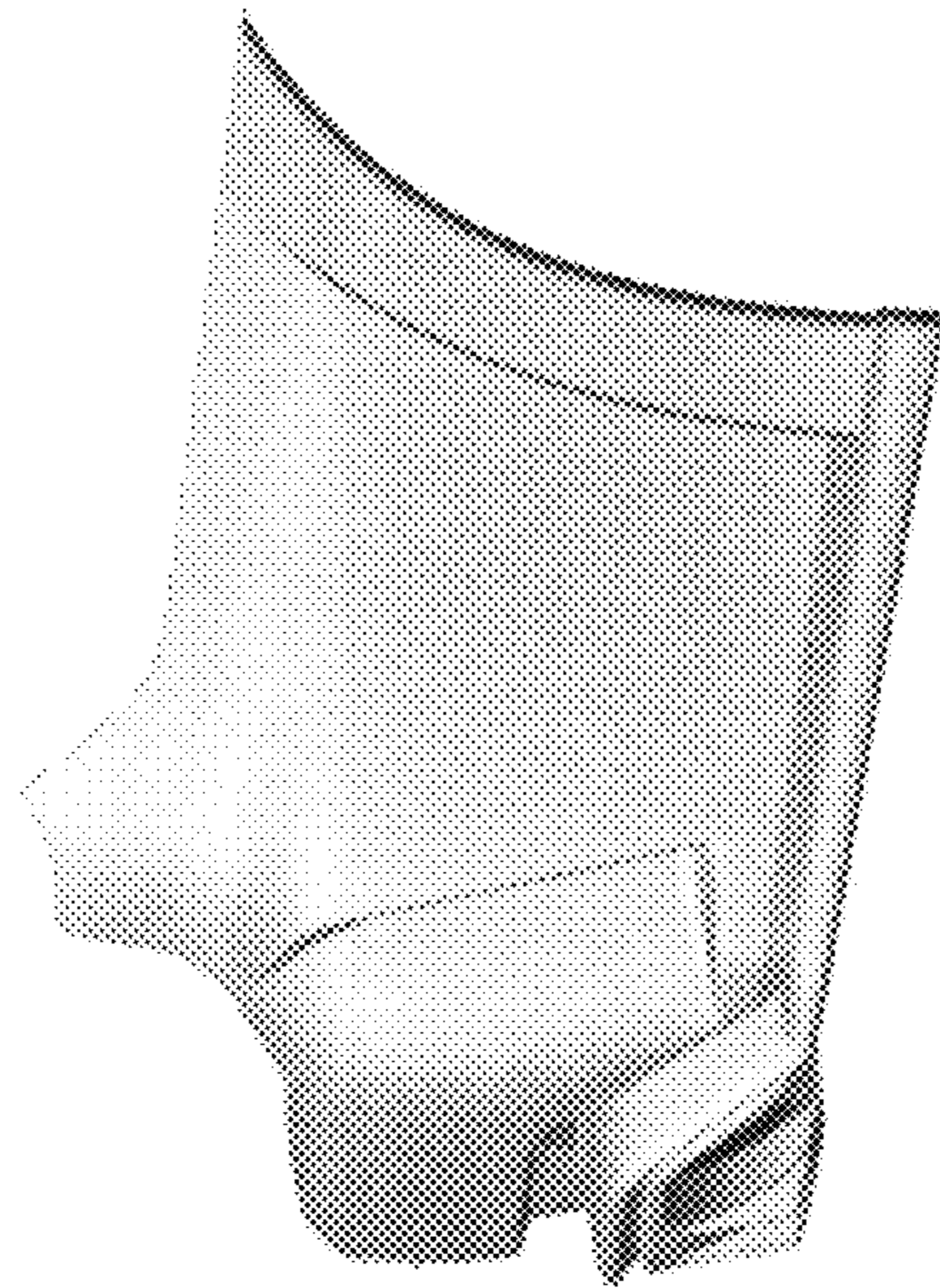


FIG. 4

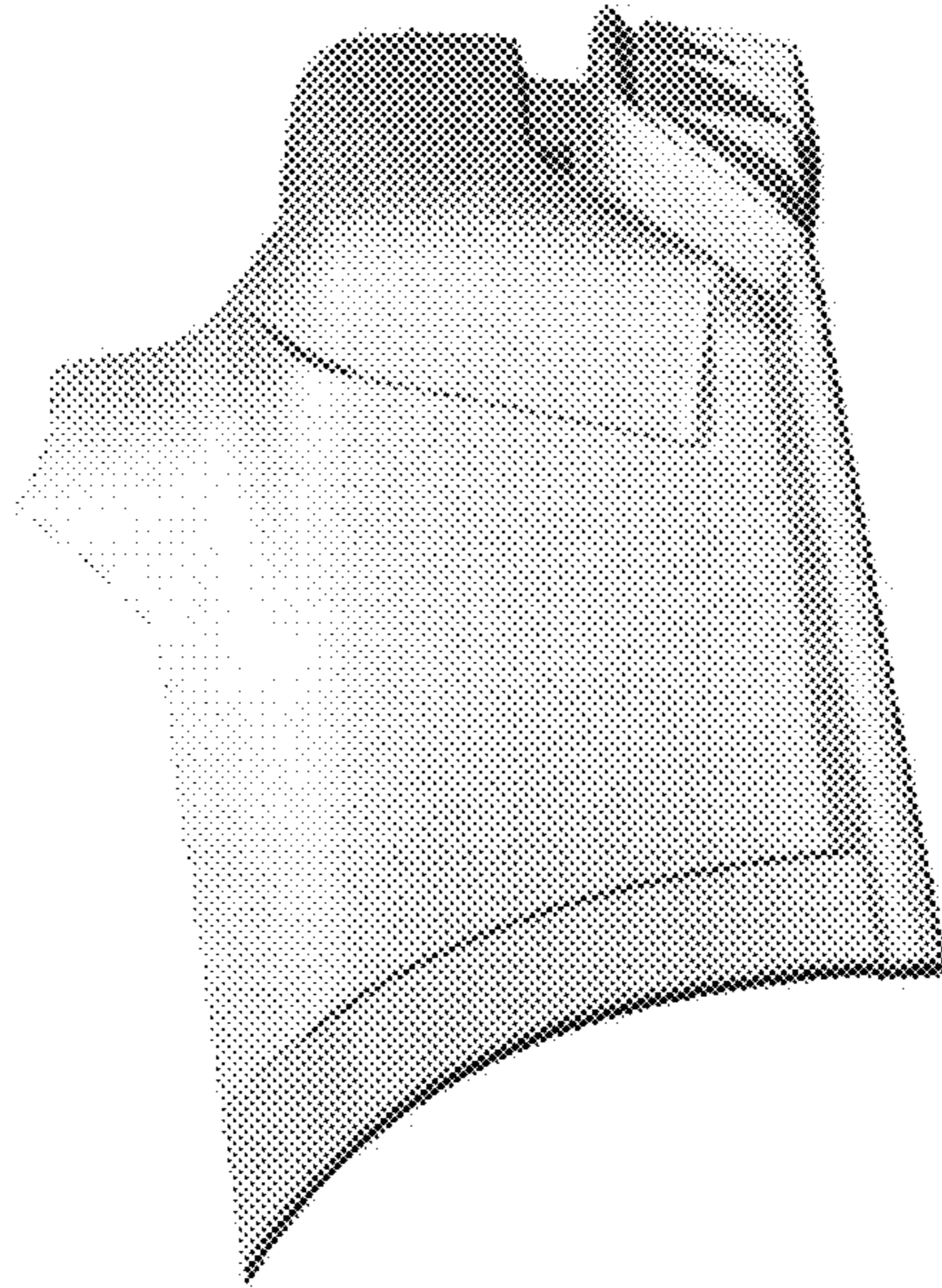


FIG. 5



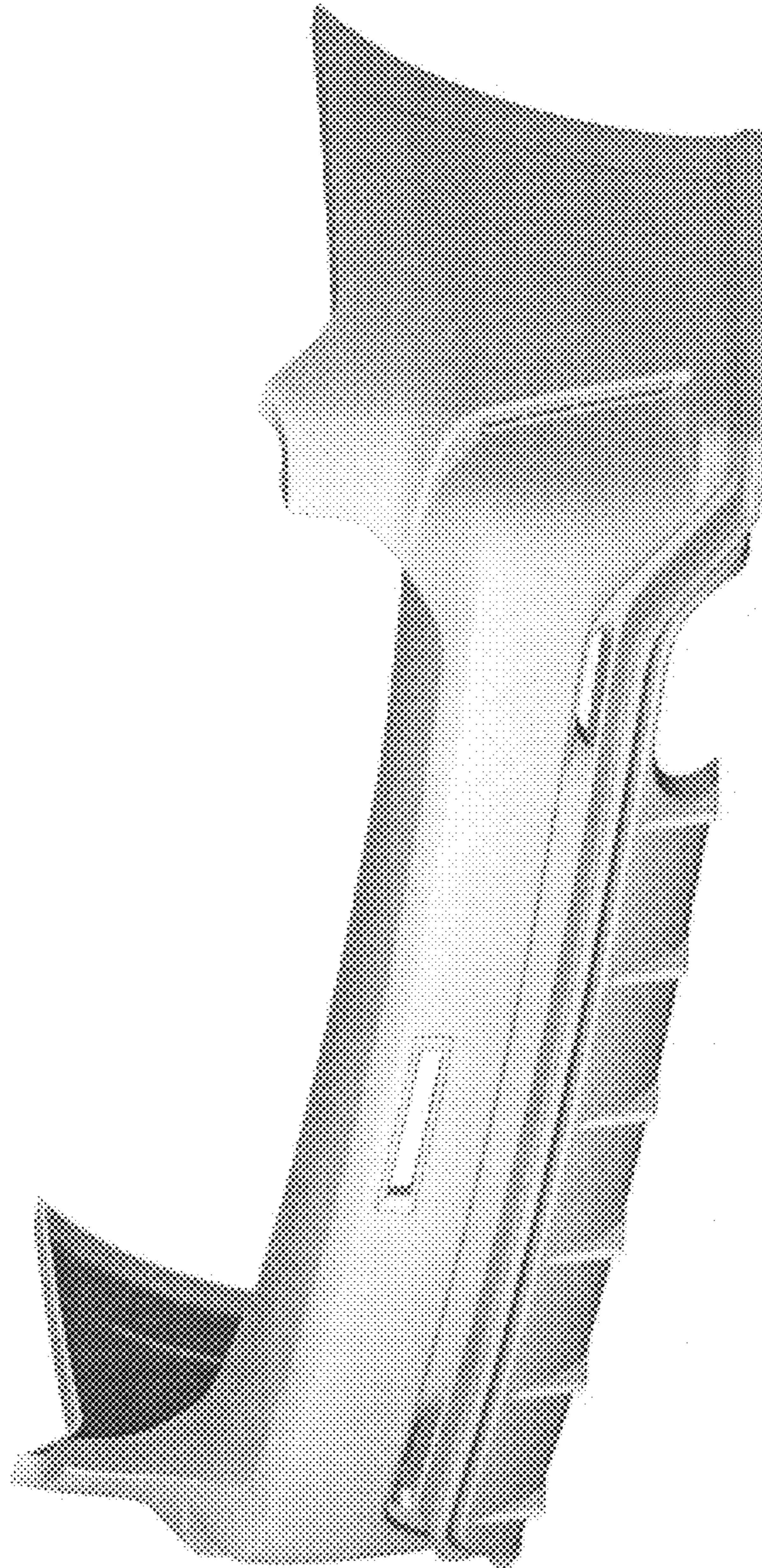


FIG. 6

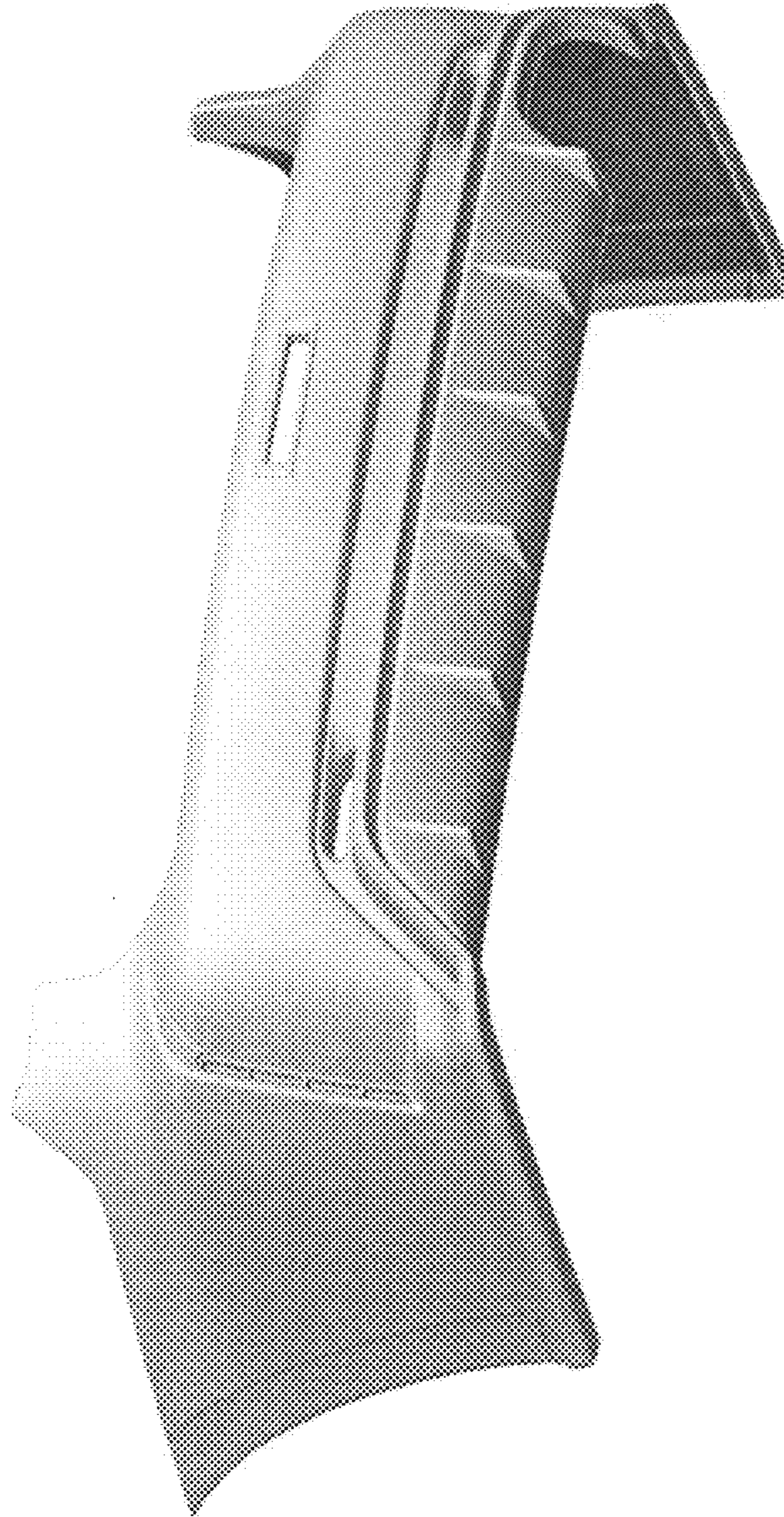


FIG. 7