



US00D779392S

(12) **United States Design Patent**
Hare

(10) **Patent No.:** **US D779,392 S**

(45) **Date of Patent:** **** Feb. 21, 2017**

(54) **VEHICLE BUMP STOP KIT**

(71) Applicant: **Addictive Desert Designs, LLC**, Mesa, AZ (US)

(72) Inventor: **Jared A Hare**, Mesa, AZ (US)

(73) Assignee: **Addictive Desert Designs LLC**, Mesa, AZ (US)

(**) Term: **15 Years**

(21) Appl. No.: **29/529,151**

(22) Filed: **Jun. 4, 2015**

(51) **LOC (10) Cl.** **12-16**

(52) **U.S. Cl.**
USPC **D12/159**

(58) **Field of Classification Search**
USPC D12/159, 174-175; D21/763
CPC B62D 1/046; B62D 1/185; B62D 1/195;
B62D 1/187; B60W 10/20; B60W
2540/18; B60G 11/22; B60G 2204/125;
B60G 2202/143; B60G 2202/142; B60G
2204/41; B60G 2202/14; B60G 2206/73
See application file for complete search history.

(56) **References Cited**

U.S. PATENT DOCUMENTS

8,272,653 B2* 9/2012 Falkner B60G 11/54
280/124.145
8,523,208 B2* 9/2013 Rezania B60G 3/145
267/257

8,998,260 B2* 4/2015 Kausch B62D 21/11
280/124.109
2009/0173033 A1* 7/2009 Baxter, Jr. A63J 1/00
52/646
2016/0031277 A1* 2/2016 Verbowski B60G 9/003
280/124.116

* cited by examiner

Primary Examiner — Michael A Pratt

(74) *Attorney, Agent, or Firm* — Venjuris PC; Michael F Campillo

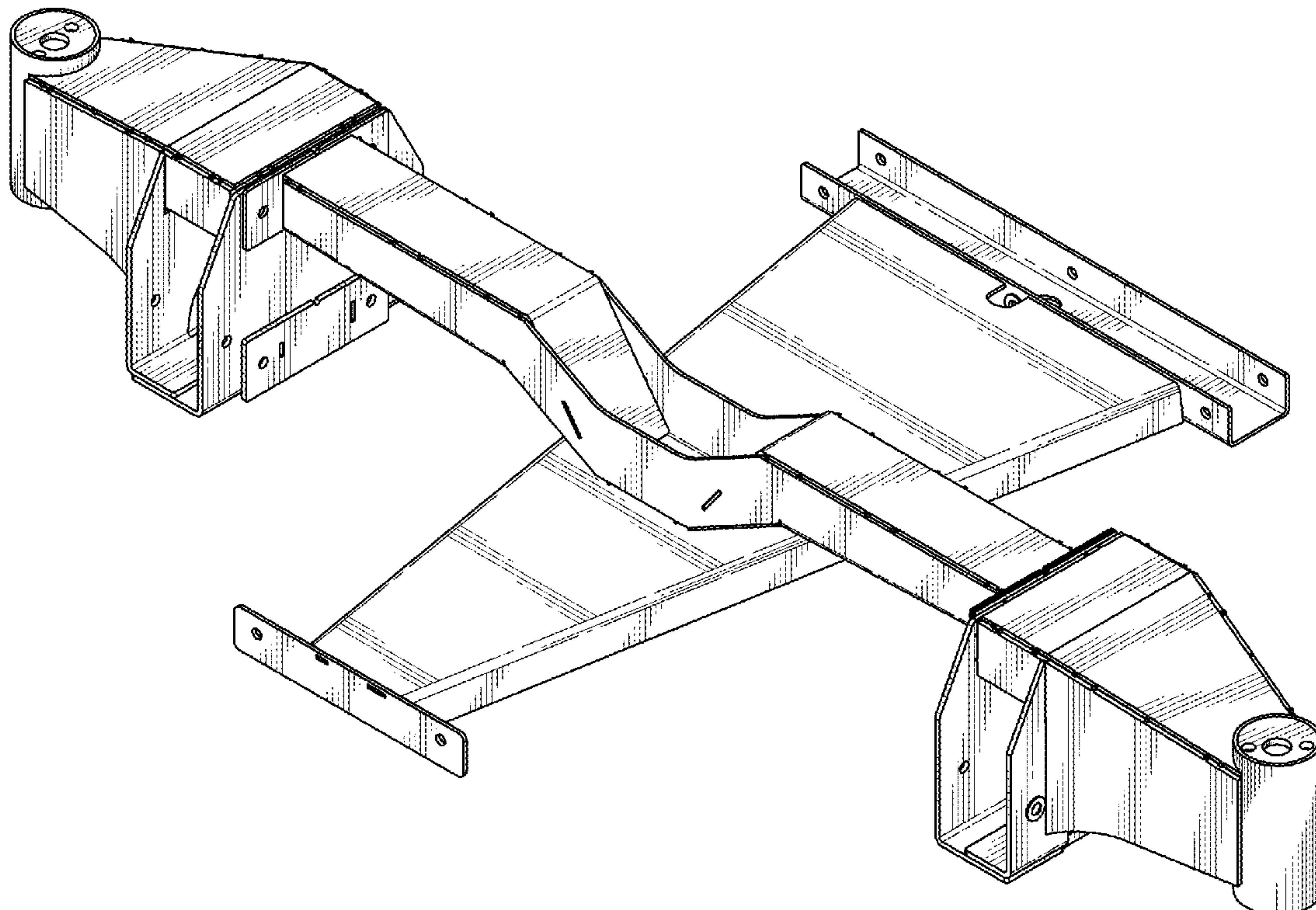
(57) **CLAIM**

The ornamental design for a vehicle bump stop kit, as shown and described.

DESCRIPTION

FIG. 1 is a perspective view of a vehicle bump stop kit embodying the new design;
FIG. 2 is front elevational view;
FIG. 3 is a rear elevational view;
FIG. 4 is a left side elevational view;
FIG. 5 is a right side elevational view;
FIG. 6 is a top plan view;
FIG. 7 is a bottom plan view; and,
FIG. 8 is another perspective view of the new design.

1 Claim, 6 Drawing Sheets



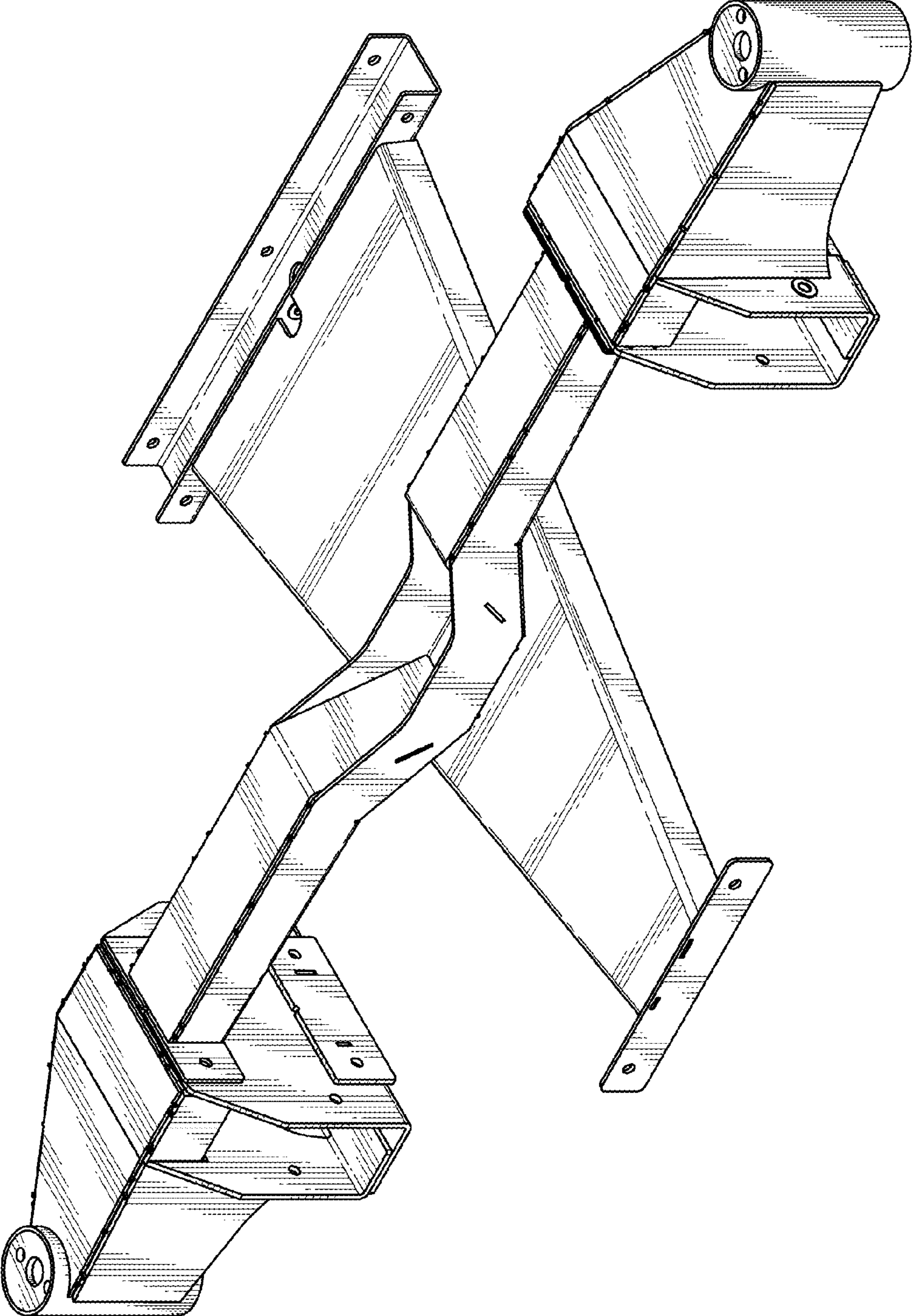


FIG. 1

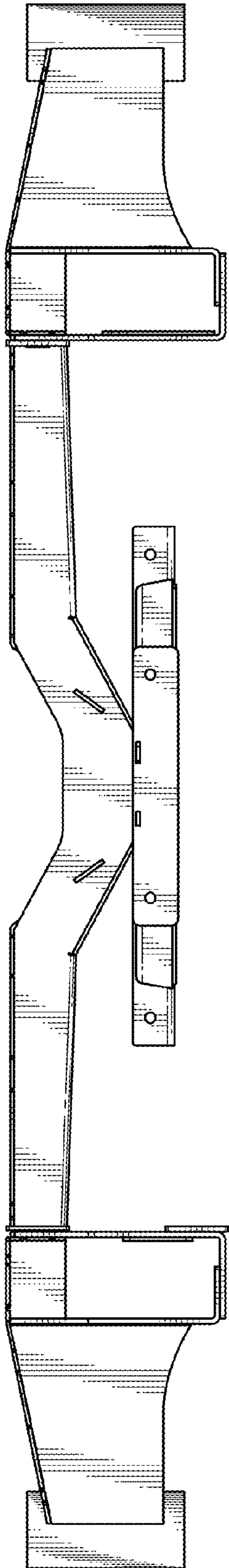


FIG. 2

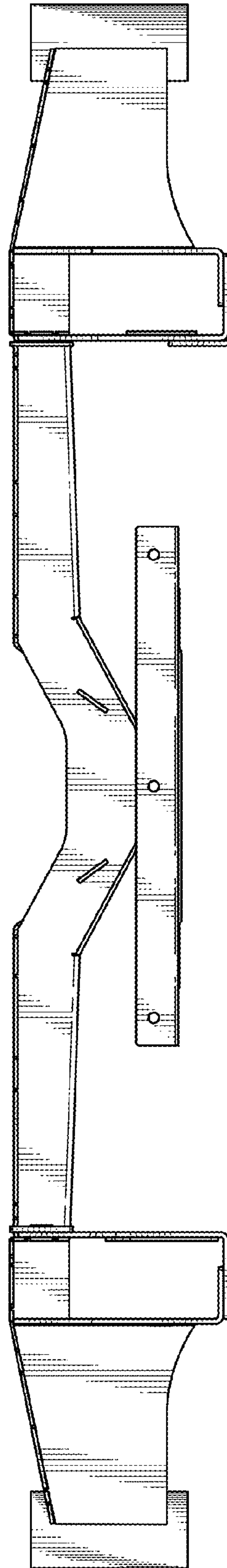


FIG. 3

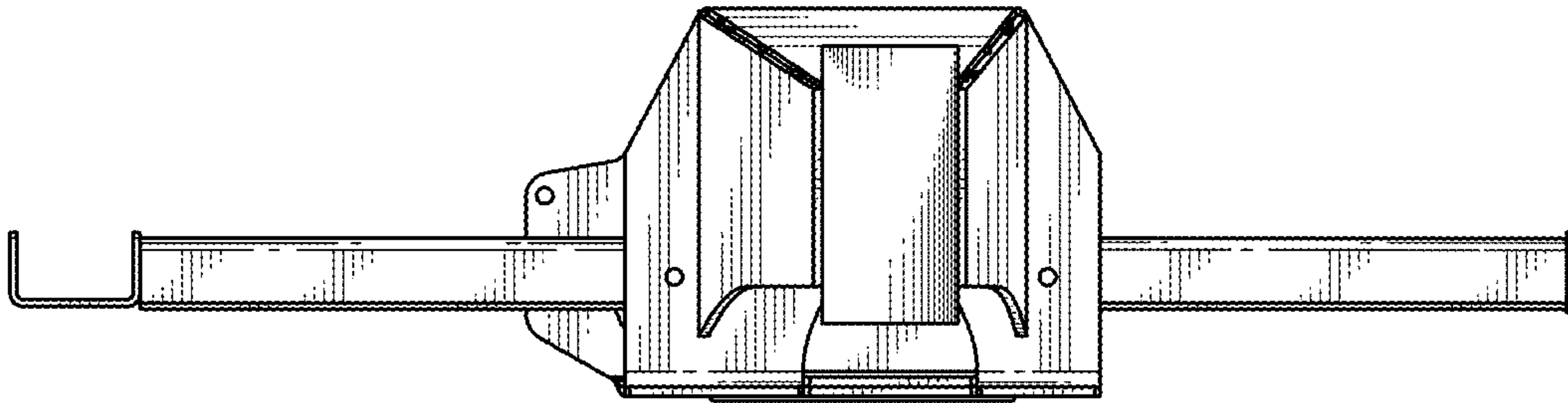


FIG. 4

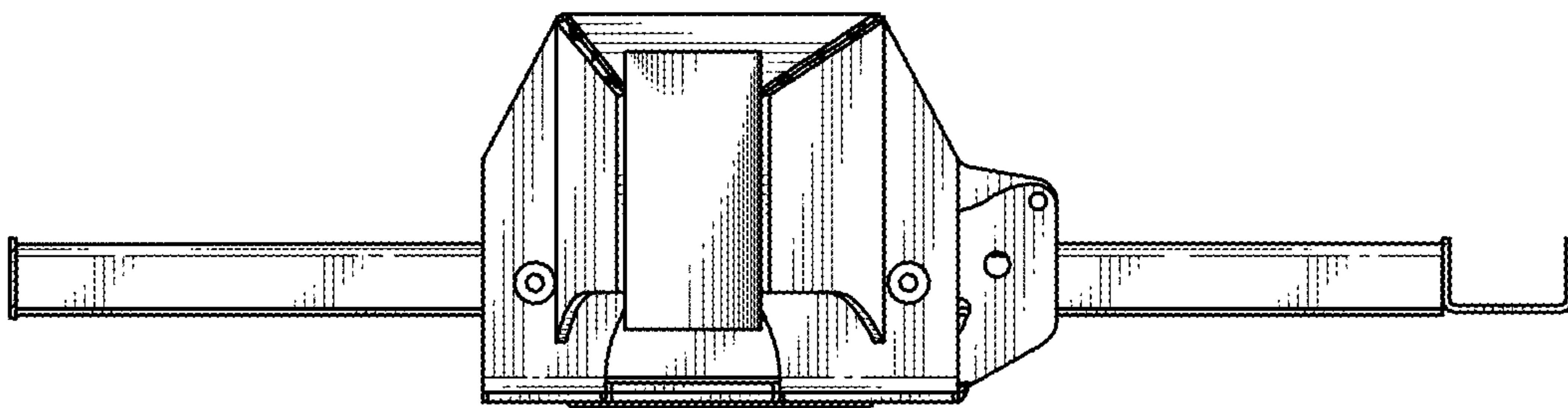


FIG. 5

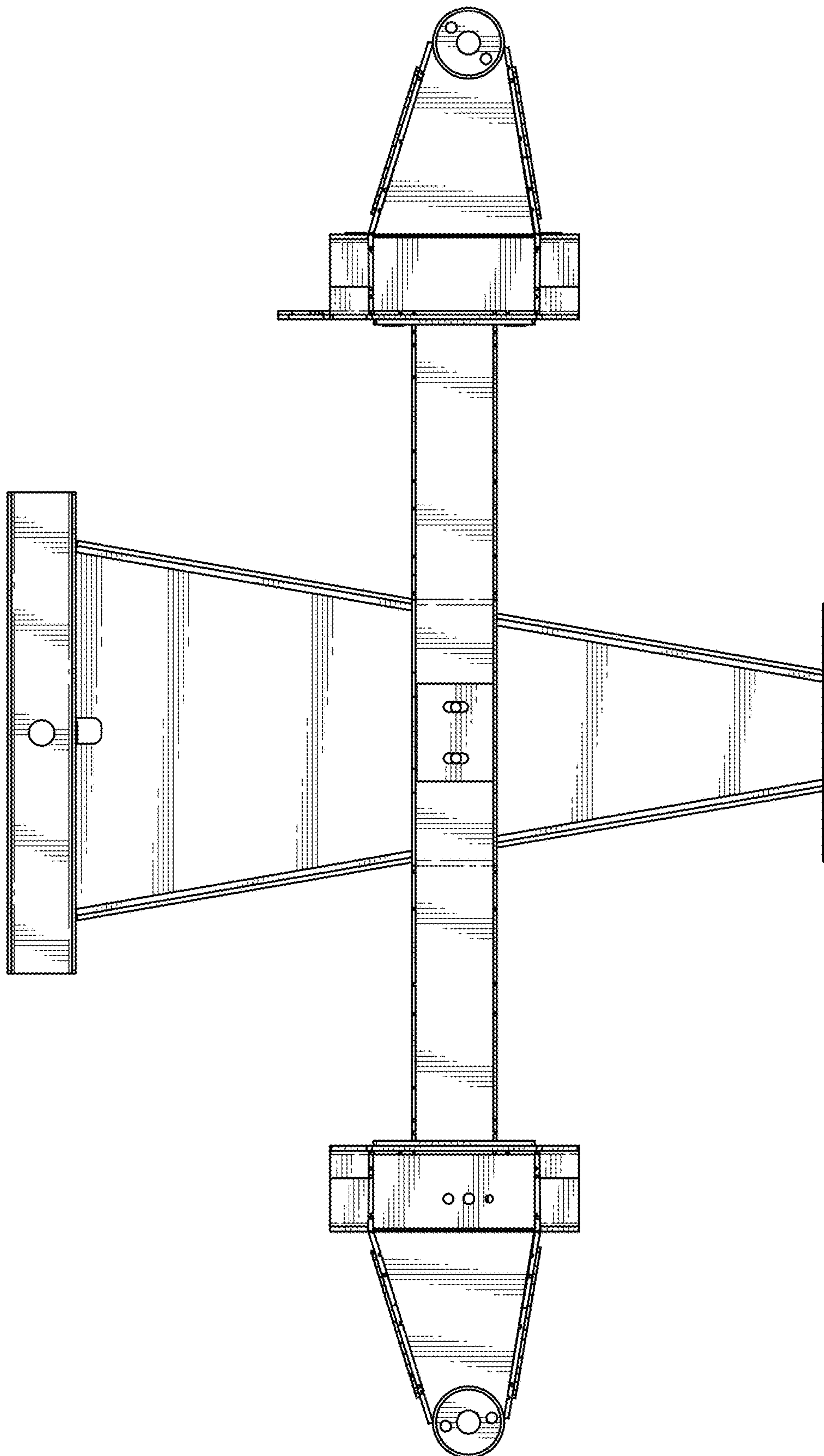


FIG. 6

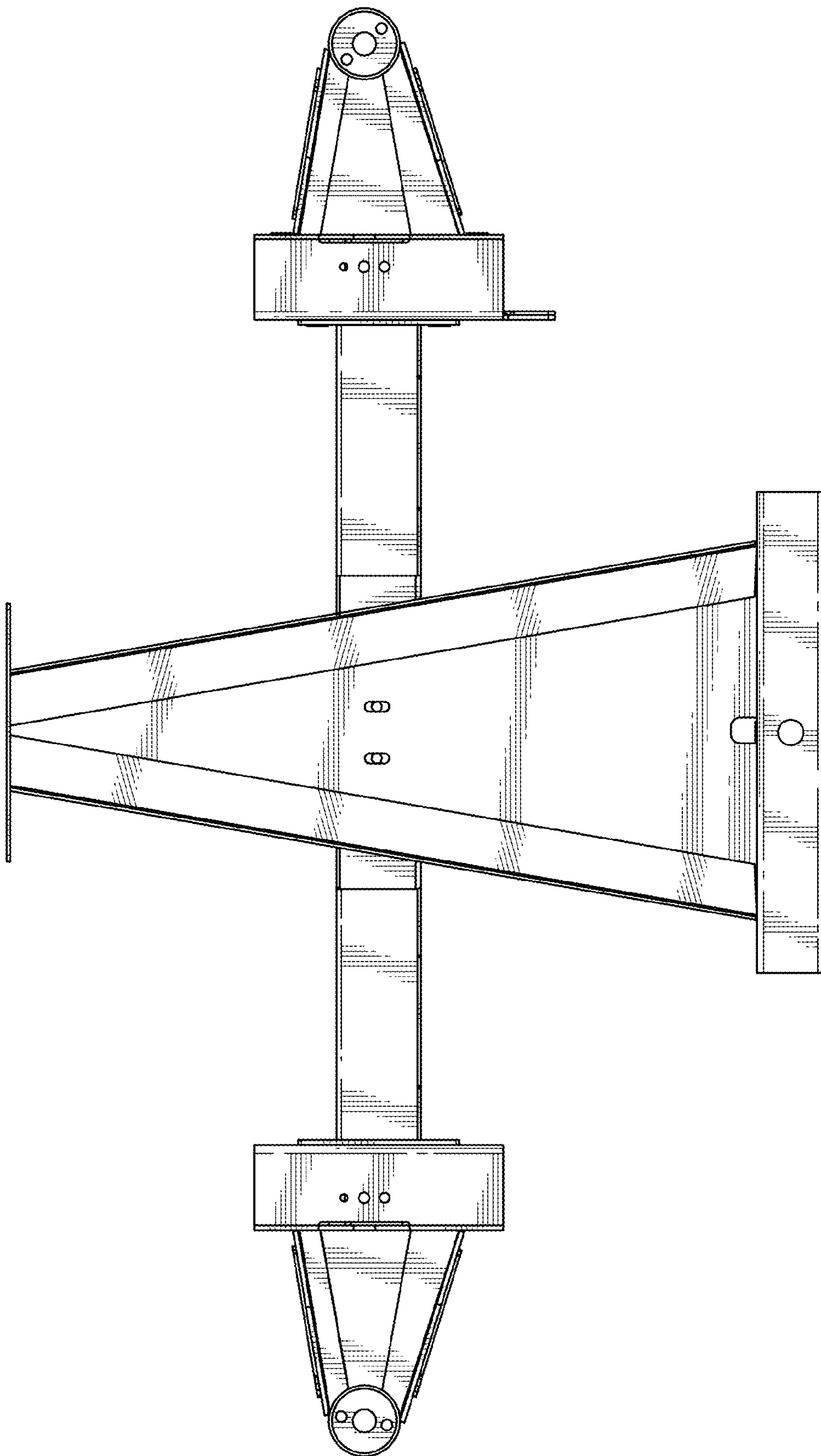


FIG. 7

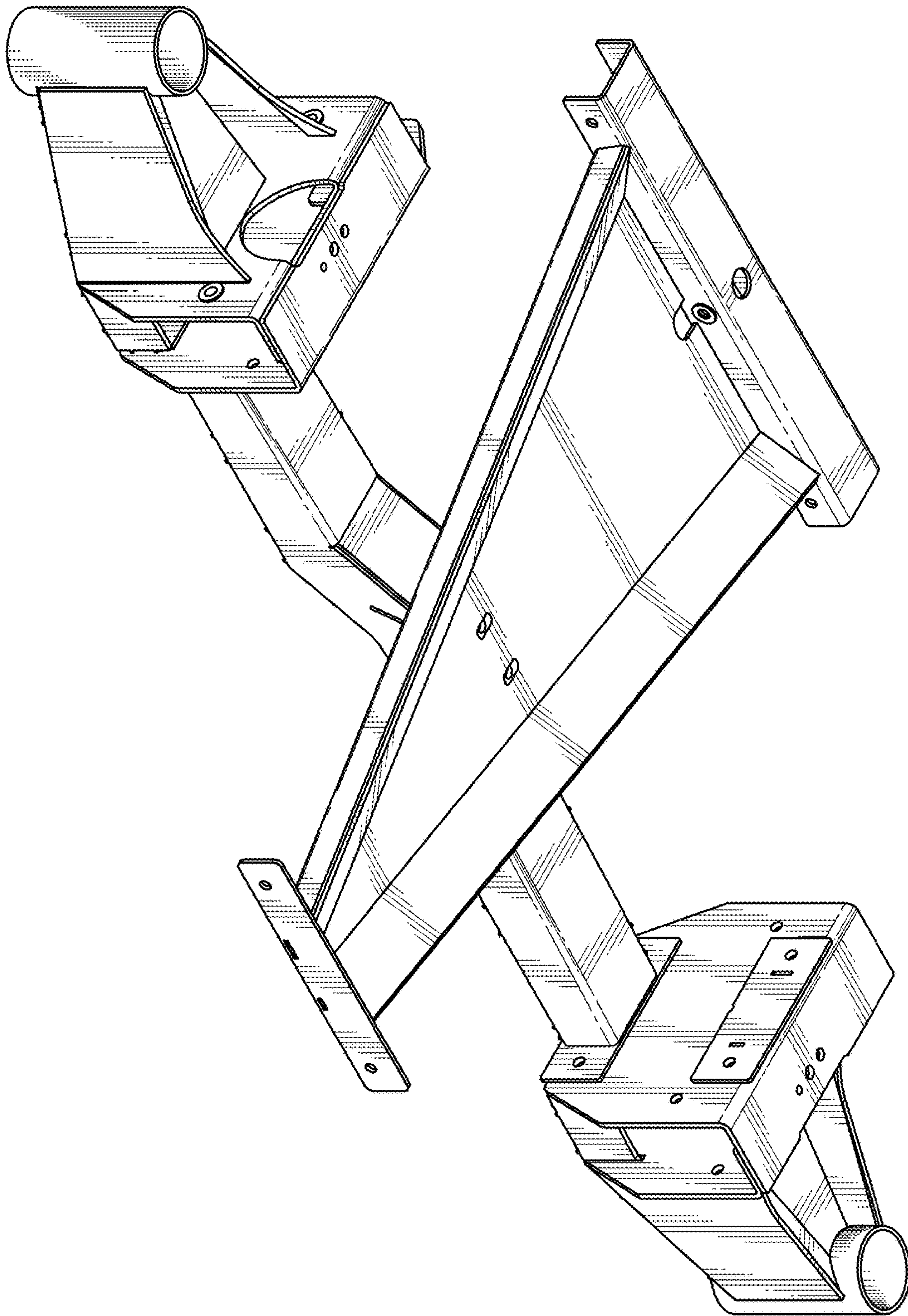


FIG. 8