



US00D779390S

(12) **United States Design Patent**  
**Shentu**

(10) **Patent No.:** **US D779,390 S**

(45) **Date of Patent:** **\*\* Feb. 21, 2017**

- (54) **MOTOR FOR WHEELCHAIR**
- (71) Applicant: **ZHEJIANG LINIX MOTOR CO., LTD.**, Dongyang, Zhejiang Province (CN)
- (72) Inventor: **Jun Shentu**, Dongyang (CN)
- (73) Assignee: **ZHEJIANG LINIX MOTOR CO., LTD.**, Dongyang (CN)

(\*\*) Term: **15 Years**

(21) Appl. No.: **29/532,261**

(22) Filed: **Jul. 3, 2015**

(51) **LOC (10) Cl.** ..... **12-12**

(52) **U.S. Cl.**  
USPC ..... **D12/133; D15/148**

(58) **Field of Classification Search**  
USPC ..... D12/128-133; D15/148  
CPC .... A61G 5/00-5/14; A61G 5/043; F16H 1/46;  
F16H 57/033

See application file for complete search history.

(56) **References Cited**

**U.S. PATENT DOCUMENTS**

- D356,094 S \* 3/1995 Curtis ..... D15/148
- D368,919 S \* 4/1996 Lannoch ..... D15/148
- 5,662,545 A \* 9/1997 Zimmerman ..... B05B 3/0422  
29/893.1
- D397,645 S \* 9/1998 Schaffner ..... D12/131
- D410,659 S \* 6/1999 Lannoch ..... D15/148
- D420,689 S \* 2/2000 Lannoch ..... D15/148

- D431,572 S \* 10/2000 Antony ..... D15/5
- D447,489 S \* 9/2001 Antony ..... D15/5
- 6,312,000 B1 \* 11/2001 Pauls ..... A61G 5/043  
180/907
- D455,376 S \* 4/2002 Lindenkamp ..... D12/131
- D462,639 S \* 9/2002 Lin ..... D12/131
- D468,669 S \* 1/2003 Hopely, Jr. .... D12/131
- D479,543 S \* 9/2003 Lannoch ..... D15/148
- D479,725 S \* 9/2003 Lannoch ..... D15/148
- D494,110 S \* 8/2004 Cheng ..... D12/131
- 7,182,709 B2 \* 2/2007 Christ ..... F16H 1/28  
475/331
- D589,993 S \* 4/2009 Cheng ..... D15/148
- D620,848 S \* 8/2010 Haines ..... D12/160
- D638,454 S \* 5/2011 Torii ..... D15/143
- D733,779 S \* 7/2015 Ebner ..... D15/148

\* cited by examiner

*Primary Examiner* — Charles Hanson

(74) *Attorney, Agent, or Firm* — Jiwen Chen

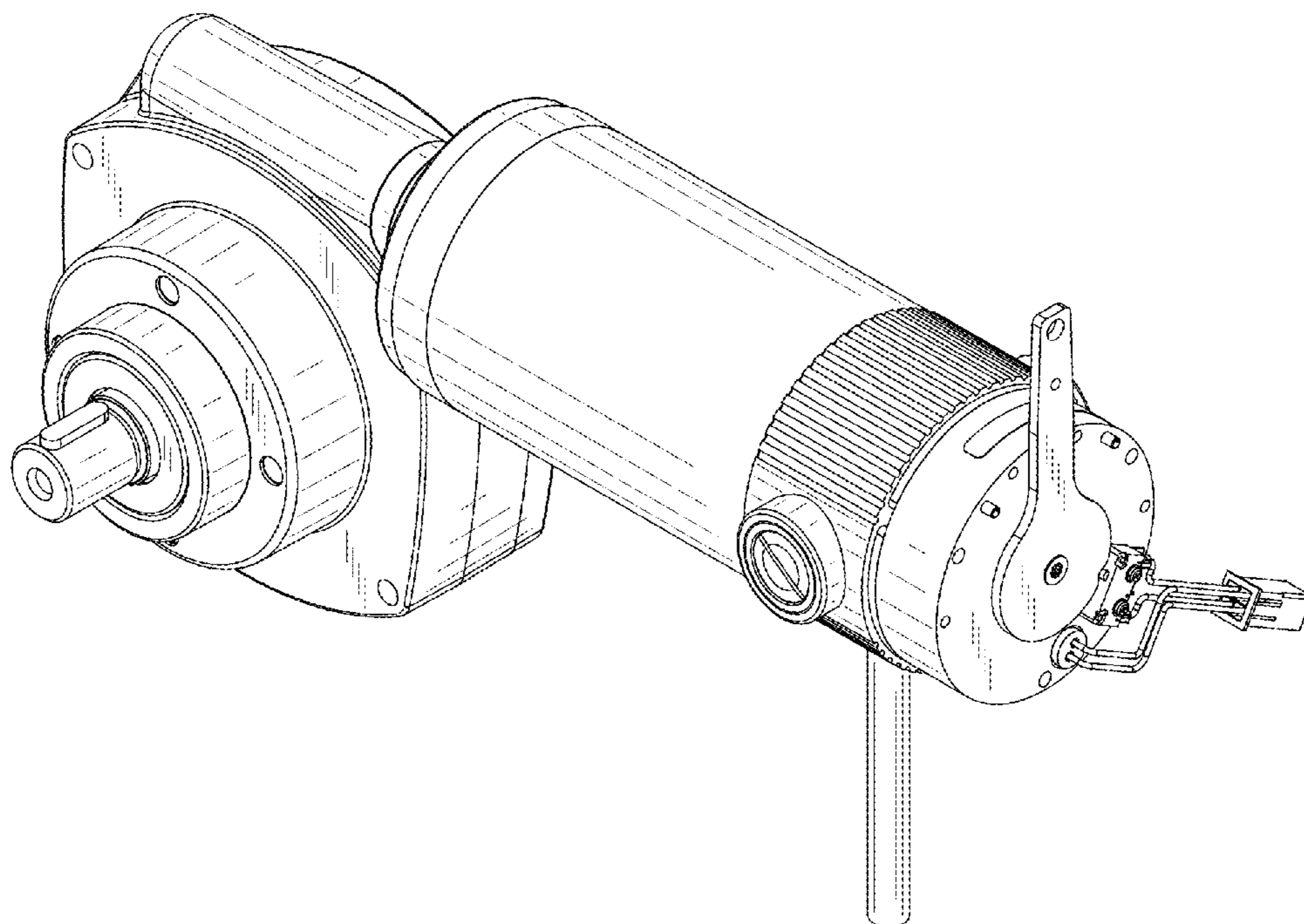
(57) **CLAIM**

The ornamental design for the motor for wheelchair, as shown and described.

**DESCRIPTION**

FIG. 1 is a perspective view of the motor for wheelchair showing the design;  
 FIG. 2 is a front elevational view thereof;  
 FIG. 3 is a rear elevational view thereof;  
 FIG. 4 is a left side view thereof;  
 FIG. 5 is a right side view thereof;  
 FIG. 6 is a top plan view thereof; and,  
 FIG. 7 is a bottom plan view thereof.

**1 Claim, 7 Drawing Sheets**



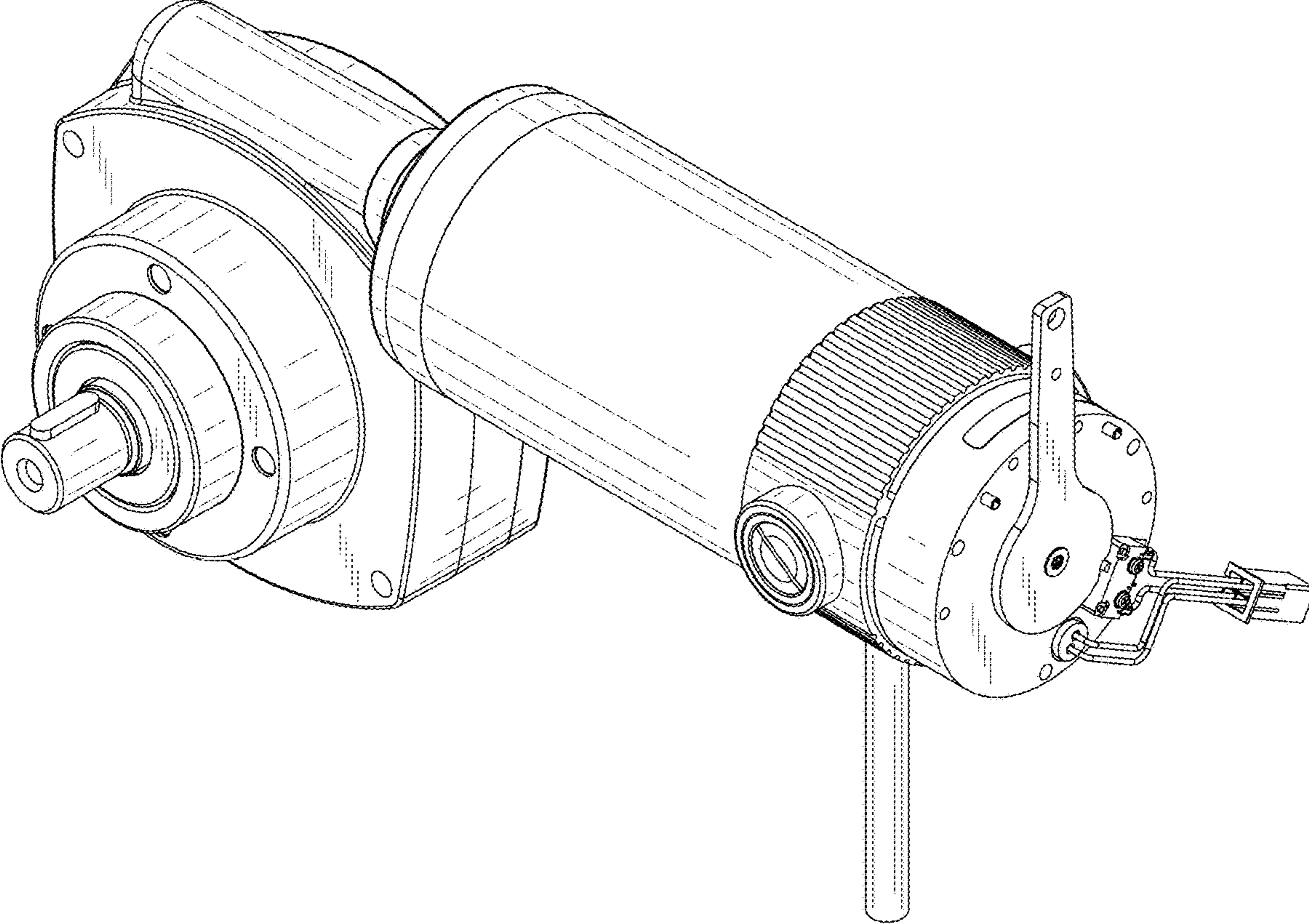


FIG. 1

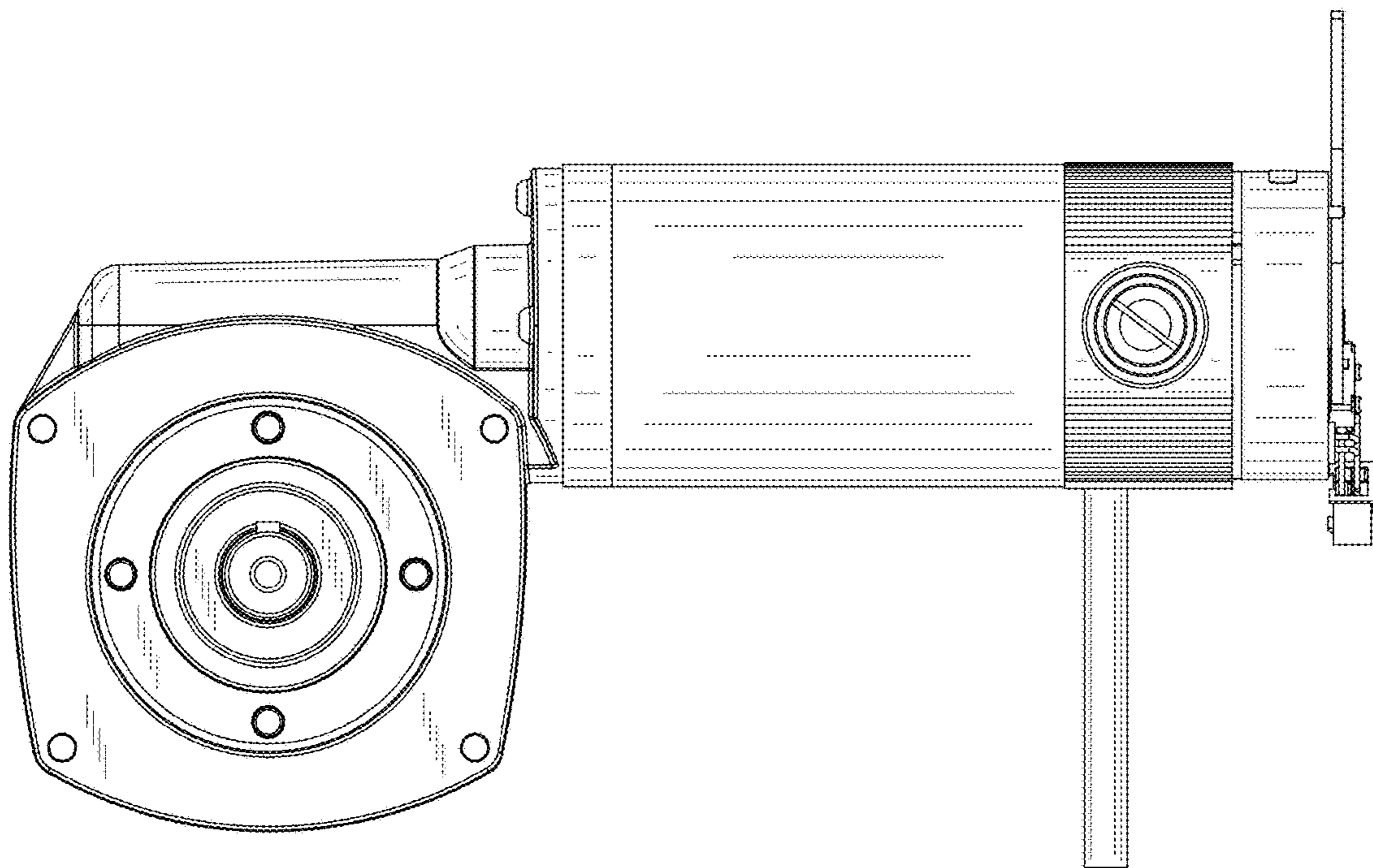


FIG. 2

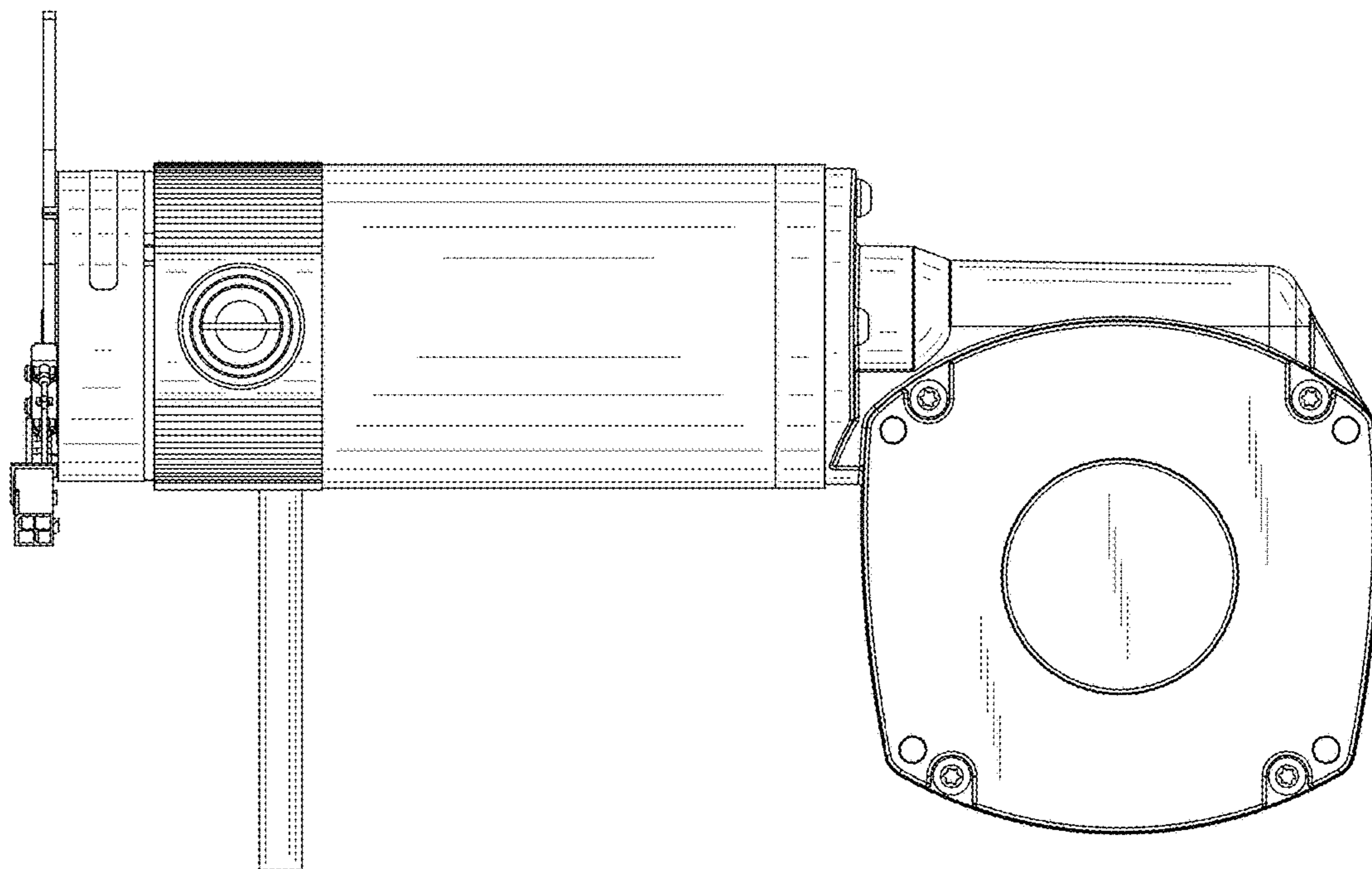


FIG. 3



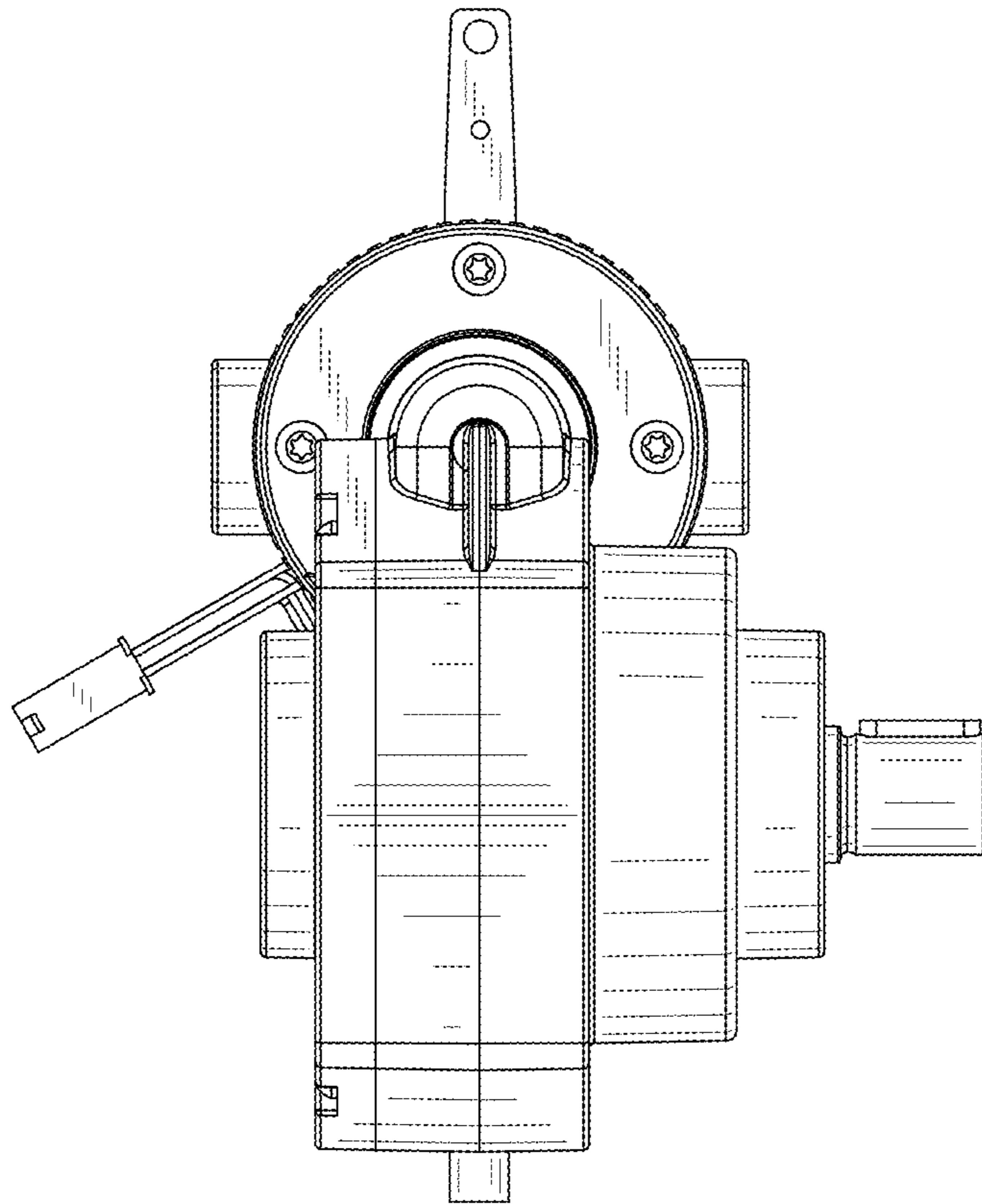


FIG. 4

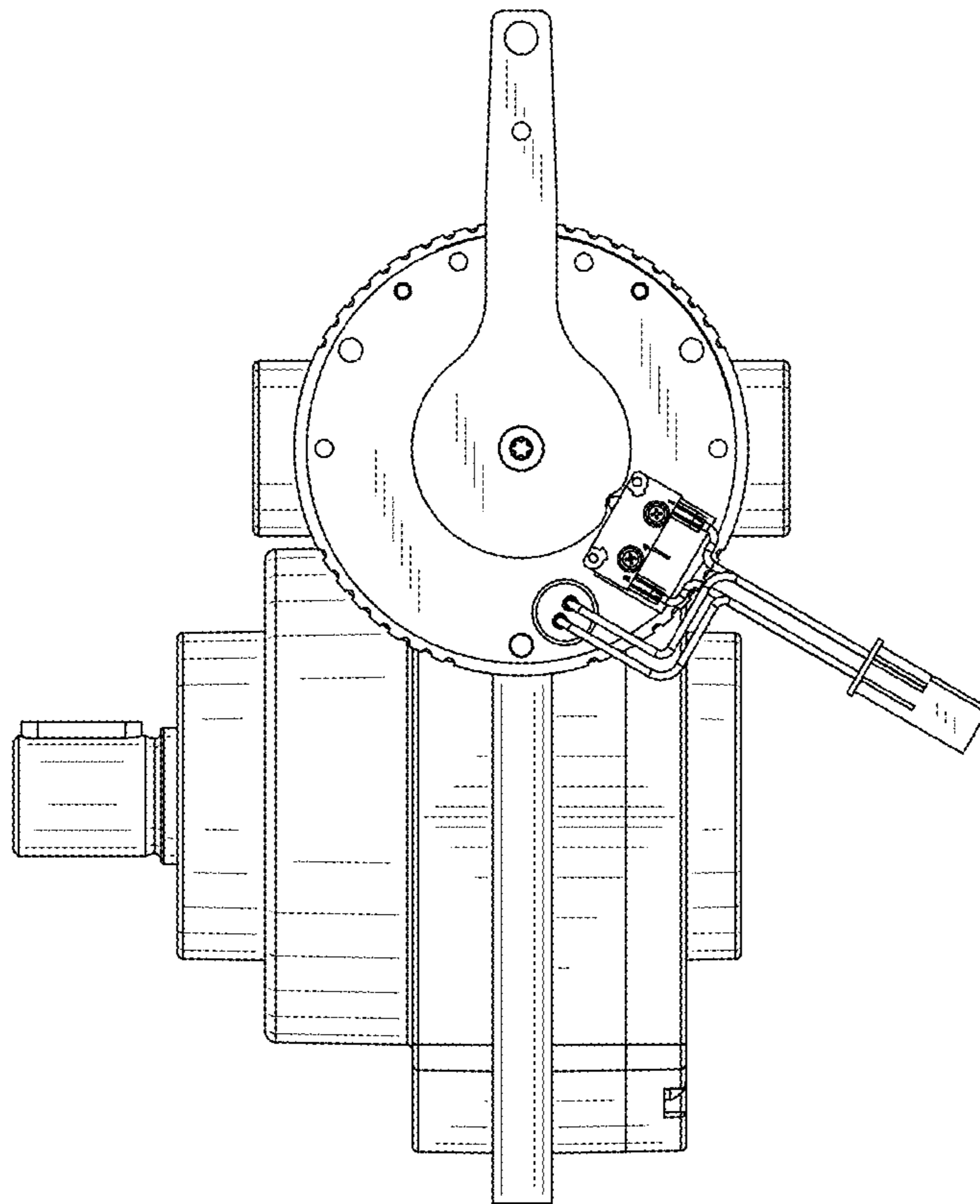


FIG. 5

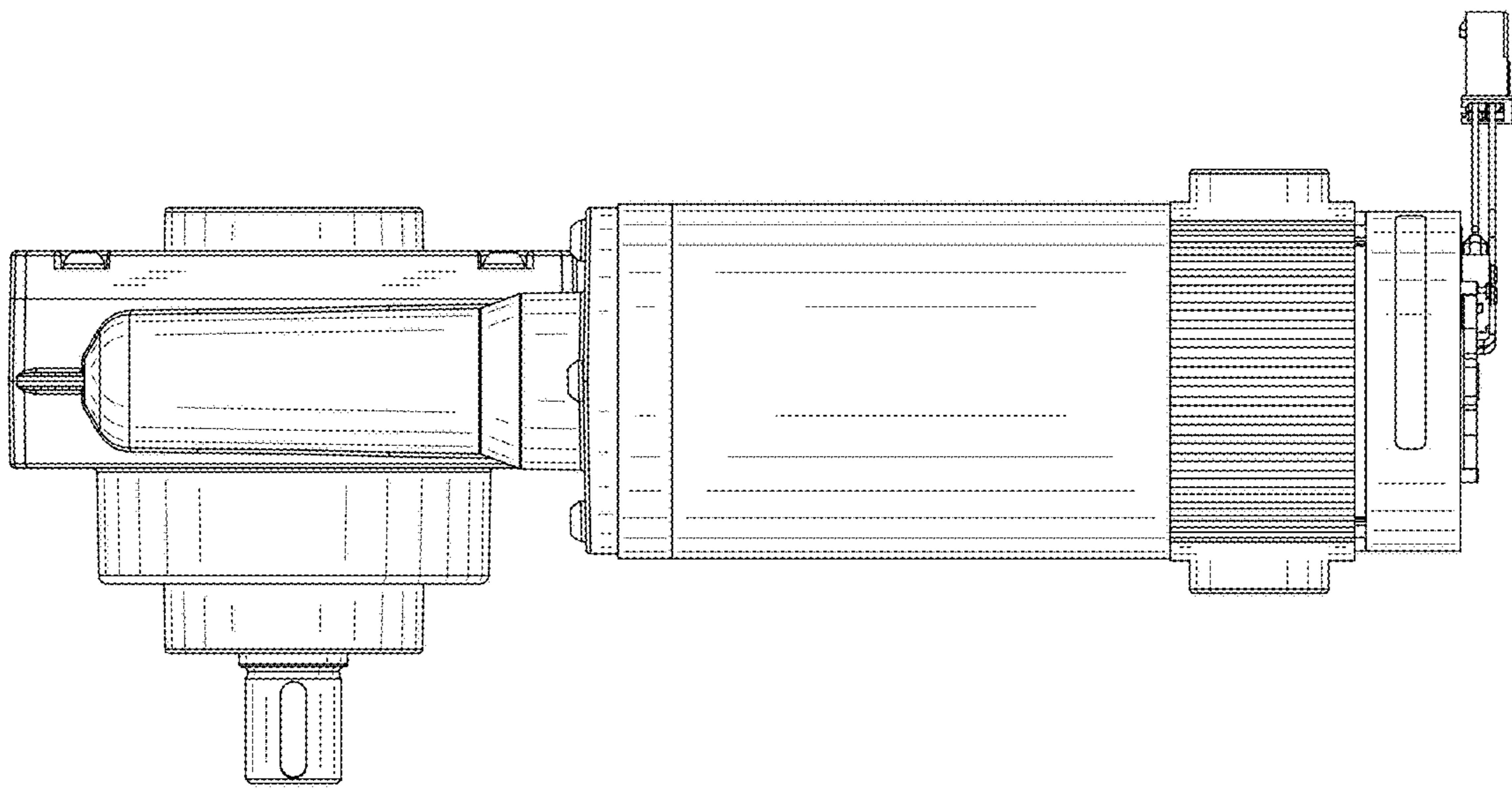


FIG. 6

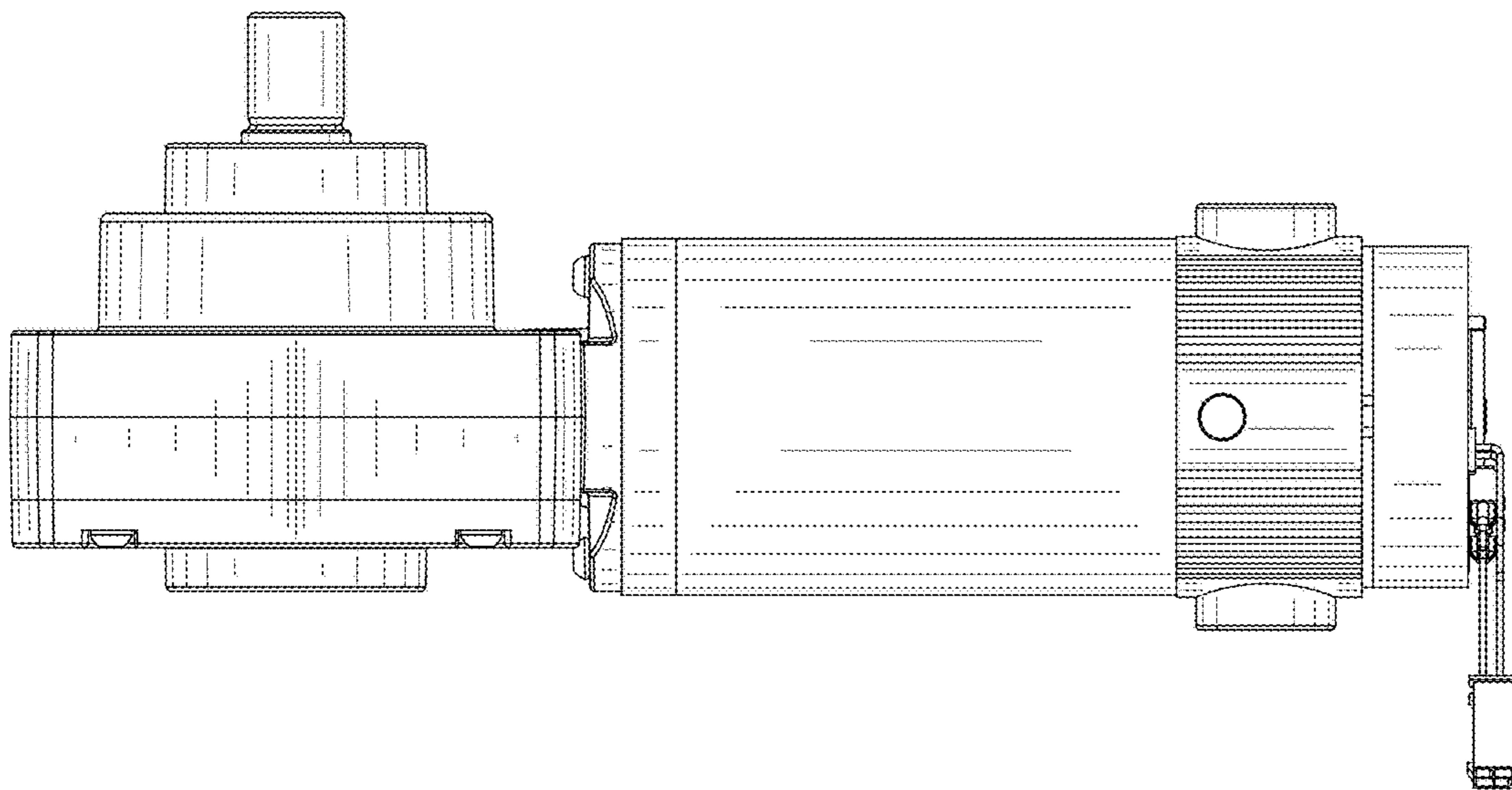


FIG. 7