



US00D779389S

(12) **United States Design Patent** (10) **Patent No.:** **US D779,389 S**
Archambault et al. (45) **Date of Patent:** **** Feb. 21, 2017**

(54) **WHEELCHAIR CASTER**

(71) Applicant: **MOTION COMPOSITES INC.,**
 Saint-Roch-de-l’Achigan (CA)

(72) Inventors: **Michael Archambault,** Saint-Alexis
 (CA); **Pierre-Andre Couture,** Montreal
 (CA)

(73) Assignee: **MOTION COMPOSITES INC.,**
 Saint-Roch de-l’Achigan (CA)

D568,726 S * 5/2008 Kohagen D8/375
 D583,300 S * 12/2008 Rancati D12/133
 D667,349 S * 9/2012 Jurkiewicz D12/133
 D667,761 S * 9/2012 Jurkiewicz D12/133
 D739,794 S * 9/2015 Juskowich D12/133
 D739,795 S * 9/2015 Juskowich D12/133

* cited by examiner

Primary Examiner — Charles Hanson
 (74) *Attorney, Agent, or Firm* — Norton Rose Fulbright
 Canada LLP

(**) Term: **14 Years**

(21) Appl. No.: **29/502,534**

(22) Filed: **Sep. 17, 2014**

(51) **LOC (10) Cl.** **12-02**

(52) **U.S. Cl.**
 USPC **D12/133**

(58) **Field of Classification Search**
 USPC D12/128–133
 CPC B62B 7/00–7/04; B62B 9/00–9/28
 See application file for complete search history.

(56) **References Cited**

U.S. PATENT DOCUMENTS

D414,453 S * 9/1999 Tsai D12/133
 D477,261 S * 7/2003 Lin D12/133
 D486,762 S * 2/2004 He D12/506
 D524,196 S * 7/2006 You D12/133

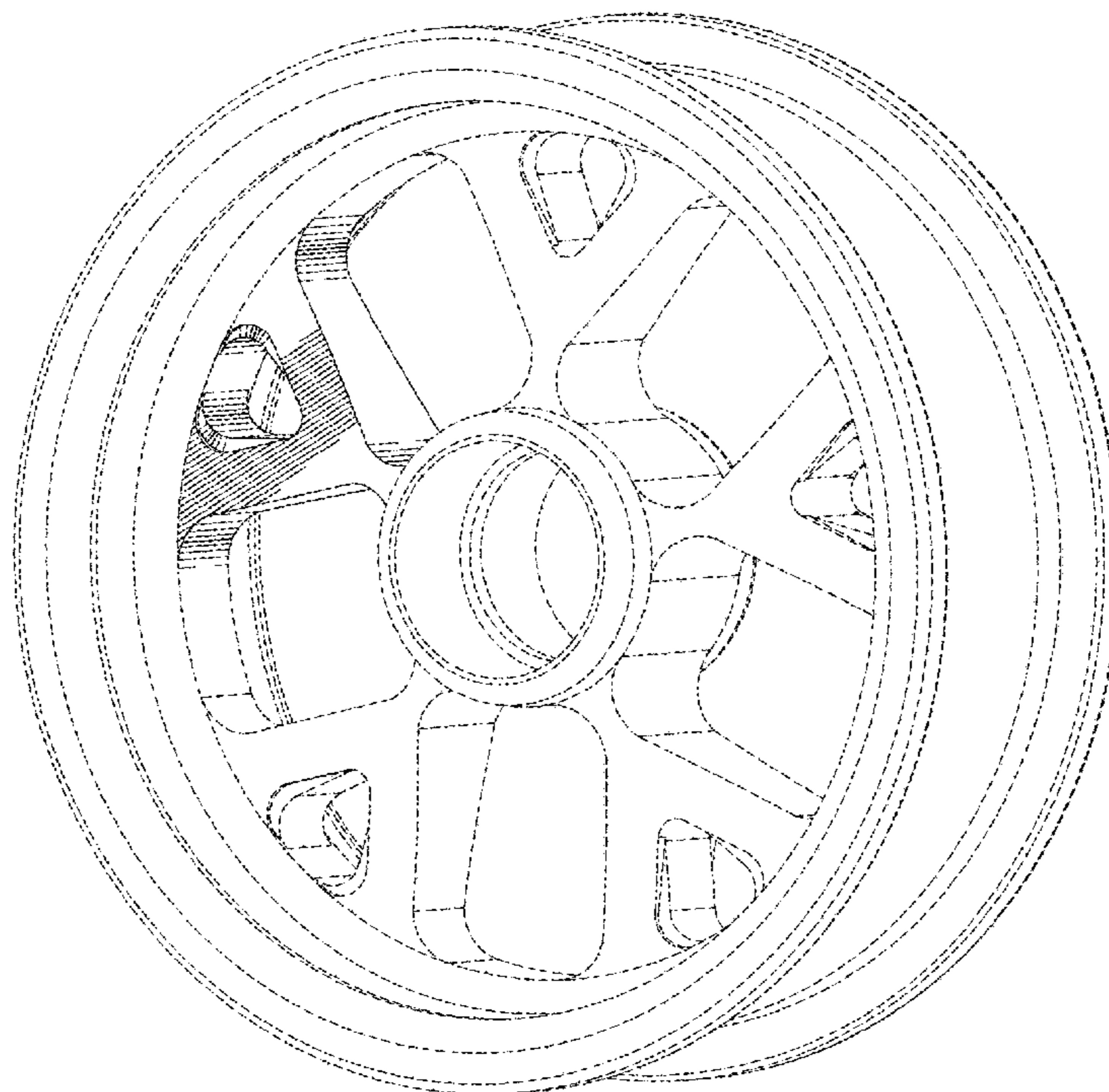
(57) **CLAIM**

We claim the design for wheelchair caster, as shown and described.

DESCRIPTION

FIG. 1 is a perspective view of a wheelchair caster in accordance with the present application;
 FIG. 2 is a side elevation view of the wheelchair caster of FIG. 1, the right-side, left-side elevation views being mirror images thereof; and,
 FIG. 3 is a front elevation view of the wheelchair caster of FIG. 1, the rear elevation view, top-plan view and bottom-plan view being mirror images thereof.
 The broken line portions are included to show environmental unclaimed subject matter only and form no part of the claimed design.

1 Claim, 3 Drawing Sheets



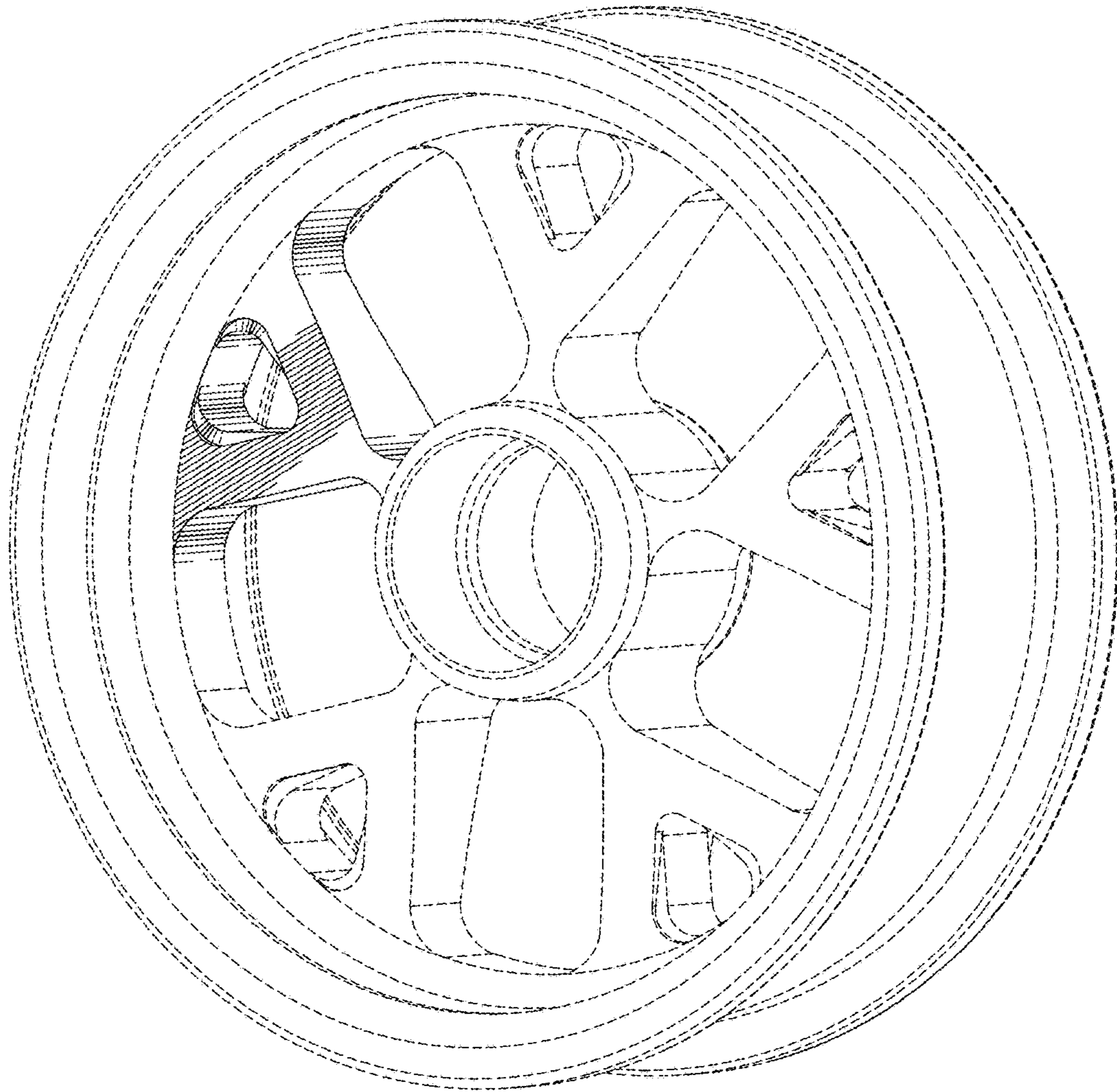


FIG. 1

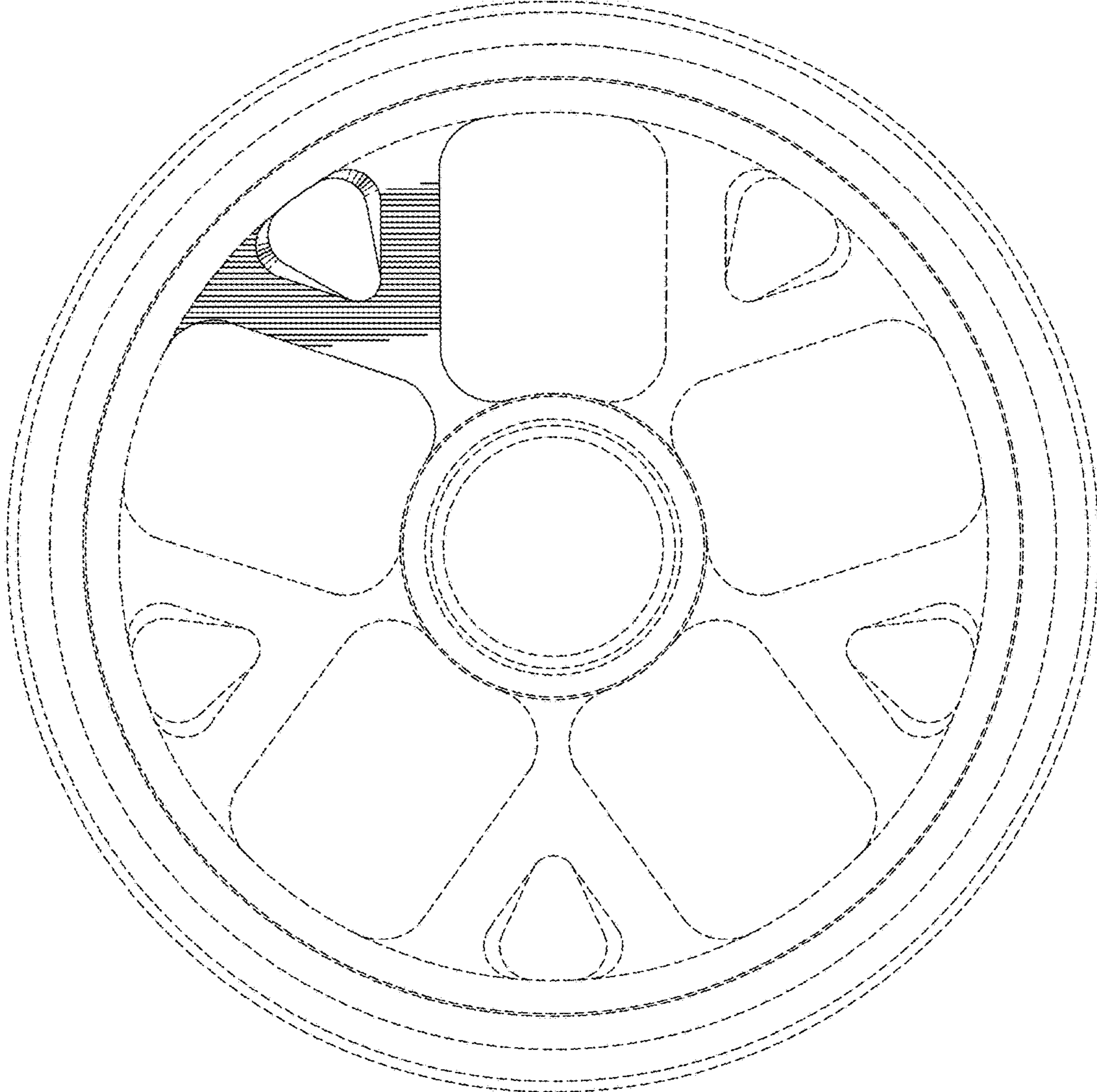


FIG. 2

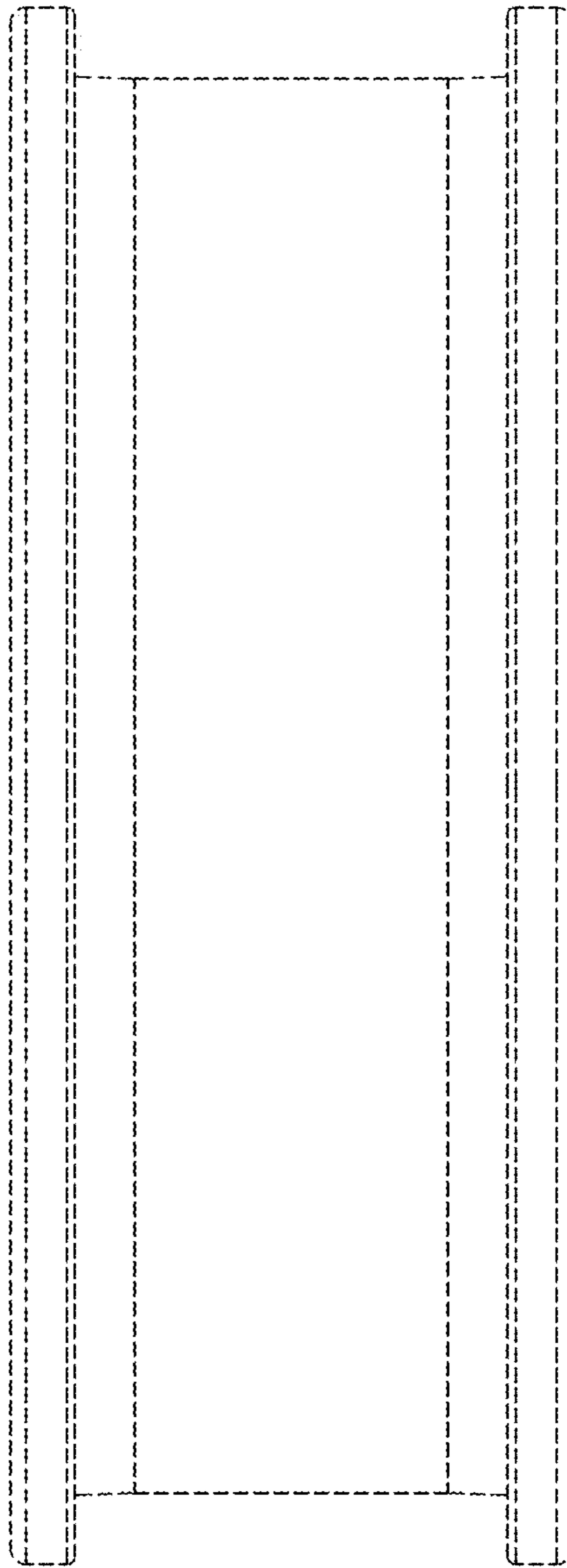


FIG. 3