



US00D779386S

(12) **United States Design Patent** (10) **Patent No.:** **US D779,386 S**  
**Sagen** (45) **Date of Patent:** **\*\* Feb. 21, 2017**

(54) **HUB FOR BICYCLE RACK**  
(71) Applicant: **Yakima Products, Inc.**, Beaverton, OR (US)

1,179,823 A 4/1916 Greene  
1,666,568 A 4/1928 Jackson  
2,512,267 A 6/1950 Donnelley  
2,573,187 A 10/1951 Désilets  
(Continued)

(72) Inventor: **Jason A. Sagen**, Portland, OR (US)

FOREIGN PATENT DOCUMENTS

(73) Assignee: **Yakima Products, Inc.**, Lake Oswego, OR (US)

CA 2198294 A1 8/1997  
CH 308725 A 7/1955  
(Continued)

(\*\*) Term: **15 Years**

*Primary Examiner* — George D Kirschbaum

(21) Appl. No.: **29/529,554**

*Assistant Examiner* — Clese Moore, Jr.

(22) Filed: **Jun. 8, 2015**

(74) *Attorney, Agent, or Firm* — Kolisch Hartwell, P.C.

(51) **LOC (10) Cl.** ..... **12-11**

(57) **CLAIM**

(52) **U.S. Cl.**

The ornamental design for a hub for bicycle rack, as shown and described.

USPC ..... **D12/115**

(58) **Field of Classification Search**

**DESCRIPTION**

USPC ..... D12/115, 120, 406, 407

CPC ..... B60R 9/06; B60R 9/10; B62H 3/00;

B62H 3/04; B62H 3/08; B62H 3/10

See application file for complete search history.

FIG. 1 is an upper, rear, and left-side perspective view of a hub for bicycle rack showing the new design;

FIG. 2 is a lower, front, and left-side perspective view thereof;

FIG. 3 is a top view thereof;

FIG. 4 is a bottom view thereof;

FIG. 5 is a front view thereof;

FIG. 6 is a rear view thereof;

FIG. 7 is a right side view thereof;

FIG. 8 is a left side view thereof;

FIG. 9 is a lower, front, and left-side perspective view thereof; and,

FIG. 10 is an upper, rear, and left-side perspective view thereof.

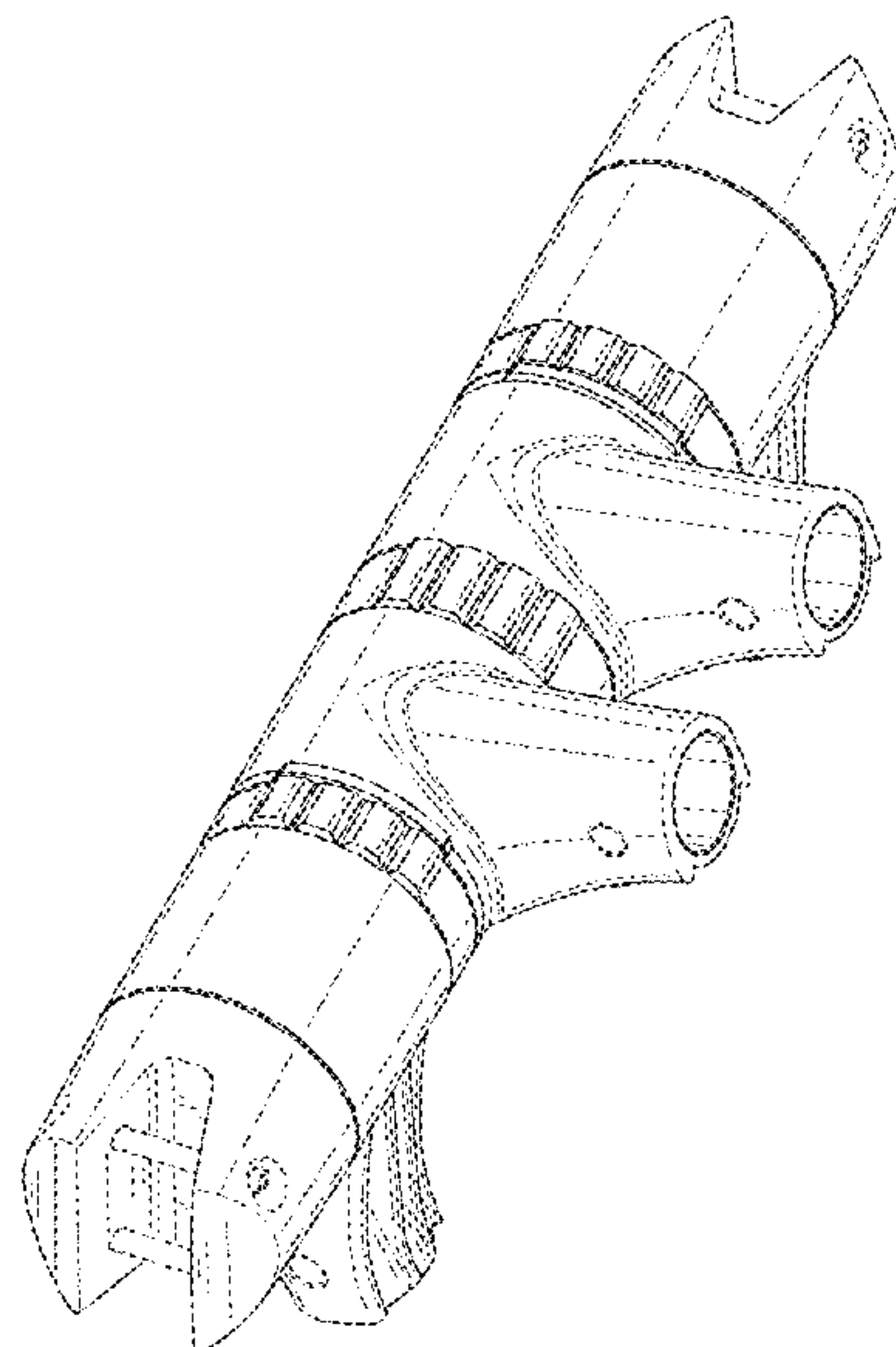
The broken lines shown illustrate portions of the hub for bicycle rack that form no part of the claimed design.

(56) **References Cited**

U.S. PATENT DOCUMENTS

488,395 A	12/1892	Justice
506,495 A	10/1893	Hart, Jr.
511,367 A	12/1893	Slater
529,827 A	11/1894	Fonda
556,789 A	3/1896	Walker
562,520 A	6/1896	Fonda
569,289 A	10/1896	Lynch
576,351 A	2/1897	Penfield
577,910 A	3/1897	Bierbach
580,032 A	4/1897	Bierbach
586,681 A	7/1897	Douglas
607,024 A	7/1898	Durfree et al.
614,264 A	11/1898	Fletcher
623,807 A	4/1899	Myers
639,765 A	12/1899	Phipps

**1 Claim, 7 Drawing Sheets**



(56)

References Cited

U.S. PATENT DOCUMENTS

3,092,362 A	6/1963	Walsh	5,636,816 A	6/1997	Burton et al.
3,161,973 A	12/1964	Hastings	5,645,202 A	7/1997	Kaloustian
3,232,502 A	2/1966	Kleinbortas	5,690,260 A	11/1997	Aikins et al.
3,710,999 A	1/1973	Allen	5,692,659 A	12/1997	Reeves
3,744,689 A	7/1973	Kjensmo	5,720,399 A	2/1998	Kohlhaas
3,765,581 A	10/1973	Kosecoff	5,738,259 A	4/1998	Allen
3,844,517 A	10/1974	Fraser	5,775,555 A	7/1998	Bloemer et al.
3,872,972 A	3/1975	Cummins et al.	5,806,196 A	9/1998	Gibbs et al.
3,921,869 A	11/1975	Rogers	5,810,231 A	9/1998	Kravitz
3,927,810 A	12/1975	Danon	5,826,767 A	10/1998	Chimenti et al.
3,927,811 A	12/1975	Nussbaum	5,833,074 A	11/1998	Phillips
4,085,874 A	4/1978	Graber	5,904,463 A	5/1999	Christensen
4,089,448 A	5/1978	Traeger	D412,482 S	8/1999	Chen
4,109,839 A	8/1978	Allen	5,938,093 A	8/1999	Bloemer et al.
4,116,341 A	9/1978	Hebda	5,984,347 A	11/1999	Blanc-Rosset
RE29,840 E	11/1978	Wasserman	5,996,957 A	12/1999	Kurtz
4,171,077 A	10/1979	Richard, Jr.	6,000,593 A	12/1999	Chimenti
4,182,467 A	1/1980	Graber	6,019,266 A	2/2000	Johnson
4,213,729 A	7/1980	Cowles et al.	6,053,336 A	4/2000	Reeves
4,265,382 A	5/1981	Edwards	6,116,485 A	9/2000	Watkins
4,285,485 A	8/1981	Burke	D447,997 S	9/2001	Ferman et al.
4,298,151 A	11/1981	O'Connor	6,286,738 B1	9/2001	Robins et al.
4,332,337 A	6/1982	Kosecoff	6,345,748 B1	2/2002	Chimenti et al.
4,345,705 A	8/1982	Graber	6,386,407 B1	5/2002	Erickson et al.
4,394,948 A	7/1983	Graber	6,422,443 B1	7/2002	Erickson et al.
4,403,716 A	9/1983	Carlson et al.	6,439,397 B1	8/2002	Reeves
4,428,516 A	1/1984	Allen	6,467,664 B2	10/2002	Robins et al.
4,437,597 A	3/1984	Doyle	6,502,729 B2	1/2003	Ferman
4,452,385 A	6/1984	Prosen	6,523,731 B1	2/2003	Pedrini
4,513,897 A	4/1985	Graber	6,761,297 B1	7/2004	Pedrini
4,518,108 A	5/1985	Allen	6,840,418 B2	1/2005	Robins et al.
4,524,893 A	6/1985	Cole	6,857,545 B2	2/2005	McLemore et al.
4,597,554 A	7/1986	James	6,968,986 B1	11/2005	Lloyd et al.
4,700,845 A	10/1987	Fretter	6,976,615 B2	12/2005	Dean
4,702,401 A	10/1987	Graber et al.	6,988,645 B1 *	1/2006	Nusbaum ..... B60R 9/048 224/324
4,726,499 A	2/1988	Hoerner	7,055,725 B1	6/2006	Kolda
4,804,120 A	2/1989	Kraklio	7,118,016 B1	10/2006	Kolda
4,823,997 A	4/1989	Krieger	7,404,504 B2	7/2008	Settelmayer
4,830,250 A	5/1989	Newbold et al.	7,434,714 B2	10/2008	Huang
4,856,686 A	8/1989	Workentine	7,810,685 B2	10/2010	Bove et al.
4,863,080 A	9/1989	Graber	D630,573 S *	1/2011	Pedrini ..... D12/408
4,875,608 A	10/1989	Graber	7,866,517 B2	1/2011	Pedrini
5,029,740 A	7/1991	Cox	D637,137 S *	5/2011	Weaver ..... D12/408
5,052,605 A	10/1991	Johansson	7,975,888 B2	7/2011	Settelmayer
5,056,699 A	10/1991	Newbold et al.	8,025,196 B2	9/2011	Flaherty et al.
5,056,700 A	10/1991	Blackburn et al.	8,028,878 B1	10/2011	Pedrini
5,058,283 A	10/1991	Wise et al.	D654,404 S *	2/2012	Komita ..... D12/115
5,118,020 A	6/1992	Piretti	D656,455 S	3/2012	Sautter et al.
5,135,145 A	8/1992	Hannes et al.	D658,567 S *	5/2012	Shen ..... D12/408
D329,035 S	9/1992	Blackburn et al.	D663,675 S	7/2012	Sautter et al.
5,157,842 A	10/1992	Swanda	8,235,267 B2	8/2012	Sautter et al.
D331,214 S	11/1992	Johnson	8,267,292 B2	9/2012	Czornyj
5,169,042 A	12/1992	Ching	D671,883 S *	12/2012	Farber ..... D12/408
5,195,670 A	3/1993	Piretti et al.	8,444,032 B2	5/2013	Pedrini
5,211,323 A	5/1993	Chimenti et al.	8,490,847 B2	7/2013	Sautter et al.
5,215,232 A	6/1993	Wyers	D687,762 S *	8/2013	Weaver ..... D12/408
5,259,542 A	11/1993	Newbold et al.	D694,674 S *	12/2013	Higgins ..... D12/115
5,299,773 A	4/1994	Bertrand	D706,209 S *	6/2014	Flaherty ..... D12/407
5,303,857 A	4/1994	Hewson	D707,617 S *	6/2014	Flaherty ..... D12/407
D346,995 S	5/1994	Thulin	D715,213 S *	10/2014	Laverack ..... D12/406
D348,640 S	7/1994	Hall	2002/0003156 A1 *	1/2002	Morris ..... B60R 9/048 224/553
5,360,150 A	11/1994	Praz	2002/0117524 A1	8/2002	Jeong
5,363,996 A	11/1994	Raaber et al.	2003/0164390 A1	9/2003	Higginbotham, III
5,373,978 A	12/1994	Buttchen et al.	2003/0222112 A1	12/2003	McLemore et al.
5,377,885 A	1/1995	Wyers	2004/0028510 A1	2/2004	Jones
5,398,422 A	3/1995	Clarkson	2004/0238582 A1	12/2004	Pedrini
5,476,202 A	12/1995	Lipp	2004/0256430 A1	12/2004	Wang
5,495,970 A	3/1996	Pedrini	2005/0061842 A1	3/2005	Tsai
5,505,357 A	4/1996	Chimenti et al.	2005/0199669 A1	9/2005	Robins et al.
5,527,146 A	6/1996	Allsop et al.	2005/0205629 A1	9/2005	Wang
5,573,165 A	11/1996	Bloemer et al.	2006/0032879 A1	2/2006	Settelmayer
5,593,076 A	1/1997	Biondo	2006/0032880 A1	2/2006	Settelmayer
5,598,960 A	2/1997	Allen et al.	2006/0060623 A1	3/2006	Huang
D378,289 S	3/1997	Lundgren	2006/0138186 A1	6/2006	Pedrini
5,625,956 A	5/1997	Cone, II et al.	2006/0186161 A1	8/2006	Huang
			2006/0289580 A1	12/2006	Faver et al.
			2007/0057001 A1	3/2007	Wang



(56)

**References Cited**

U.S. PATENT DOCUMENTS

2008/0190979 A1 8/2008 Robins et al.  
2009/0120986 A1\* 5/2009 Sautter ..... B60R 9/06  
224/497  
2010/0127031 A1 5/2010 Sautter et al.  
2012/0234883 A1\* 9/2012 Sautter ..... B60R 9/10  
224/502  
2014/0151421 A1\* 6/2014 Loken ..... B60R 9/06  
224/519

FOREIGN PATENT DOCUMENTS

DE 4225110 C2 4/1997  
FR 2451296 A1 10/1980  
FR 2668435 A1 4/1992  
FR 1083830 A 1/1995  
GB 178828 A 1/1938  
GB 856748 A 12/1960  
JP 61122051 A 6/1986  
JP 3145441 U 9/2008  
NL 7704505 A 12/1977  
SE 98850 C 3/1940  
WO 9402338 A1 2/1994  
WO 2006020540 A2 2/2006  
WO 2006020937 A2 2/2006

\* cited by examiner

Fig. 1

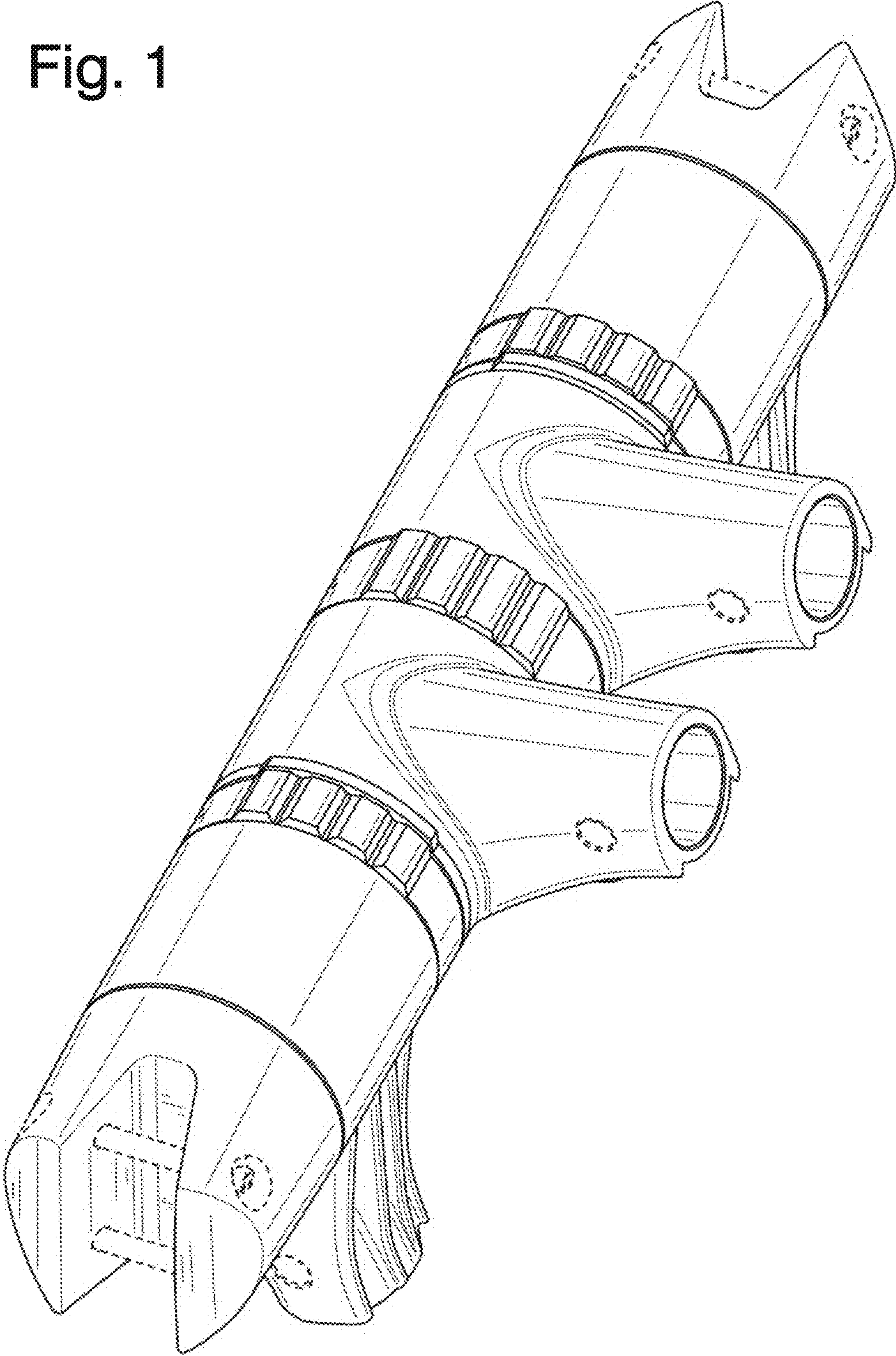
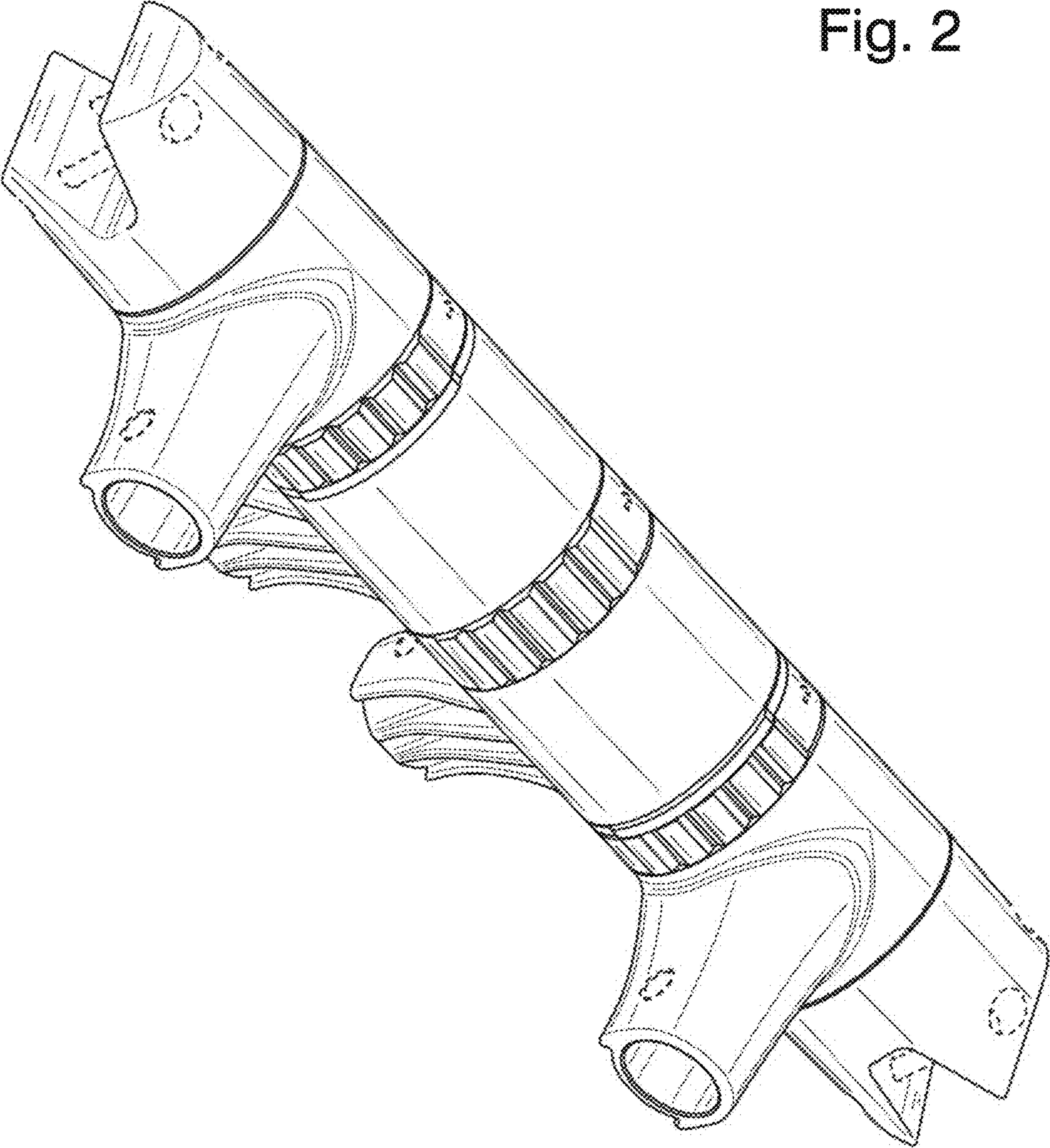


Fig. 2





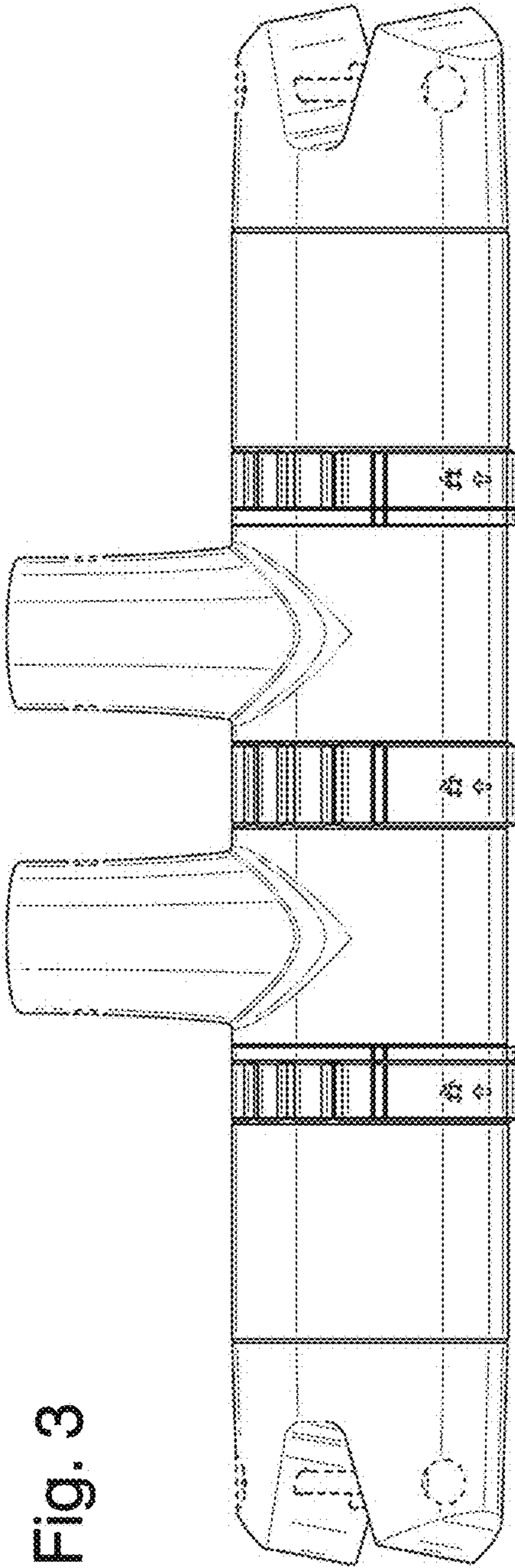


Fig. 3

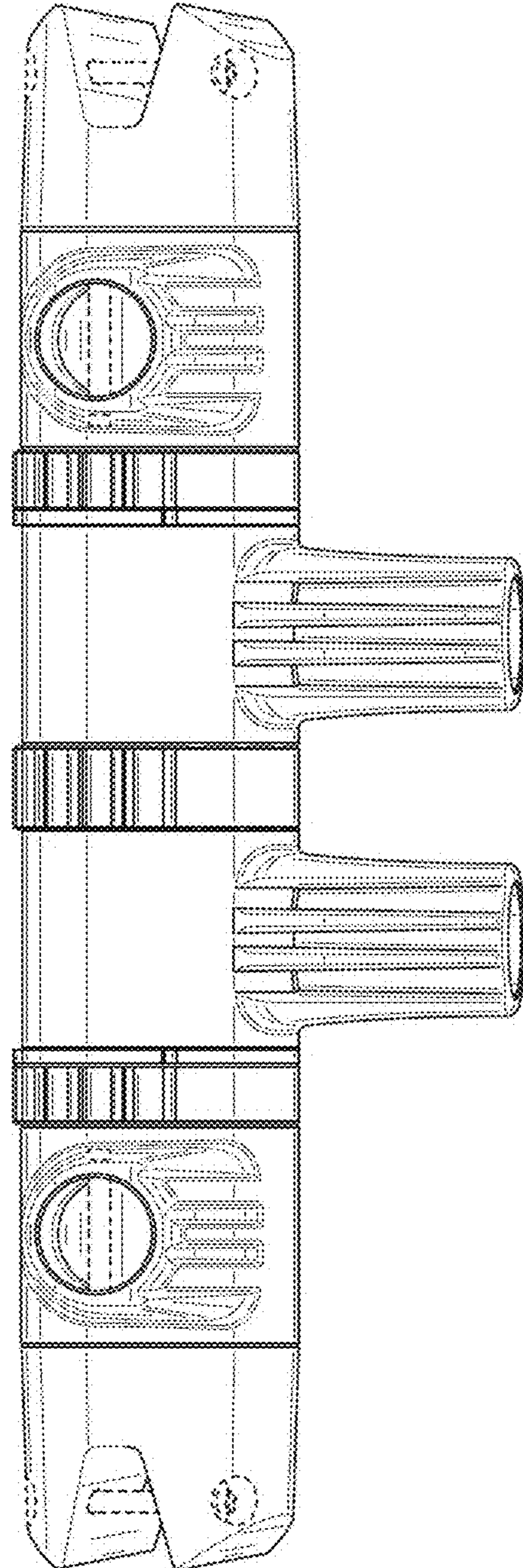


Fig. 4

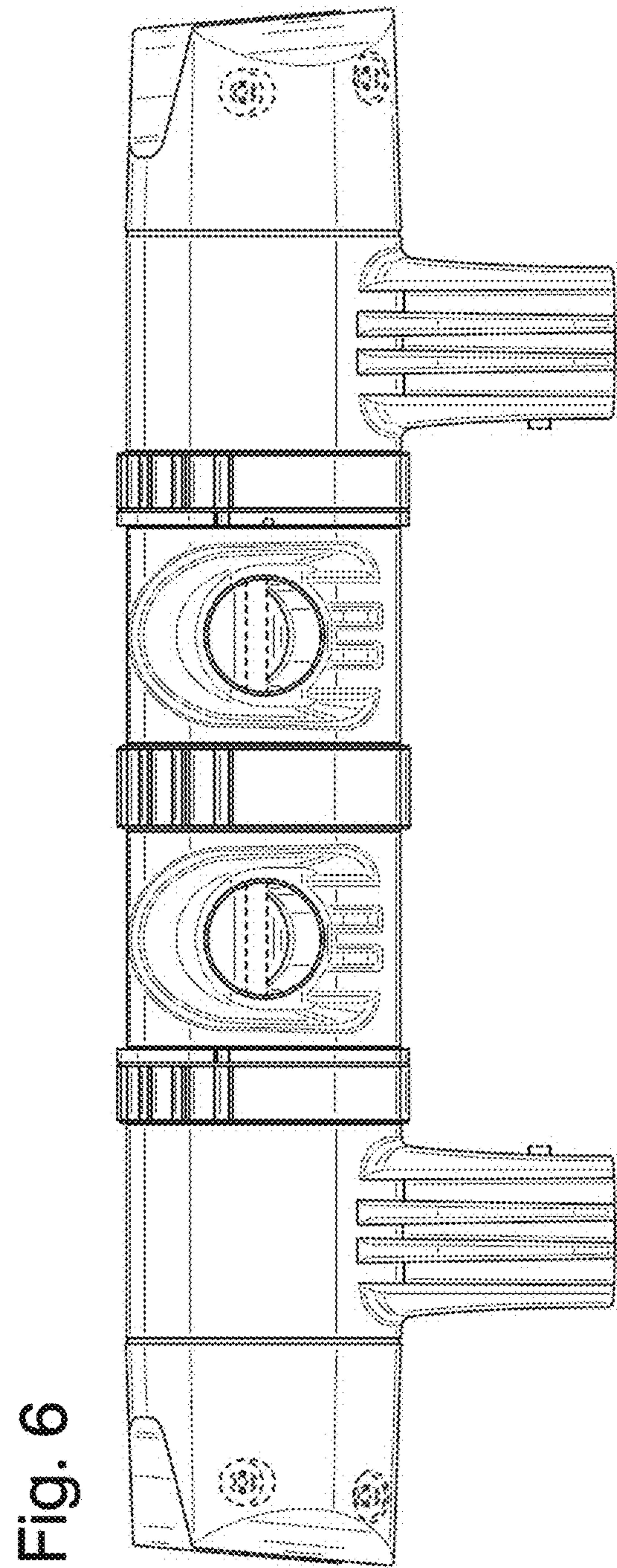
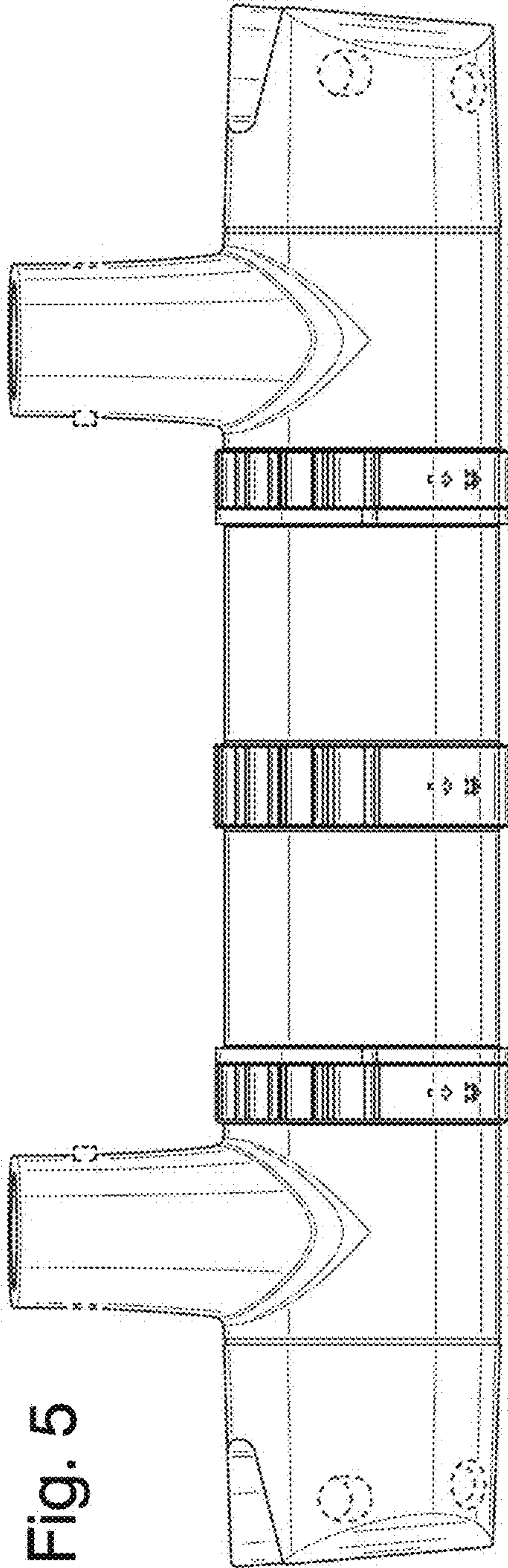


Fig. 5

Fig. 6



Fig. 8

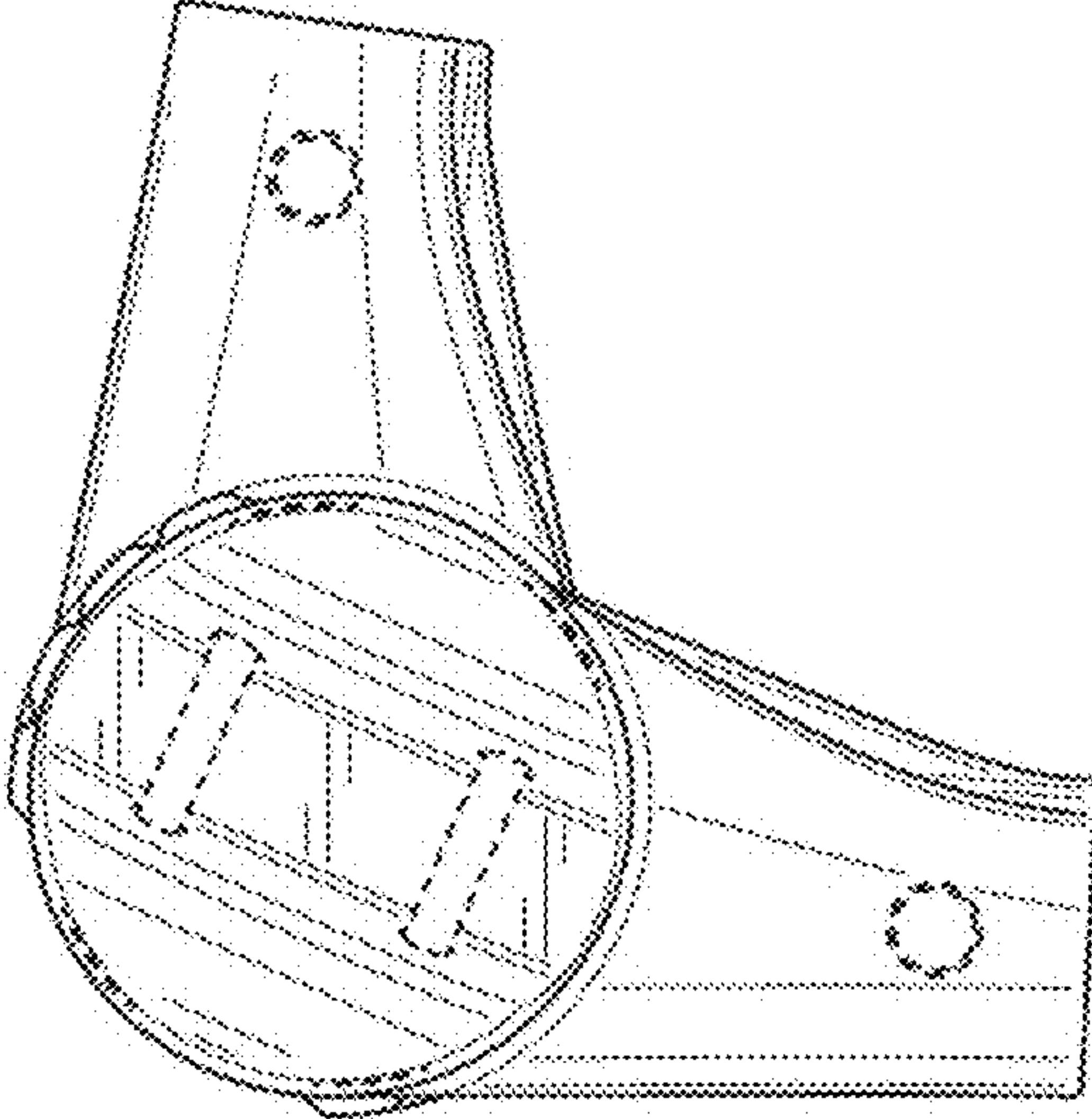
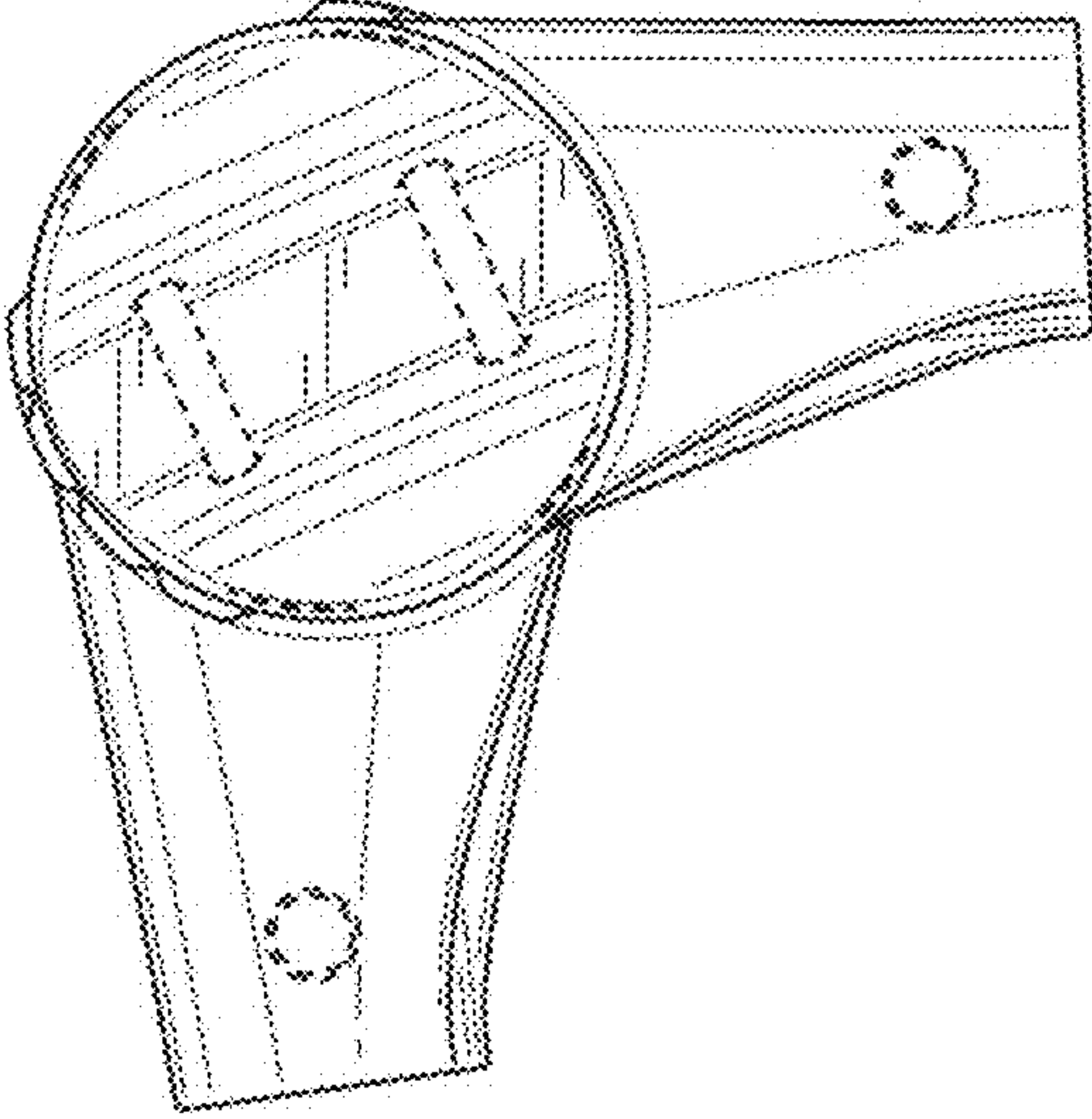


Fig. 7





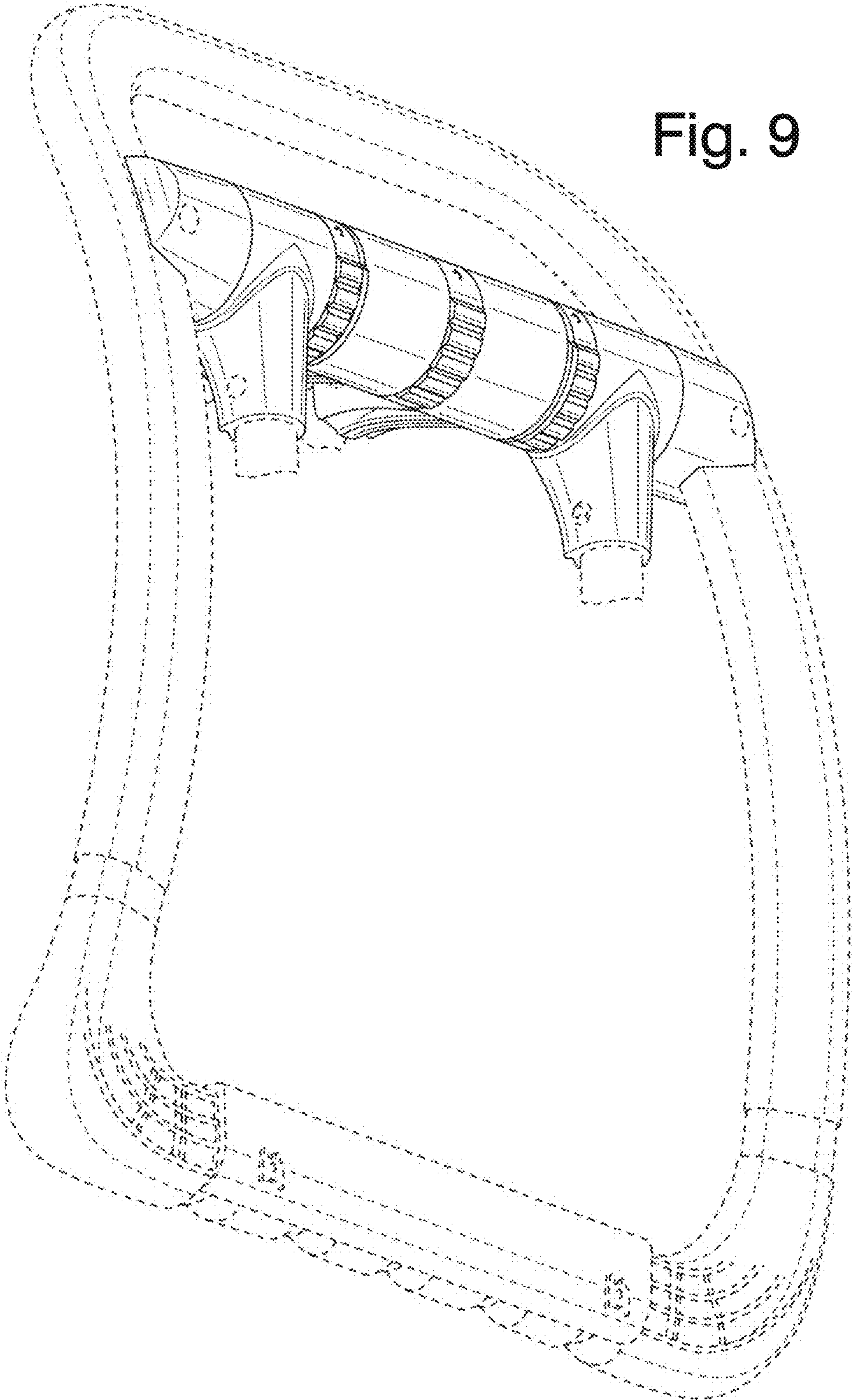


Fig. 9

Fig. 10

