



US00D779385S

(12) **United States Design Patent**  
**Shih**

(10) **Patent No.:** **US D779,385 S**

(45) **Date of Patent:** **\*\* Feb. 21, 2017**

(54) **BELL BASE**

(71) Applicant: **NUVO ENTERPRISE CO., LTD.**,  
Changhua Hsien (TW)

(72) Inventor: **Chun-Hsiung Shih**, Changhua Hsien  
(TW)

(73) Assignee: **NUVO ENTERPRISE CO., LTD.**,  
Changhua Hsien (TW)

(\*\*) Term: **14 Years**

(21) Appl. No.: **29/526,116**

(22) Filed: **May 6, 2015**

(51) **LOC (10) Cl.** ..... **12-11**

(52) **U.S. Cl.**  
USPC ..... **D12/114**

(58) **Field of Classification Search**  
USPC ..... D12/114, 400, 415; D10/80, 116.1, 118,  
D10/119.3; D14/447  
CPC ..... B62J 3/00; B62J 11/00; B62J 2099/0033;  
B62J 2700/636  
See application file for complete search history.

(56) **References Cited**

**U.S. PATENT DOCUMENTS**

D316,055 S *	4/1991	Rixen	.....	D10/118
D360,159 S *	7/1995	Moore	.....	D10/116.1
D361,536 S *	8/1995	Pagani	.....	D10/120
D436,898 S *	1/2001	Okada	.....	D12/114
6,450,115 B1 *	9/2002	Ichimura	.....	G10K 1/072 116/152
D567,129 S *	4/2008	Lin	.....	D10/118
D619,914 S *	7/2010	Lin	.....	D10/118

D672,004 S *	12/2012	Stracener	.....	D22/108
D704,199 S *	5/2014	Byun	.....	D14/447
D732,009 S *	6/2015	Bak	.....	D14/229
D739,853 S *	9/2015	Lee	.....	D14/253
D765,549 S *	9/2016	Khodapanah	.....	D12/114
D766,886 S *	9/2016	Lee	.....	D14/253

\* cited by examiner

*Primary Examiner* — George D Kirschbaum

*Assistant Examiner* — Clese Moore, Jr.

(74) *Attorney, Agent, or Firm* — Ming Chow; Sinorica,  
LLC

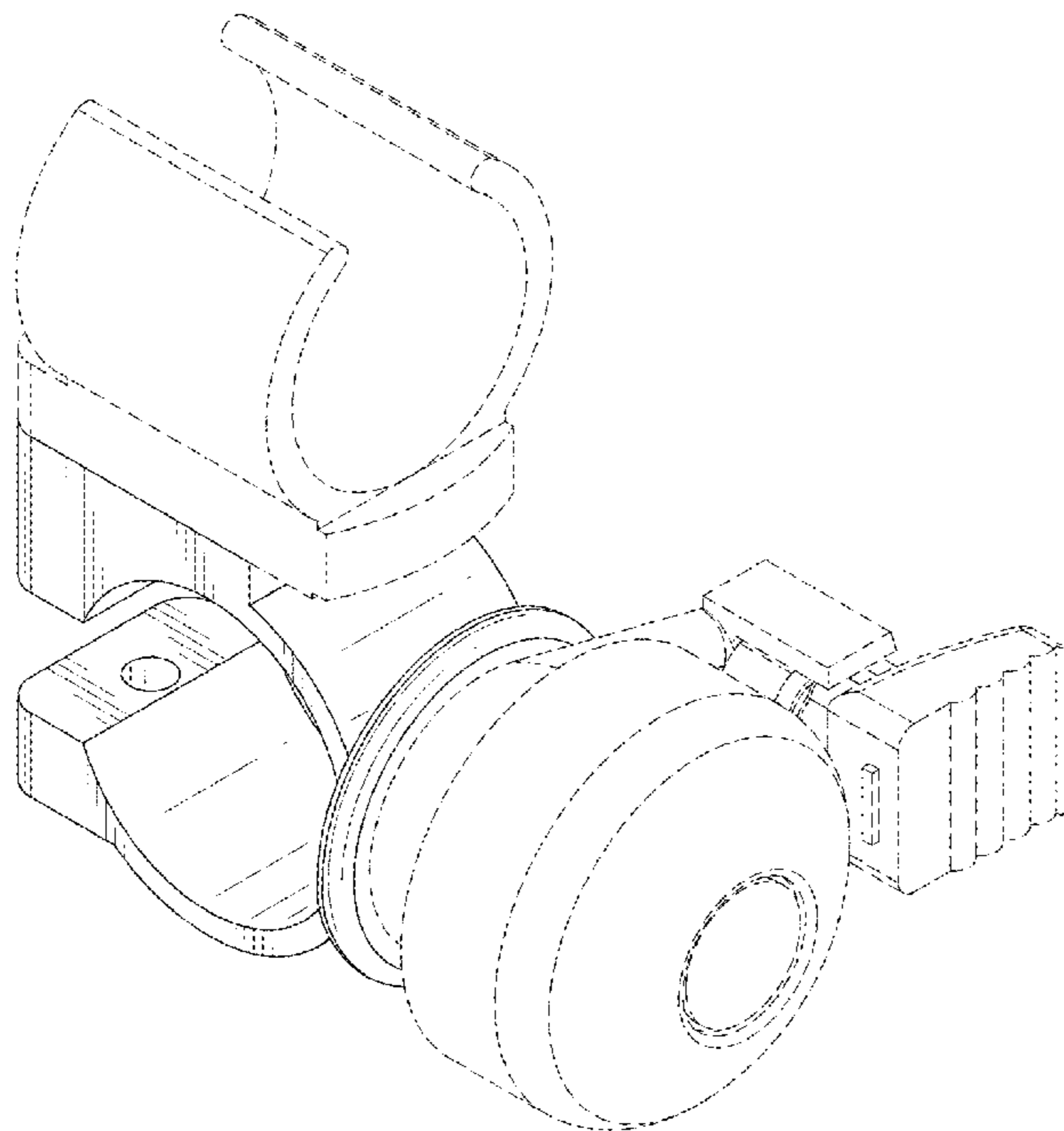
(57) **CLAIM**

I claim the ornamental design for a bell base, as shown and described.

**DESCRIPTION**

FIG. 1 is a front perspective view of a bell base showing my new design;  
FIG. 2 is a front elevational view thereof;  
FIG. 3 is a rear elevational view thereof;  
FIG. 4 is a left side elevational view thereof;  
FIG. 5 is a right side elevational view thereof;  
FIG. 6 is a top plan view thereof;  
FIG. 7 is a bottom plan view thereof; and,  
FIG. 8 is a front end view of the bell base in accordance with my design, shown in its environment thereof.  
The broken lines shown illustrate portions of the bell base that form no part of the claimed design.

**1 Claim, 8 Drawing Sheets**



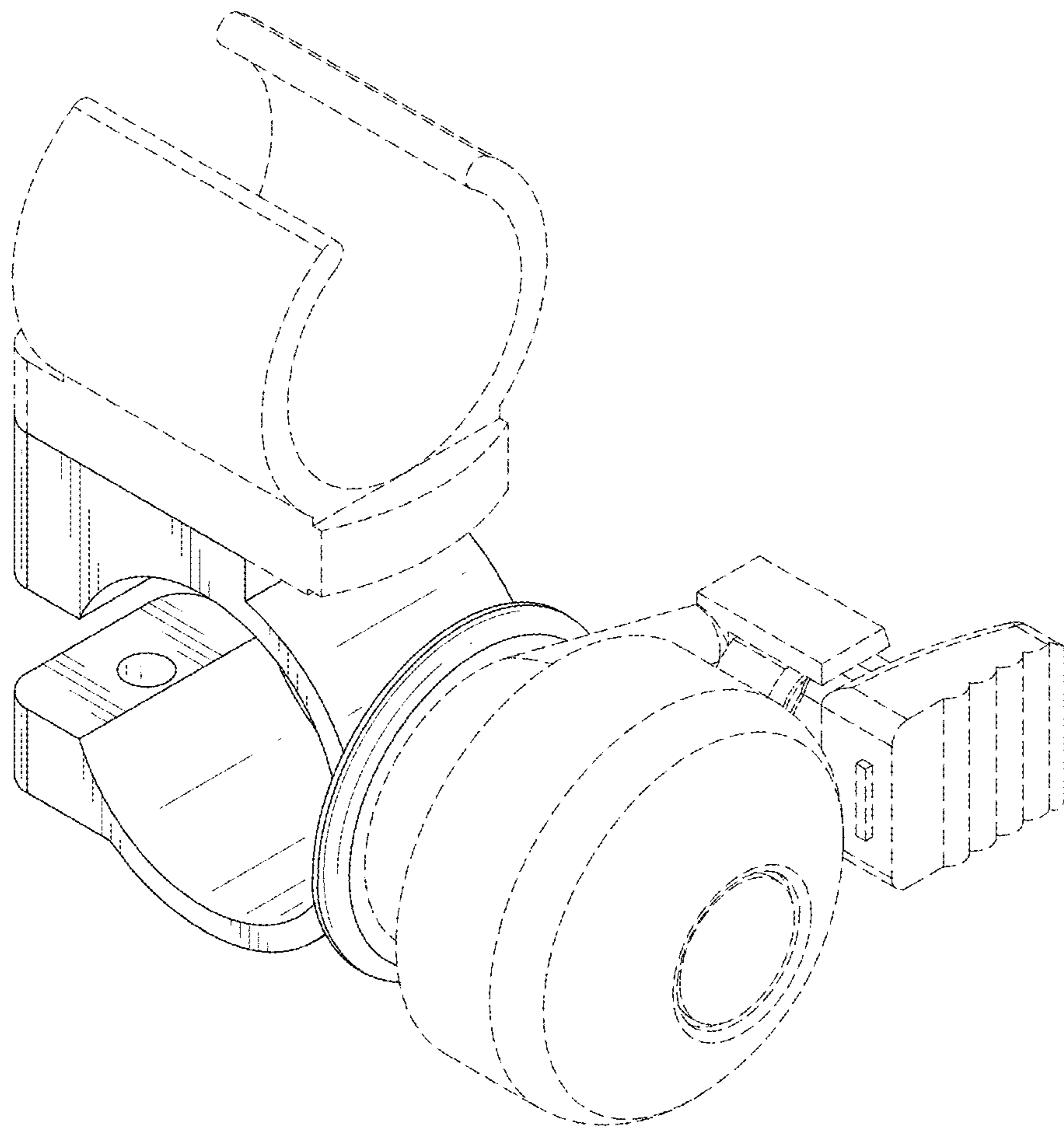


FIG. 1

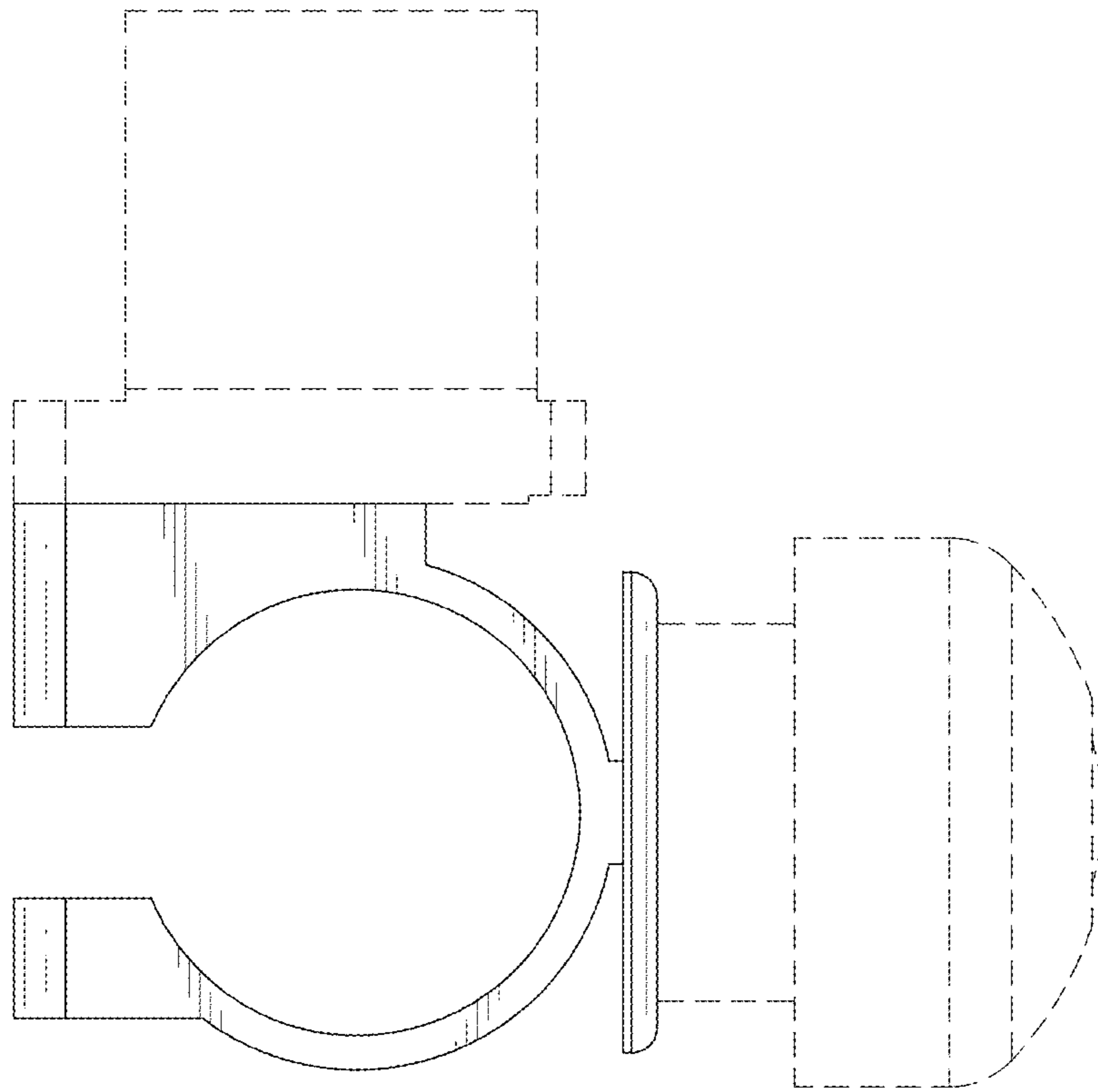


FIG. 2

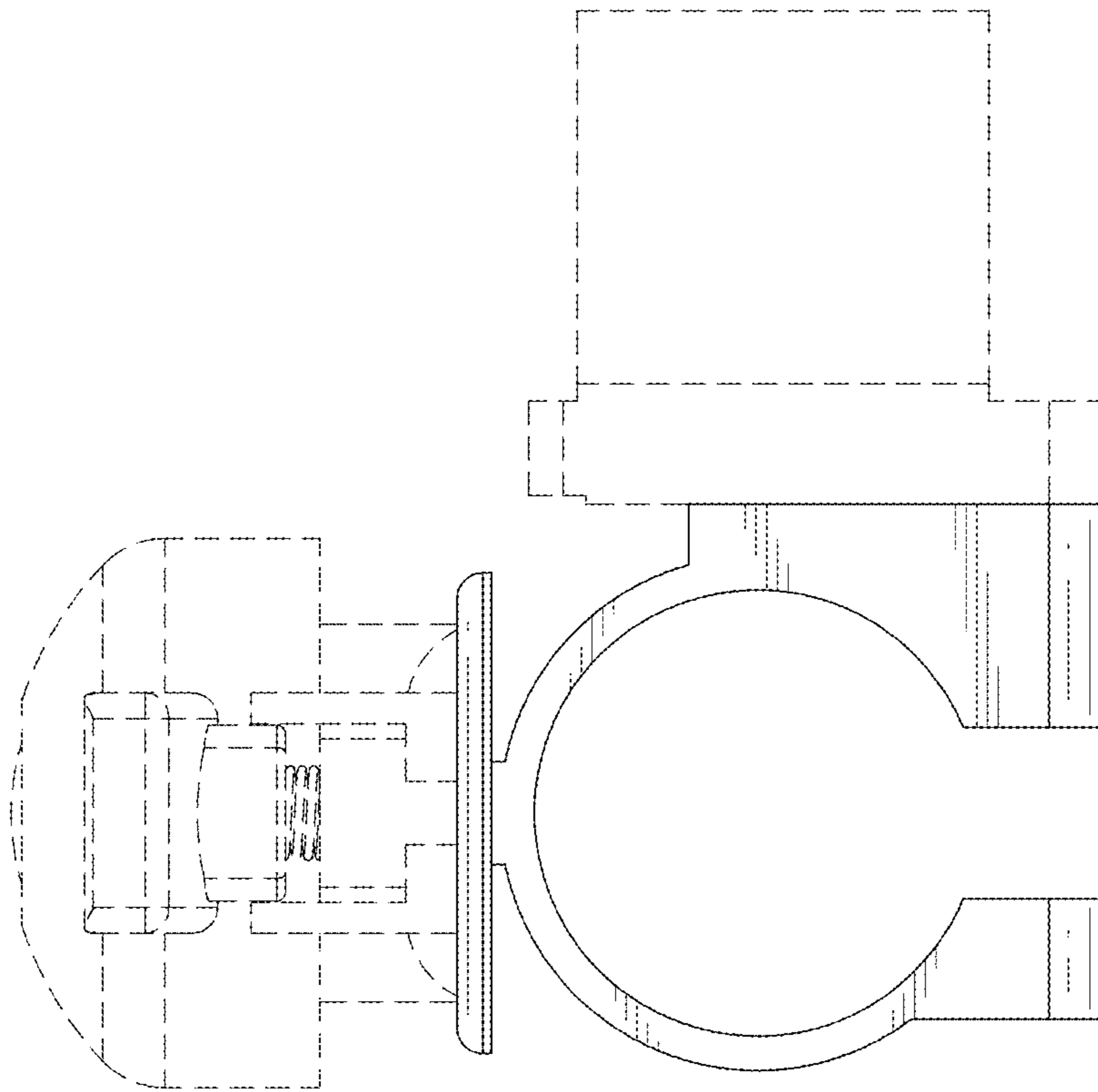


FIG. 3

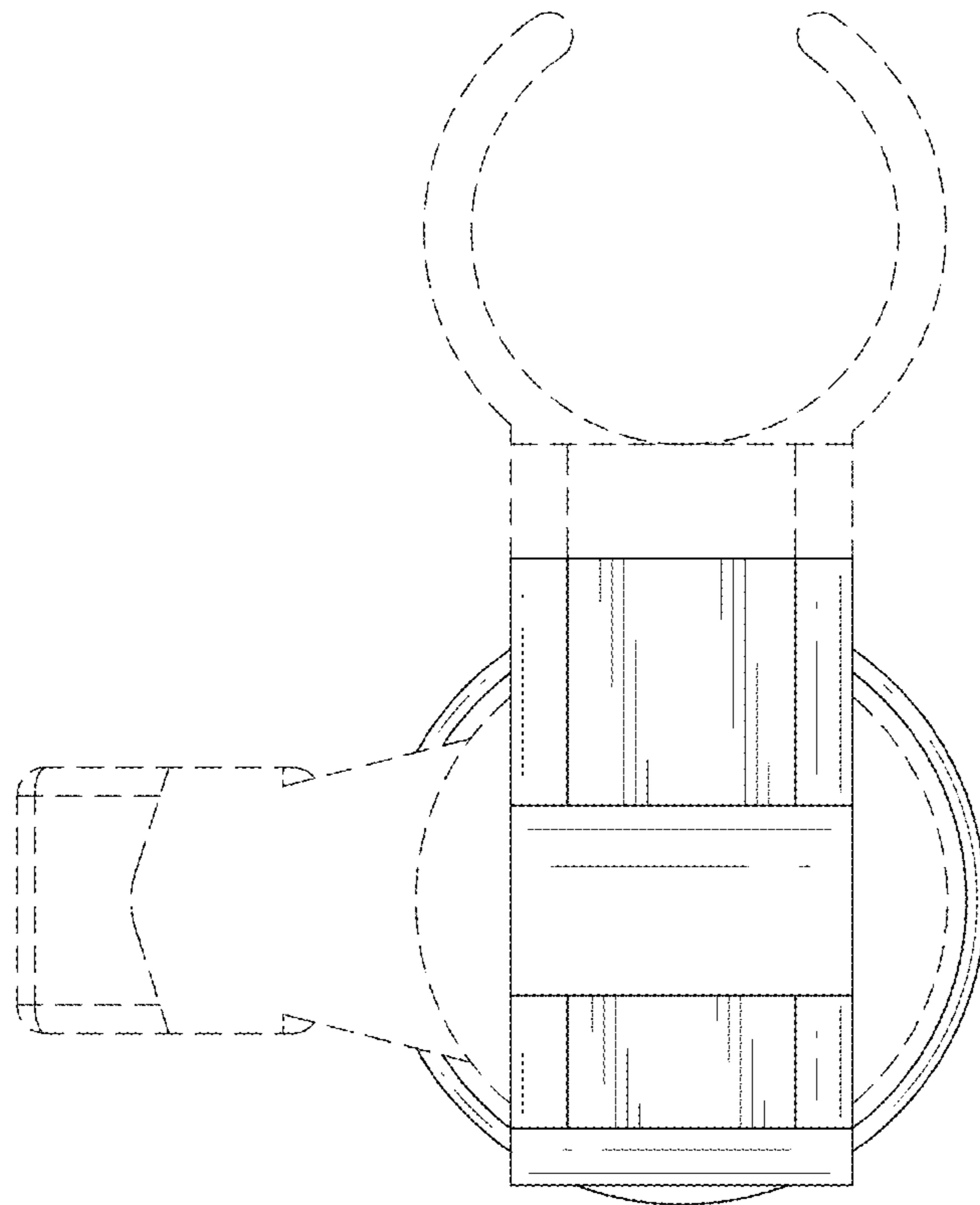


FIG. 4

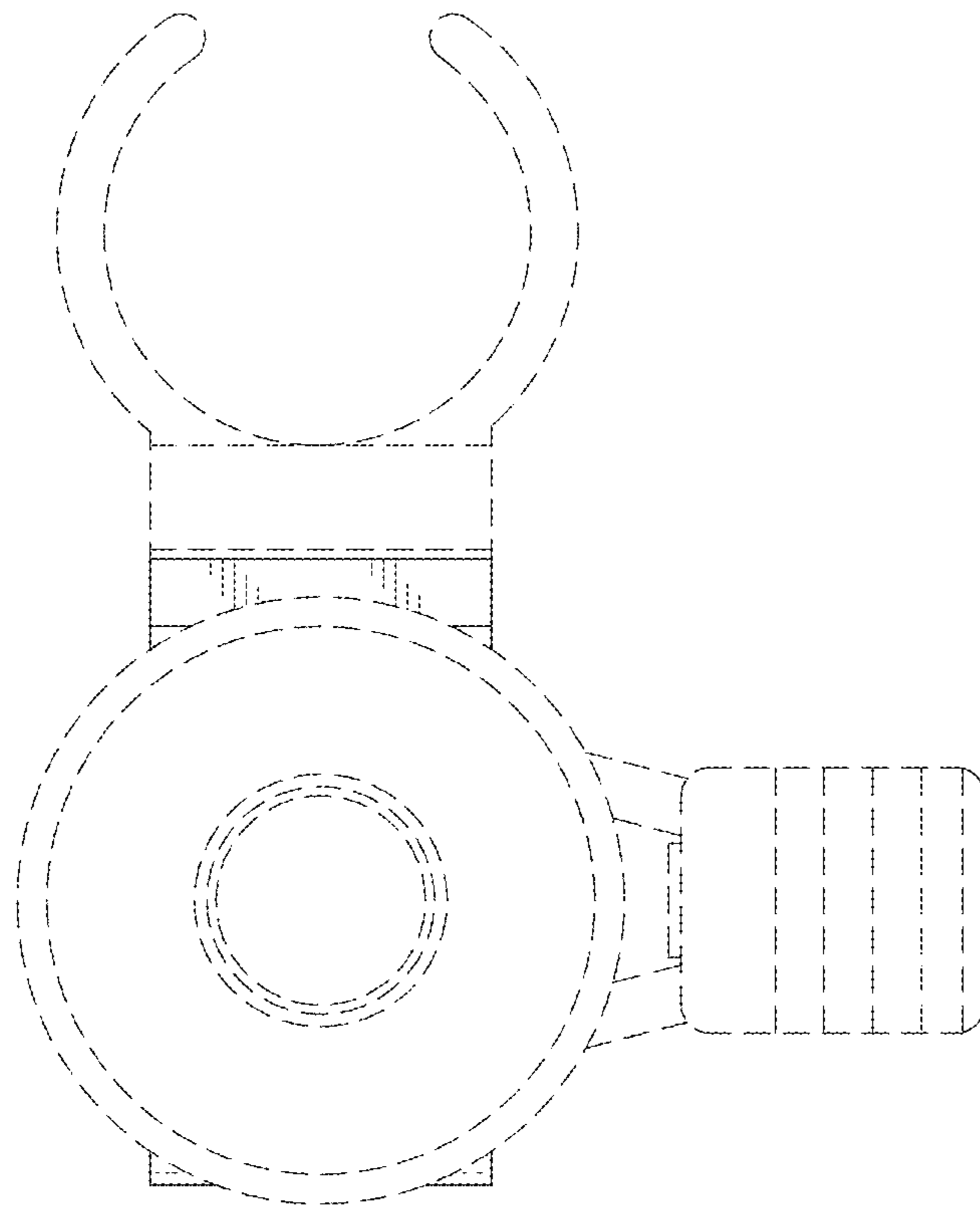


FIG. 5

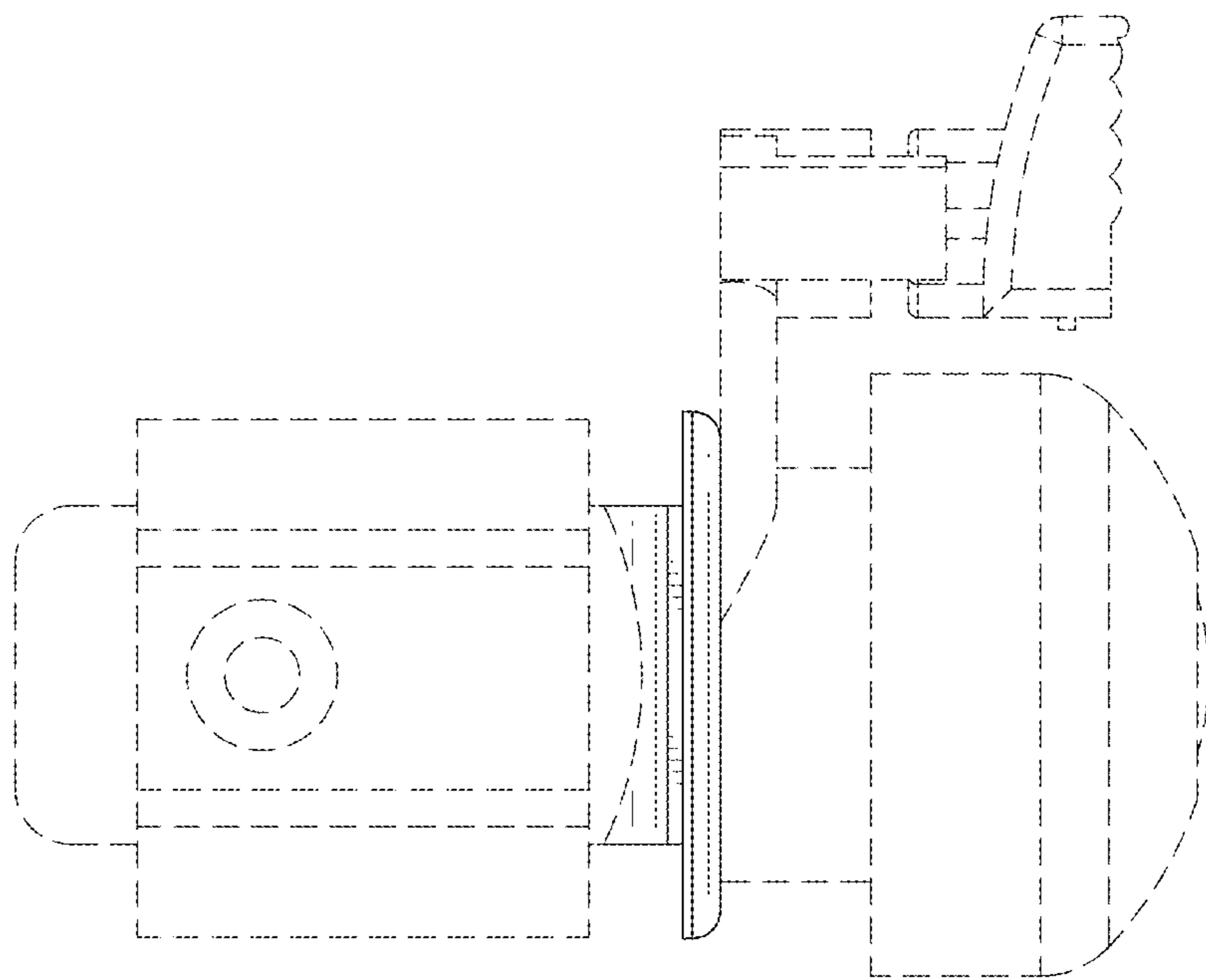


FIG. 6

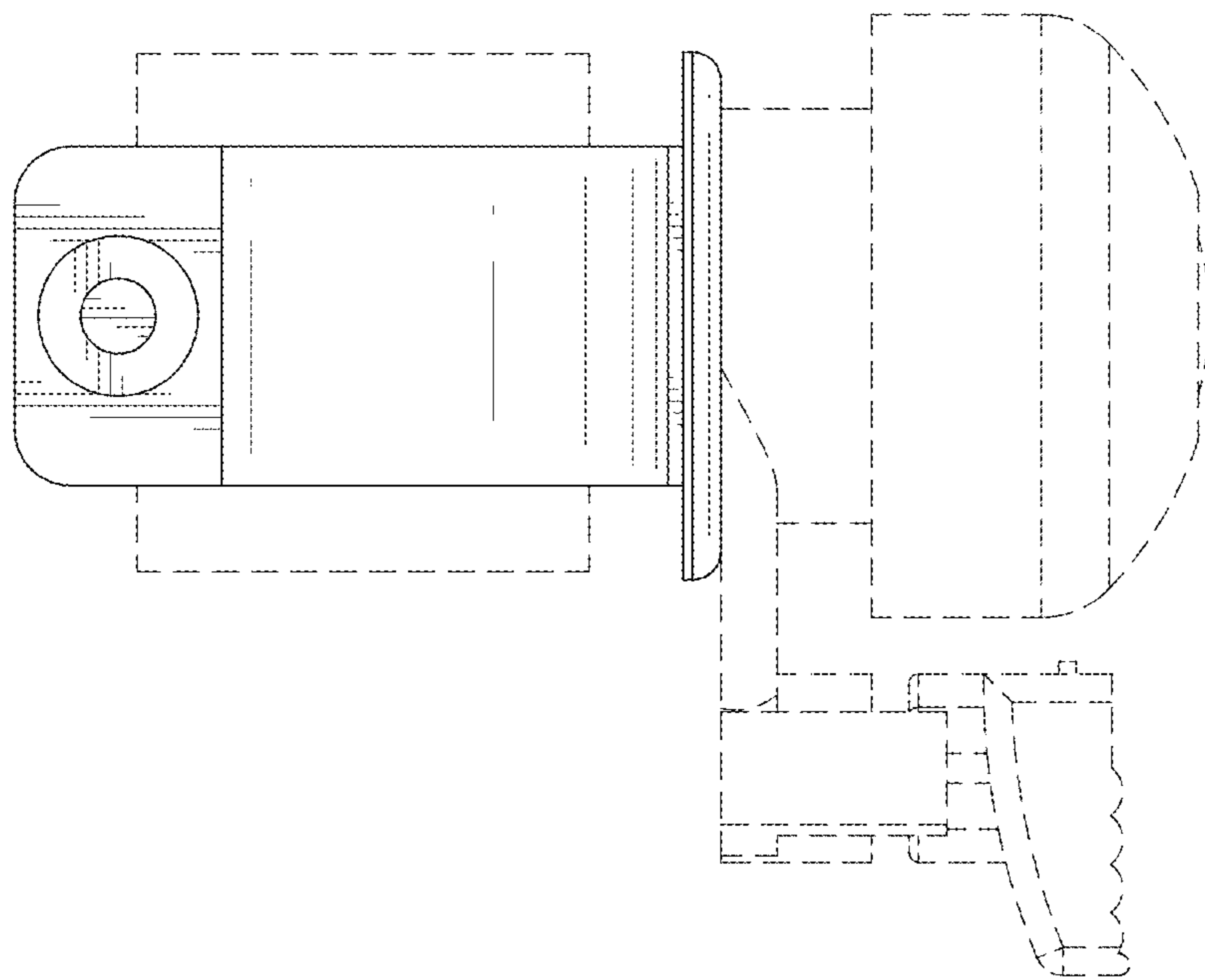


FIG. 7



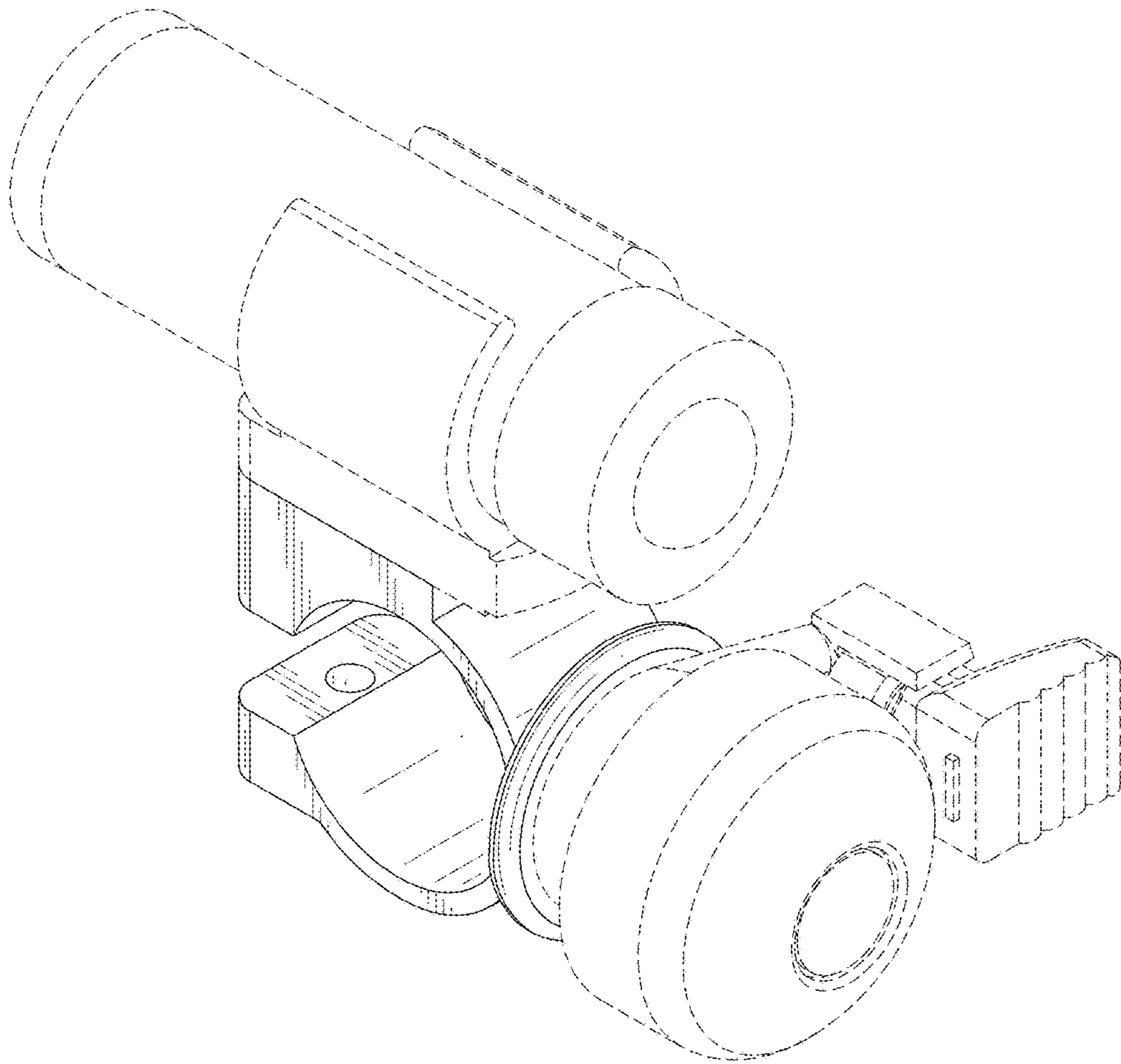


FIG. 8