



US00D779380S

(12) **United States Design Patent**
van den Berg

(10) **Patent No.:** **US D779,380 S**

(45) **Date of Patent:** **** Feb. 21, 2017**

(54) **TRAILER**

(71) Applicant: **Berg Toys Beheer B.V.**, Ede (NL)

(72) Inventor: **Hendrik van den Berg**, Wekerom (NL)

(73) Assignee: **Berg Toys Beheer B.V.**, Ede (NL)

(**) Term: **15 Years**

(21) Appl. No.: **29/532,217**

(22) Filed: **Jul. 2, 2015**

(30) **Foreign Application Priority Data**

Jan. 14, 2015 (EM) 002613273-0001

(51) **LOC (10) Cl.** **12-10**

(52) **U.S. Cl.**
USPC **D12/101**

(58) **Field of Classification Search**
USPC D12/106, 100-105, 19, 219, 111-112;
D21/425, 435; D34/21-26, 12, 16-19
CPC B62D 35/02; B62D 35/00; A62B 3/005;
B60P 3/10; B60P 3/1033; E01F 15/14
See application file for complete search history.

(56) **References Cited**

U.S. PATENT DOCUMENTS

D720,656 S * 1/2015 Glasener D12/101
D733,005 S * 6/2015 Erwin D12/101

D737,725 S * 9/2015 Bell D12/102
D738,806 S * 9/2015 Williamson D12/221
D742,815 S * 11/2015 Shaw D12/103
D751,469 S * 3/2016 Rackleff D12/162
D759,547 S * 6/2016 Van Wyk D12/102
D762,145 S * 7/2016 Van Bosstraeten D12/102
D764,353 S * 8/2016 Lambert D12/101

* cited by examiner

Primary Examiner — Katrina A Betton

(74) *Attorney, Agent, or Firm* — Chiesa Shahinian & Giantomasi PC

(57) **CLAIM**

The ornamental design for a trailer, as shown and described.

DESCRIPTION

FIG. 1 a front isometric view of a new design for a trailer;
FIG. 2 is a top view thereof;
FIG. 3 is a front view thereof;
FIG. 4 is a rear view thereof;
FIG. 5 is a left side view thereof;
FIG. 6 is a right side view thereof;
FIG. 7 is a rear isometric view thereof; and,
FIG. 8 is a bottom view thereof.

1 Claim, 4 Drawing Sheets

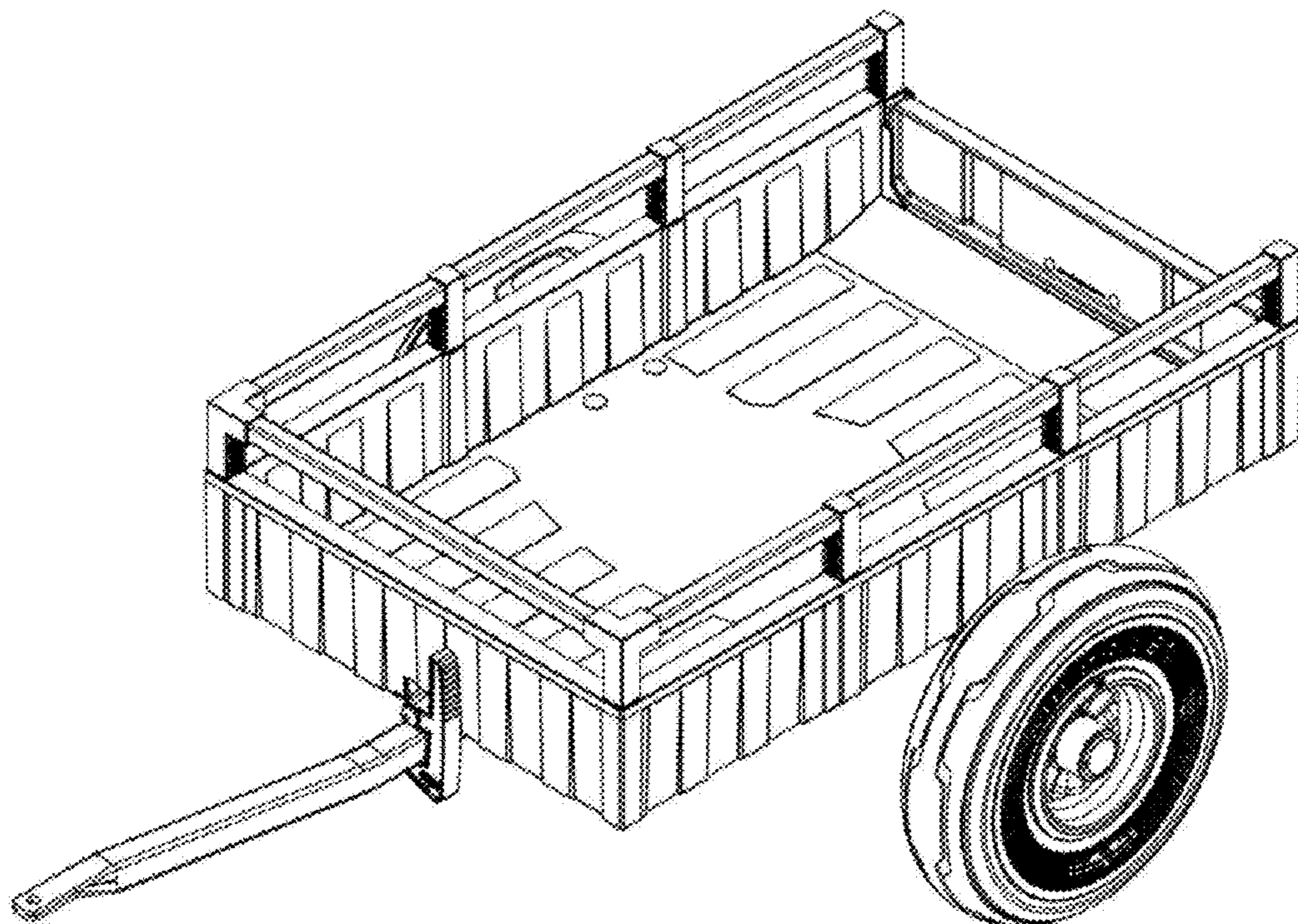


FIG. 1

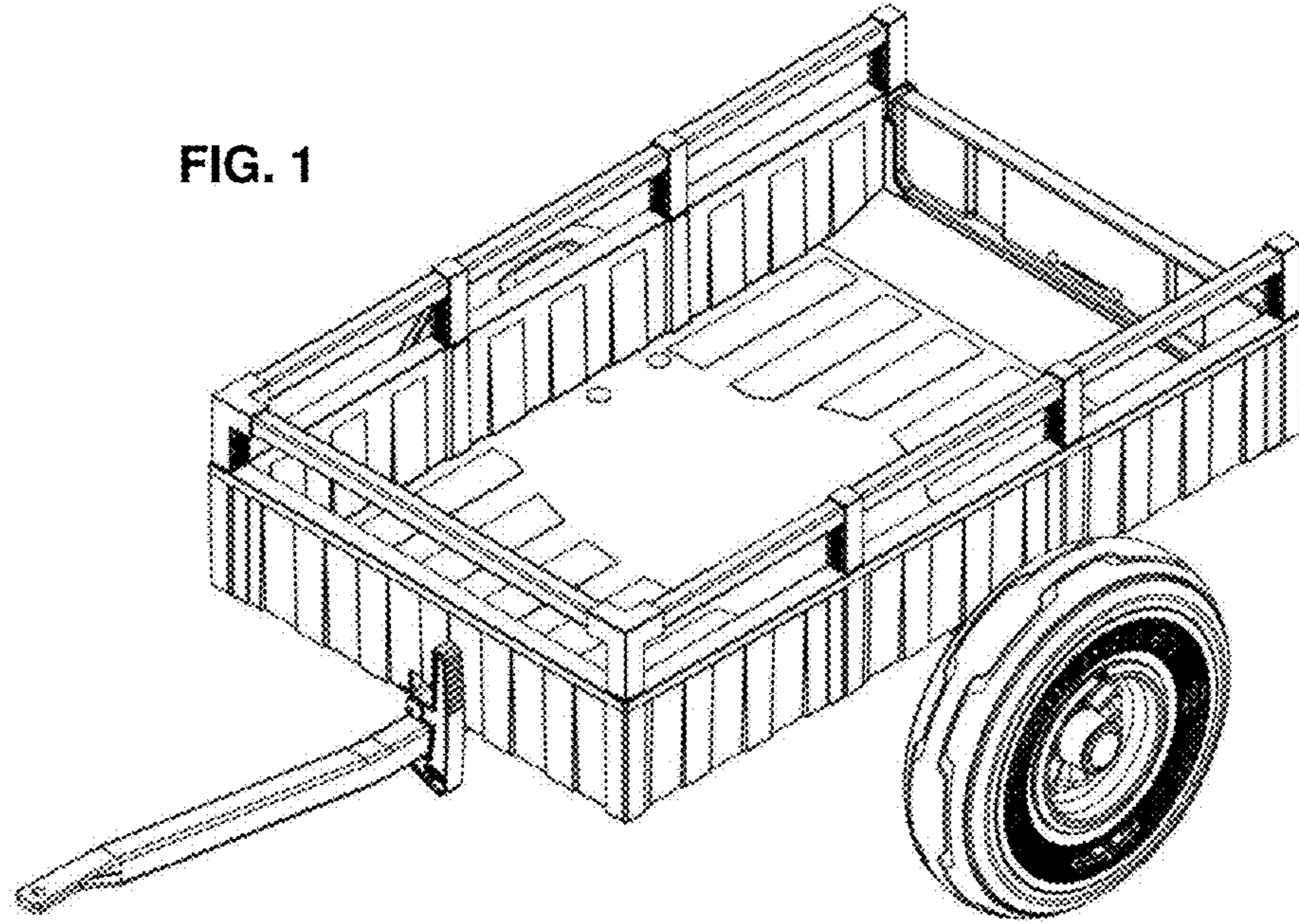
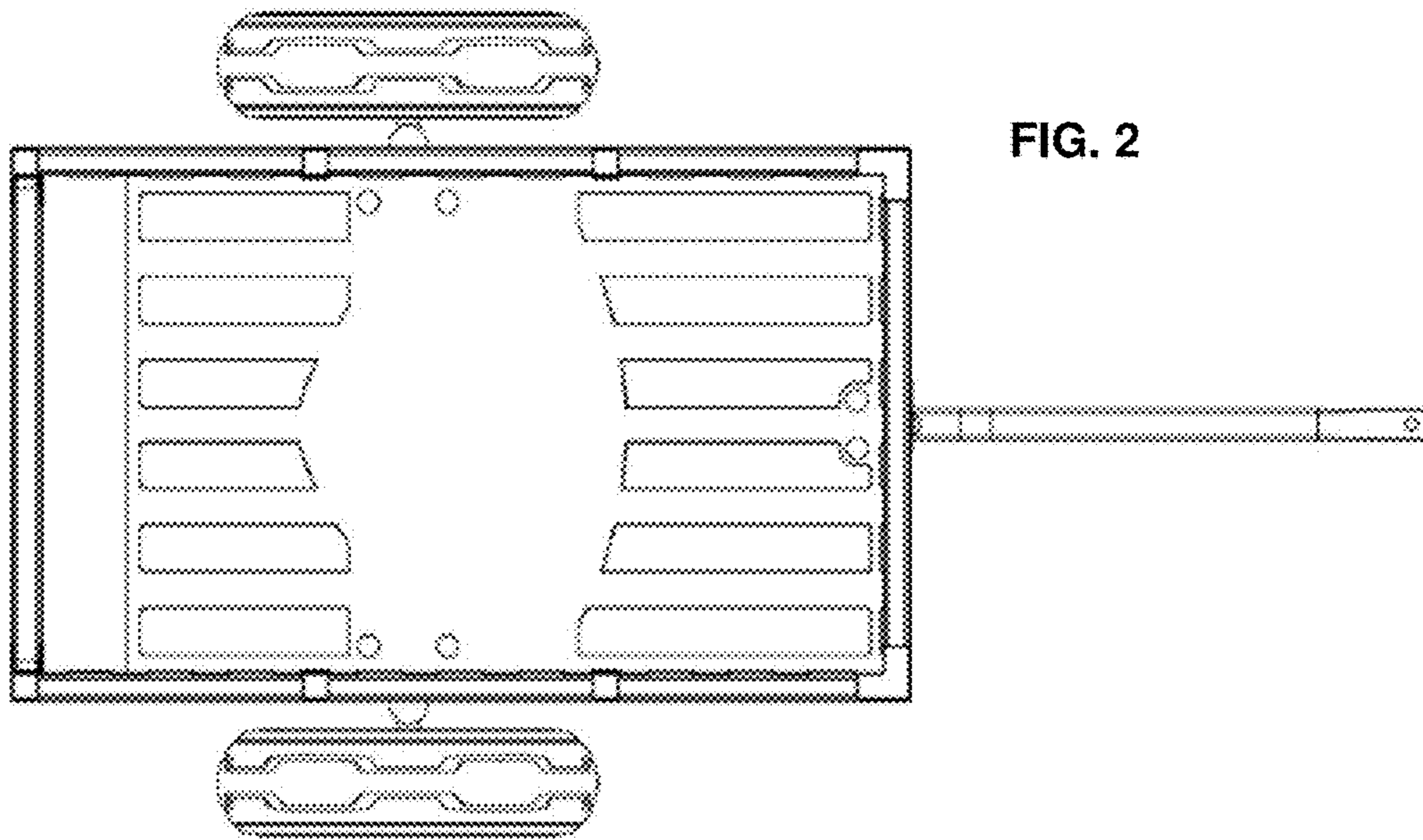


FIG. 2



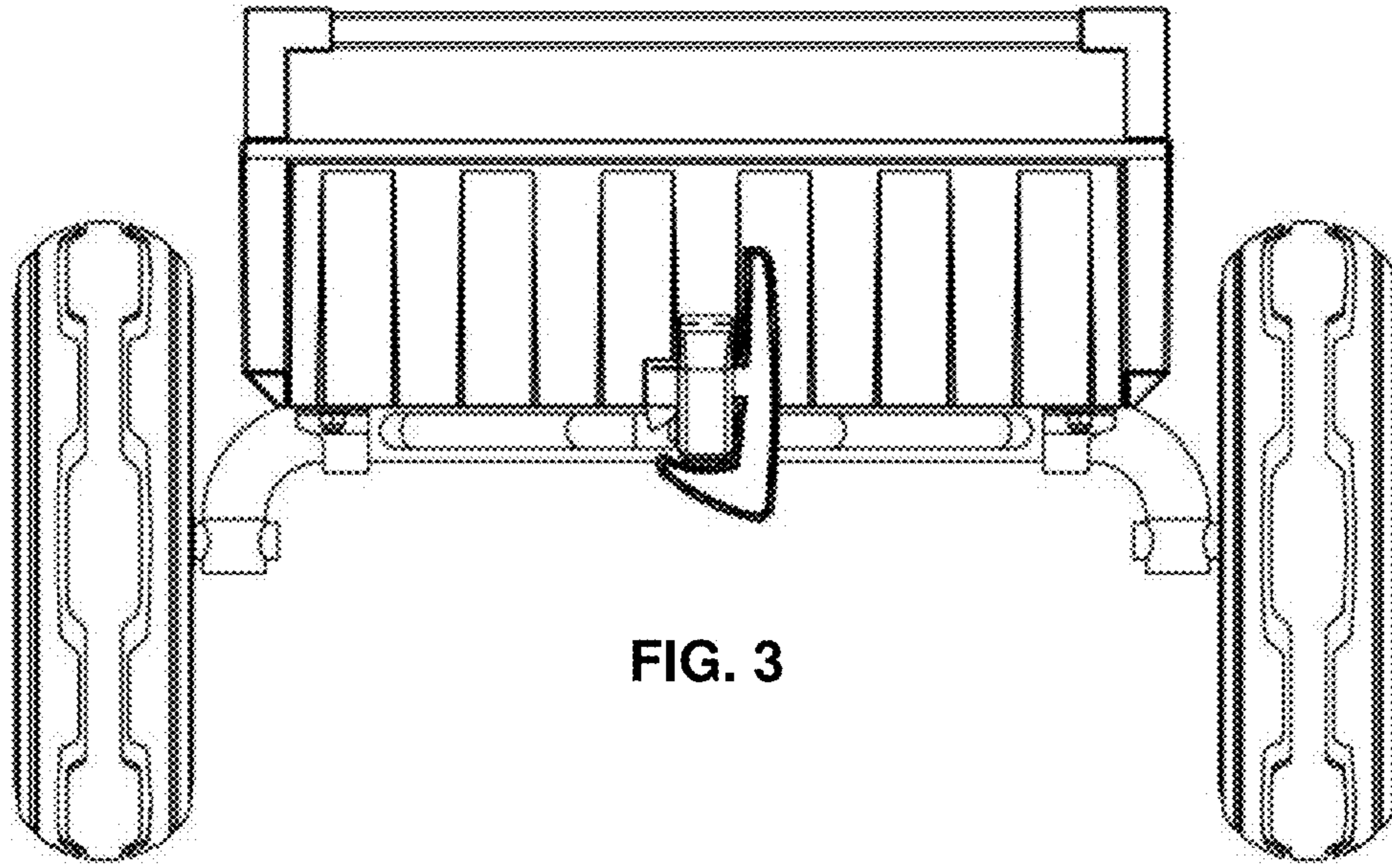


FIG. 3

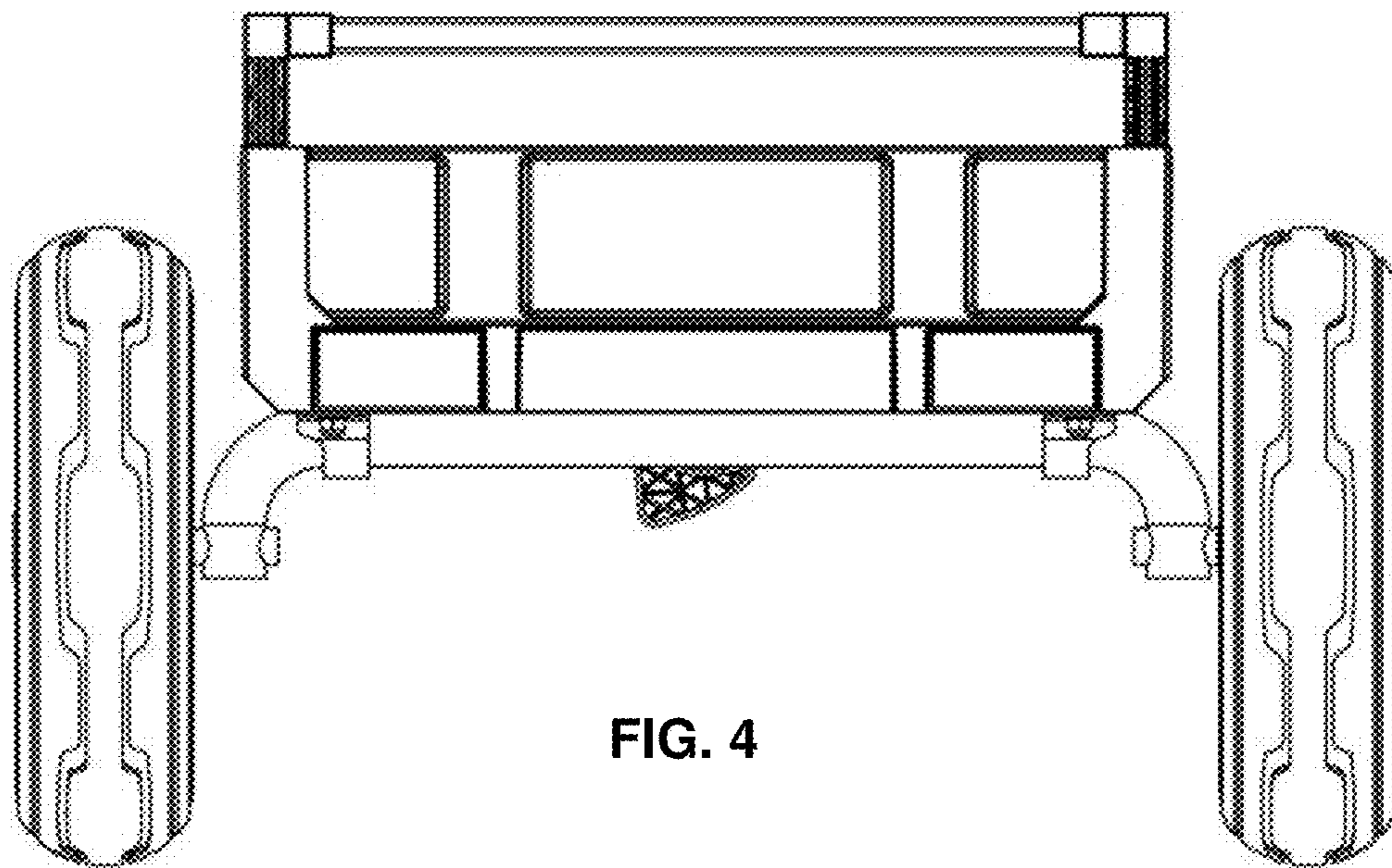


FIG. 4

FIG. 5

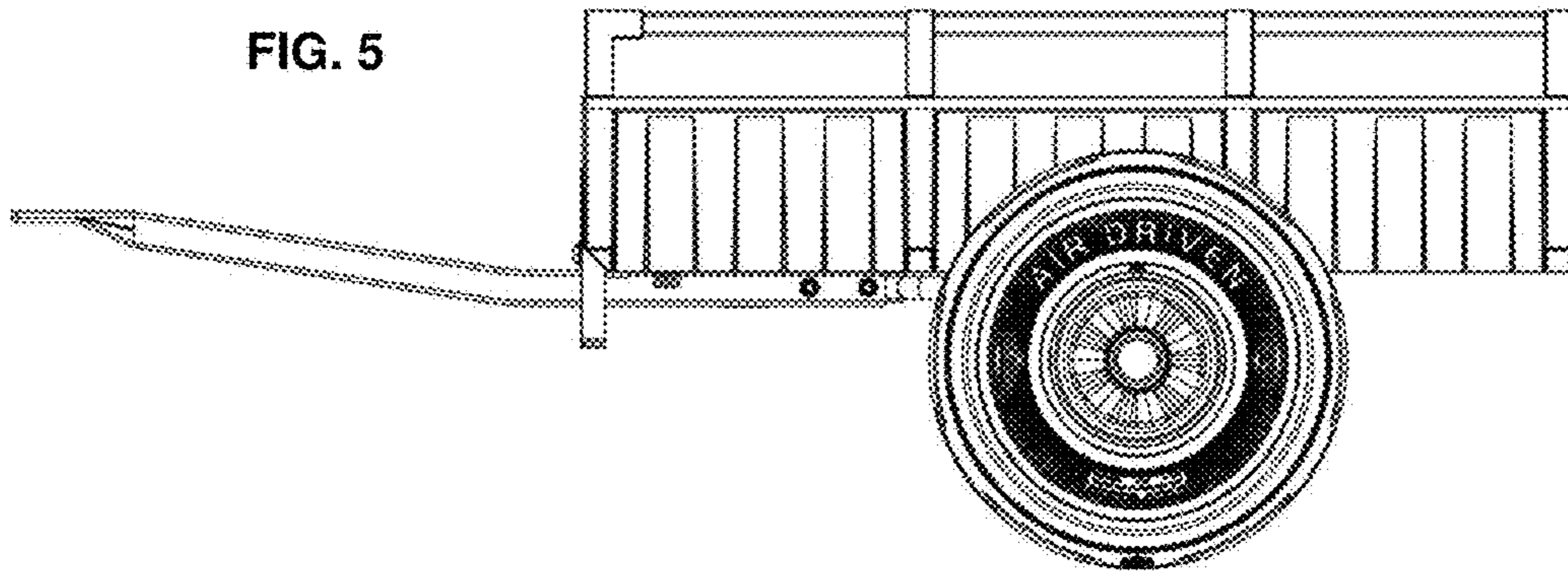
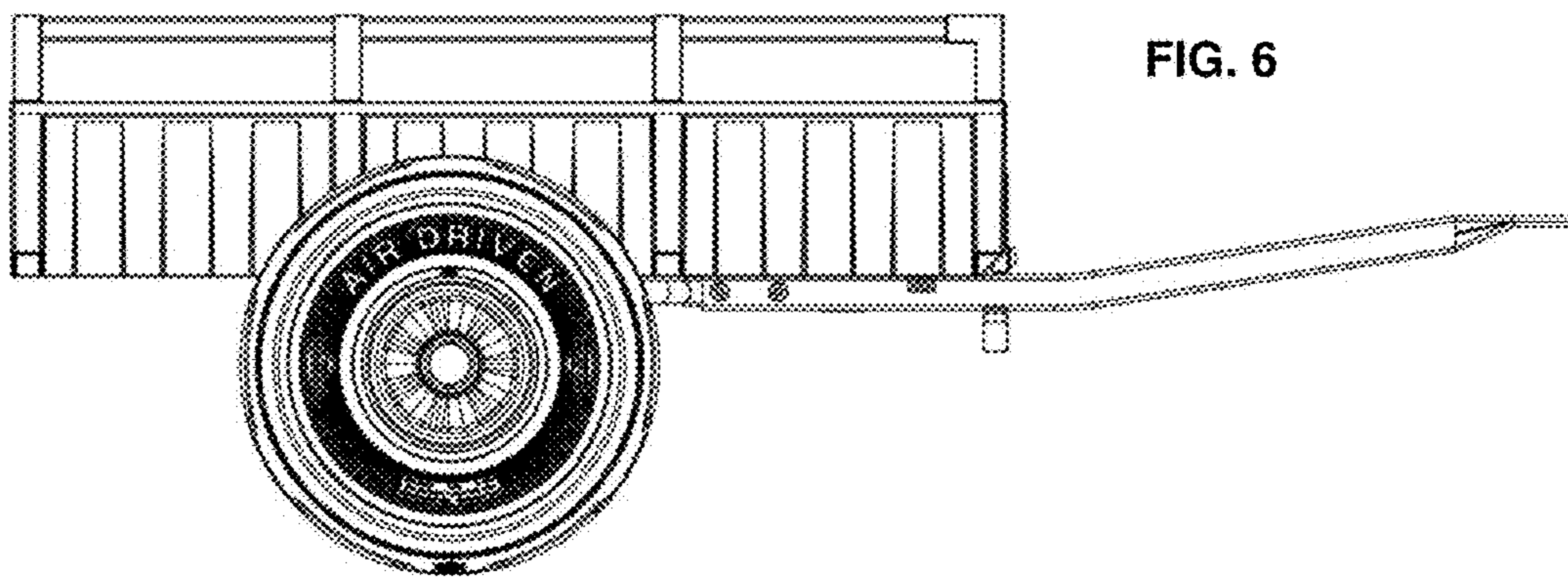


FIG. 6



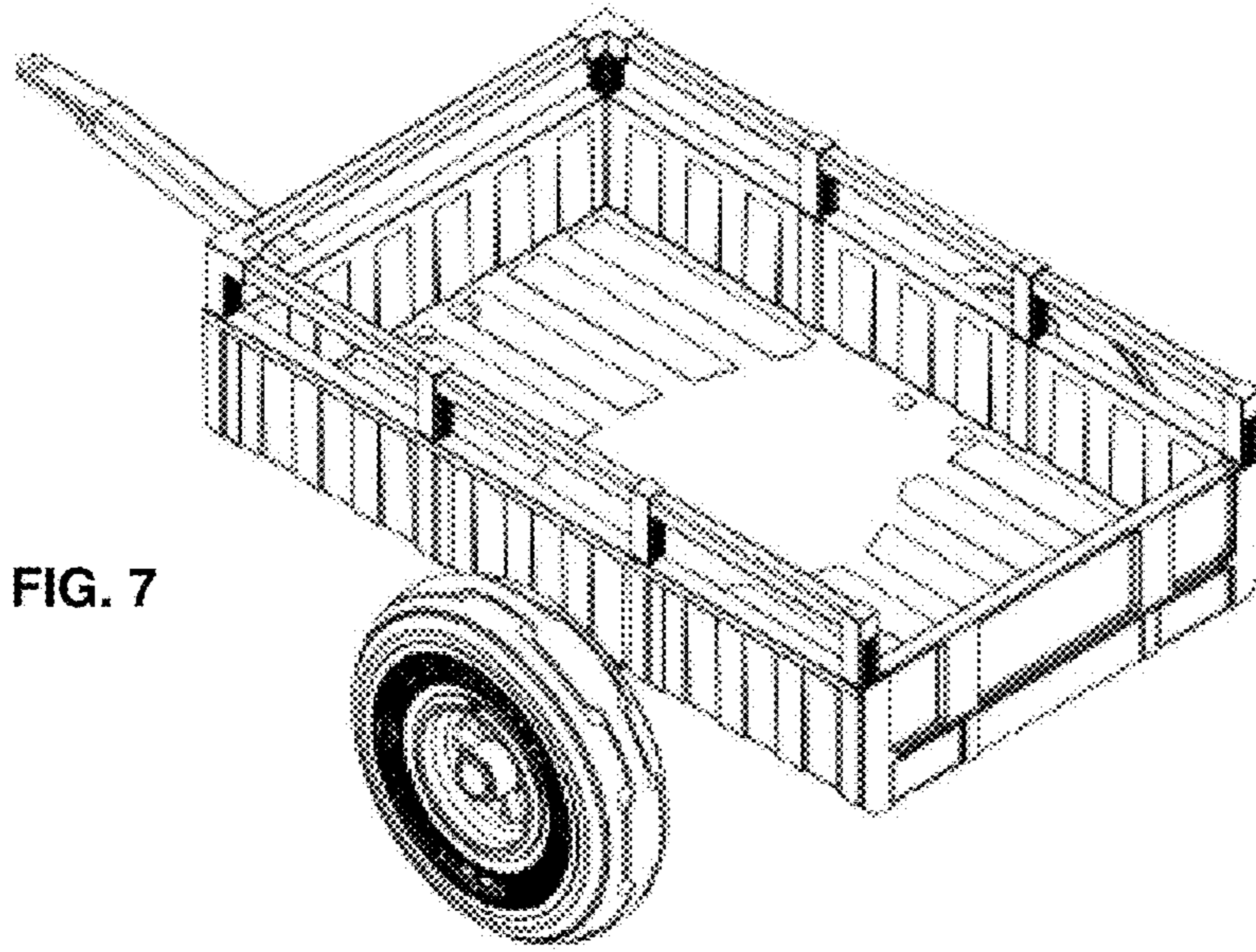


FIG. 7

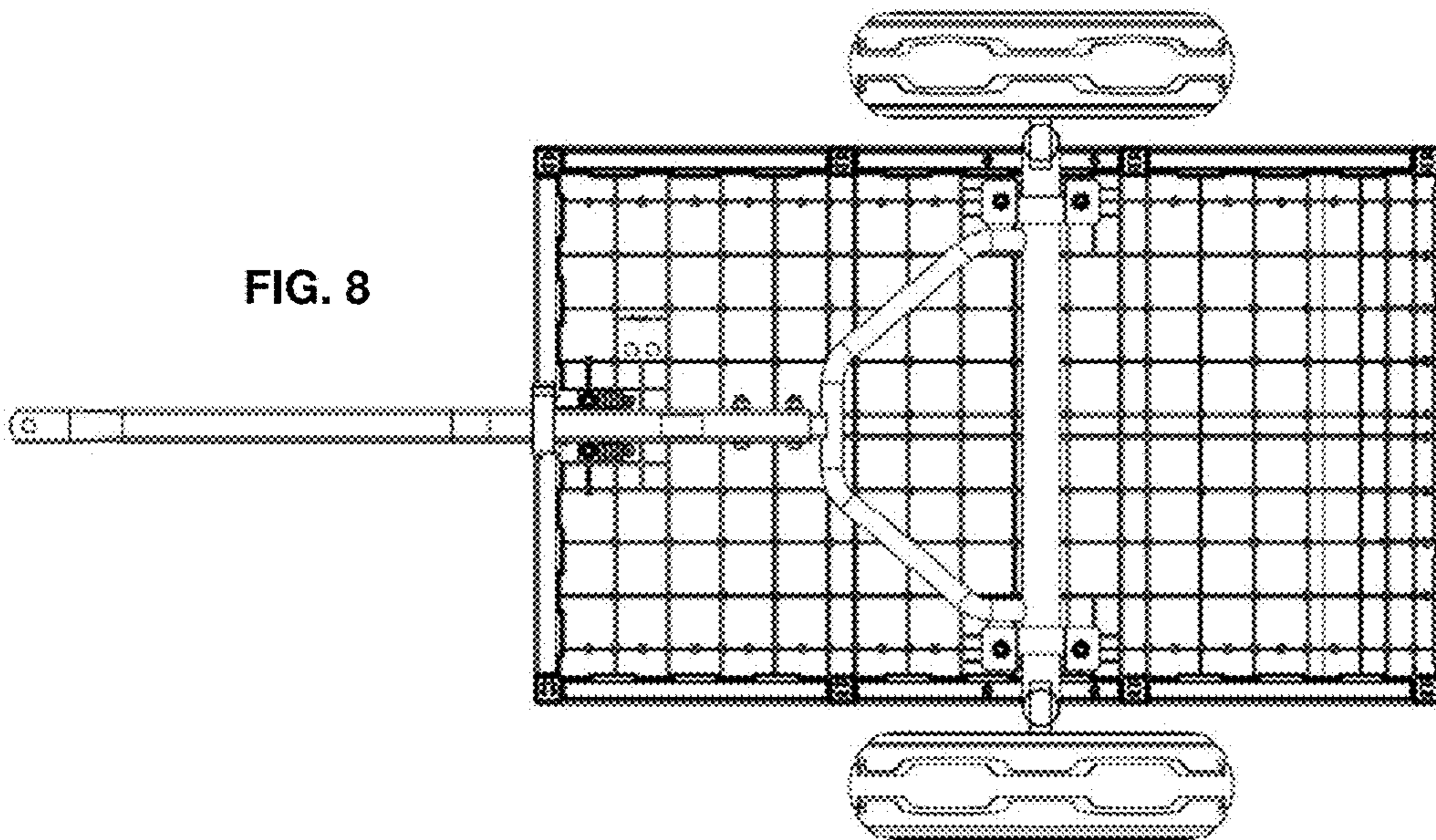


FIG. 8