



US00D779379S

(12) **United States Design Patent** (10) **Patent No.:** **US D779,379 S**
Jelec (45) **Date of Patent:** **** Feb. 21, 2017**

(54) **VEHICLE**

(71) Applicant: **Jaguar Land Rover Limited**, Whitley, Coventry (GB)

(72) Inventor: **Tadeusz Jelec**, Coventry (GB)

(73) Assignee: **Jaguar Land Rover Limited**, Whitley, Coventry (GB)

(**) Term: **14 Years**

(21) Appl. No.: **29/525,938**

(22) Filed: **May 5, 2015**

(30) **Foreign Application Priority Data**

Nov. 13, 2014 (EM) 002577346

(51) **LOC (10) Cl.** **12-08**

(52) **U.S. Cl.**
USPC **D12/92**

(58) **Field of Classification Search**
USPC D12/86, 90-92, 88; D21/421, 433, 434;
296/181.1, 181.5
CPC B62D 35/00; B62D 25/00; B62D 25/06;
B62D 33/00

See application file for complete search history.

(56) **References Cited**

U.S. PATENT DOCUMENTS

D704,101 S * 5/2014 Beaven D12/92
D726,074 S * 4/2015 Beaven D12/92
D740,177 S * 10/2015 Callum D12/92
D741,226 S * 10/2015 Callum D12/92
D744,902 S * 12/2015 Callum D12/92

(Continued)

Primary Examiner — Melody N Brown

(74) *Attorney, Agent, or Firm* — Wood Herron & Evans LLP

(57) **CLAIM**

The ornamental design for a vehicle, as shown and described.

DESCRIPTION

FIG. 1 is a right front perspective view of a vehicle showing my new design;

FIG. 2 is a left rear perspective view thereof.

FIG. 3 is a front view thereof.

FIG. 4 is a rear view thereof.

FIG. 5 is a left side view thereof.

FIG. 6 is a right side view thereof.

FIG. 7 is a top view thereof.

FIG. 8 is a right front perspective view of a second embodiment of a vehicle showing my new, with the interior of the vehicle shown in broken lines which form no part of the claimed design;

FIG. 9 is a left rear perspective view of the vehicle shown in FIG. 8.

FIG. 10 is a left side view thereof.

FIG. 11 is a right side view thereof.

FIG. 12 is a front view thereof.

FIG. 13 is a rear view thereof.

FIG. 14 is a top view thereof.

FIG. 15 is a right front perspective view of a third embodiment of a vehicle showing my new, with the top of the vehicle in a closed position.

FIG. 16 is a left rear perspective view of the vehicle shown in FIG. 15.

FIG. 17 is a front view thereof.

FIG. 18 is a rear view thereof.

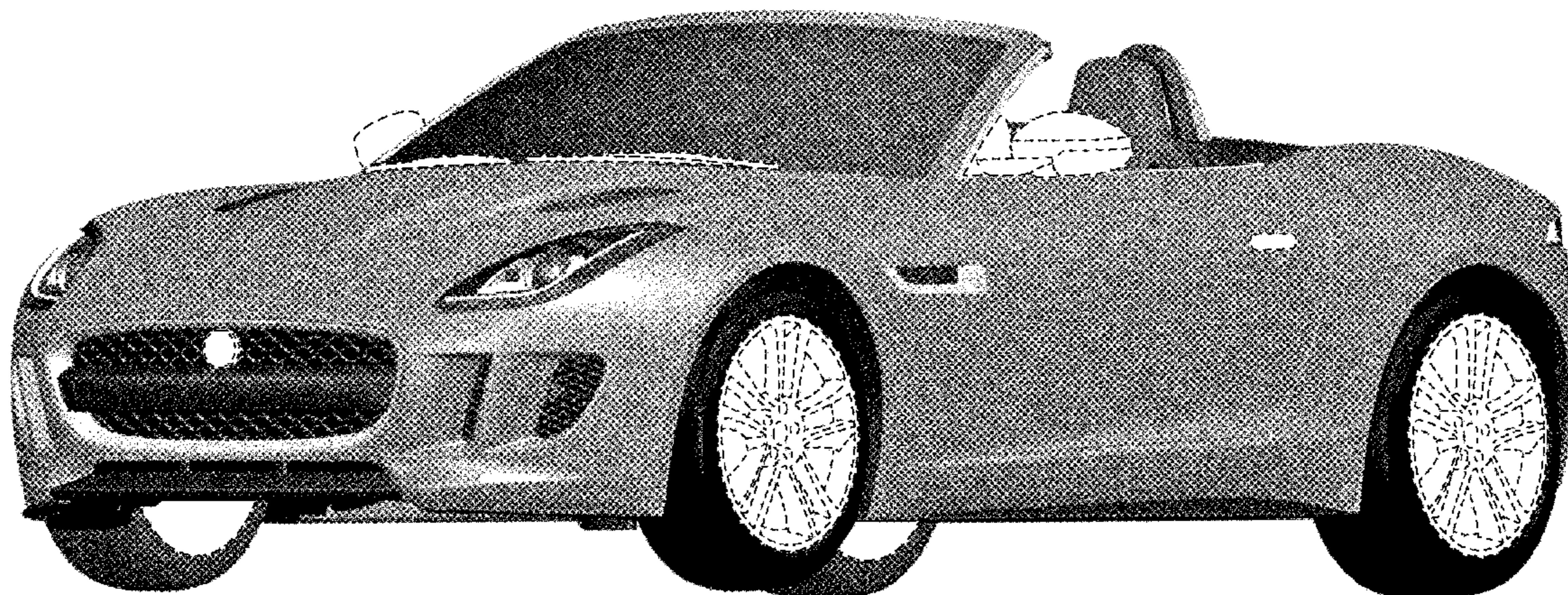
FIG. 19 is a left side view thereof.

FIG. 20 is a right side view thereof; and,

FIG. 21 is a top view thereof.

Any elements shown in broken lines form no part of the claimed invention, but instead show environmental aspects thereof. The broken lines adjacent to a shaded portion form an unclaimed boundary of the design.

1 Claim, 15 Drawing Sheets



(56)

References Cited

U.S. PATENT DOCUMENTS

D744,903 S * 12/2015 Jelec D12/92

* cited by examiner

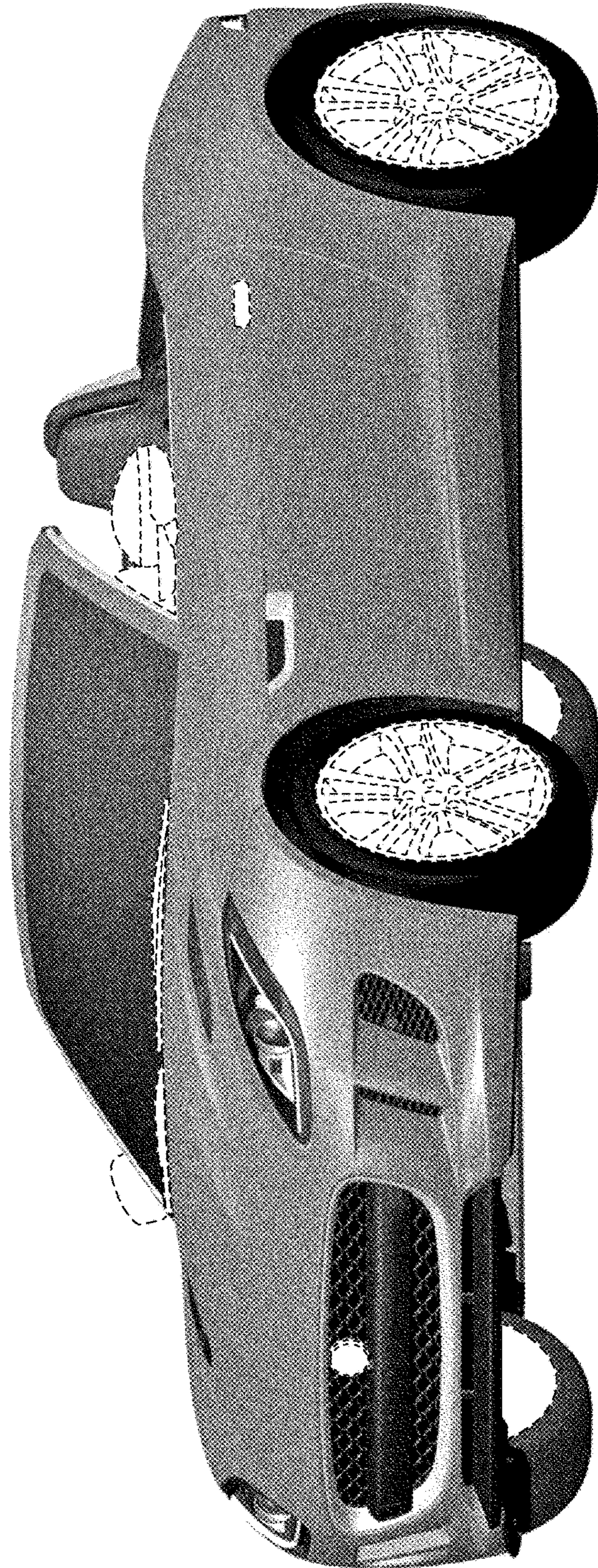


FIG. 1

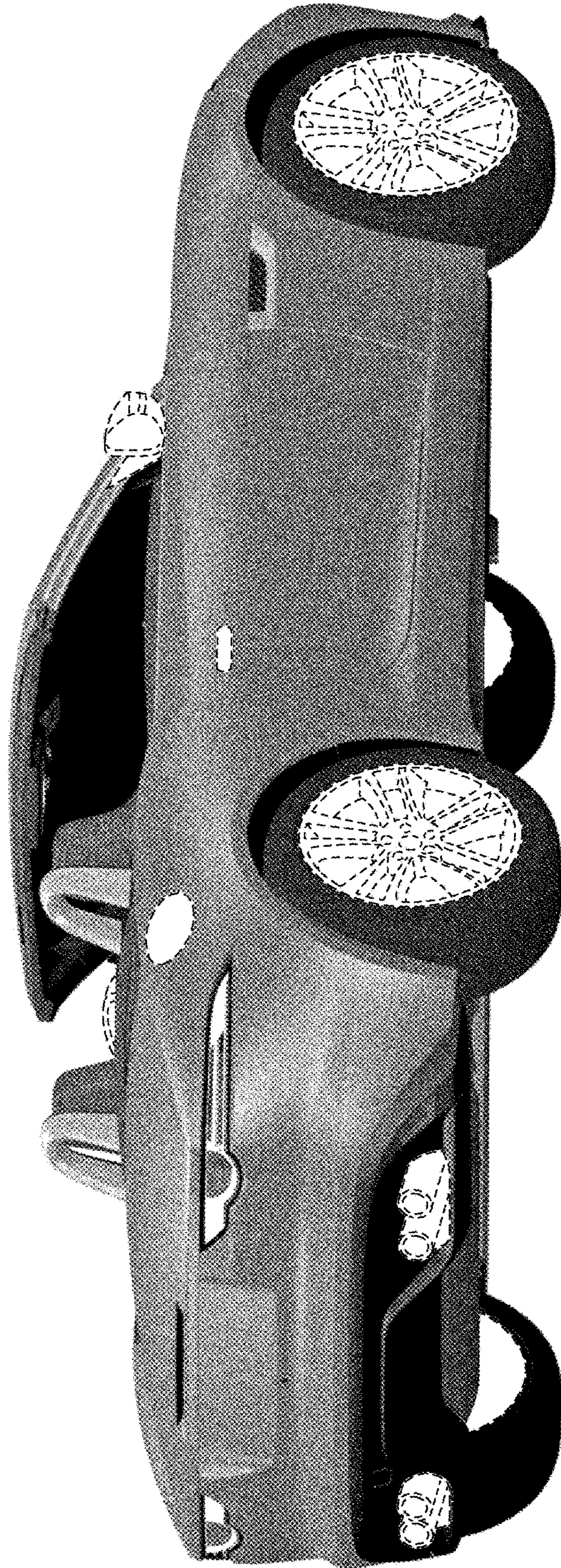


FIG. 2



FIG. 3

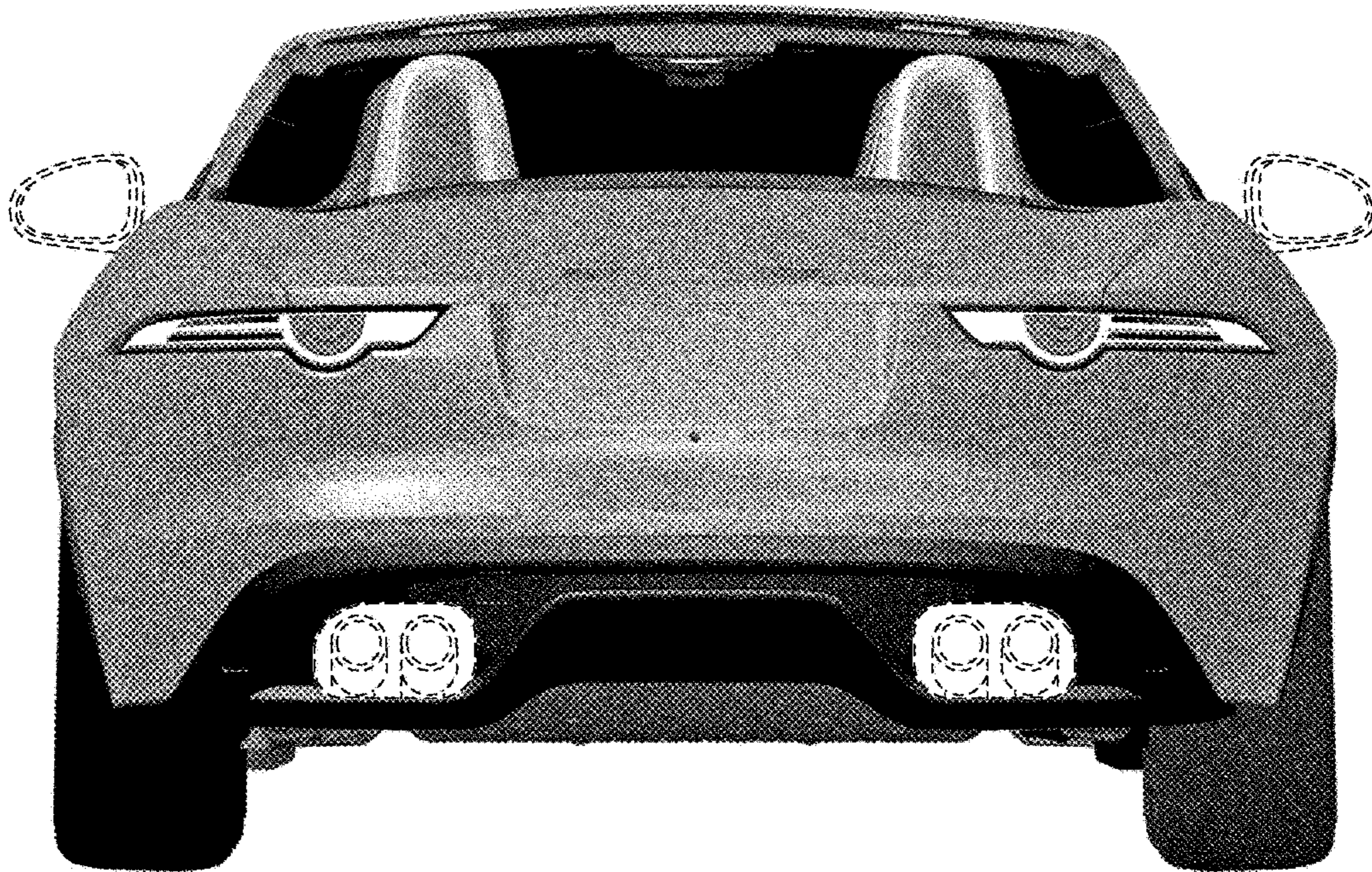


FIG. 4

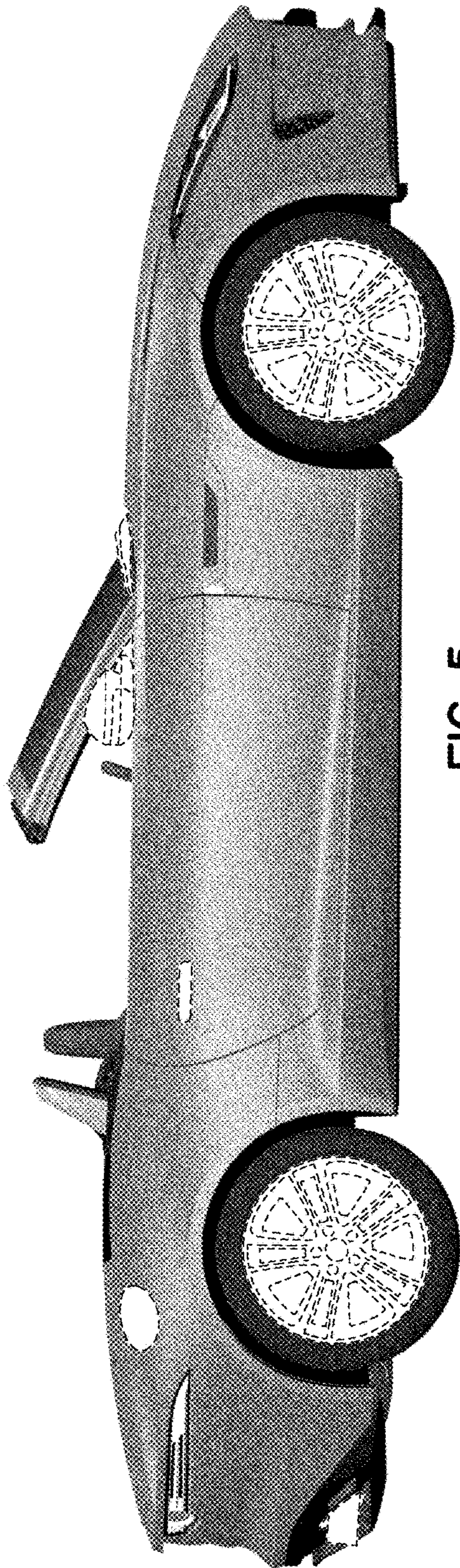


FIG. 5



FIG. 6

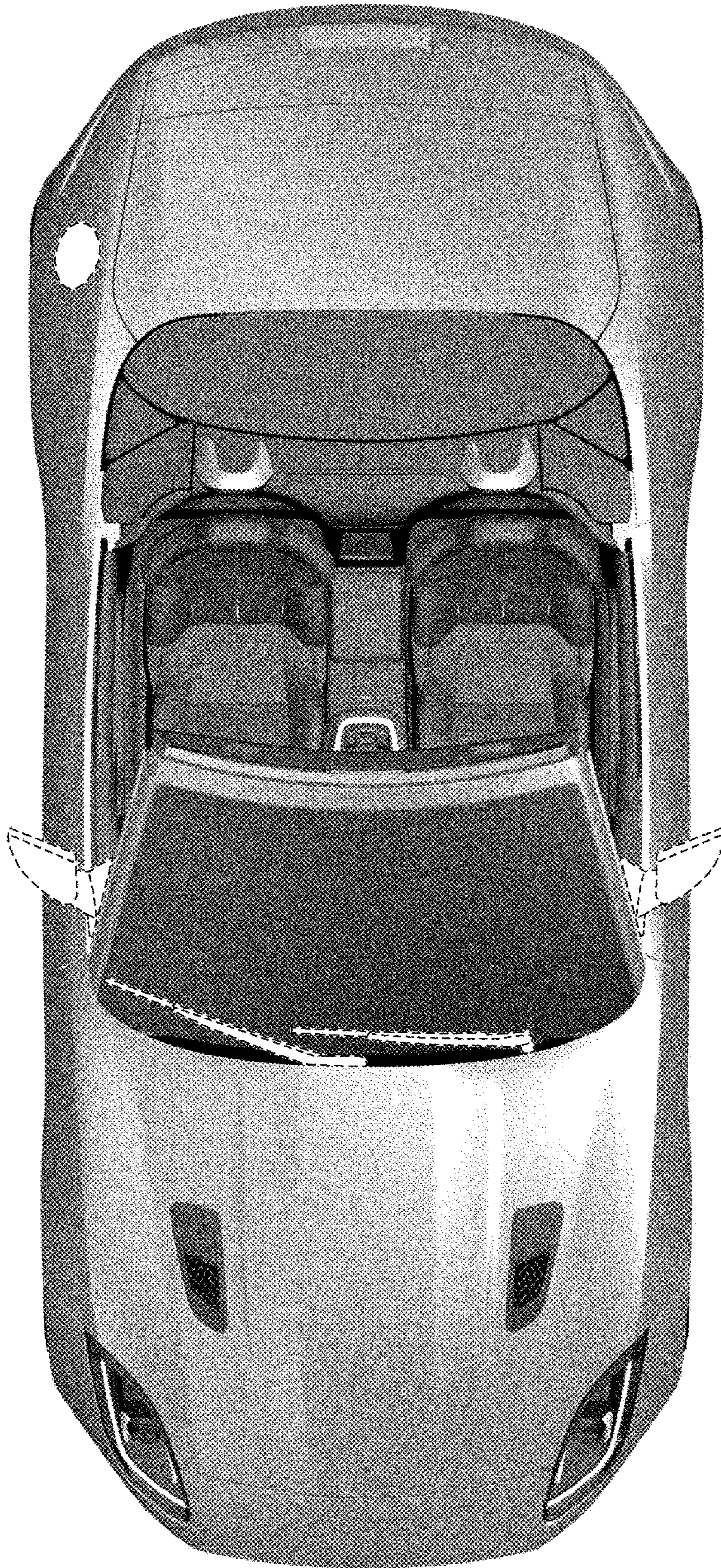


FIG. 7

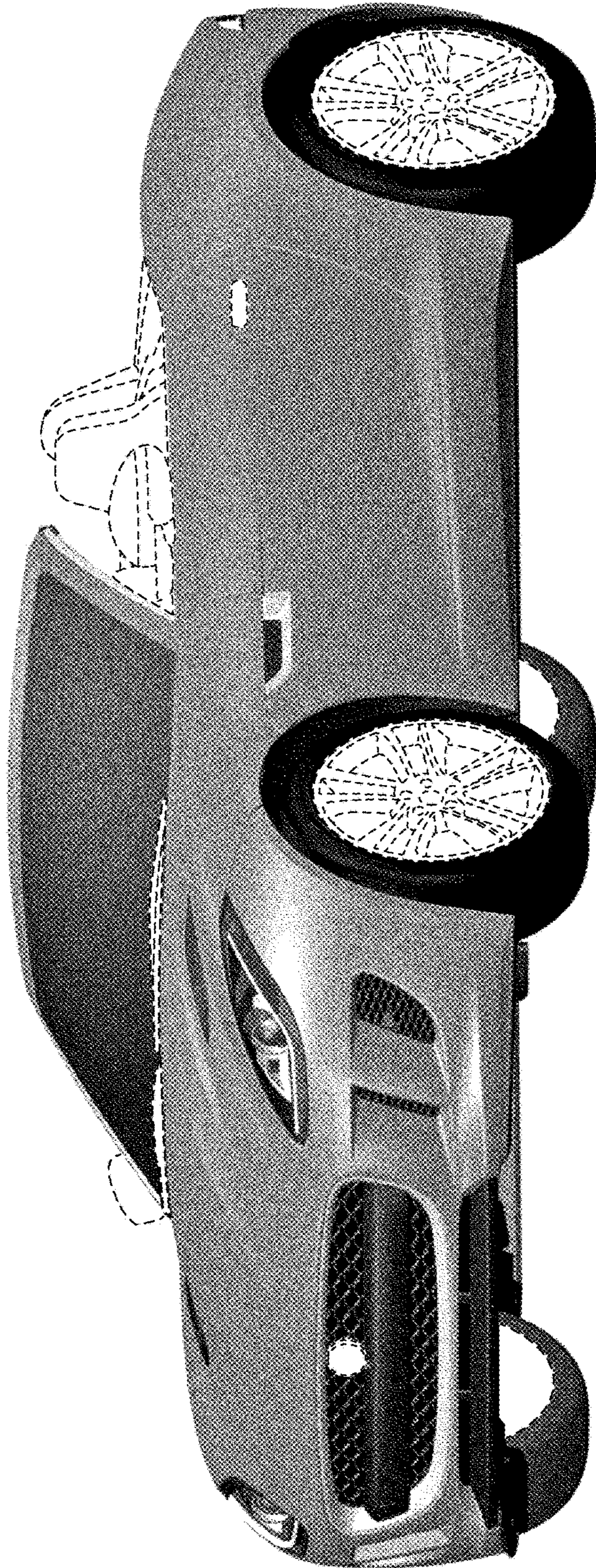


FIG. 8

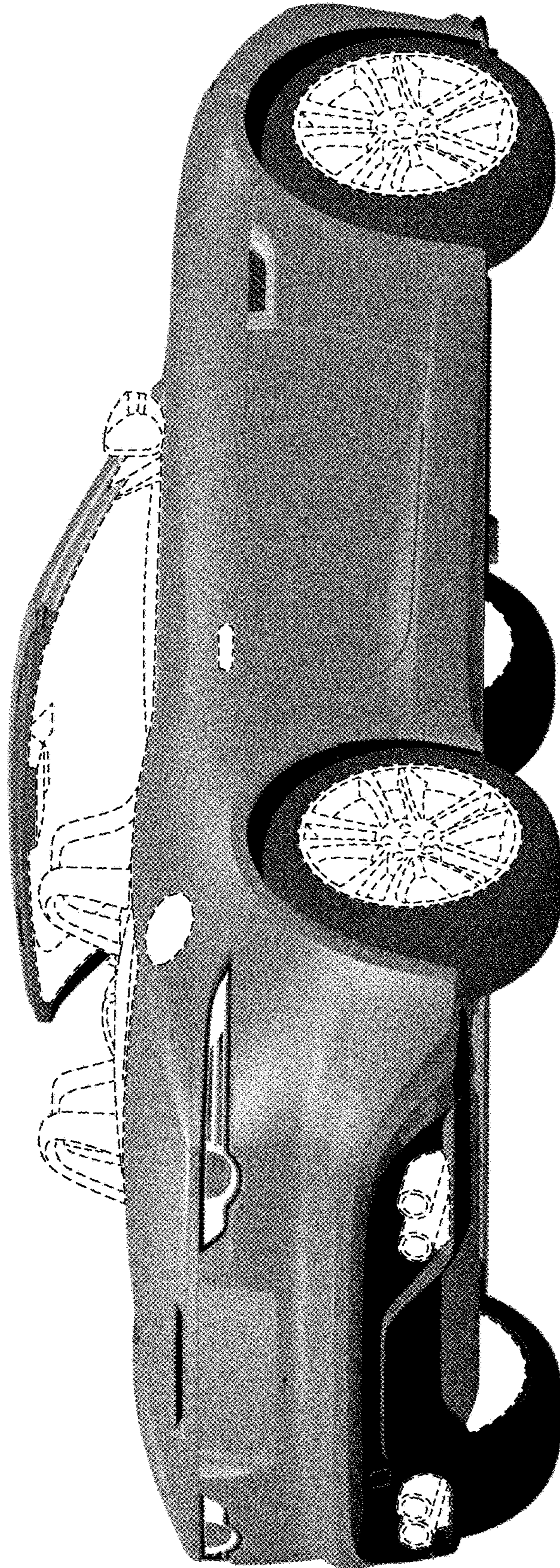


FIG. 9

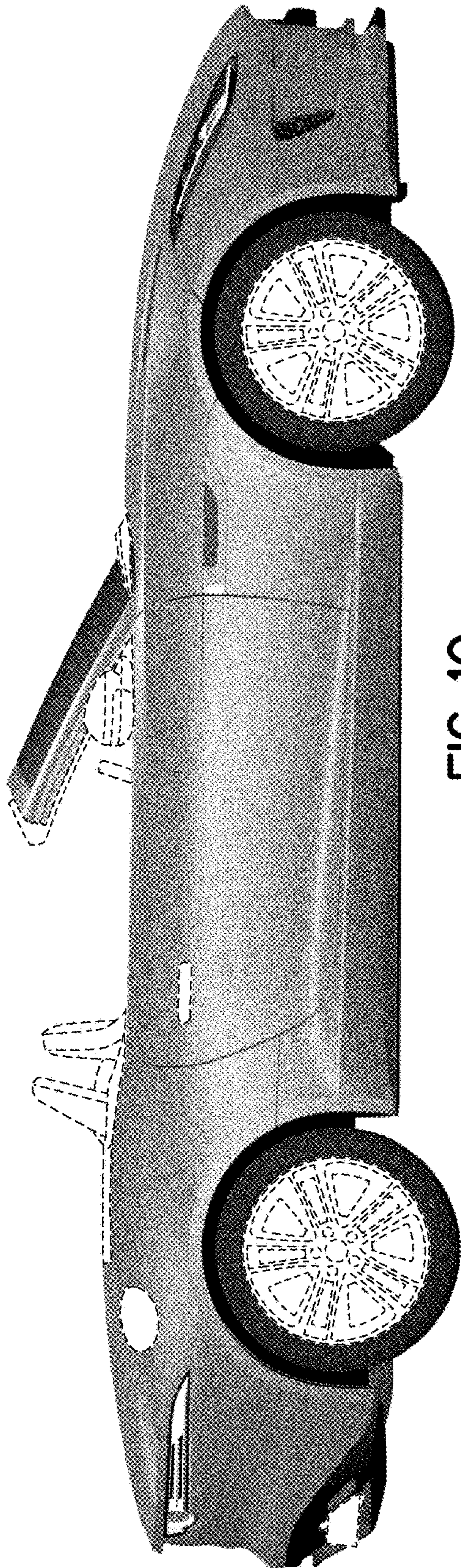


FIG. 10

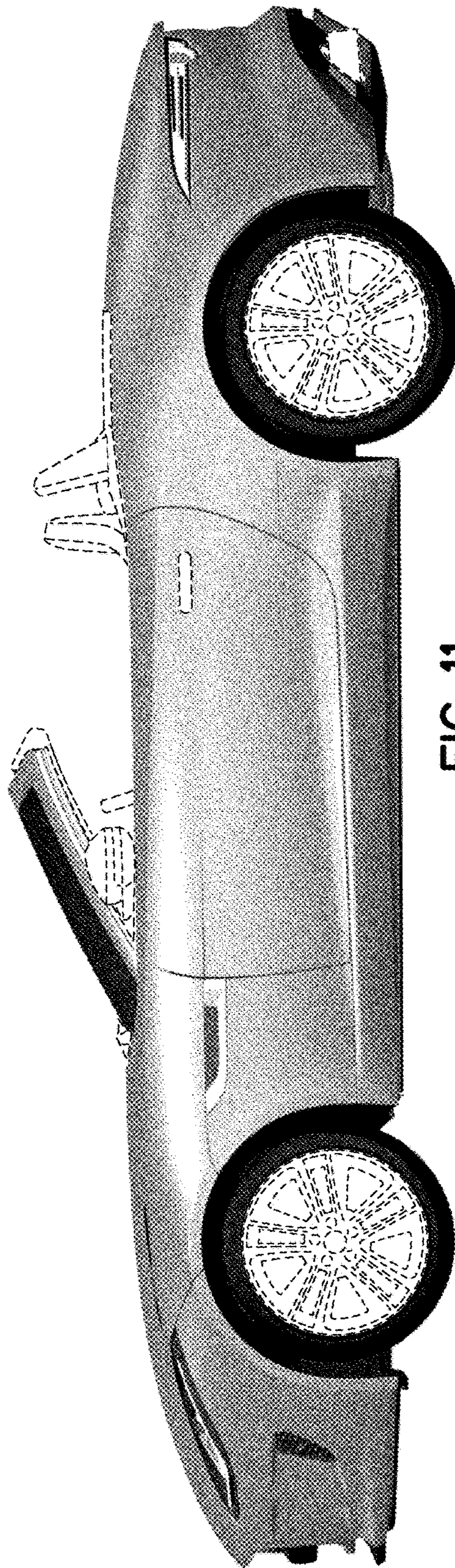


FIG. 11



FIG. 12

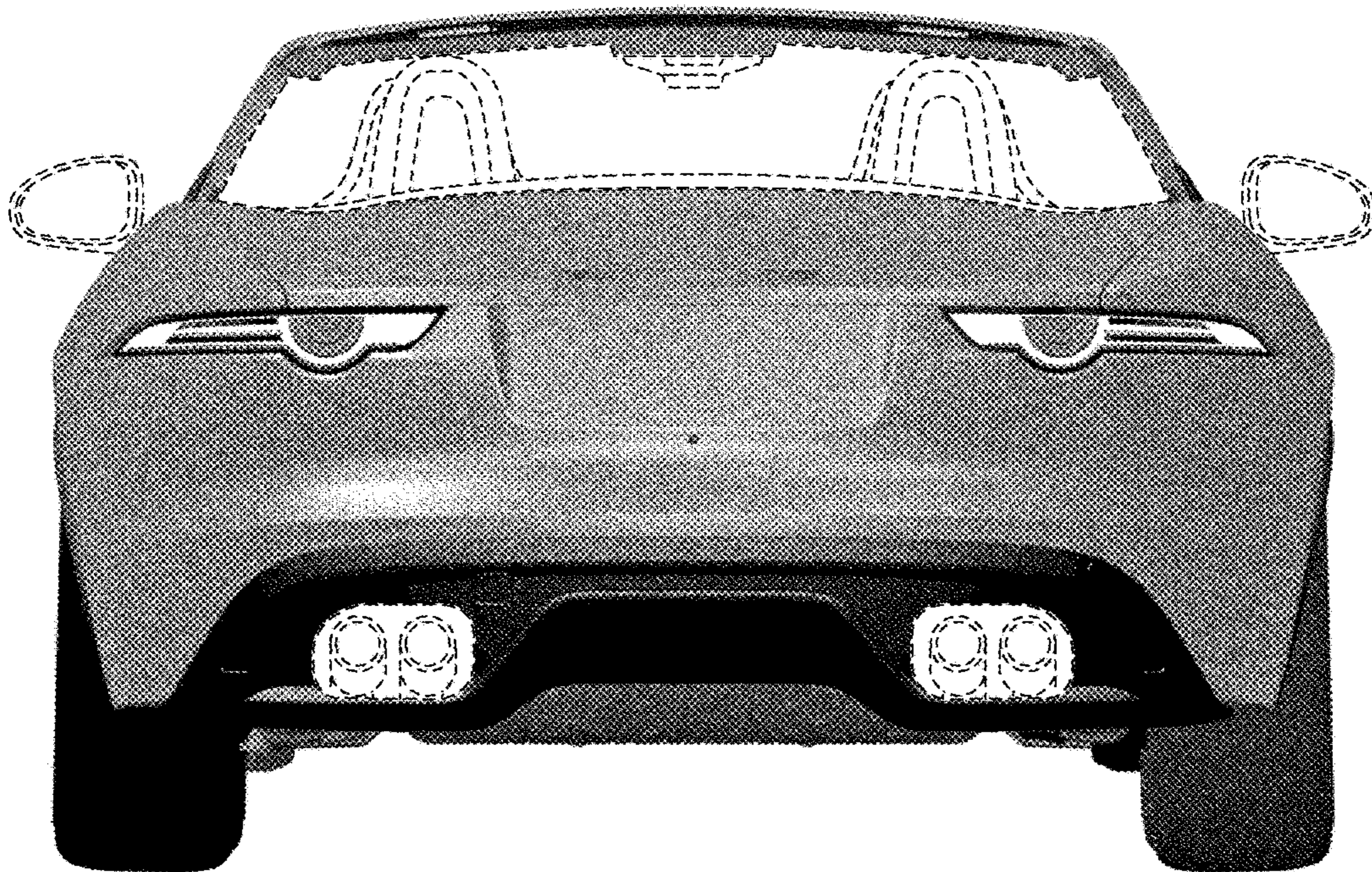


FIG. 13

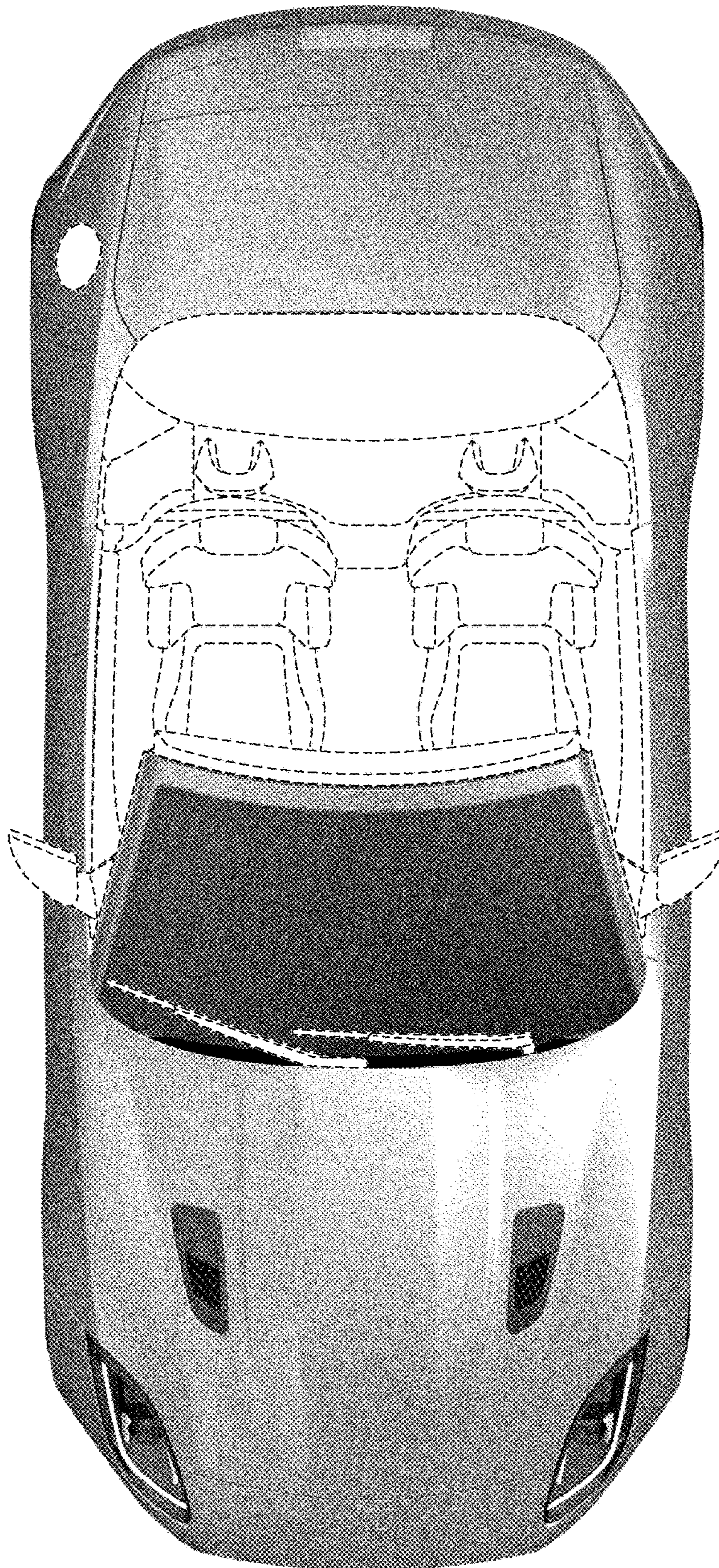


FIG. 14

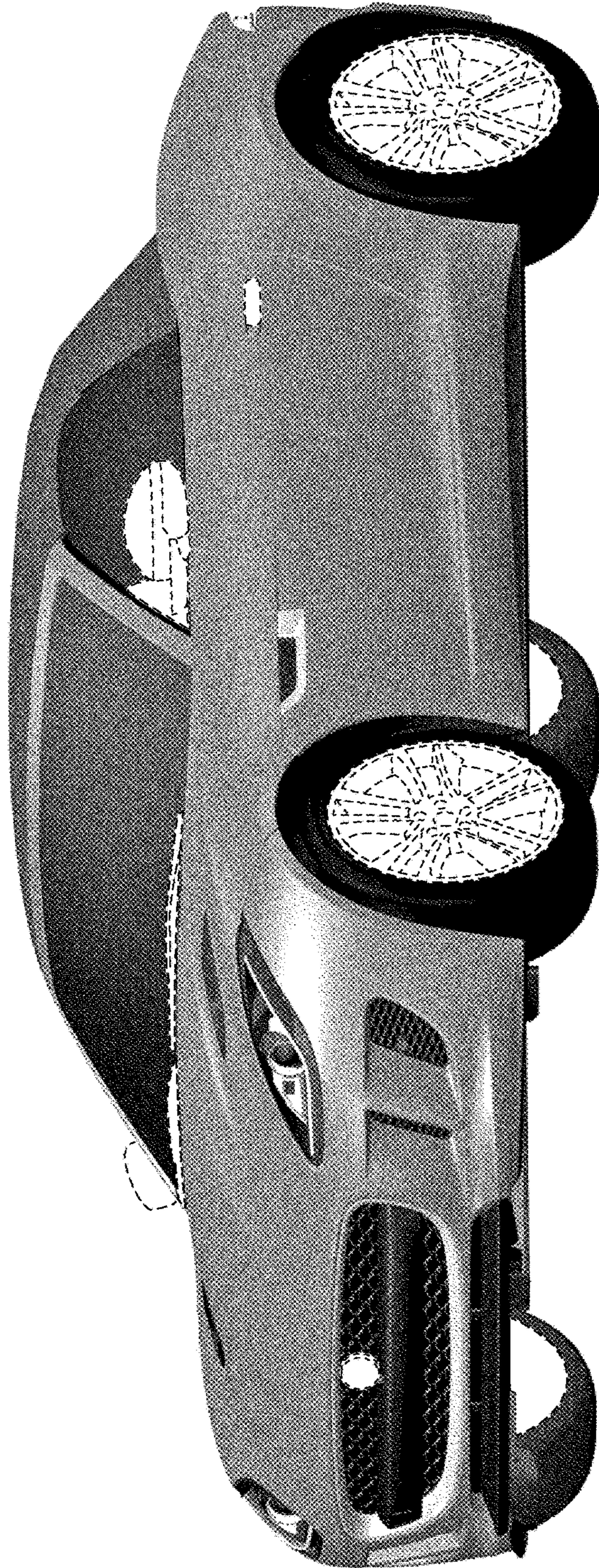


FIG. 15

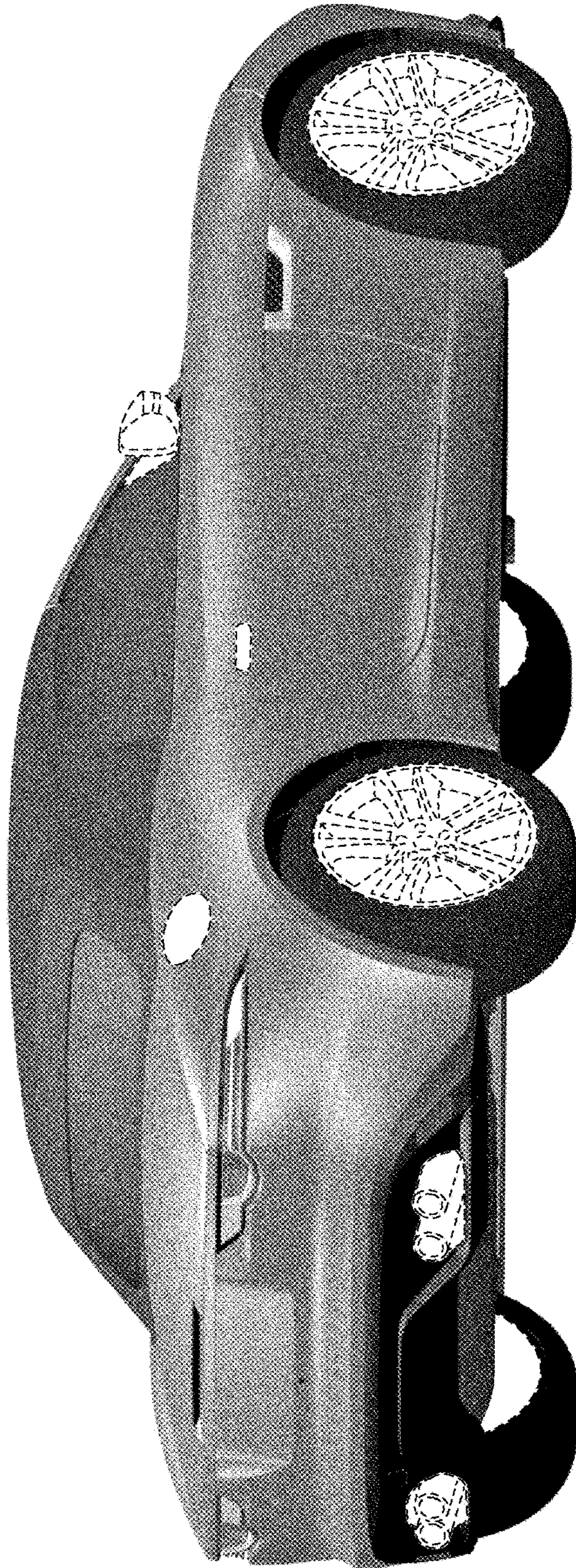


FIG. 16



FIG. 17

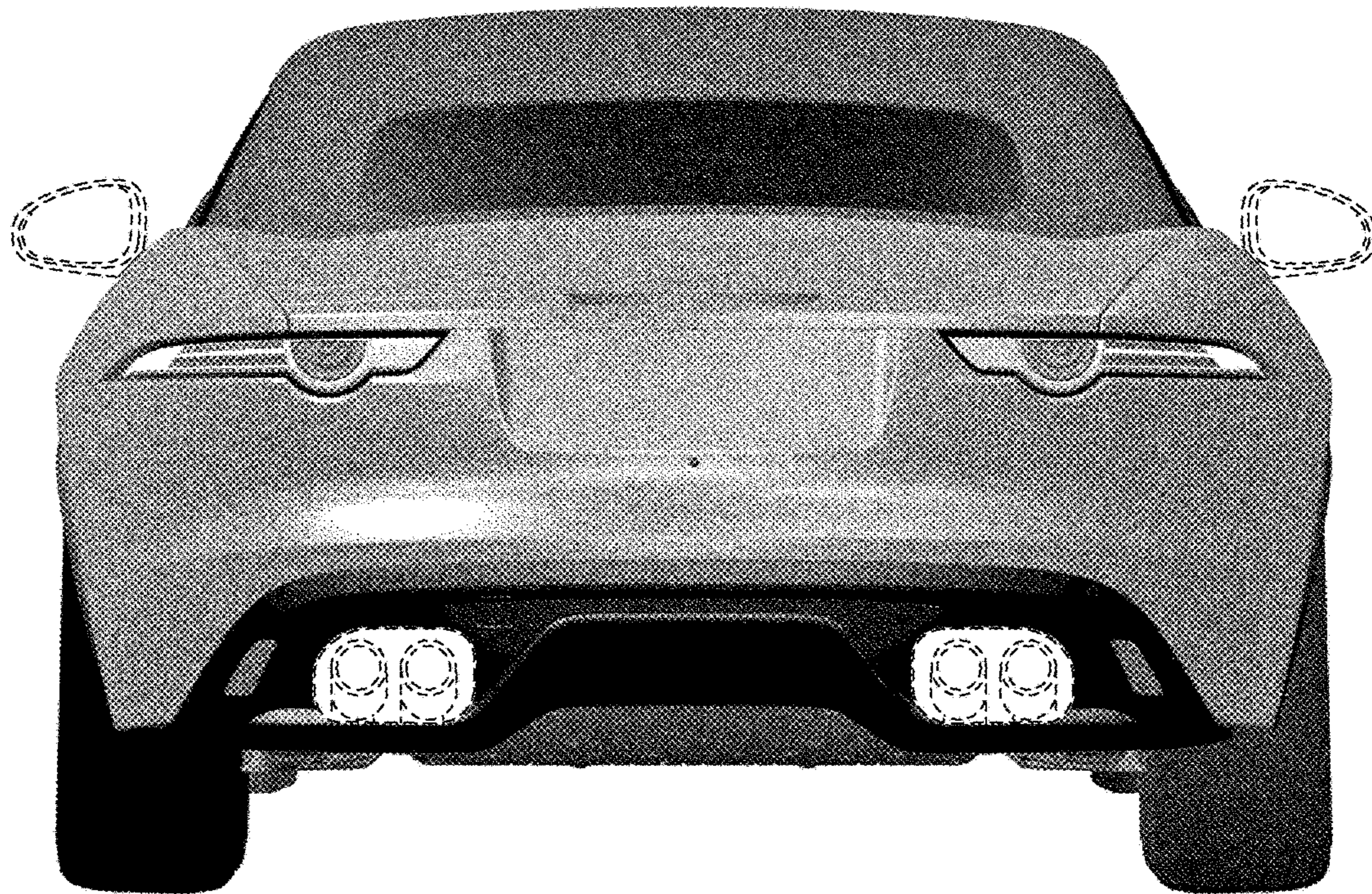


FIG. 18

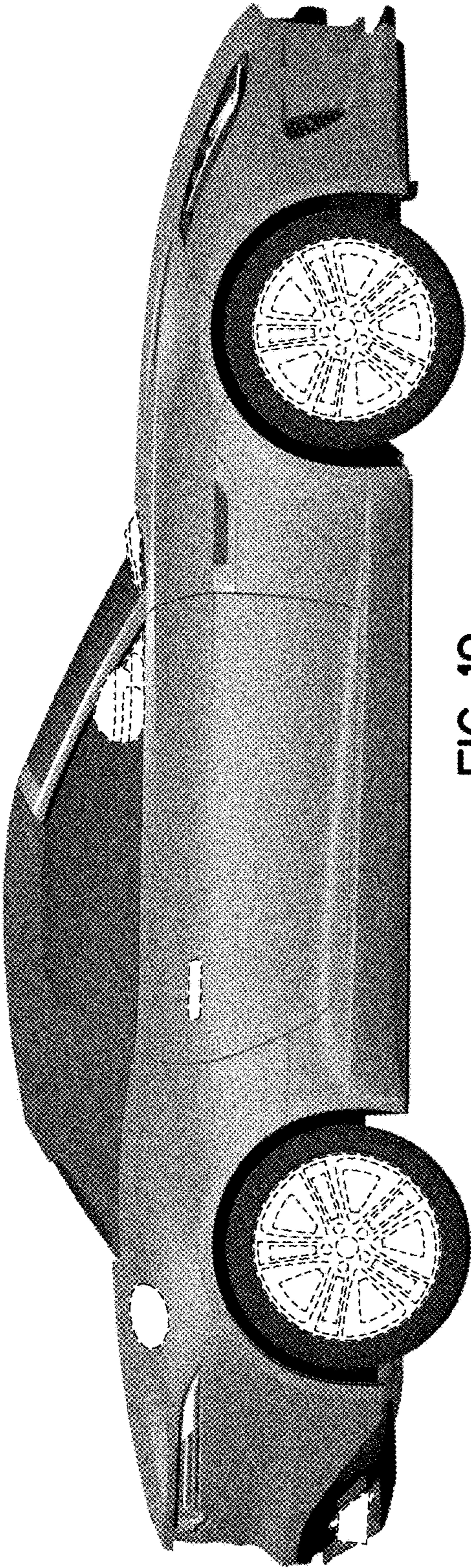


FIG. 19

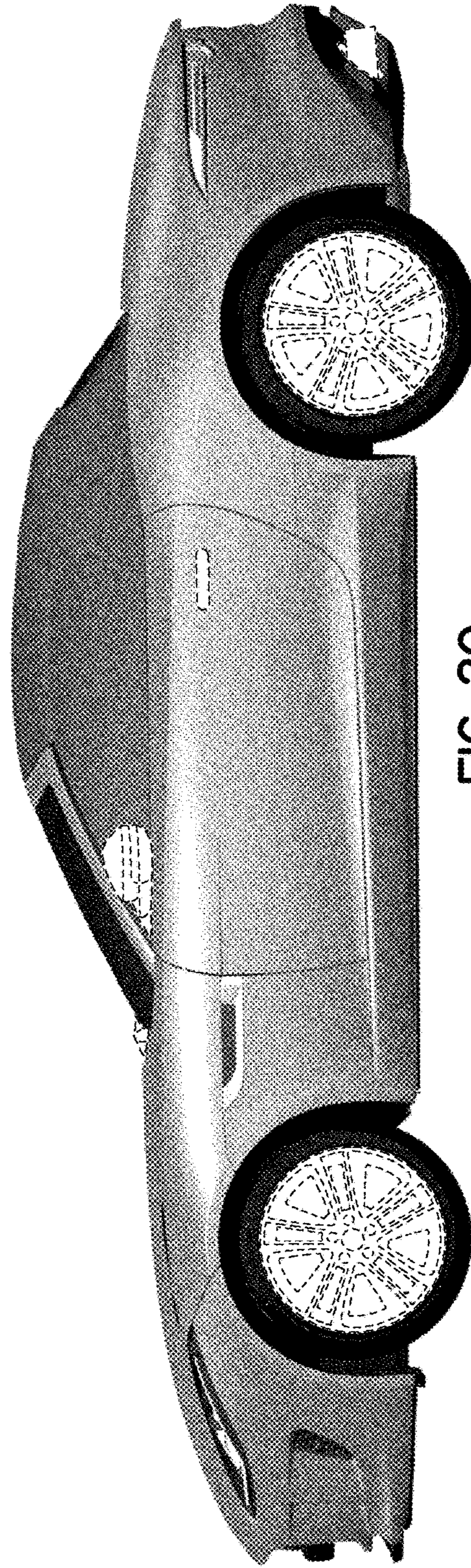


FIG. 20

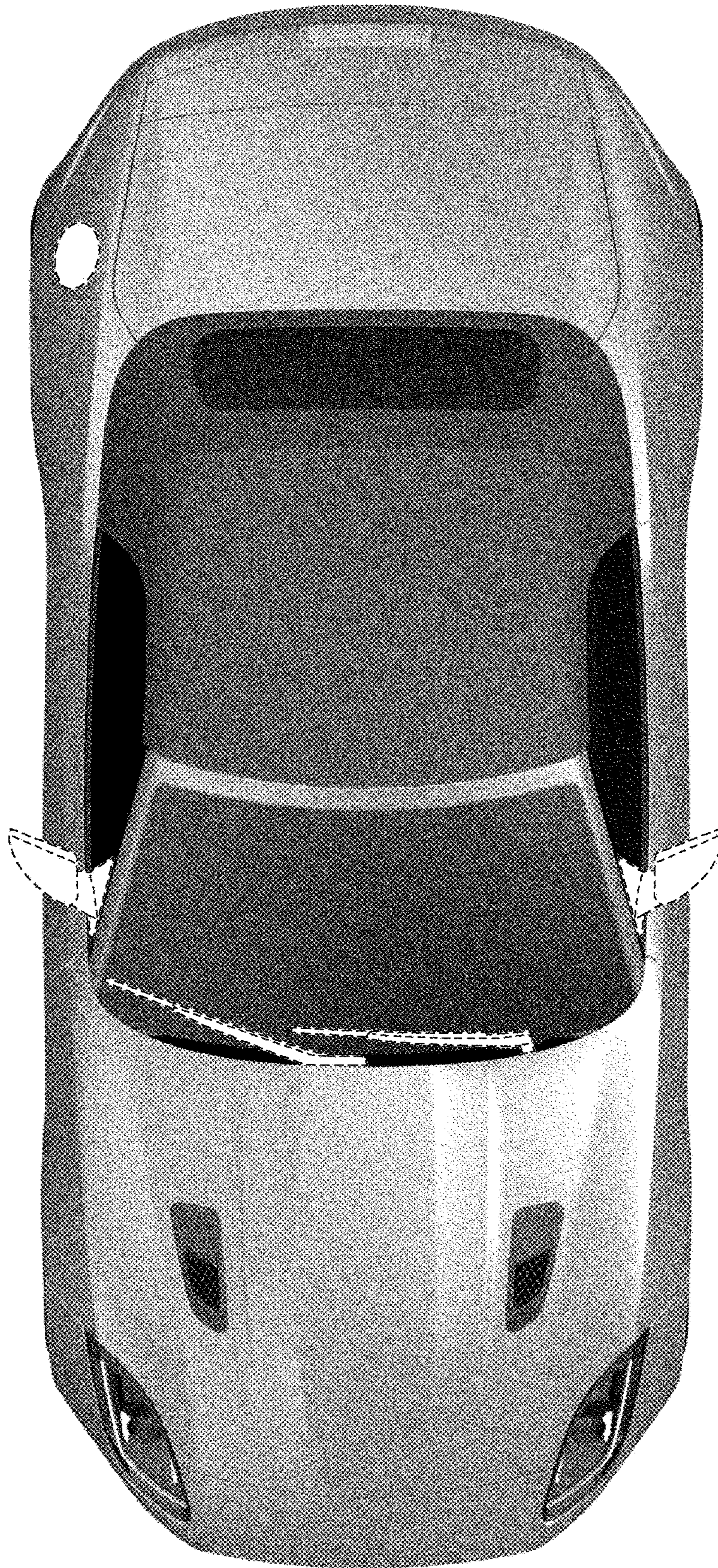


FIG. 21

UNITED STATES PATENT AND TRADEMARK OFFICE
CERTIFICATE OF CORRECTION

PATENT NO. : D779,379 S
APPLICATION NO. : 29/525938
DATED : February 21, 2017
INVENTOR(S) : Tadeusz Jelec

Page 1 of 1

It is certified that error appears in the above-identified patent and that said Letters Patent is hereby corrected as shown below:

On the Title Page

In Column 2, under the heading, "Description," Line 10 reads, "...of a vehicle showing my new, with the..." but should read --...of a vehicle showing my new design, with the...--.

In Column 2, under the heading, "Description," Line 21 reads, "...of a vehicle showing my new, with the ..." but should read --...of a vehicle showing my new design, with the...--.

Signed and Sealed this
Fifth Day of September, 2017



Joseph Matal
*Performing the Functions and Duties of the
Under Secretary of Commerce for Intellectual Property and
Director of the United States Patent and Trademark Office*