



US00D779378S

(12) **United States Design Patent**
Kim et al.

(10) **Patent No.:** **US D779,378 S**

(45) **Date of Patent:** **** Feb. 21, 2017**

(54) **MOTOR VEHICLE AND/OR TOY REPLICA THEREOF**

(71) Applicants: **Jin Won Kim**, Tustin, CA (US); **Koichi Suga**, Toyota (JP); **Mario Majdandzic**, Nagoya (JP); **Hiroyuki Hatake**, Miyoshi (JP)

(72) Inventors: **Jin Won Kim**, Tustin, CA (US); **Koichi Suga**, Toyota (JP); **Mario Majdandzic**, Nagoya (JP); **Hiroyuki Hatake**, Miyoshi (JP)

(73) Assignee: **Toyota Jidosha Kabushiki Kaisha**, Toyota-shi, Aichi-ken (JP)

(**) Term: **15 Years**

(21) Appl. No.: **29/536,826**

(22) Filed: **Aug. 19, 2015**

(30) **Foreign Application Priority Data**

Feb. 20, 2015 (JP) 2015-003444

(51) **LOC (10) Cl.** **12-08**

(52) **U.S. Cl.**
USPC **D12/91**

(58) **Field of Classification Search**
USPC D12/86, 90-92, 88; D21/421, 433, 434;
296/181.1, 181.5
CPC B62D 35/00; B62D 25/00; B62D 25/06;
B62D 33/00
See application file for complete search history.

(56) **References Cited**

U.S. PATENT DOCUMENTS

D680,906 S * 4/2013 Sugimoto D12/91
D689,795 S * 9/2013 Takei D12/91

D697,834 S * 1/2014 Okue D12/91
D715,195 S * 10/2014 Tomatsu D12/92
D719,065 S * 12/2014 Sakae D12/92
D757,606 S * 5/2016 Matsuda D12/91
D761,696 S * 7/2016 Kamiura D12/92
D767,447 S * 9/2016 Fahr-Becker D12/91

OTHER PUBLICATIONS

Netcarshow.com; URL: <http://www.netcarshow.com/lexus/2013-lf-nx-concept/>; Model: LF-NX (2013); Mfg.: Lexus; available on at least Apr. 8, 2014.

(Continued)

Primary Examiner — Melody N Brown

(74) *Attorney, Agent, or Firm* — Finnegan, Henderson, Farabow, Garrett & Dunner, L.L.P.

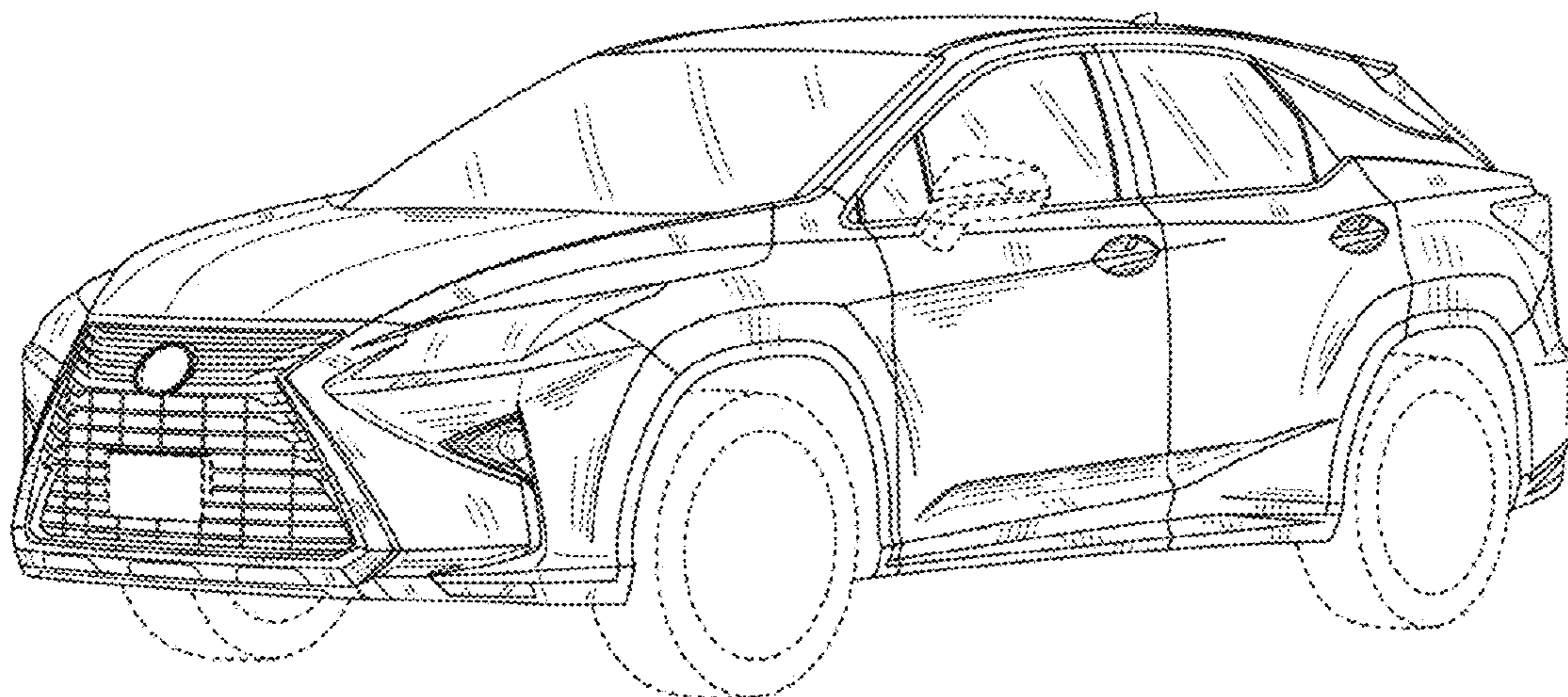
(57) **CLAIM**

The ornamental design for a motor vehicle and/or toy replica thereof, as shown and described.

DESCRIPTION

FIG. 1 is a front left perspective view of a motor vehicle and/or toy replica thereof showing our new design; FIG. 2 is a rear left perspective view thereof; FIG. 3 is a front right perspective view thereof; FIG. 4 is a rear right perspective view thereof; FIG. 5 is a front view thereof; FIG. 6 is a rear view thereof; FIG. 7 is a left side view thereof; FIG. 8 is a right side view thereof; and, FIG. 9 is a top plan view thereof. The bottom view of the motor vehicle and/or toy replica thereof forms no part of the claimed design.

1 Claim, 8 Drawing Sheets



(56)

References Cited

OTHER PUBLICATIONS

Netcarshow.com; URL: http://www.netcarshow.com/lamborghini/2012-urus_concept/; Model: Urus Concept (2012); Mfg.: Lamborghini; available on at least Apr. 8, 2014.

Netcarshow.com; URL: http://www.netcarshow.com/nissan/2013-resonance_concept/; Model: Resonance concept (2013); Mfg.: Nissan; available on at least Apr. 8, 2014.

* cited by examiner

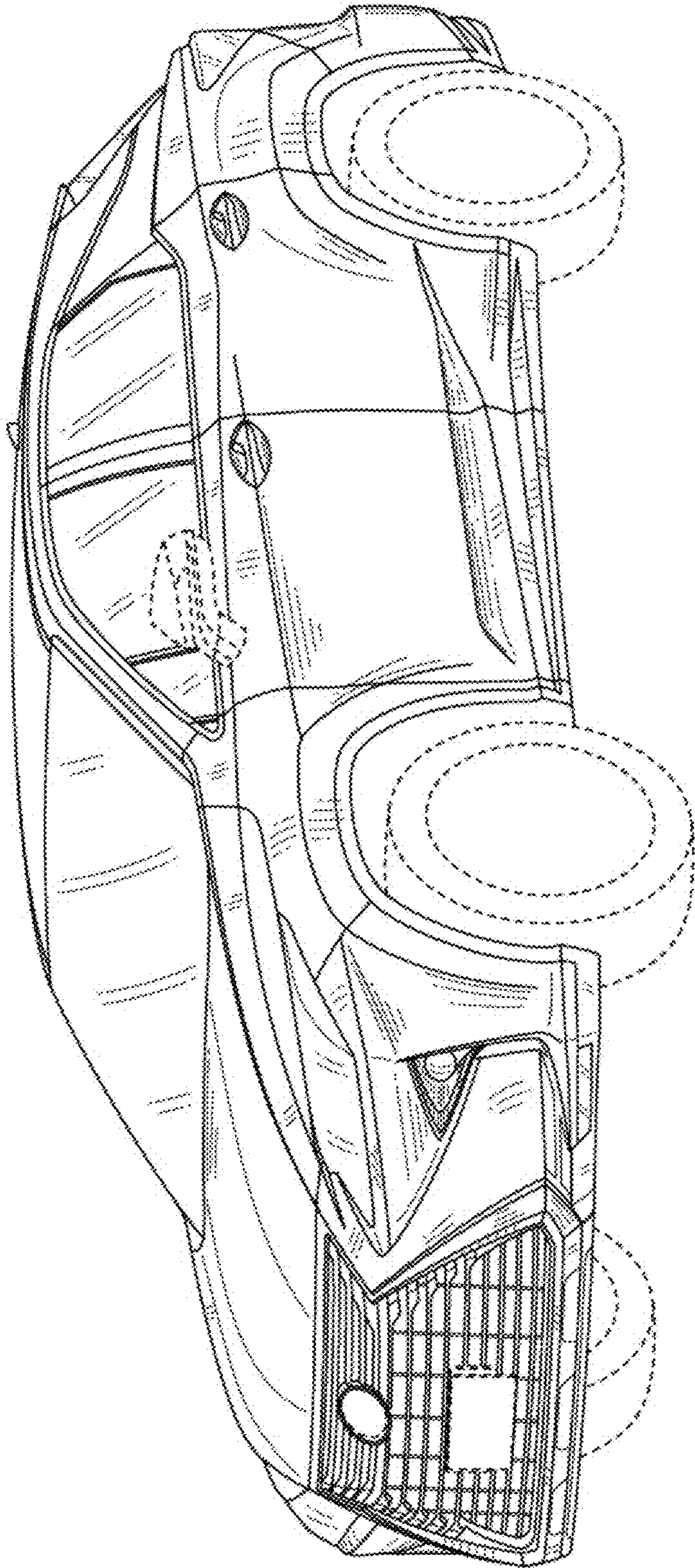


FIG. 1

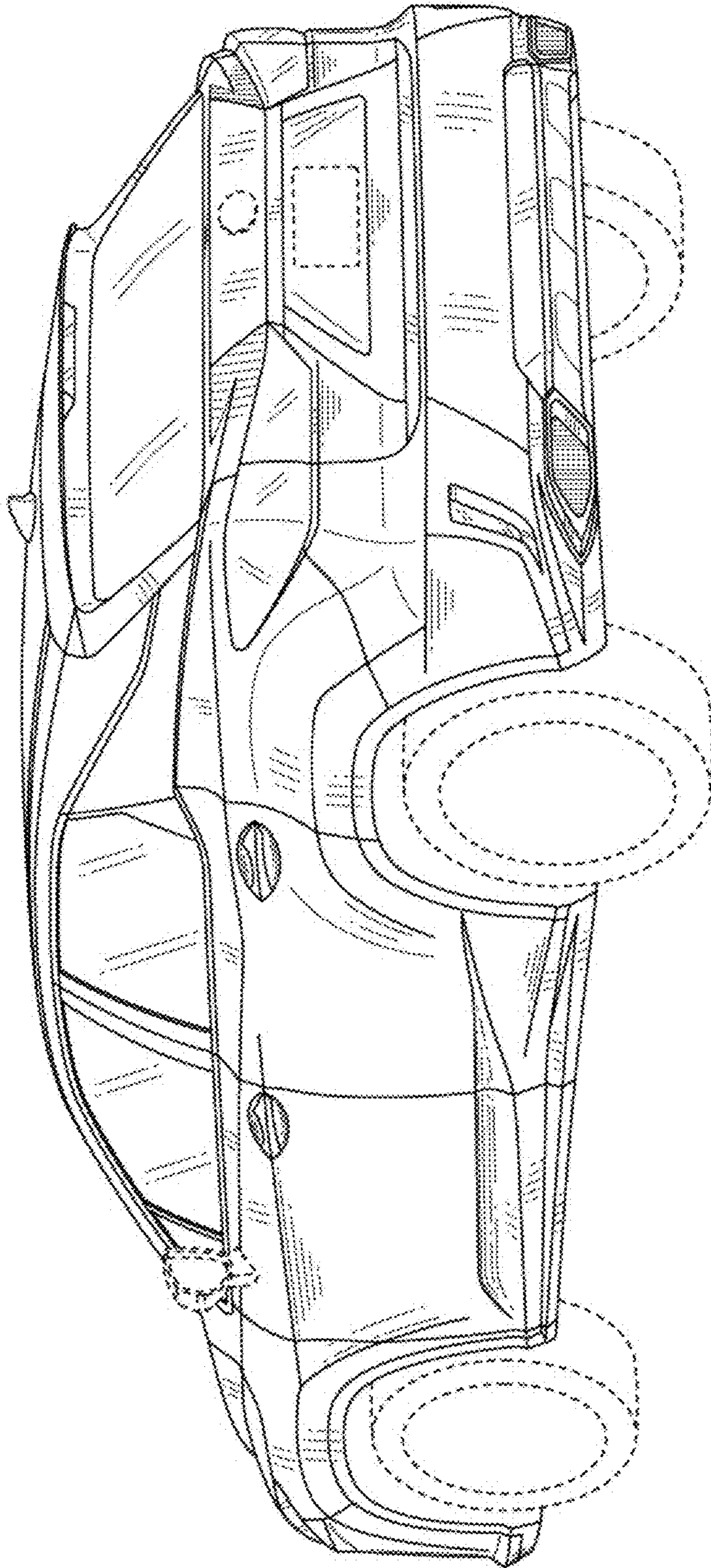


FIG. 2

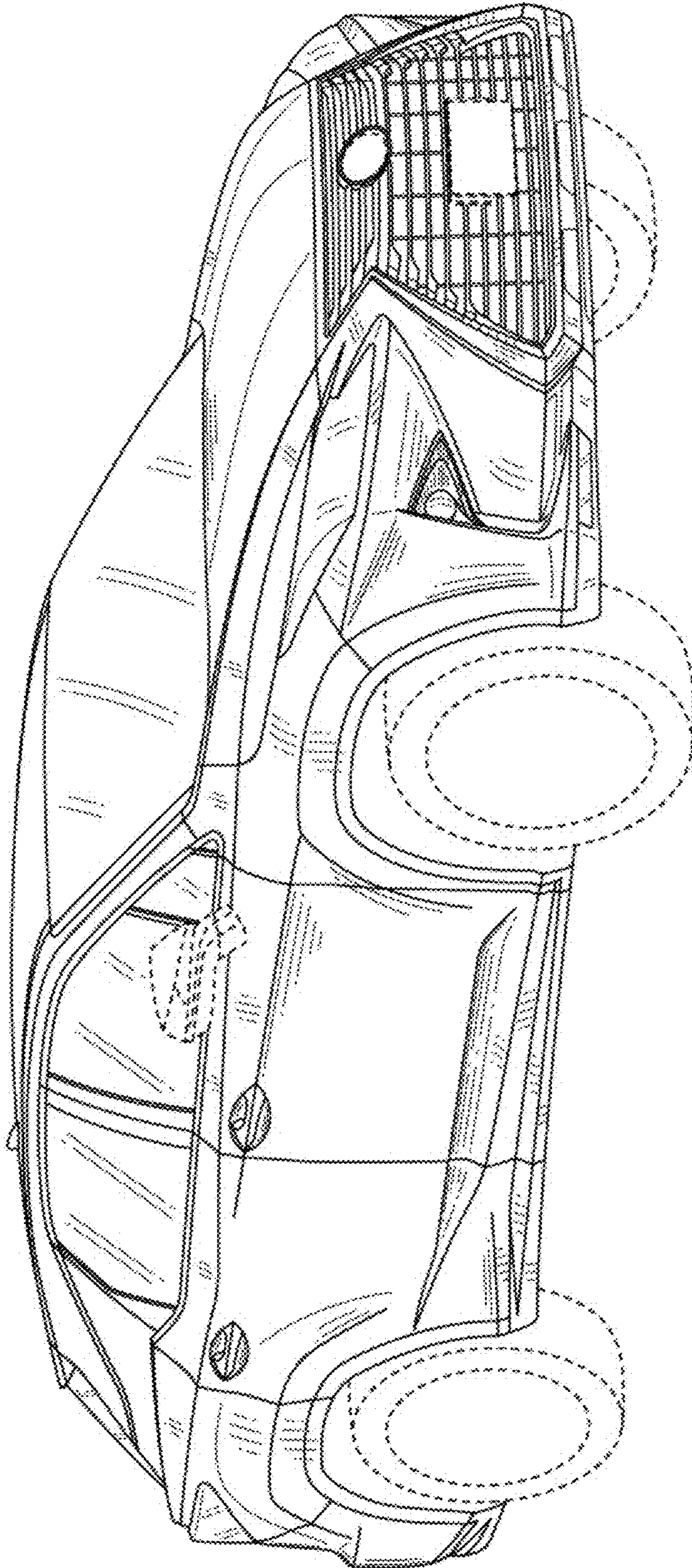


FIG. 3

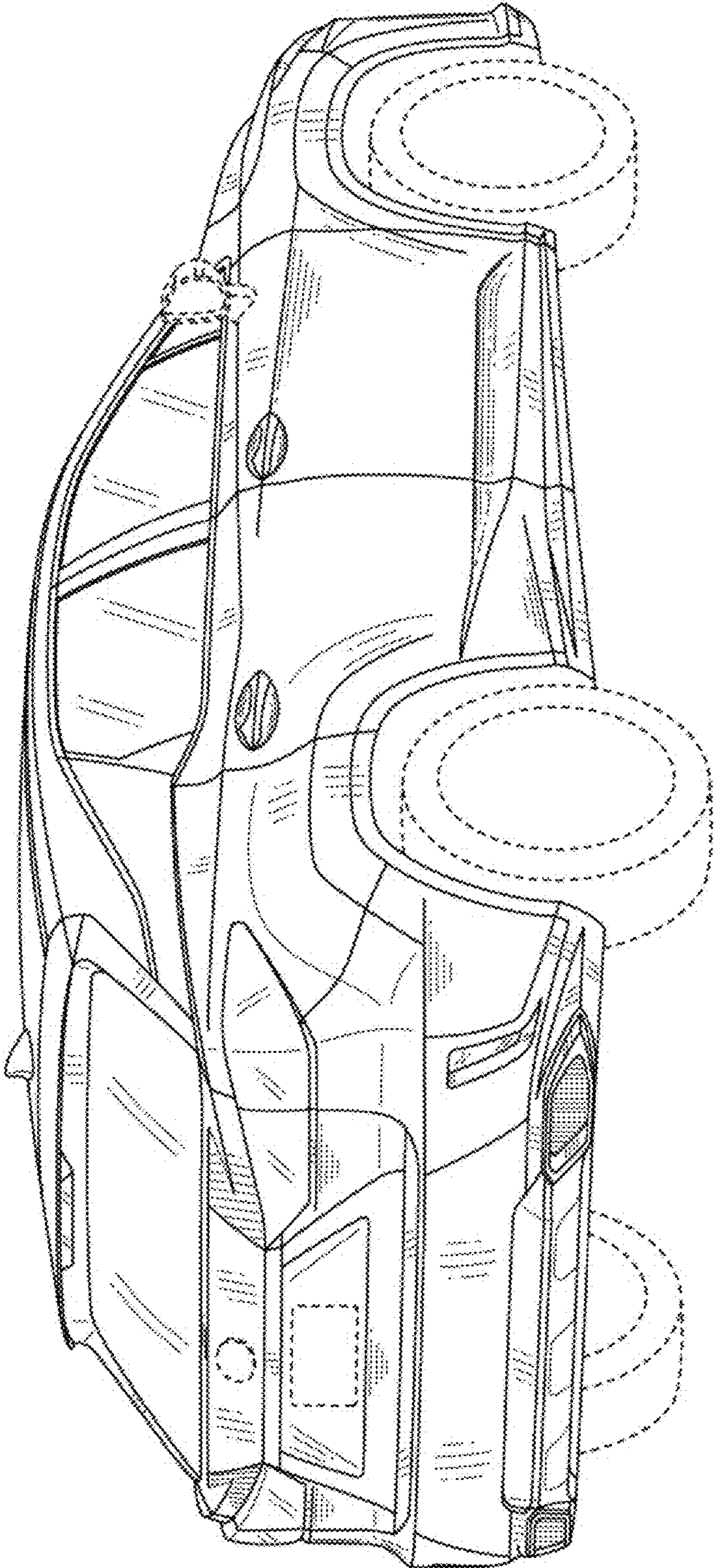


FIG. 4

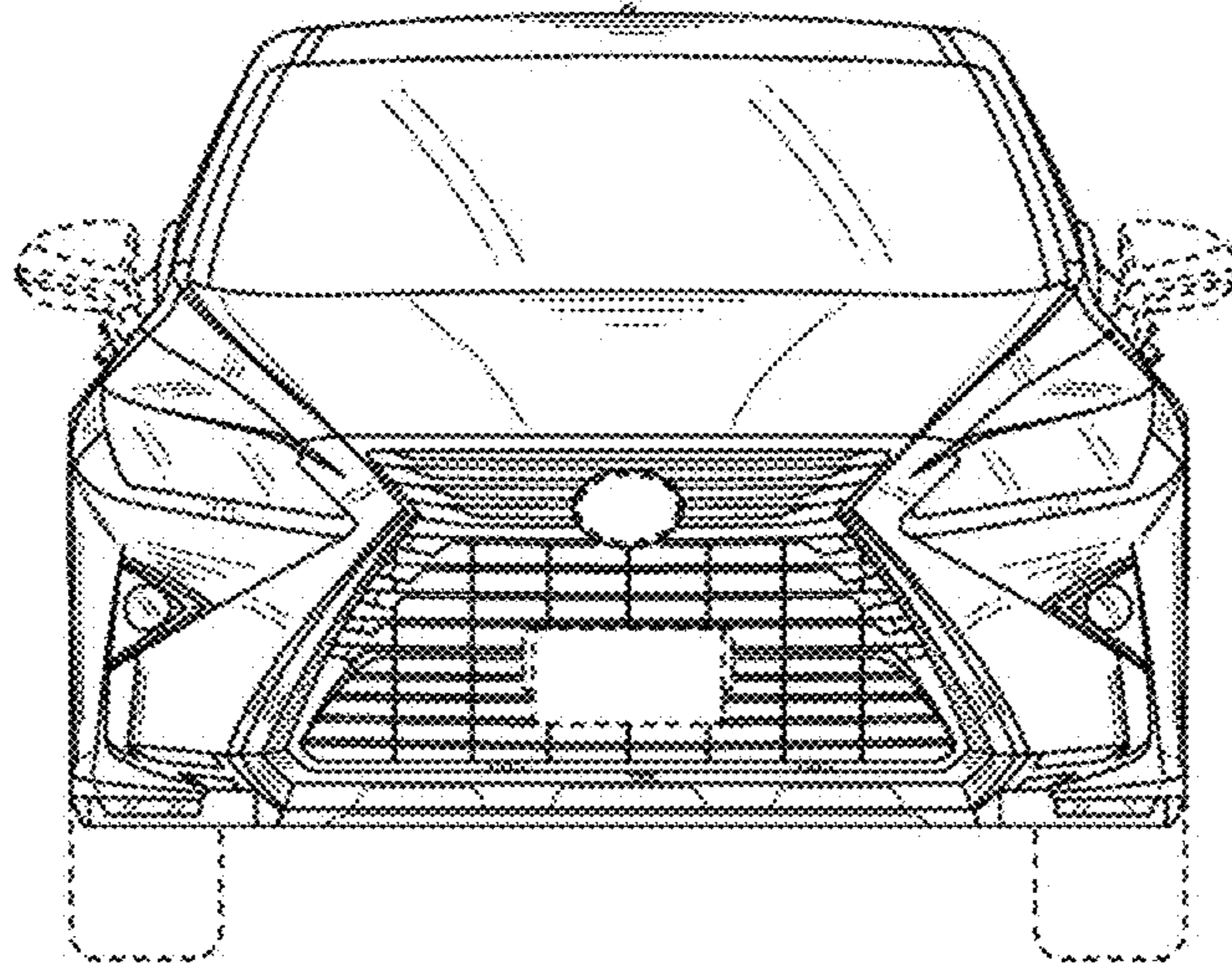


FIG. 5

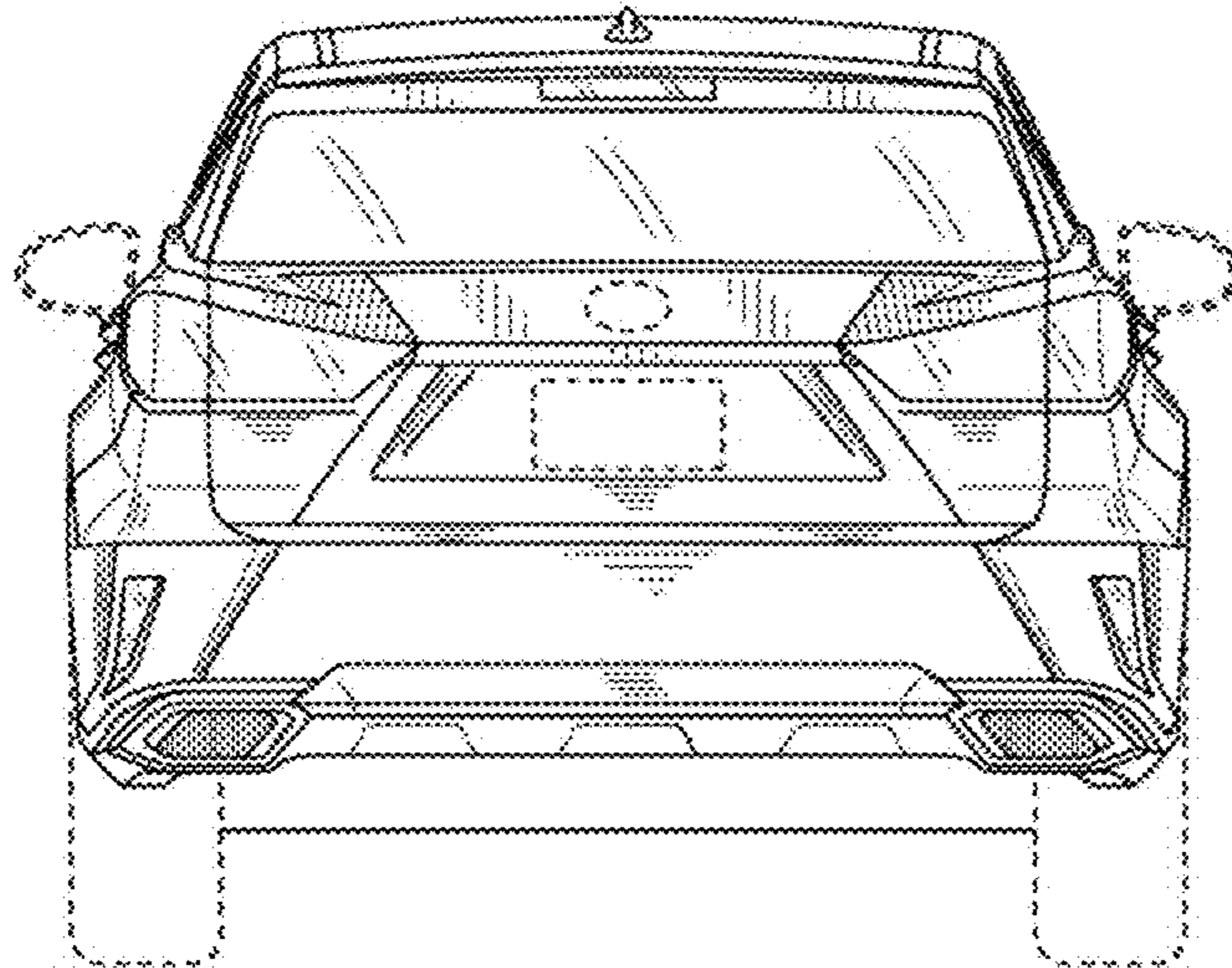


FIG. 6

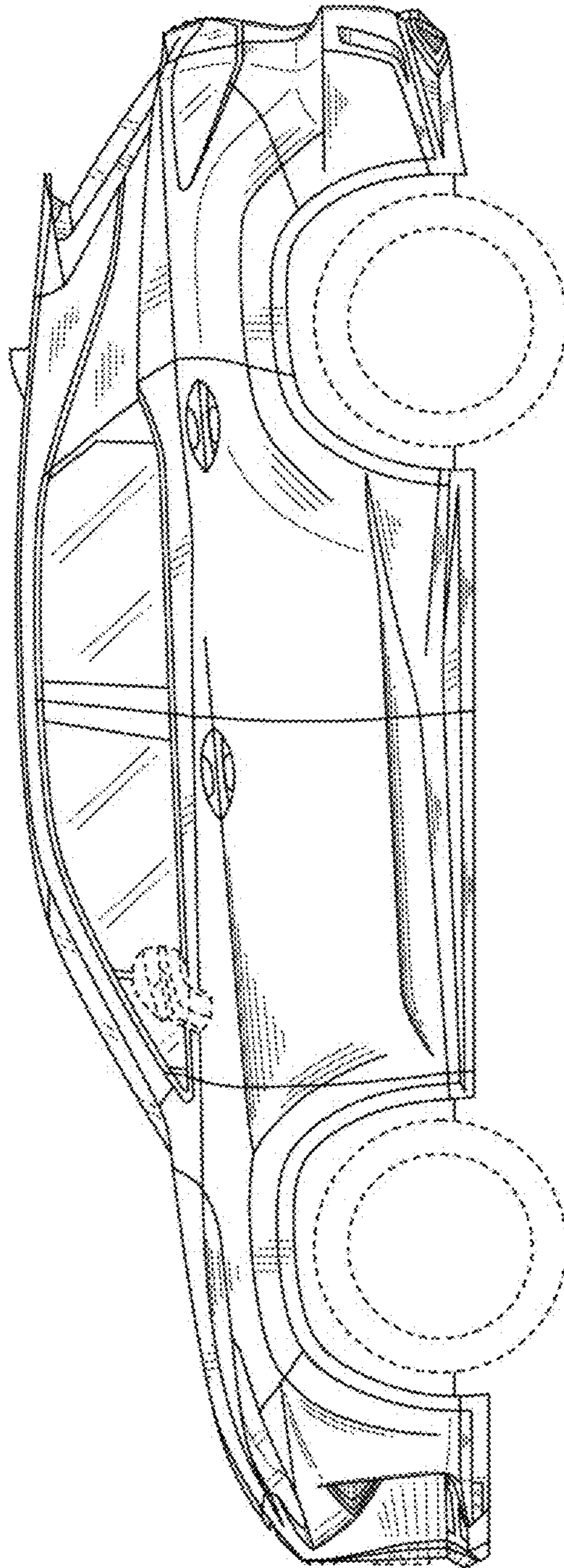


FIG. 7

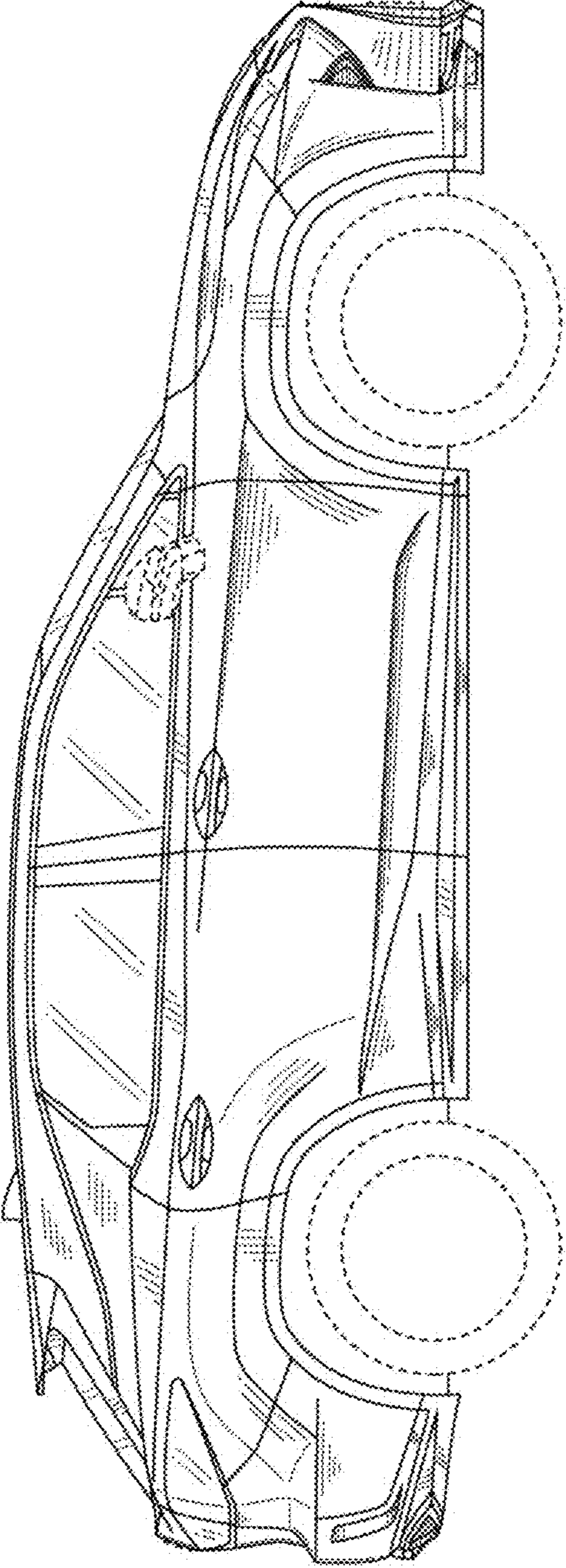


FIG. 8

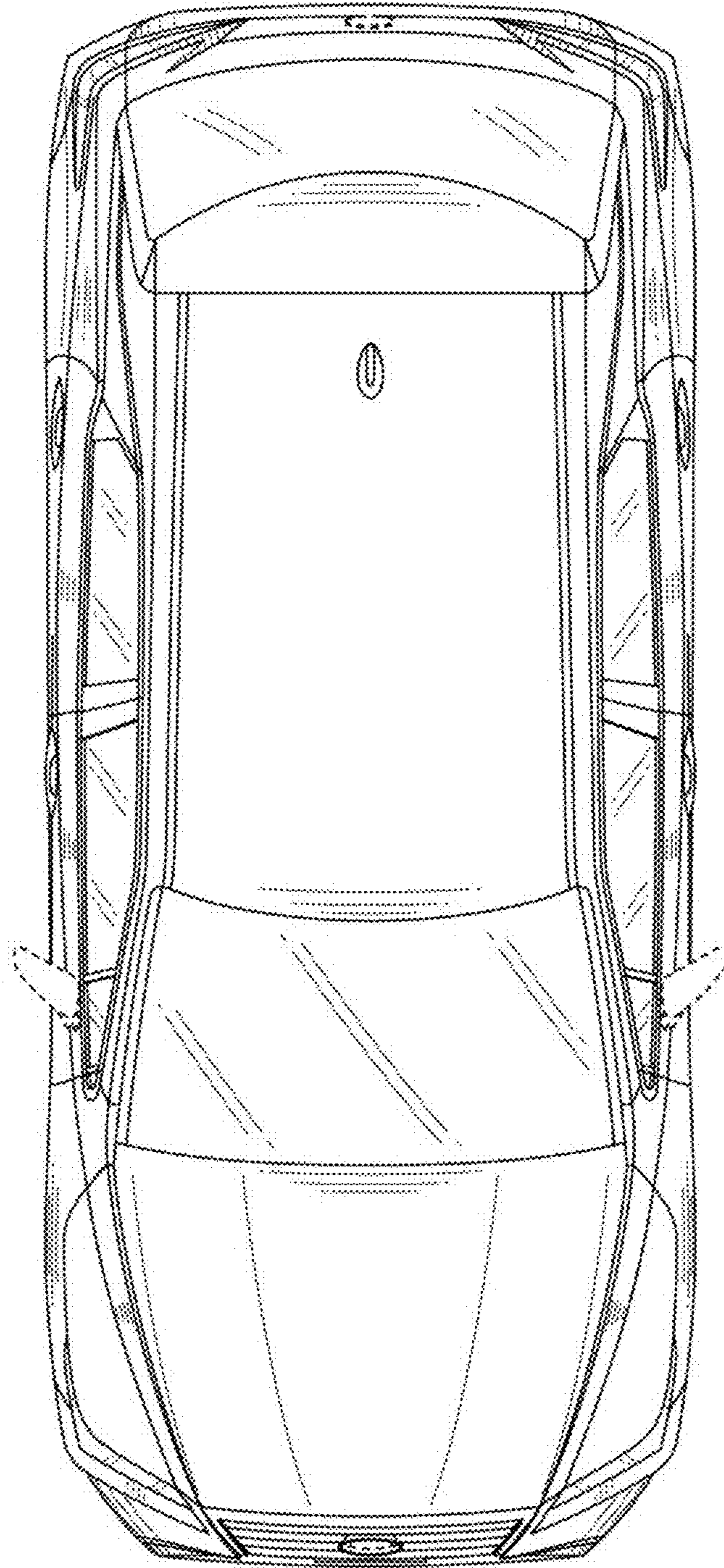


FIG. 9