



US00D779377S

(12) **United States Design Patent**
Gronau

(10) **Patent No.:** **US D779,377 S**

(45) **Date of Patent:** **** Feb. 21, 2017**

(54) **SAND DISCHARGE PIPE FOR RAIL VEHICLES**

(71) Applicant: **Siemens Aktiengesellschaft**, Munich (DE)

(72) Inventor: **Hans-Joachim Gronau**, Vierkirchen (DE)

(73) Assignee: **Siemens Aktiengesellschaft**, Munich (DE)

(**) Term: **15 Years**

(21) Appl. No.: **29/535,522**

(22) Filed: **Aug. 7, 2015**

(30) **Foreign Application Priority Data**

Feb. 20, 2015 (EM) 001430870

(51) **LOC (10) Cl.** **12-03**

(52) **U.S. Cl.**
USPC **D12/42**

(58) **Field of Classification Search**
USPC D12/36-51; D23/213, 217, 218, 556, D23/557, 566; D9/448, 444
CPC B61C 15/10; B61C 15/085; B61C 15/107; B61C 15/105; B61C 15/14
See application file for complete search history.

(56) **References Cited**

U.S. PATENT DOCUMENTS

- 435,210 A * 8/1890 Daly B61C 15/102 291/46
- 814,256 A * 3/1906 Willits B61C 15/102 291/41
- 1,247,298 A * 11/1917 Lohmiller B61C 15/102 291/46
- 1,423,429 A * 7/1922 Johns B61C 15/105 291/20

- 1,569,830 A * 1/1926 Watters B61C 15/102 116/DIG. 42
- 2,437,384 A * 3/1948 Gee B61C 15/102 291/46
- 2,451,878 A * 10/1948 Savercool B61C 15/102 291/46
- 2,550,608 A * 4/1951 Shotwell B61C 15/105 222/509
- 2,606,781 A * 8/1952 Loftus B61C 15/102 291/24
- 2,722,442 A * 11/1955 Sudduth B61C 15/10 239/602
- 2,797,946 A * 7/1957 Yongue B61C 15/102 291/41
- 3,121,578 A * 2/1964 Moses B61C 15/102 222/494
- 3,185,512 A * 5/1965 Kilgore B61C 15/102 239/602
- D587,628 S * 3/2009 Biddings D12/42
- D704,798 S * 5/2014 Ehm D23/213

* cited by examiner

Primary Examiner — T. Chase Nelson

Assistant Examiner — Ania Aman

(74) *Attorney, Agent, or Firm* — Cozen O'Connor

(57) **CLAIM**

The ornamental design for a sand discharge pipe for rail vehicles, as shown and described.

DESCRIPTION

FIG. 1 is a front elevational view of a sand discharge pipe for rail vehicles showing my new design; FIG. 2 is a rear elevational view thereof; FIG. 3 is a top plan view thereof; FIG. 4 is a bottom plan view thereof; FIG. 5 is a right-side elevation view thereof; FIG. 6 is left-side elevation view thereof; and, FIG. 7 is a front, top and right-side perspective view thereof.

1 Claim, 7 Drawing Sheets

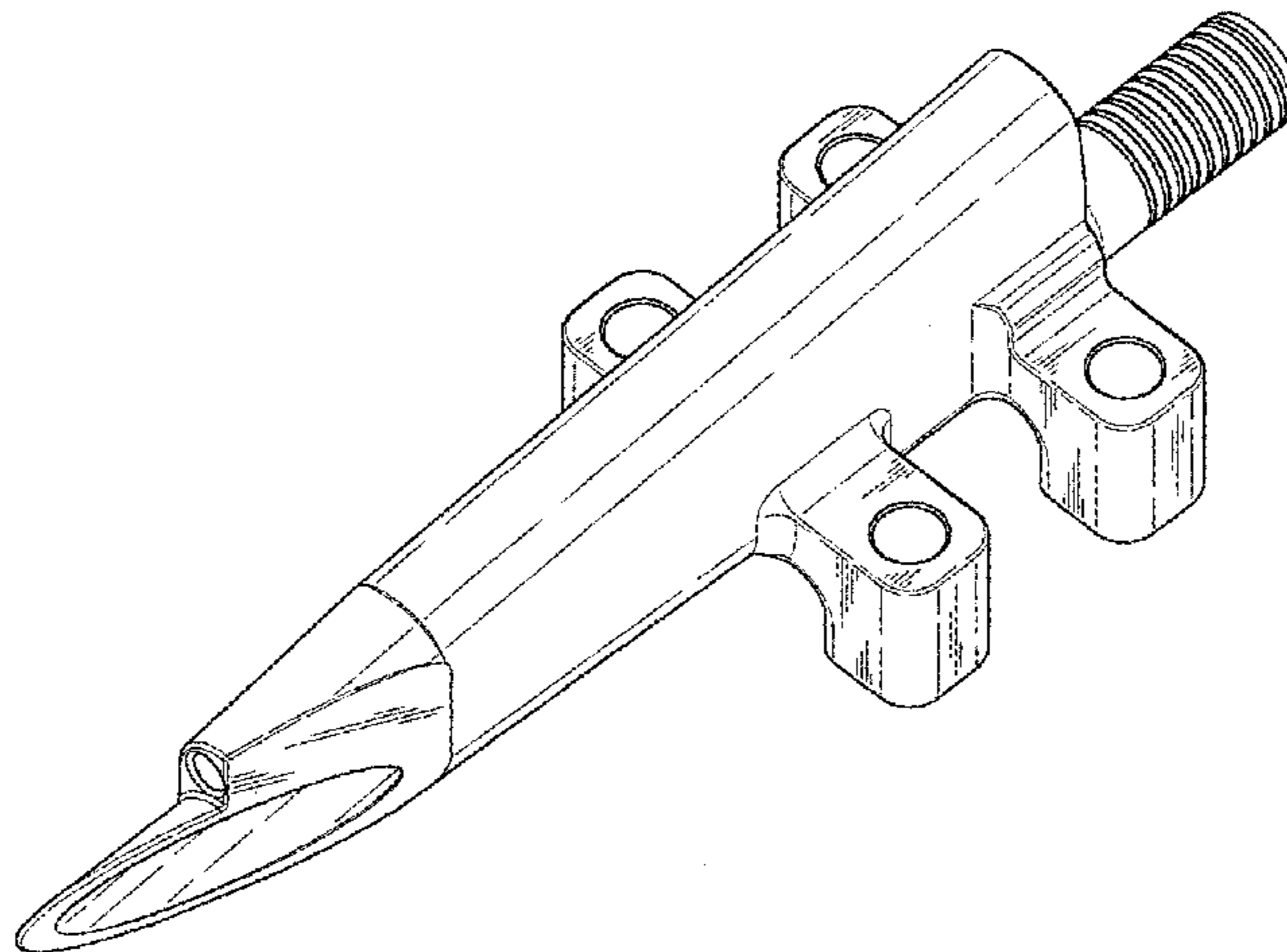


FIG 1

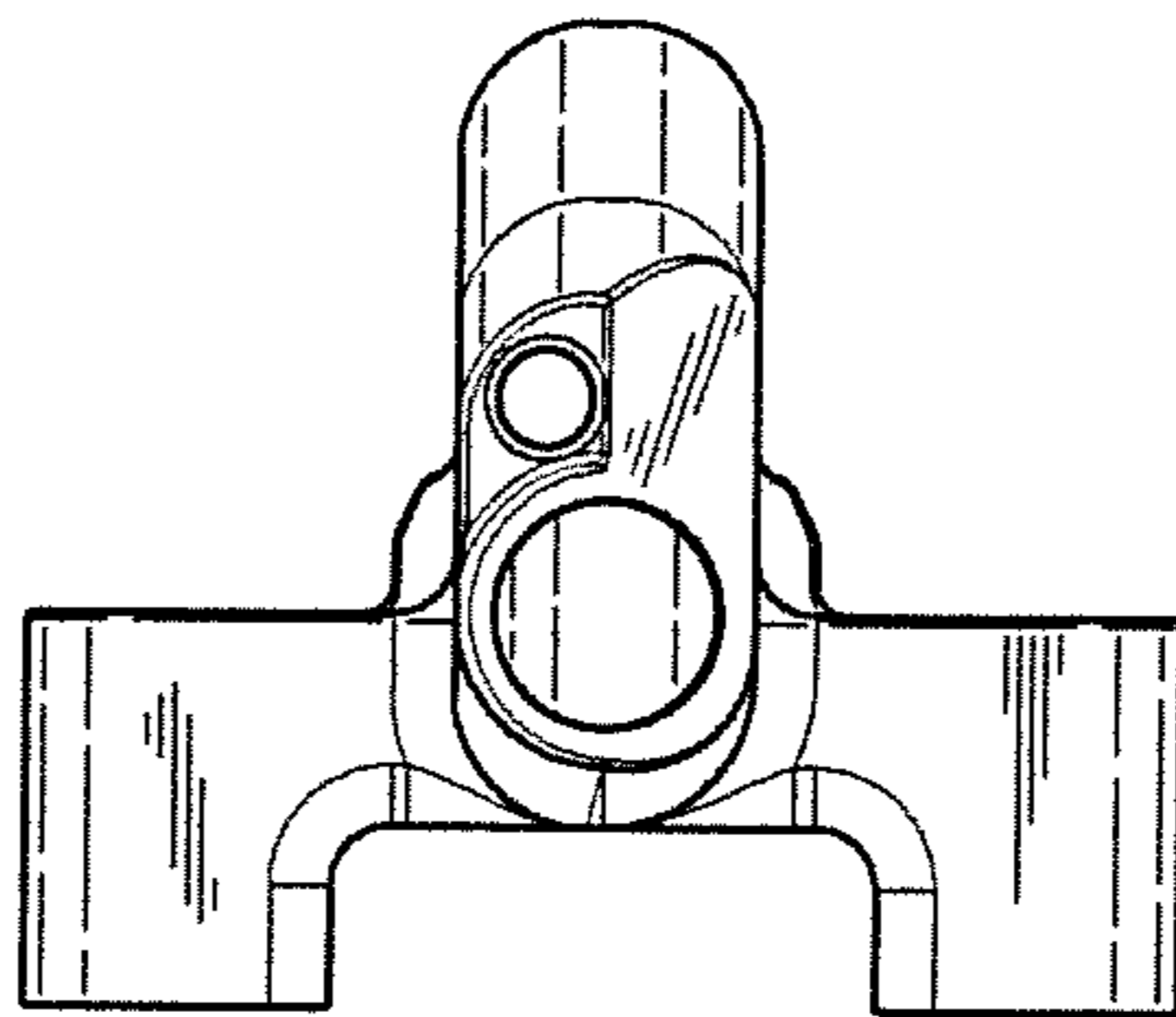


FIG 2

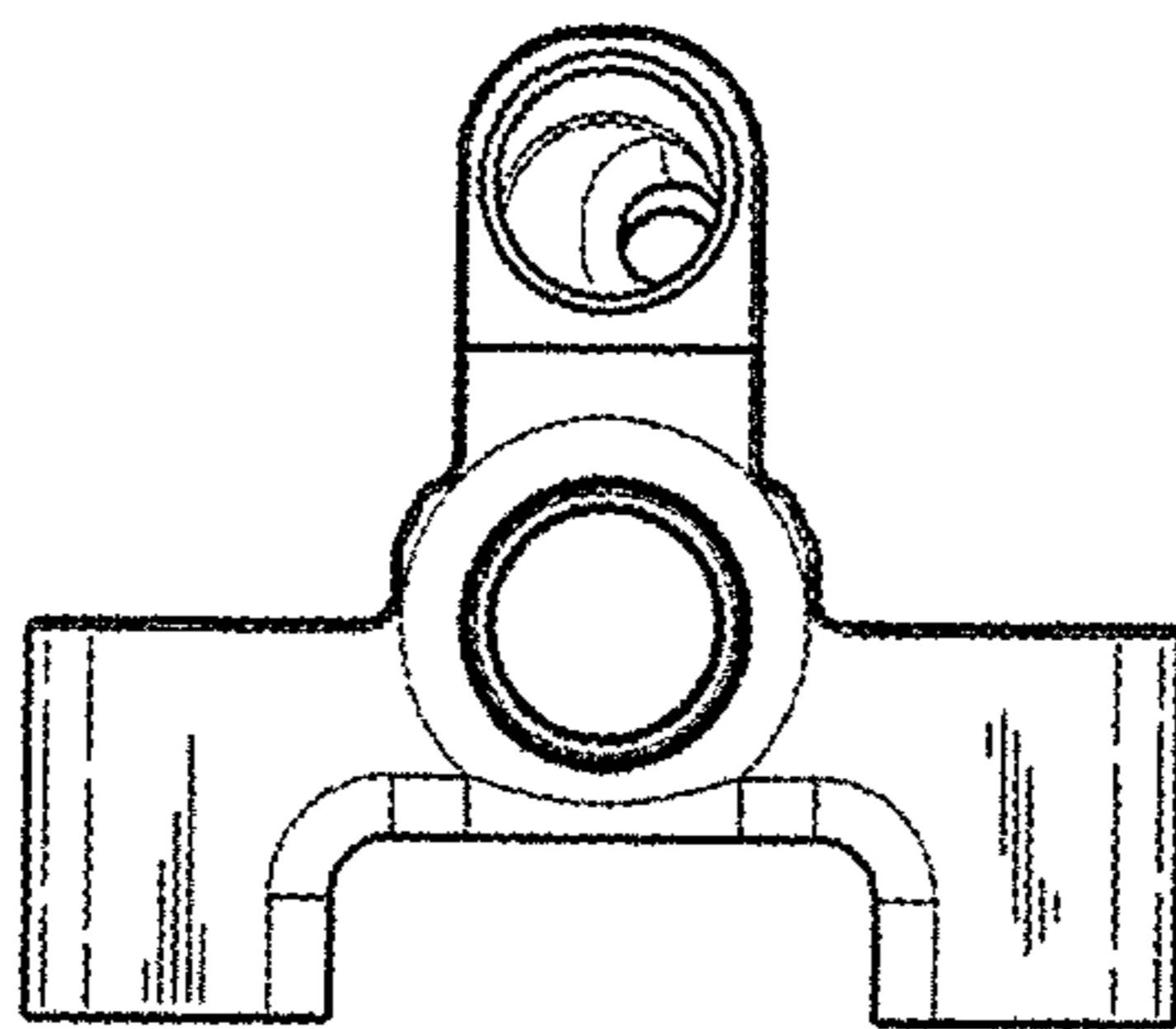


FIG 3

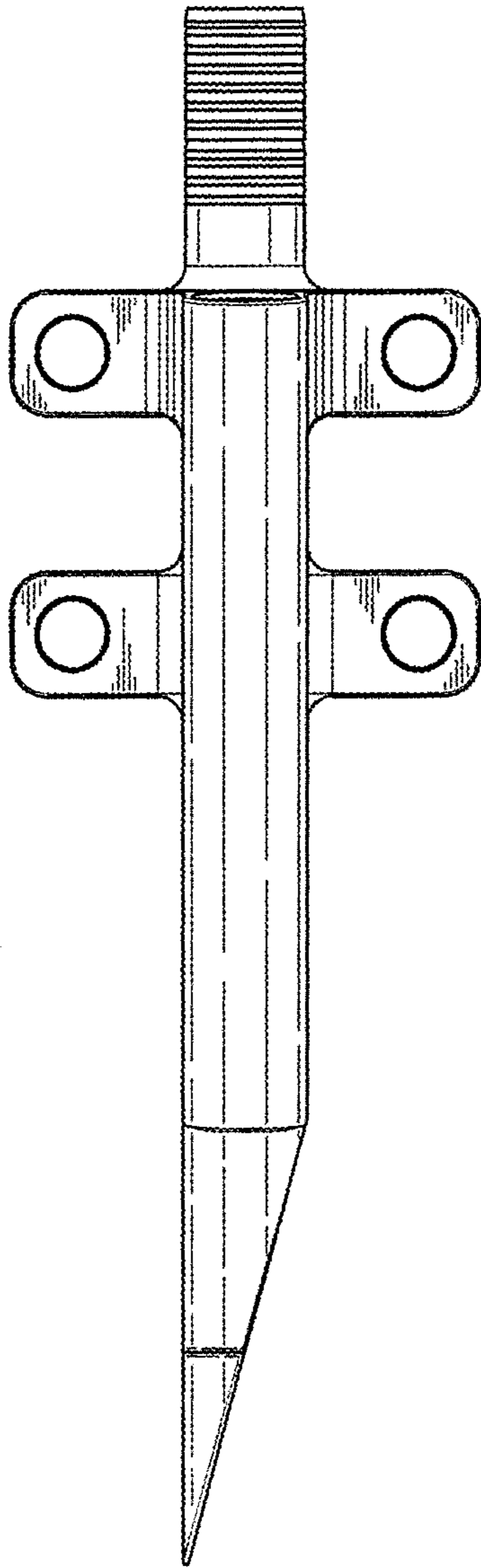


FIG 4

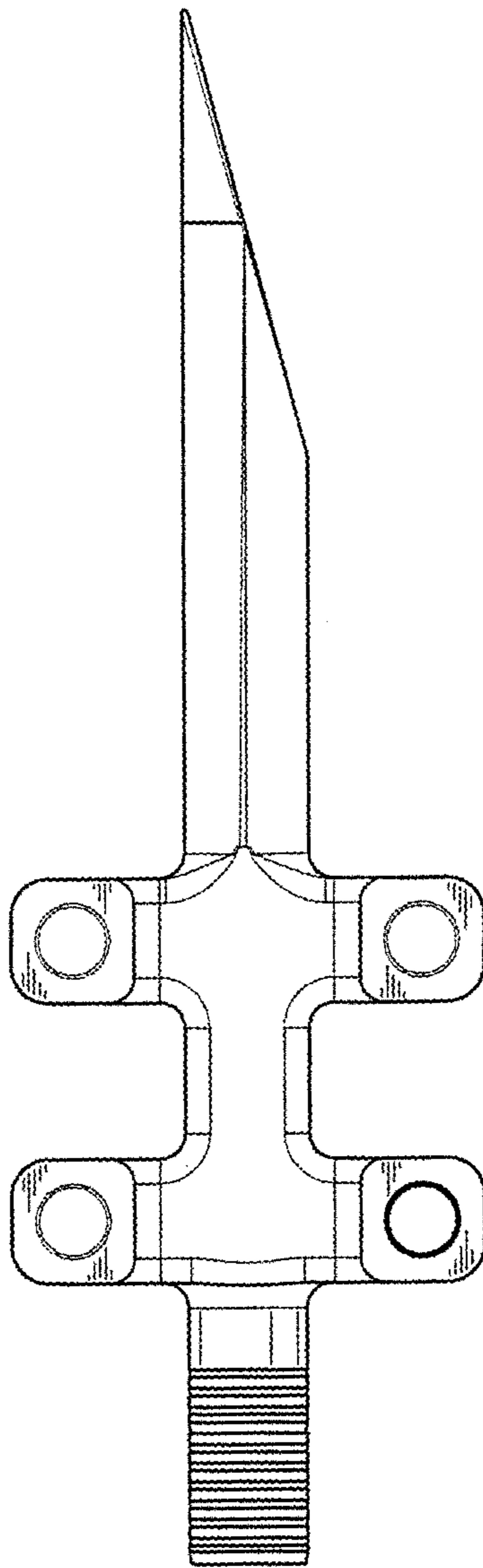


FIG 5

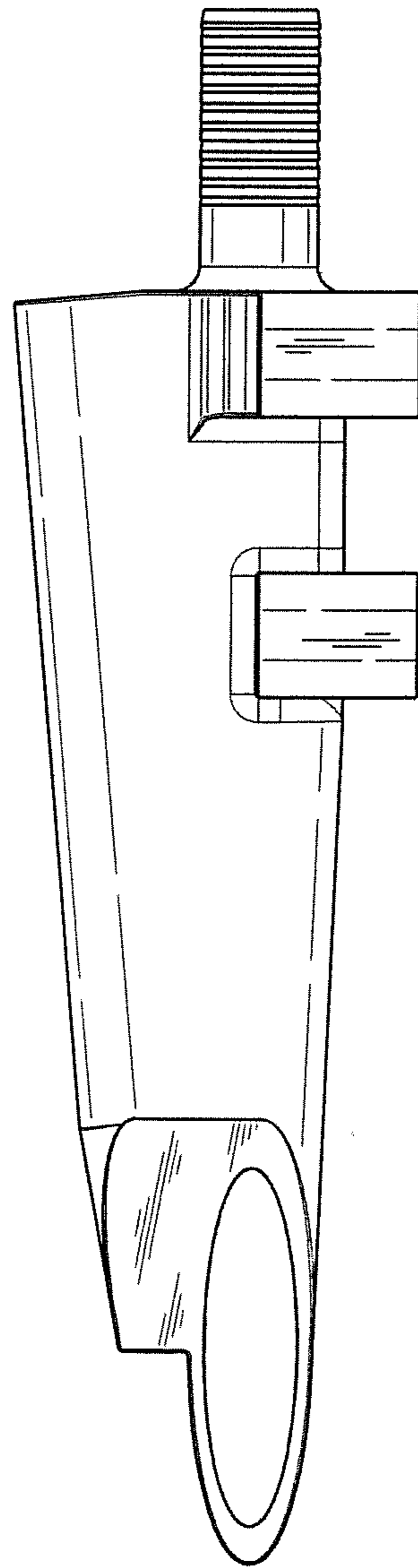


FIG 6

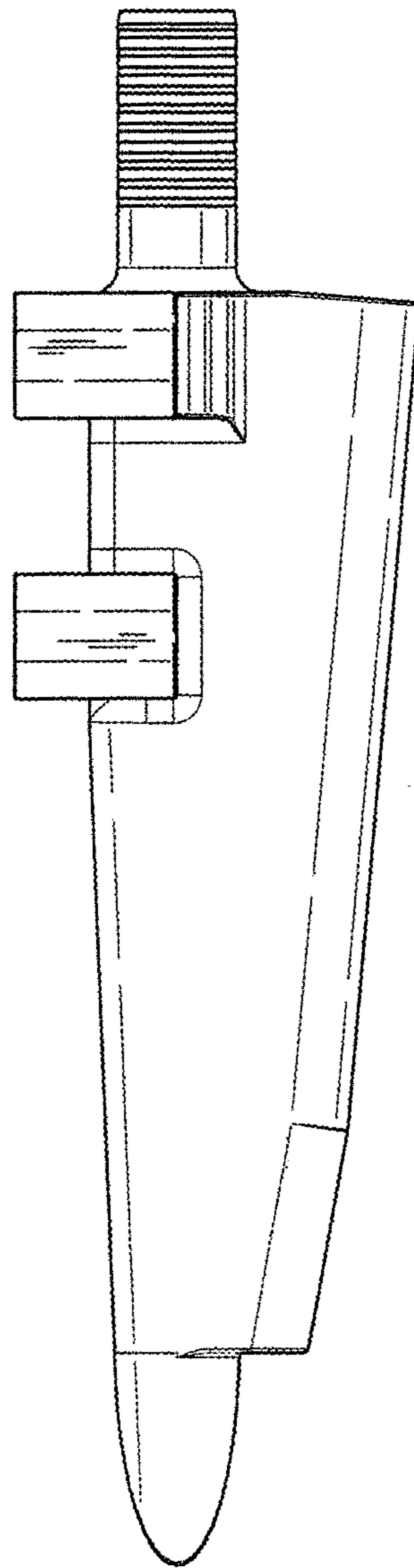


FIG 7

