



US00D779373S

(12) **United States Design Patent**
Mayo

(10) **Patent No.:** **US D779,373 S**

(45) **Date of Patent:** **** Feb. 21, 2017**

(54) **ZIPPER PIN AND BOX ASSEMBLY**

(71) Applicant: **IDEAL Fastener Corporation**, Oxford, NC (US)

(72) Inventor: **William Mayo**, Raleigh, NC (US)

(73) Assignee: **IDEAL Fastener Corporation**, Oxford, NC (US)

(**) Term: **14 Years**

(21) Appl. No.: **29/489,156**

(22) Filed: **Apr. 28, 2014**

(51) **LOC (10) Cl.** **02-07**

(52) **U.S. Cl.**
USPC **D11/221**

(58) **Field of Classification Search**
USPC D11/200–201, 221; 24/381–383,
24/385–387, 414–417, 421–422, 432,
24/412; 2/265; D2/641; 294/2, 3.6;
223/111

CPC A44B 19/00; A44B 19/02; A44B 19/04;
A44B 19/10; A44B 19/24; A44B 19/26;
A44B 19/30; A44B 19/06

See application file for complete search history.

(56) **References Cited**

U.S. PATENT DOCUMENTS

D410,413 S * 6/1999 Pace D11/221
D478,024 S * 8/2003 Nordstrom D11/221

D556,632 S * 12/2007 Cossutti D11/221
D643,778 S * 8/2011 Hasegawa D11/221
D648,246 S * 11/2011 Hasegawa D11/221
8,997,263 B2 4/2015 Damon et al.
9,027,209 B2 5/2015 Blackford et al.
2010/0192332 A1 8/2010 Blackford et al.
2013/0269085 A1 10/2013 Damon

* cited by examiner

Primary Examiner — Ralf Seifert

(74) *Attorney, Agent, or Firm* — Neal Wolgin; Tillman, Wright & Wolgin

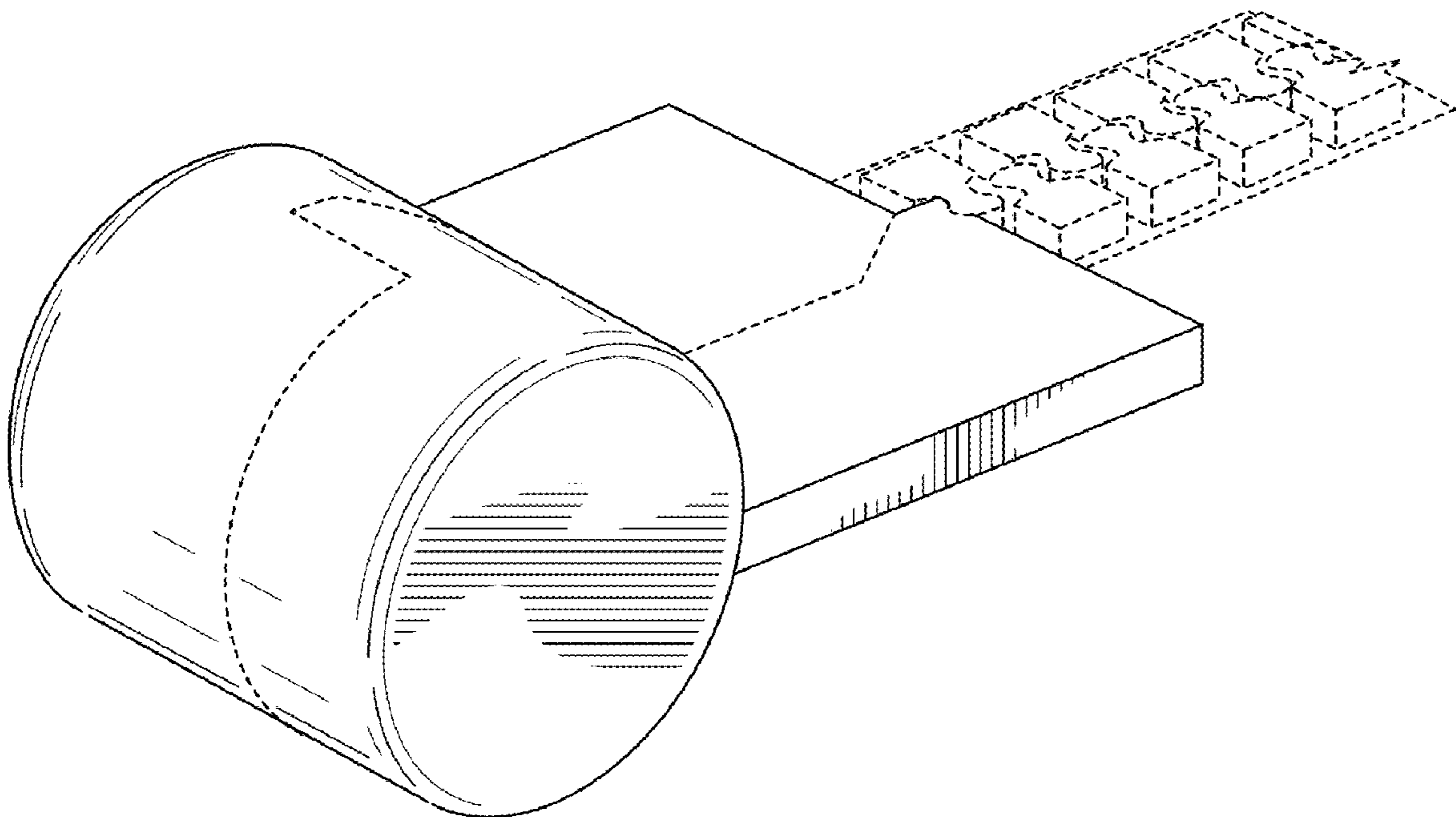
(57) **CLAIM**

The ornamental design for a zipper pin and box assembly, as shown and described.

DESCRIPTION

FIG. 1 is a perspective view of the zipper pin and box assembly;
FIG. 2 is a bottom view of the zipper pin and box assembly;
FIG. 3 is a top view of the zipper pin and box assembly;
FIG. 4 is a right side view of the zipper pin and box assembly;
FIG. 5 is a left side view of the zipper pin and box assembly;
FIG. 6 is a front view of the zipper pin and box assembly;
and,
FIG. 7 is a rear view of the zipper pin and box assembly.

1 Claim, 7 Drawing Sheets



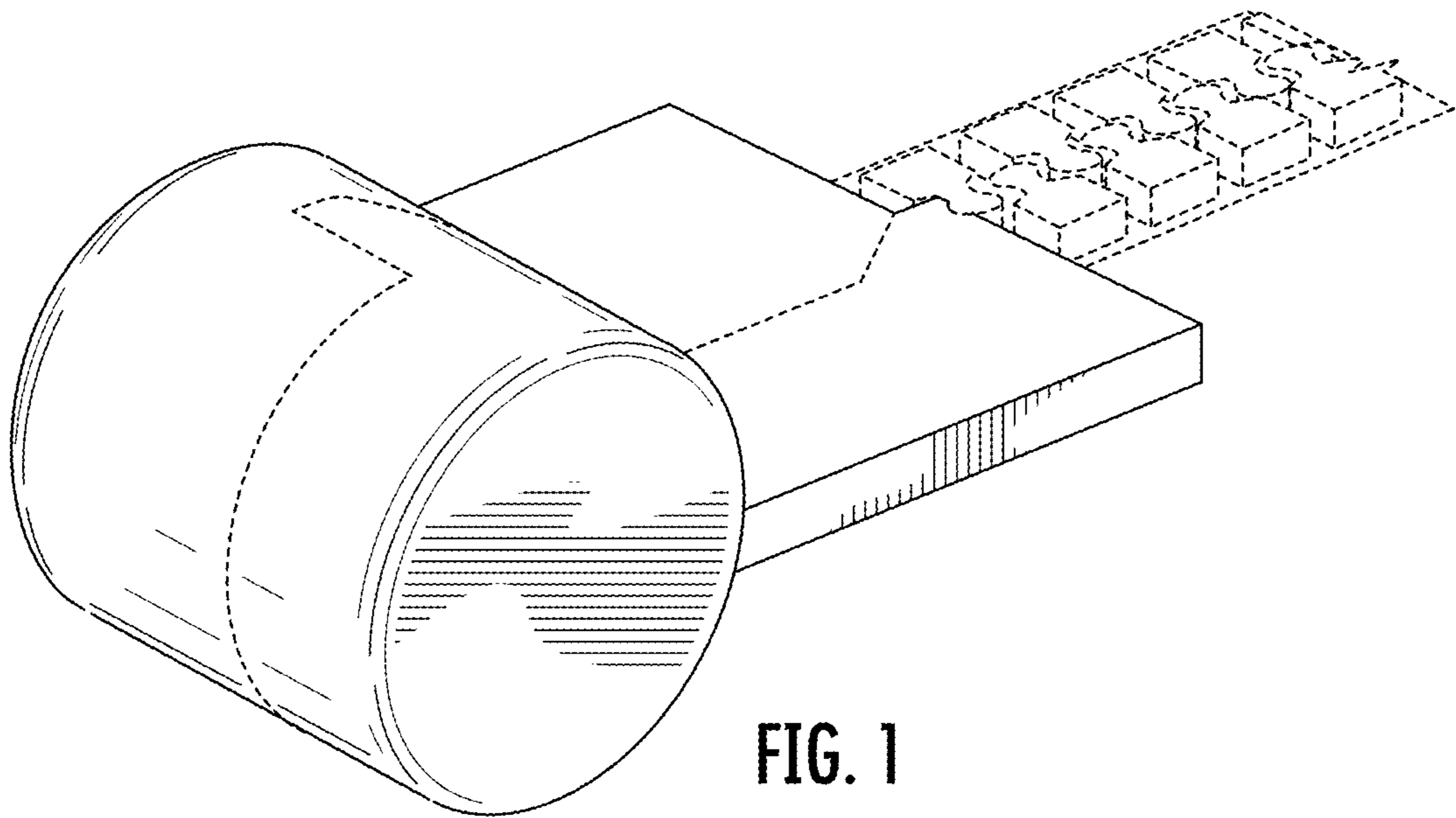


FIG. 1

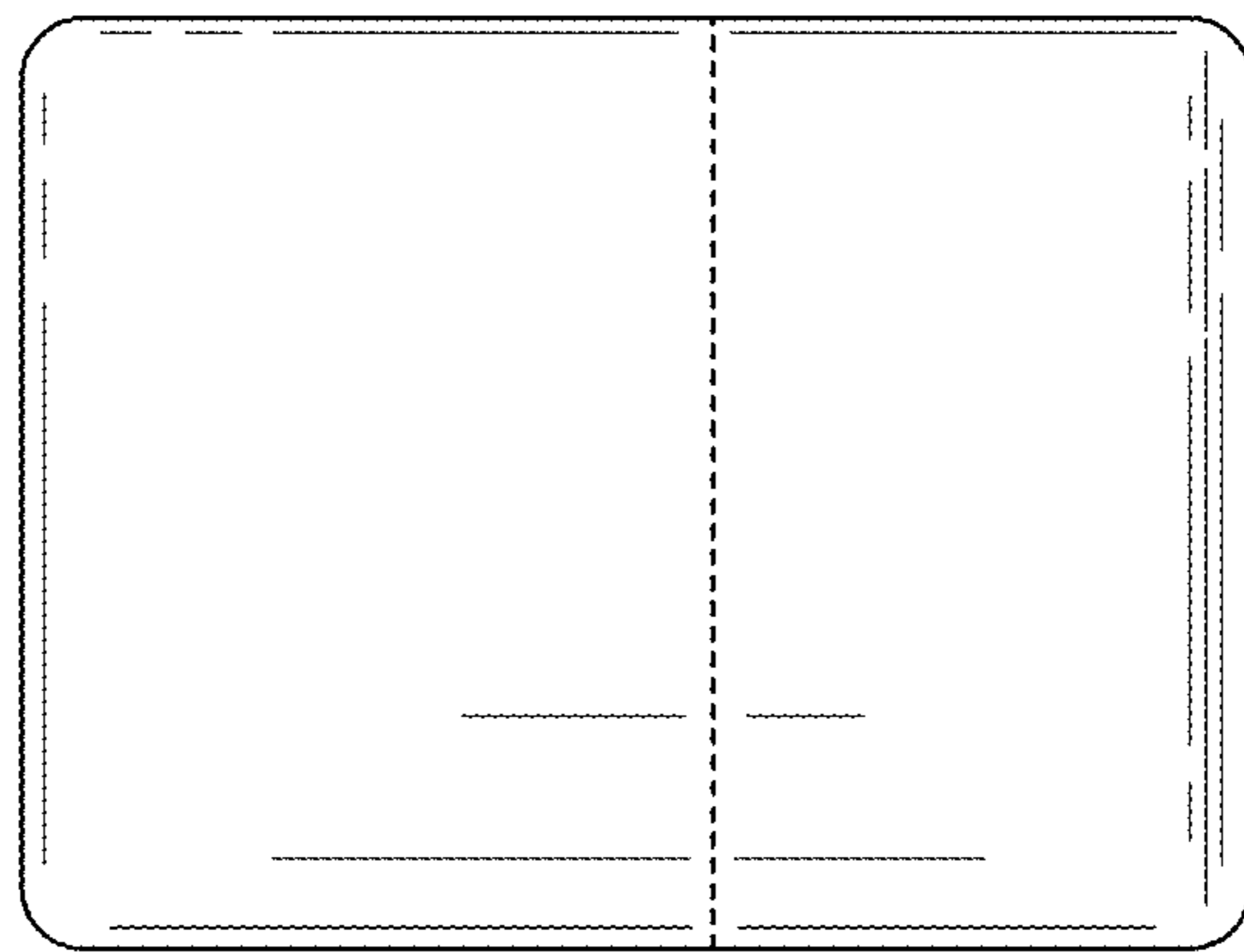


FIG. 2

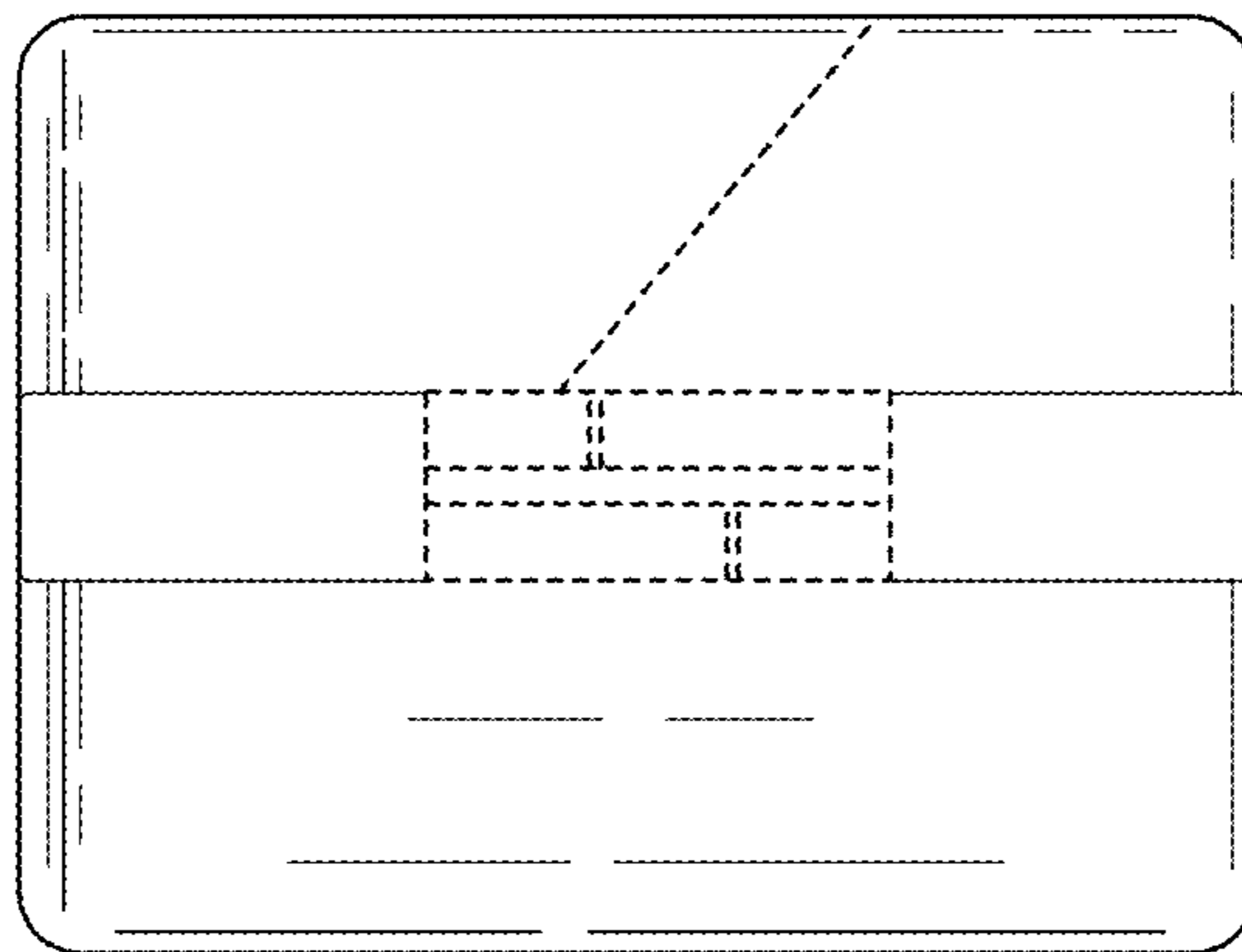


FIG. 3

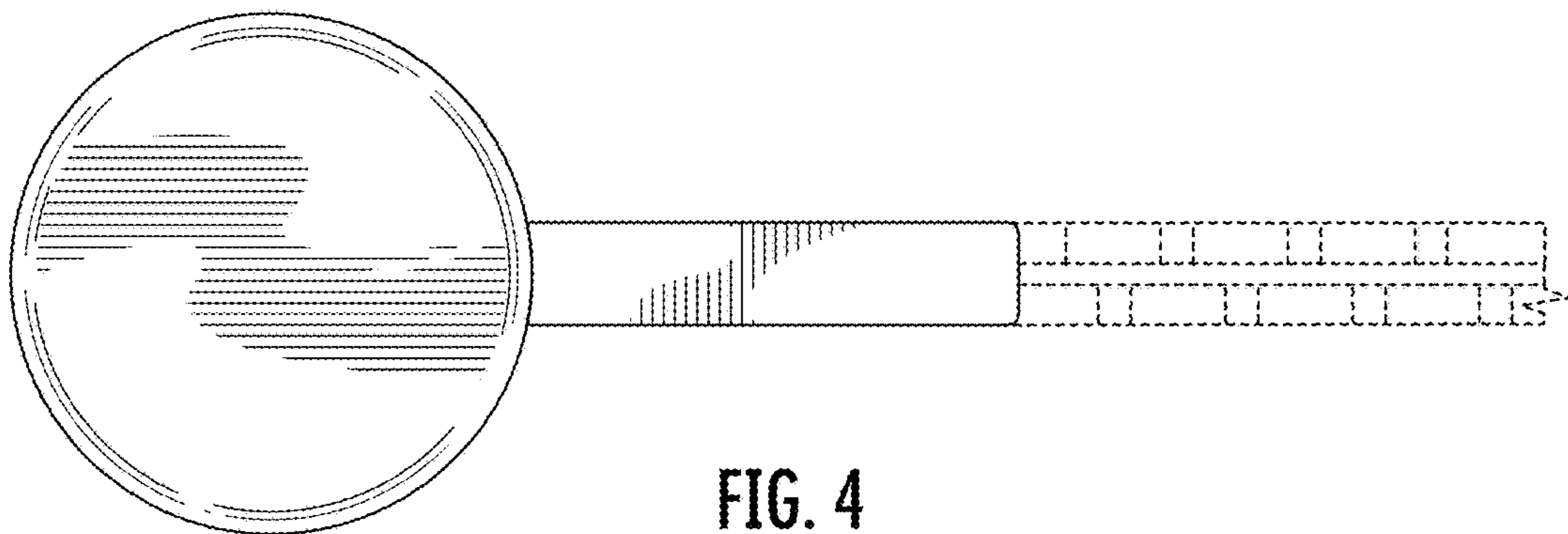


FIG. 4

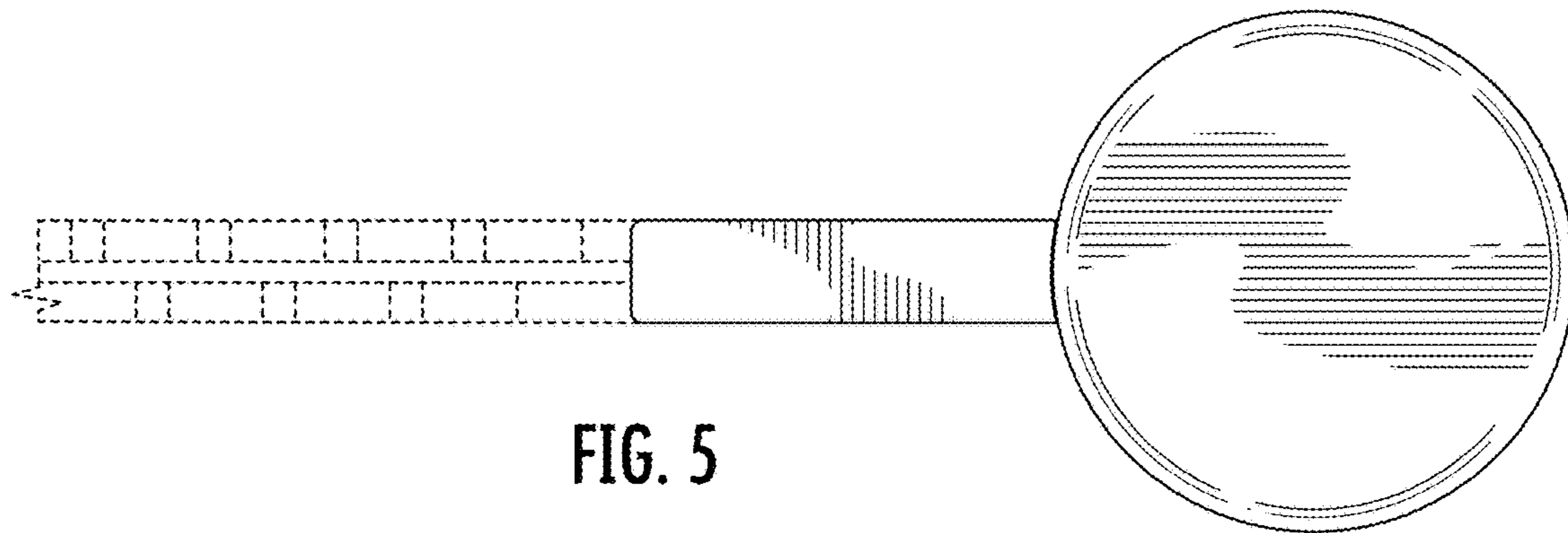


FIG. 5

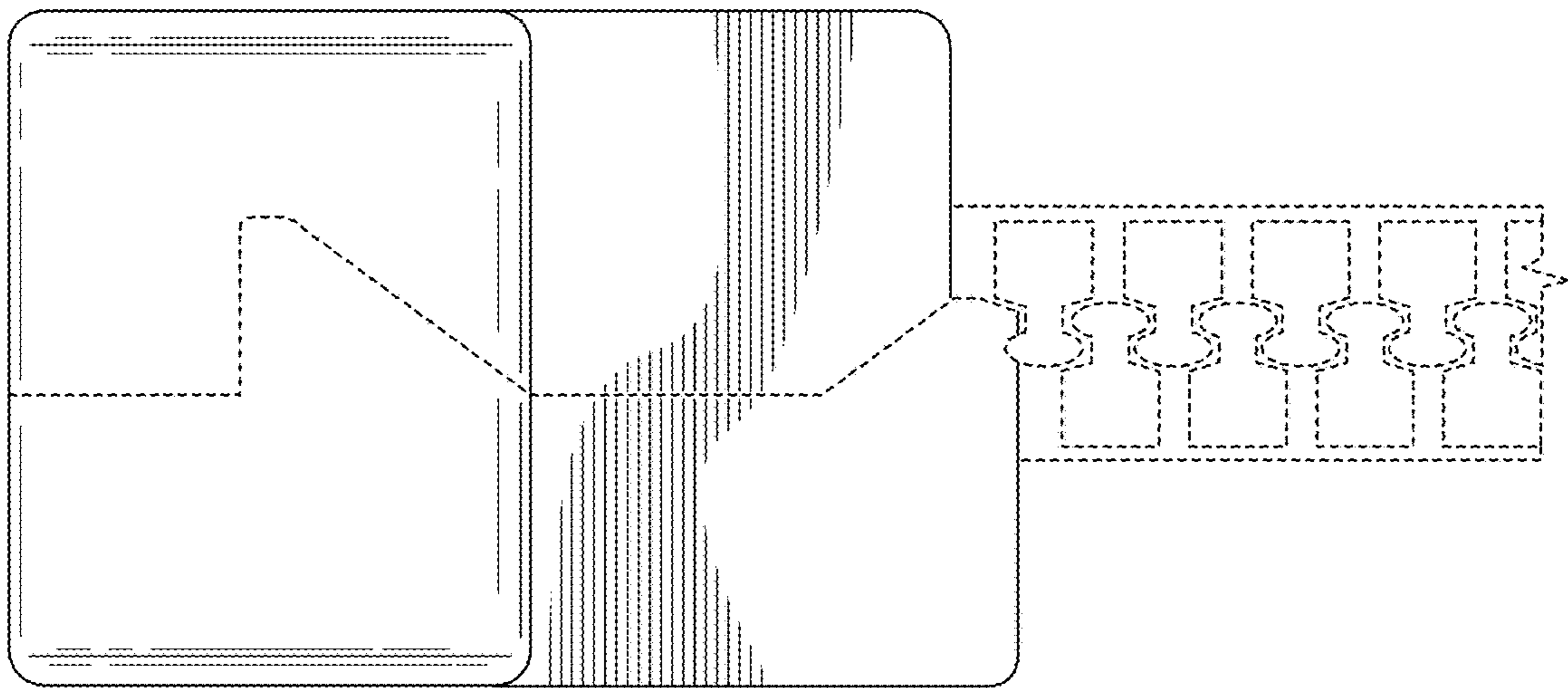


FIG. 6

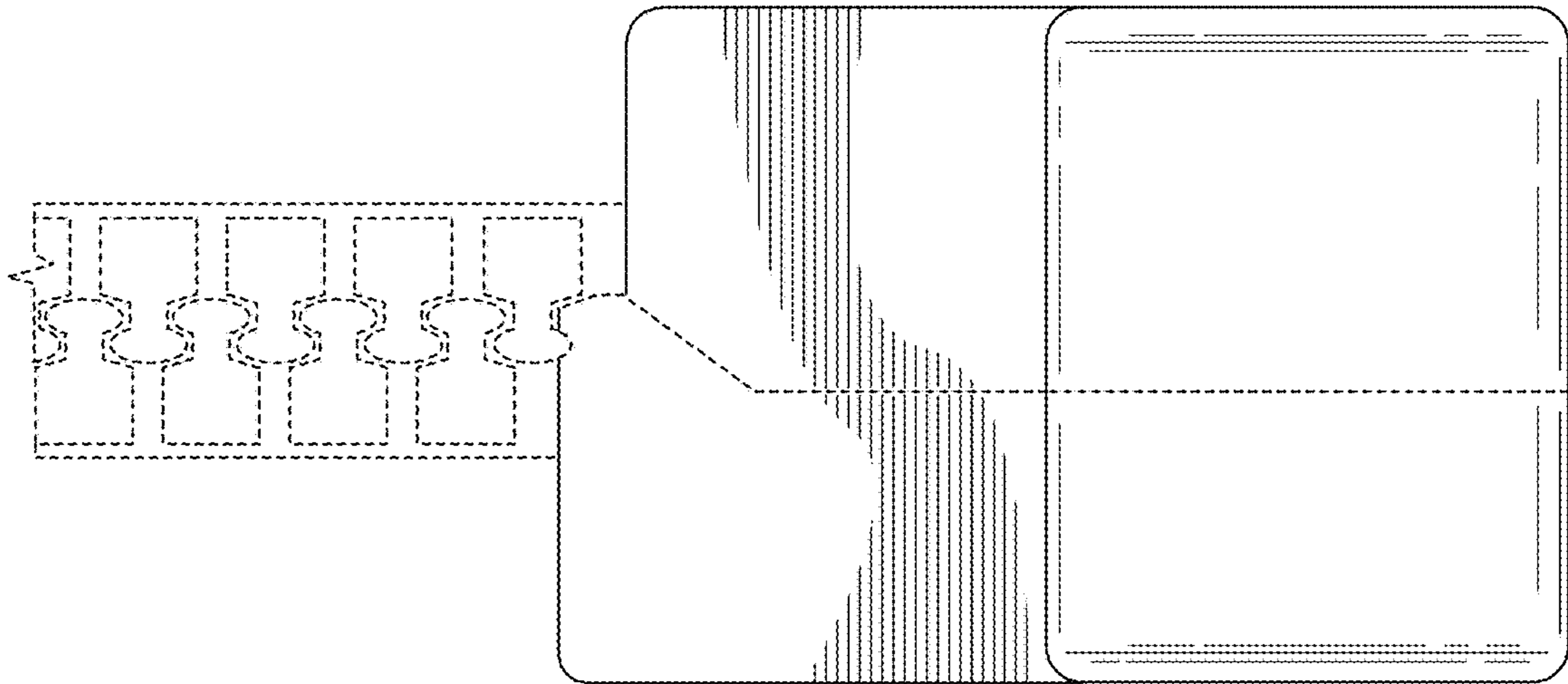


FIG. 7