



US00D779372S

(12) **United States Design Patent** (10) **Patent No.:** **US D779,372 S**
Kornegay (45) **Date of Patent:** **** Feb. 21, 2017**

(54) **PLANTER**

(71) Applicant: **Larry Kornegay**, Phoenix, AZ (US)

(72) Inventor: **Larry Kornegay**, Phoenix, AZ (US)

(**) Term: **15 Years**

(21) Appl. No.: **29/540,230**

(22) Filed: **Sep. 22, 2015**

(51) **LOC (10) Cl.** **11-02**

(52) **U.S. Cl.**
USPC **D11/154**

(58) **Field of Classification Search**
USPC D11/143, 146, 152, 154, 155, 156;
D9/425, 428; D32/37; D34/1
CPC A01G 9/00; A01G 9/02; A01G 9/04;
A01G 9/10; A01G 9/12; A01G
9/14; A01G 9/16; A47G 7/00; A47G 7/06;
A47G 7/08; A47G 7/44; B65D 33/02
See application file for complete search history.

(56) **References Cited**

U.S. PATENT DOCUMENTS

D373,706 S *	9/1996	Gregg	D7/511
D489,573 S *	5/2004	Li	D7/530
D543,326 S *	5/2007	Dretzka	D11/152
D548,084 S *	8/2007	Dittmer	D9/504
D550,509 S *	9/2007	Dretzka	D7/509
D563,170 S *	3/2008	Tornqvist	D7/500
D569,187 S *	5/2008	Sandberg	D7/509
D575,591 S *	8/2008	Bonetti	D7/615
D612,667 S *	3/2010	Klotz	D7/381
D649,051 S *	11/2011	Mongeon	D9/444
D697,614 S *	1/2014	Pick	D24/106
D757,498 S *	5/2016	Beller	D7/524

OTHER PUBLICATIONS

Rectangular faceted antique mirror planter, printout available online on Sep. 20, 2015 at: <http://www.worlds-away.com/amtfac.html>, 1 page.

* cited by examiner

Primary Examiner — Rosemary K Tarcza

Assistant Examiner — Alison Ofstun

(74) *Attorney, Agent, or Firm* — Heslin Rothenberg Farley & Mesiti, P.C.

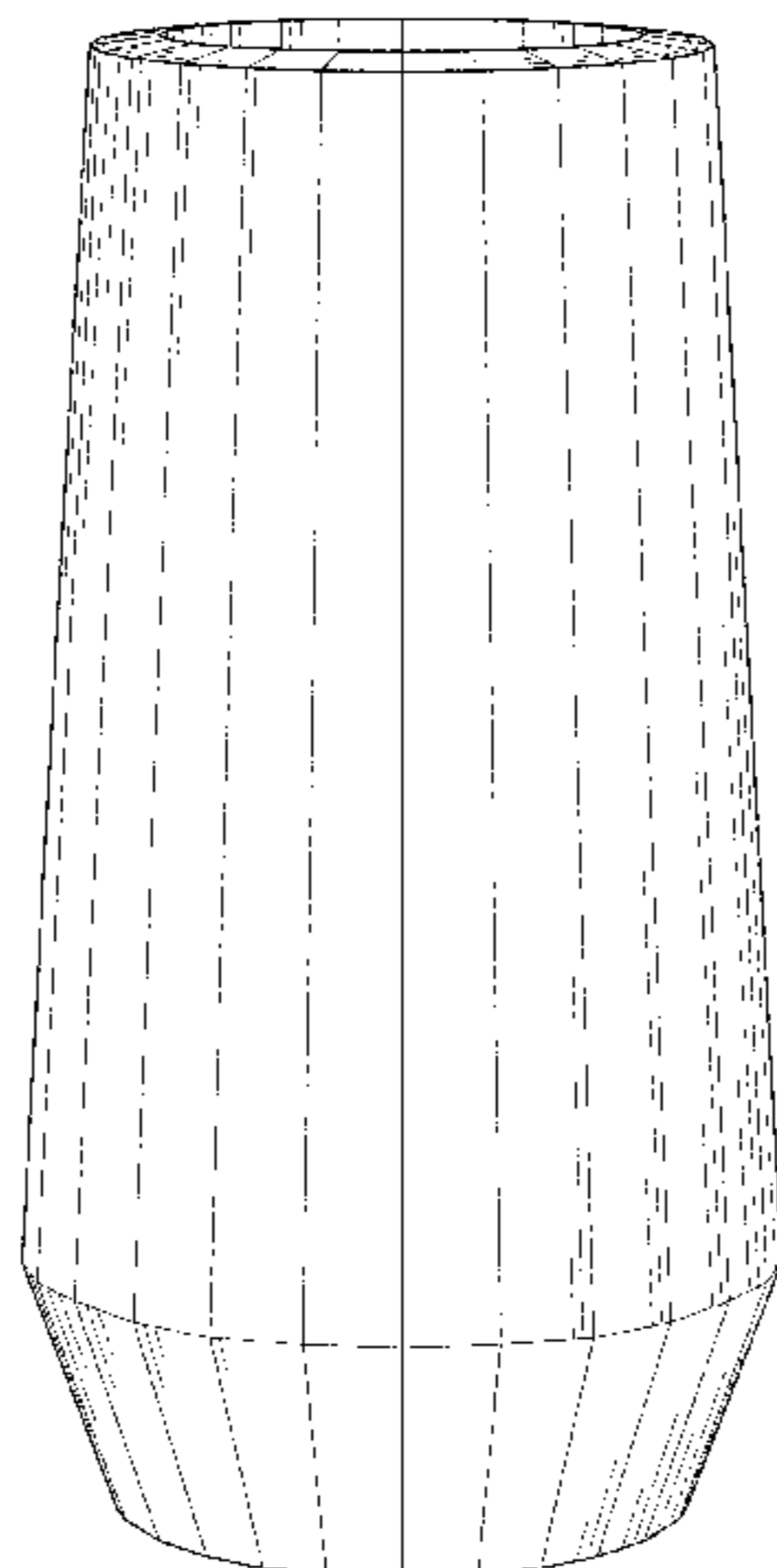
(57) **CLAIM**

The ornamental design for a planter, as shown and described.

DESCRIPTION

FIG. 1 is a perspective view of a first embodiment of the planter of the present invention;
FIG. 2 is a top plan view thereof;
FIG. 3 is a front elevation view thereof, the right side elevation, rear elevation and left side elevation views being identical thereto;
FIG. 4 is a bottom plan view thereof;
FIG. 5 is a perspective view of a second embodiment of the planter of the present invention;
FIG. 6 is a top plan view thereof;
FIG. 7 is a front elevation view thereof, the right side elevation, rear elevation and left side elevation views being identical thereto;
FIG. 8 is a bottom plan view thereof;
FIG. 9 is a perspective view of a third embodiment of the planter of the present invention;
FIG. 10 is a top plan view thereof.
FIG. 11 is a front elevation view thereof, the right side elevation, rear elevation and left side elevation views being identical thereto; and,
FIG. 12 is a bottom plan view thereof.
The broken lines shown in the figures illustrate portions of the article that form no part of the claimed design.

1 Claim, 12 Drawing Sheets



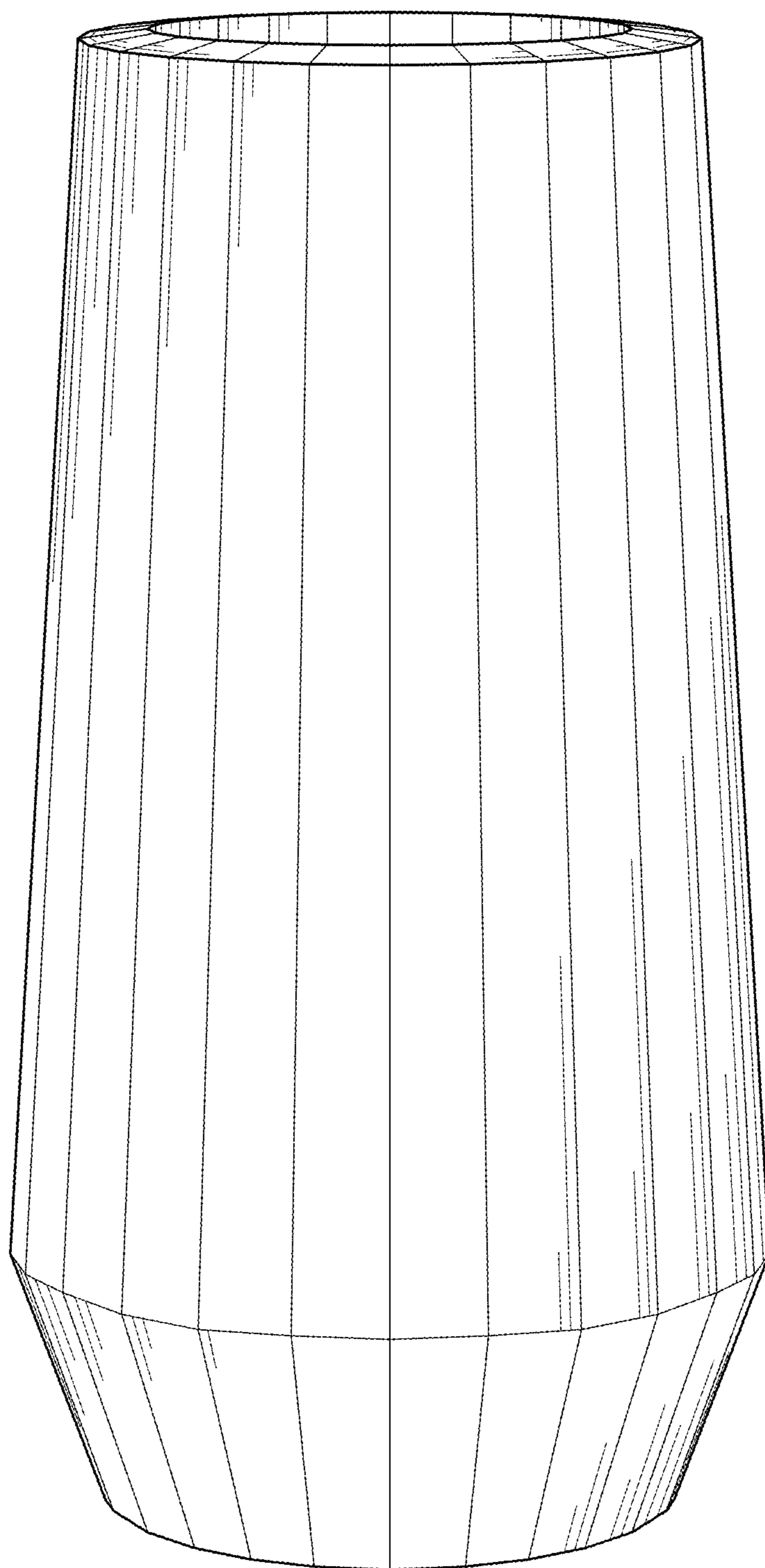


FIG. 1

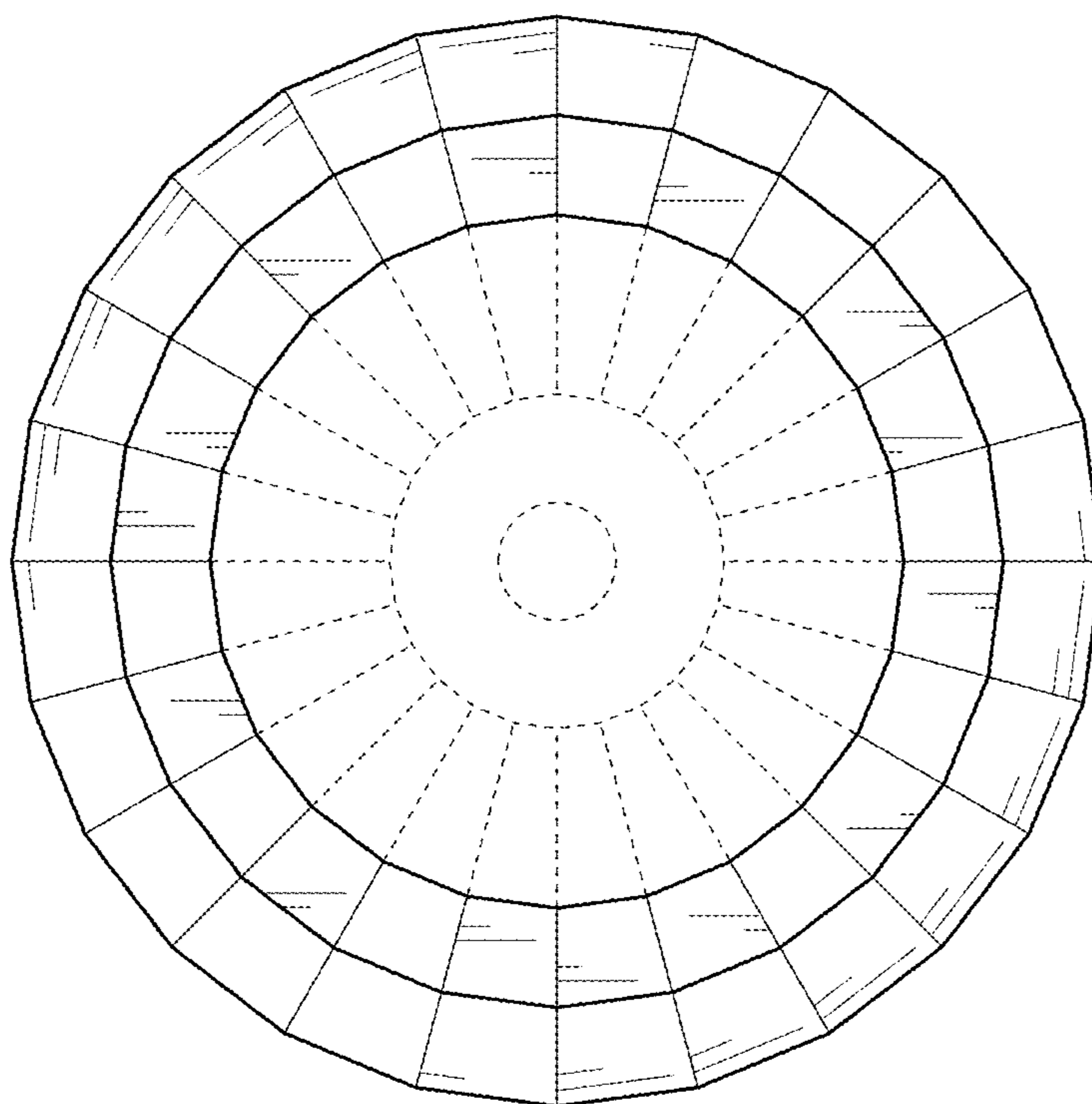


FIG. 2

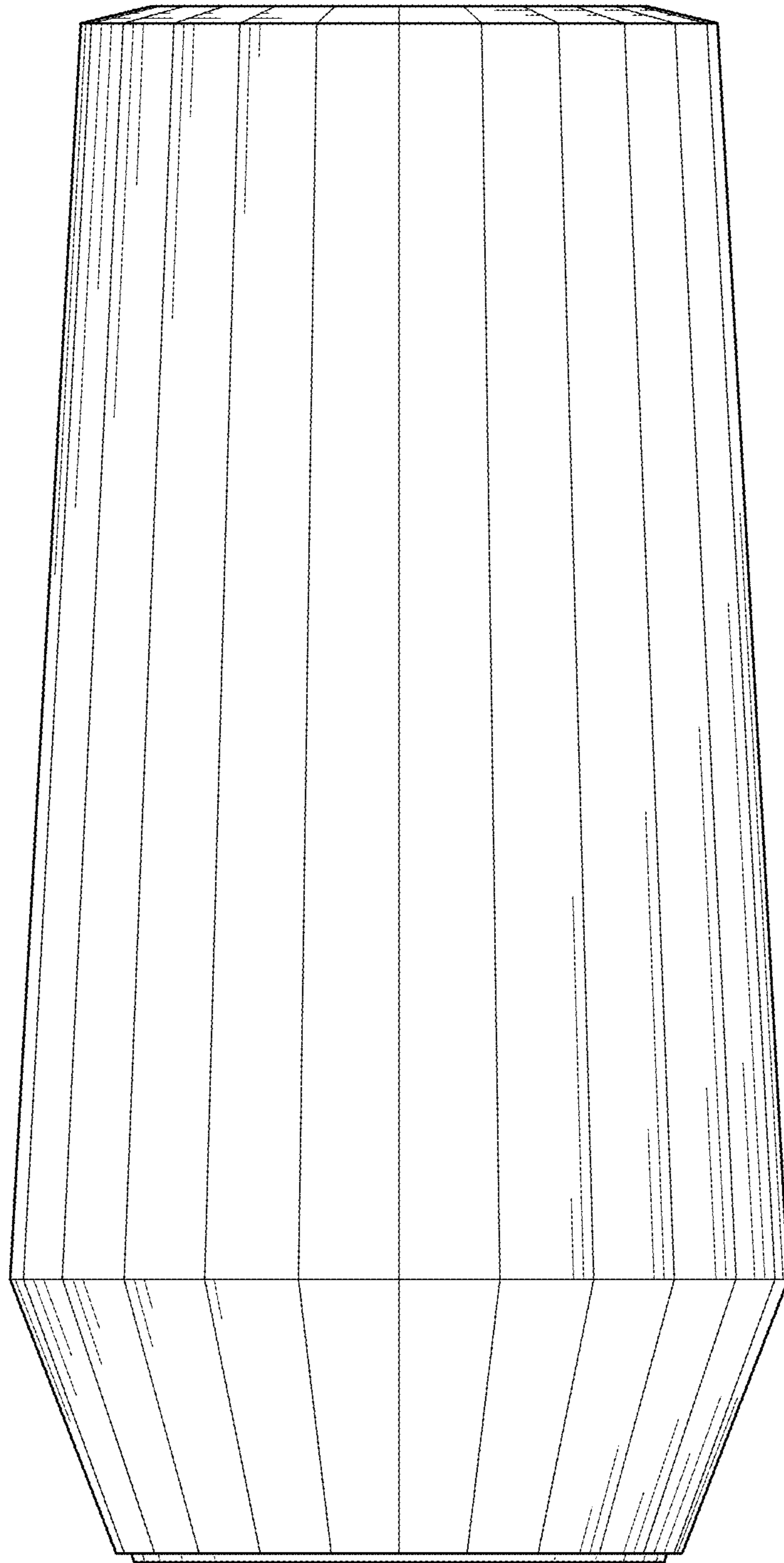


FIG. 3

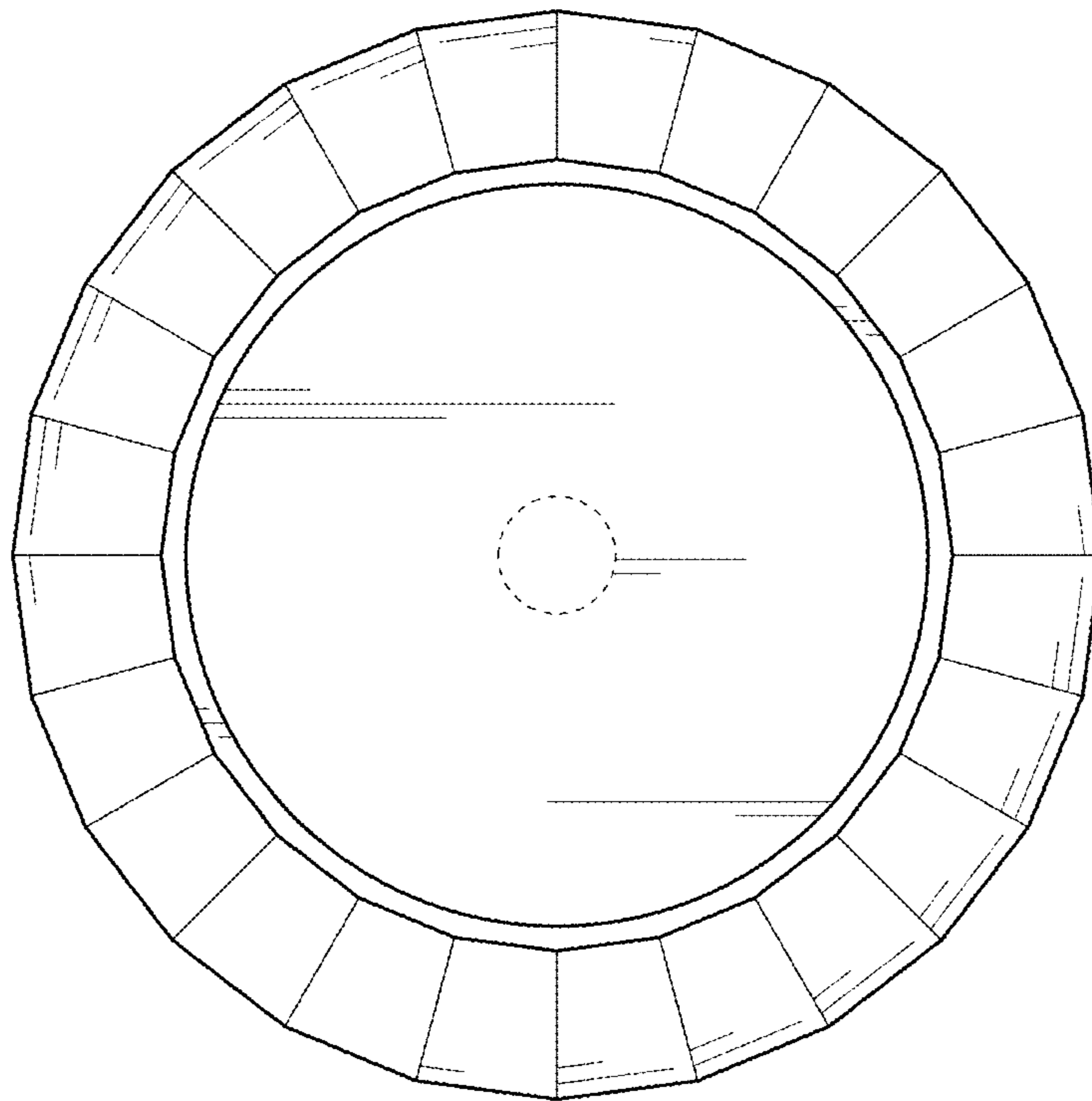


FIG. 4

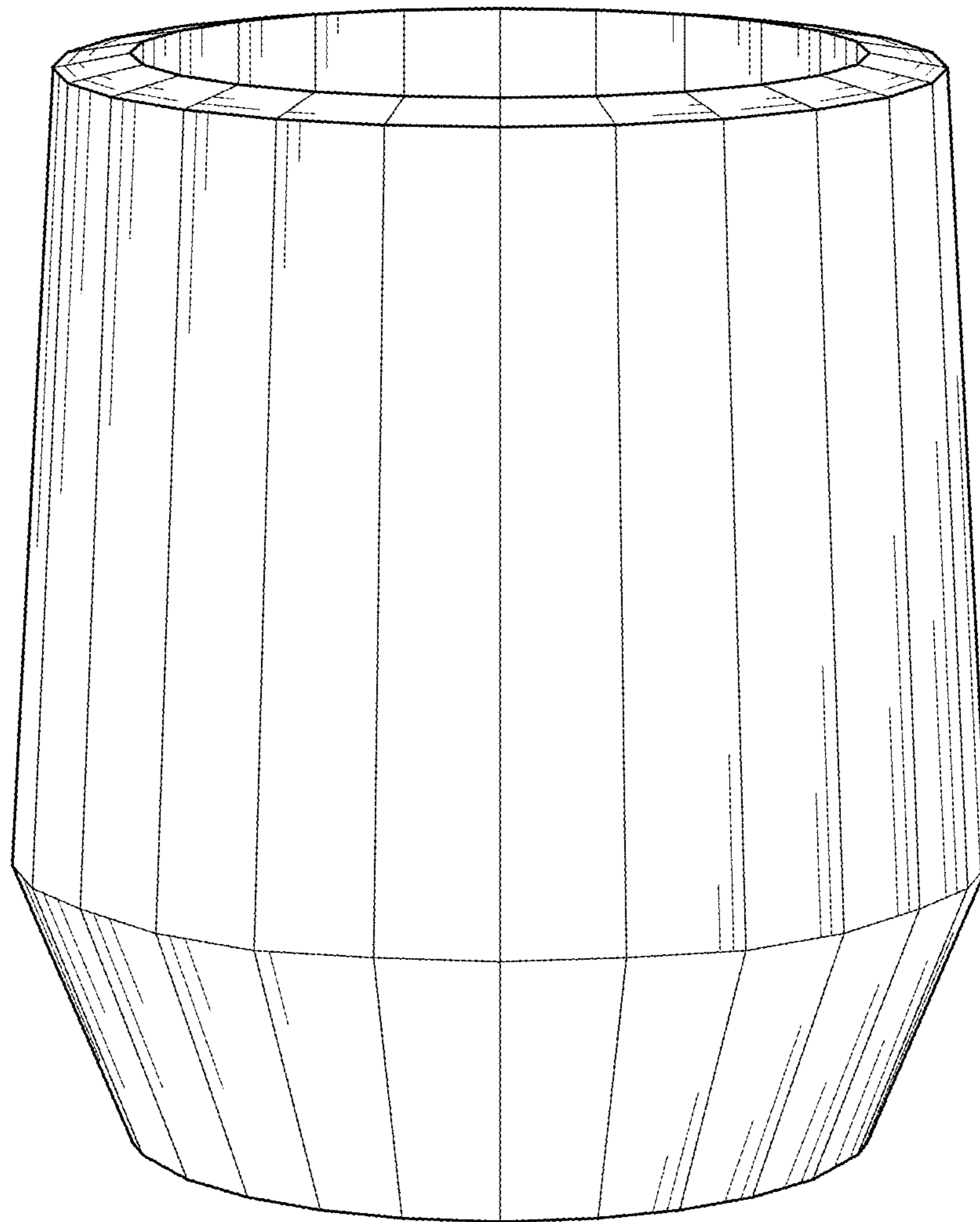


FIG. 5

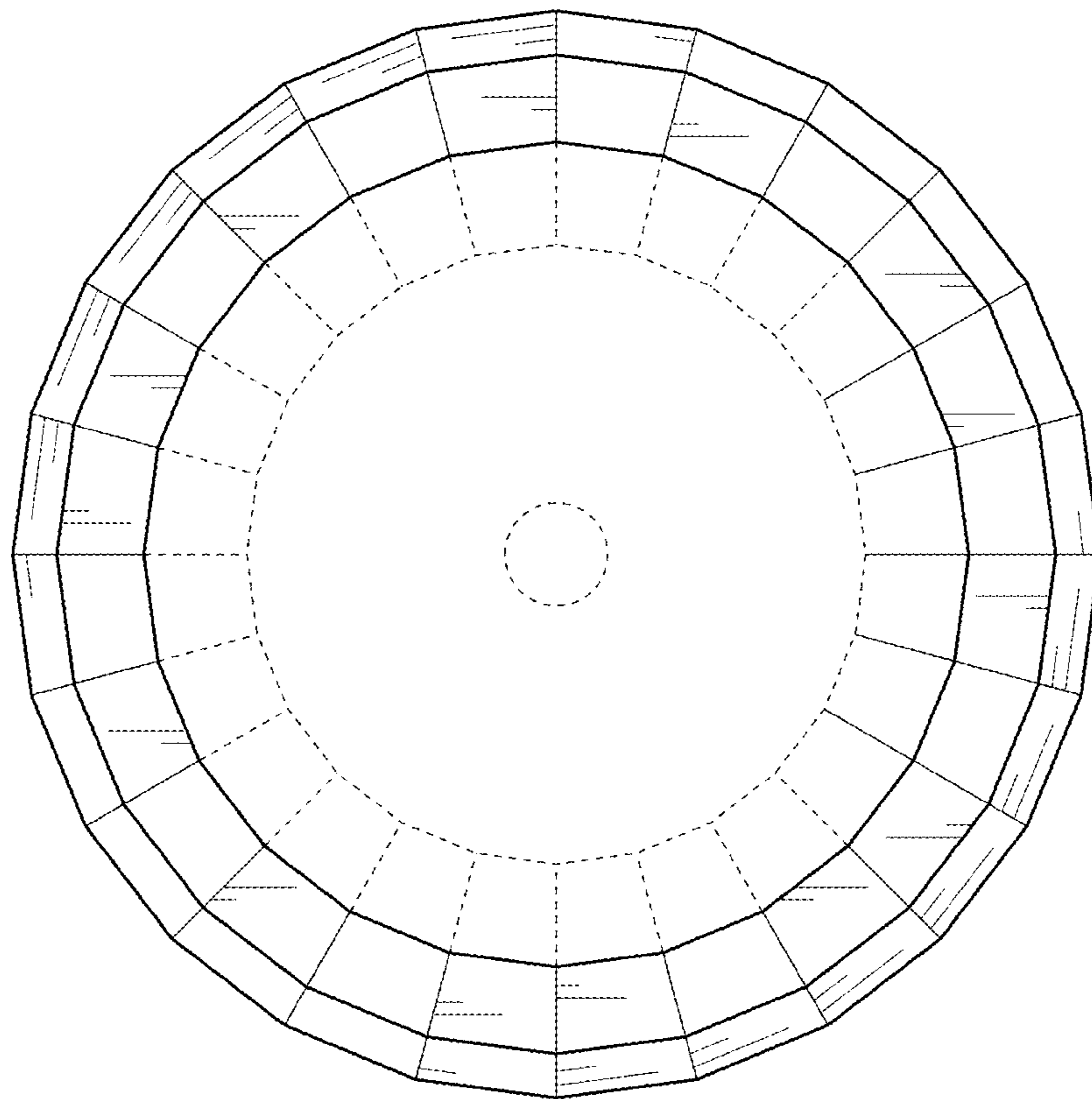


FIG. 6

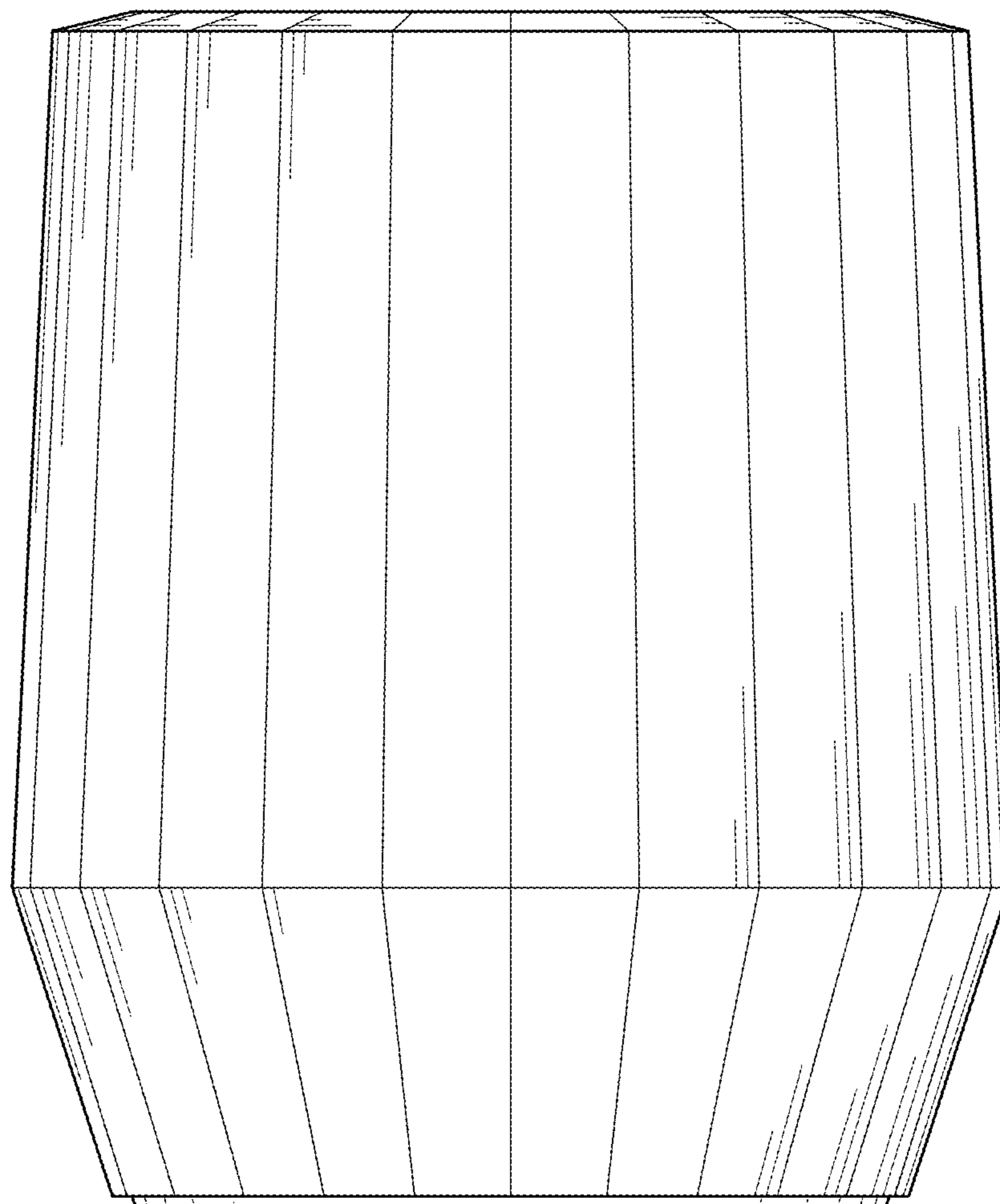


FIG. 7

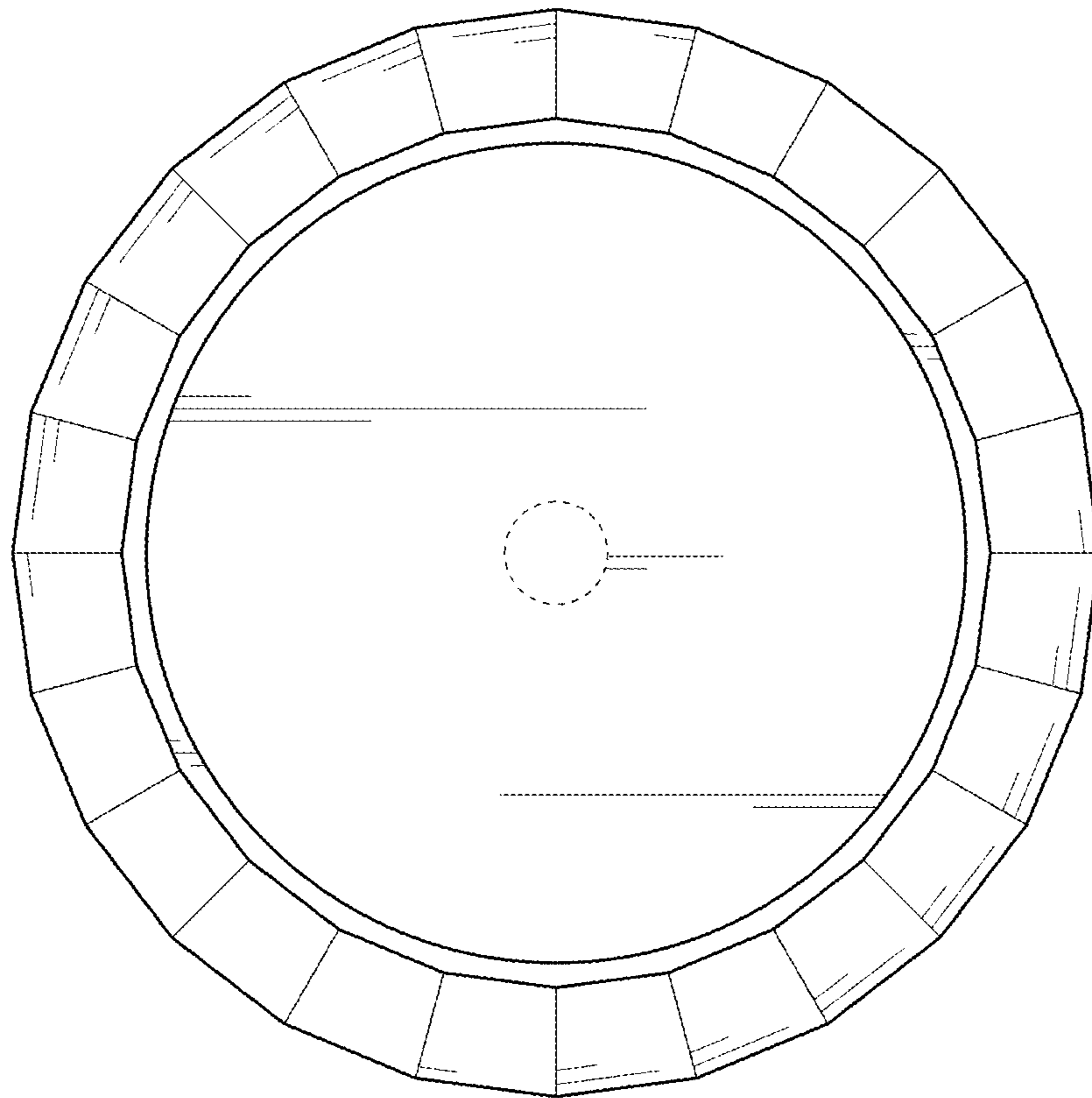


FIG. 8

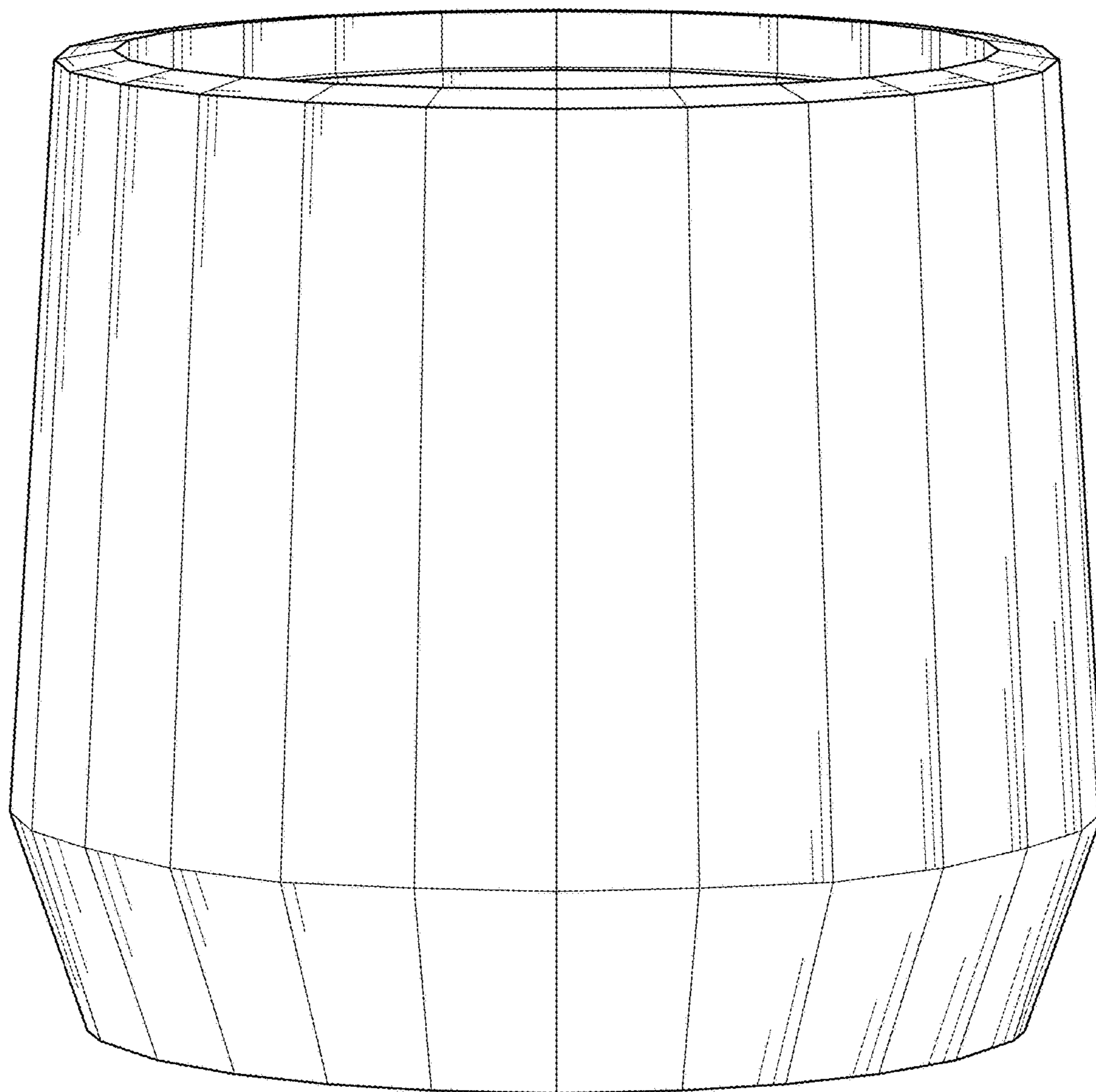


FIG. 9

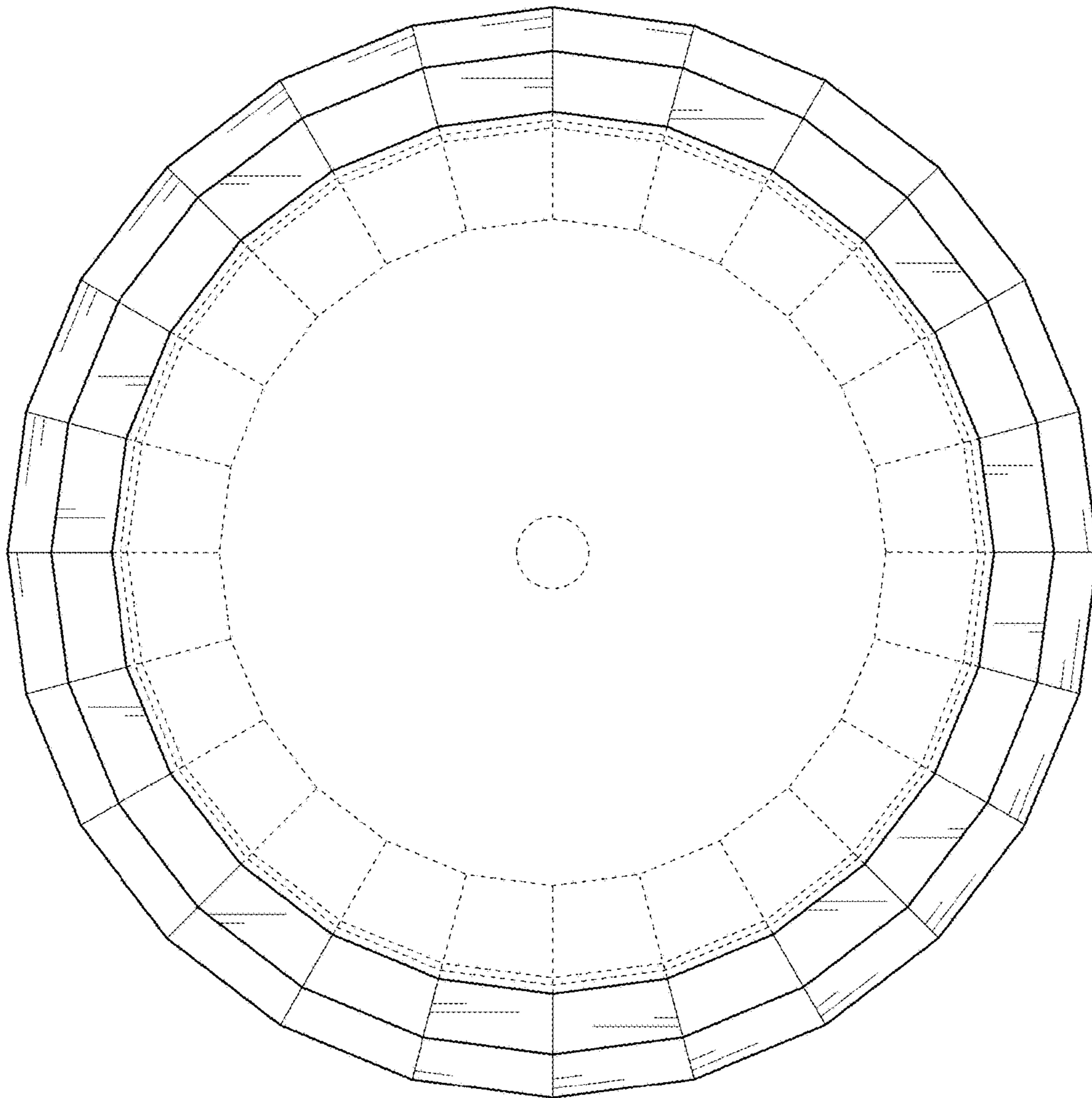


FIG. 10

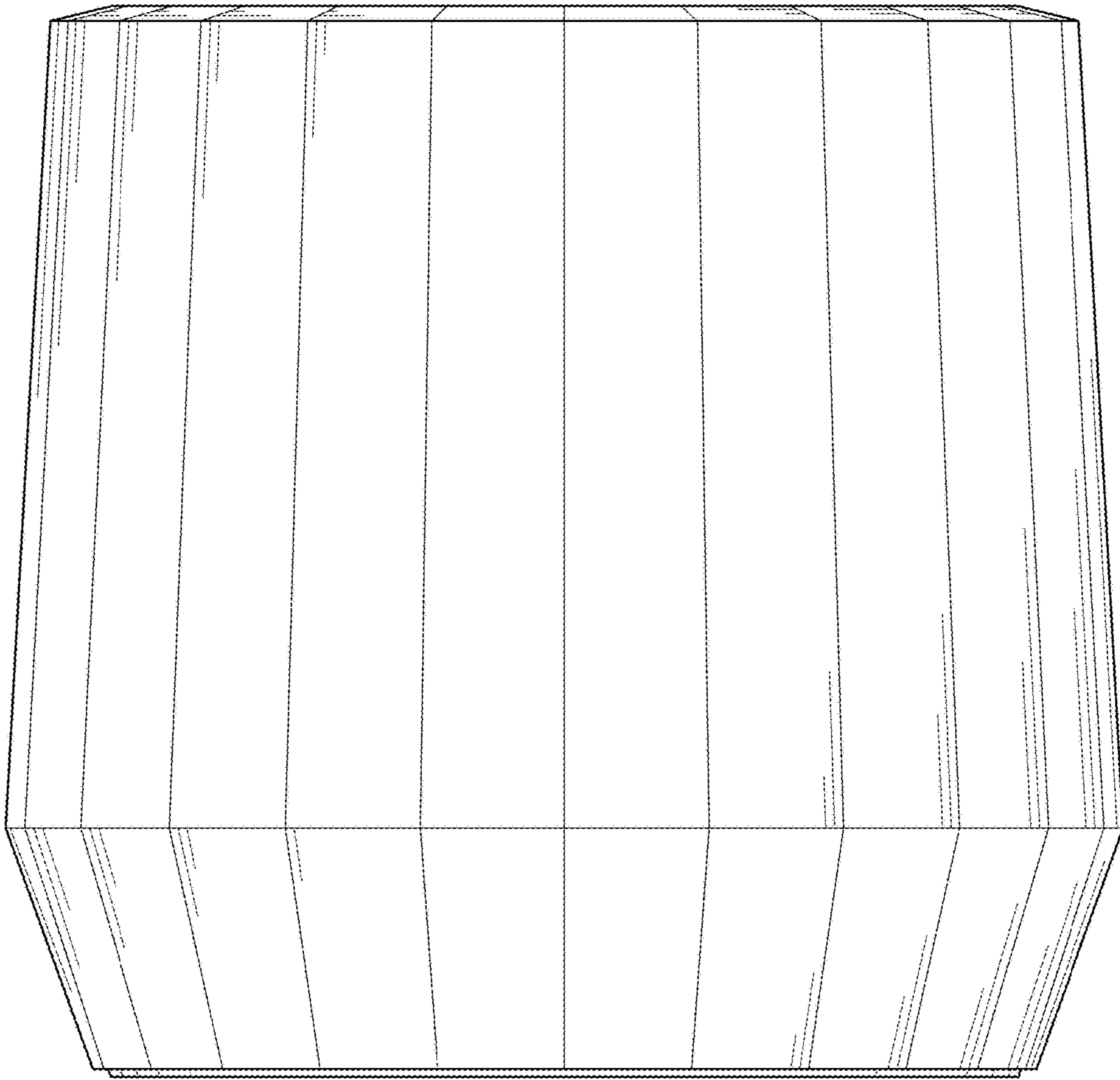


FIG. 11

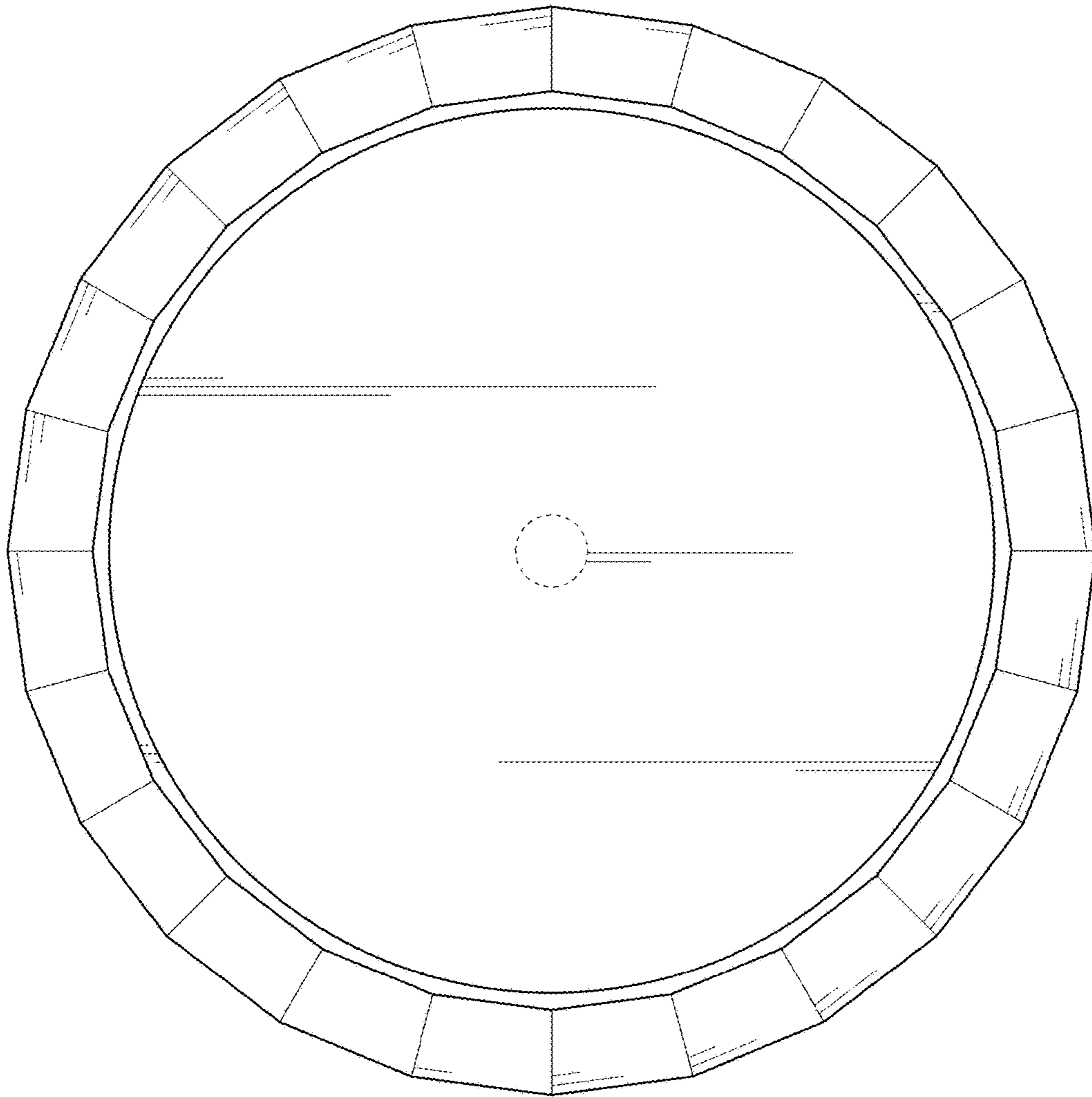


FIG. 12