



US00D779369S

(12) **United States Design Patent**  
**Kashar**

(10) **Patent No.:** **US D779,369 S**

(45) **Date of Patent:** **\*\* Feb. 21, 2017**

(54) **PENDANT**

D622,630 S \* 8/2010 De Felice ..... D11/160  
D653,987 S \* 2/2012 Merciez ..... D11/104  
D662,553 S \* 6/2012 Selbe ..... D20/33

(71) Applicant: **Alexis Kashar**, Scarsdale, NY (US)

(72) Inventor: **Alexis Kashar**, Scarsdale, NY (US)

(\*\*) Term: **14 Years**

(21) Appl. No.: **29/502,982**

(22) Filed: **Sep. 22, 2014**

(51) **LOC (10) Cl.** ..... **11-01**

(52) **U.S. Cl.**

USPC ..... **D11/83**; D11/104

(58) **Field of Classification Search**

USPC .... D11/1, 2, 7, 8, 40-48, 79-86, 90, 91, 92,  
D11/93, 54, 56, 95, 97, 98, 99, 50, 51,  
D11/52,

D11/53, 104, 103, 102, 105

CPC .. A44C 1/00; A44C 3/00; A44C 3/004; A44C  
3/005; A44C 3/007; A44C 3/008; A44C  
5/02; A44C 7/002; A44C 25/00; A44C  
25/001; A44C 25/002; A44C 25/004;

A44C 25/005; A44C 25/007

See application file for complete search history.

(56) **References Cited**

**U.S. PATENT DOCUMENTS**

D121,482 S \* 7/1940 Silson ..... D11/144  
D122,231 S \* 8/1940 Glass ..... D11/54  
D130,072 S \* 10/1941 Low ..... D11/54  
D252,541 S \* 8/1979 Harper ..... D11/104  
D258,860 S \* 4/1981 DiPietro ..... D11/104  
D291,977 S \* 9/1987 Sebring ..... D11/102  
D567,476 S \* 4/2008 Harland ..... D2/615

**OTHER PUBLICATIONS**

[Online] <http://i01.i.aliimg.com/wsphoto/v0/32259827543/65218597365490-Silver-Plated-Love-font-b-Hand-b-font-b-Sign-b-font-b.jpg>. Retrieved Jan. 7, 2016.\*

[Online] <https://www.etsy.com/listing/261843821/american-sign-language-ily-quartz?ref=related-1>. Retrieved Jan. 7, 2016.\*

[Online] <http://charms123.com/store/images/SignLanguageILoveYouPewterCharm.jpg>. Retrieved Jan. 7, 2016.\*

\* cited by examiner

*Primary Examiner* — Garth Rademader

*Assistant Examiner* — Melanie Pellegrini

(74) *Attorney, Agent, or Firm* — James E. Walton;  
Damon R. Hickman

(57) **CLAIM**

The ornamental design for a pendant, as shown and described.

**DESCRIPTION**

FIG. 1 is a perspective view of a pendant according to the present application.

FIG. 2 is a front view of the pendant of FIG. 1.

FIG. 3 is a back view of the pendant of FIG. 1.

FIG. 4 is a left side view of the pendant of FIG. 1.

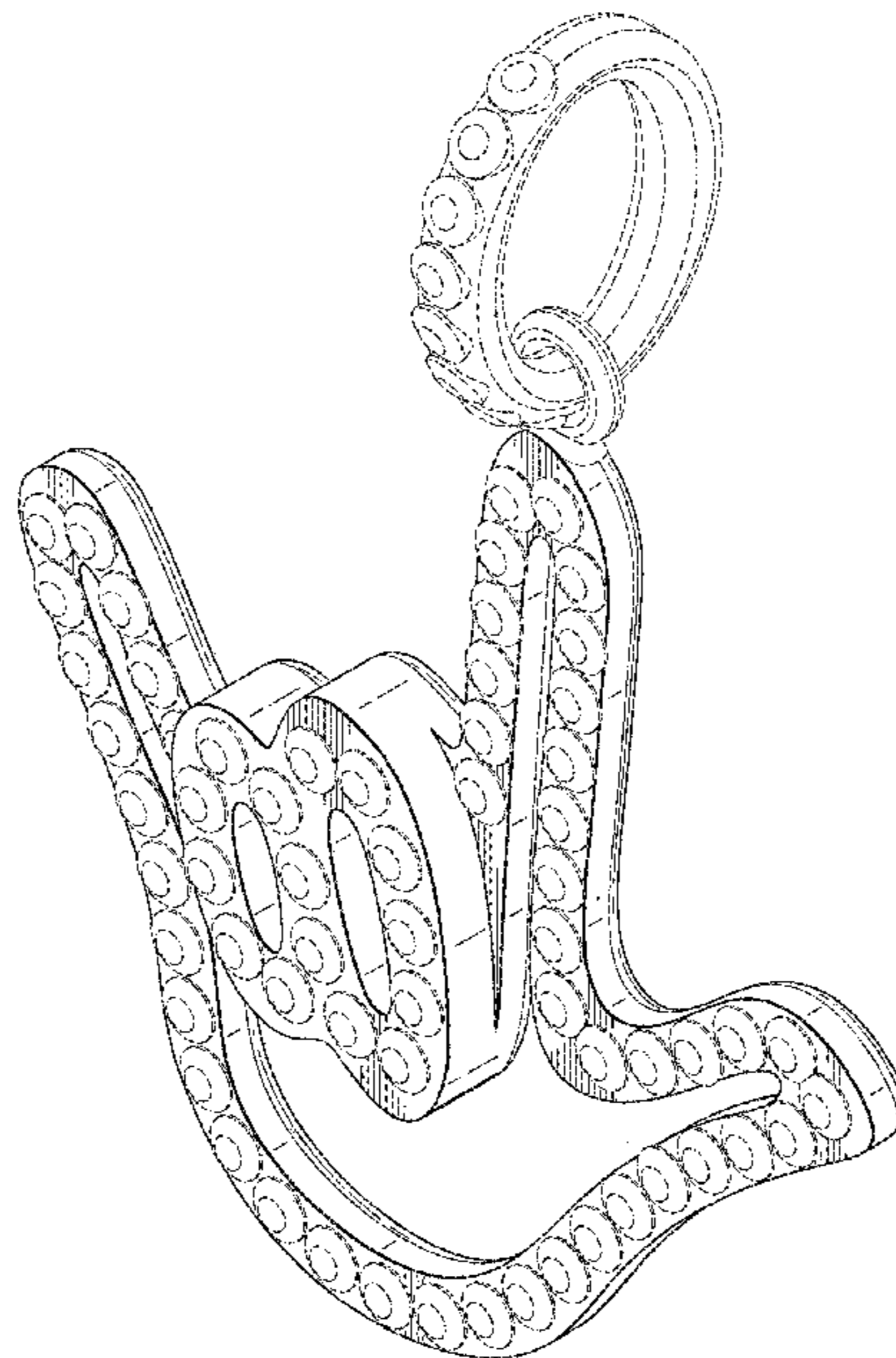
FIG. 5 is a right side view of the pendant of FIG. 1.

FIG. 6 is a top view of the pendant of FIG. 1; and,

FIG. 7 is a bottom view of the pendant of FIG. 1.

The broken lines shown in the drawings illustrate portions of the pendant which form no part of the claimed design.

**1 Claim, 5 Drawing Sheets**



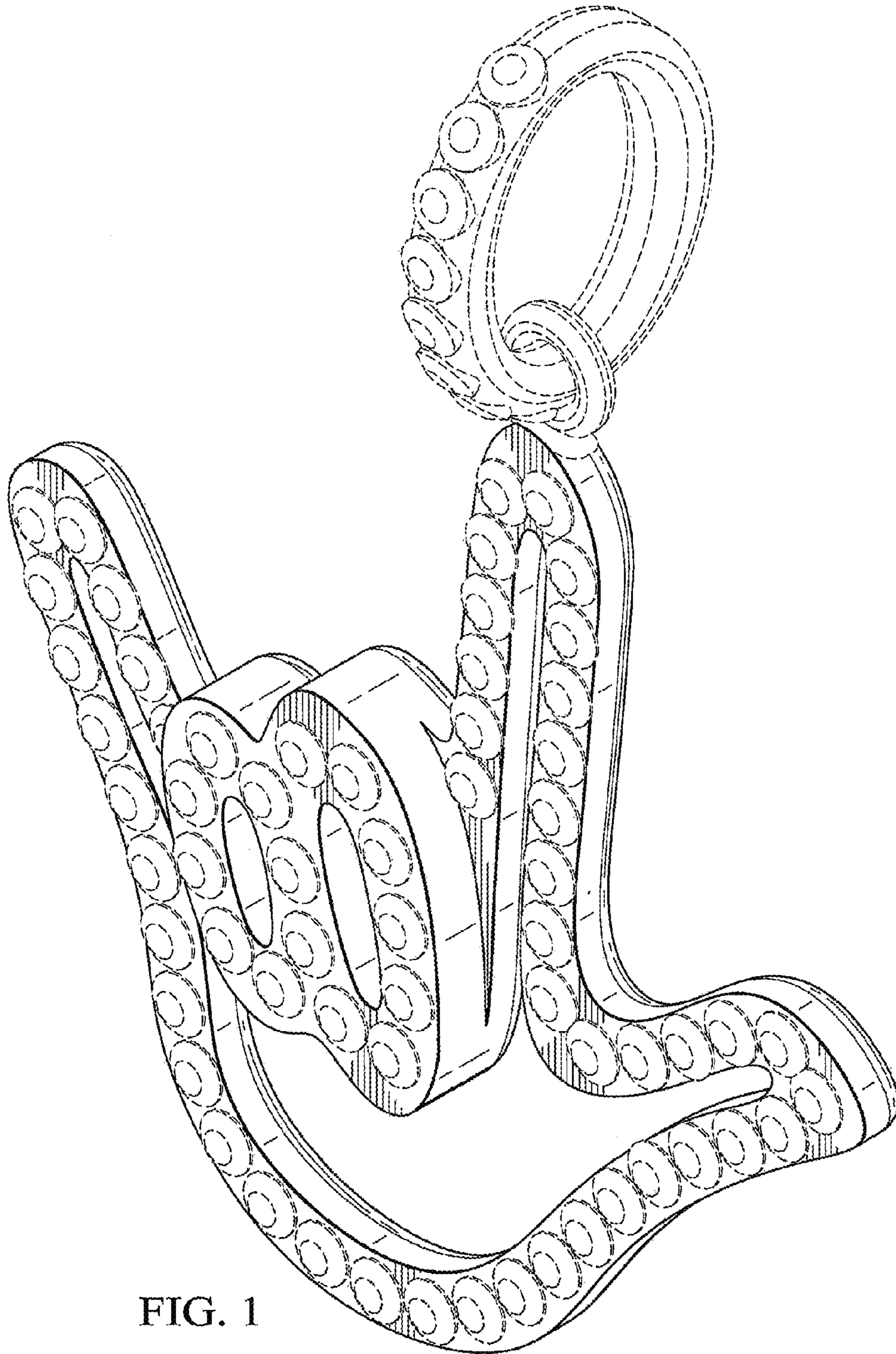


FIG. 1

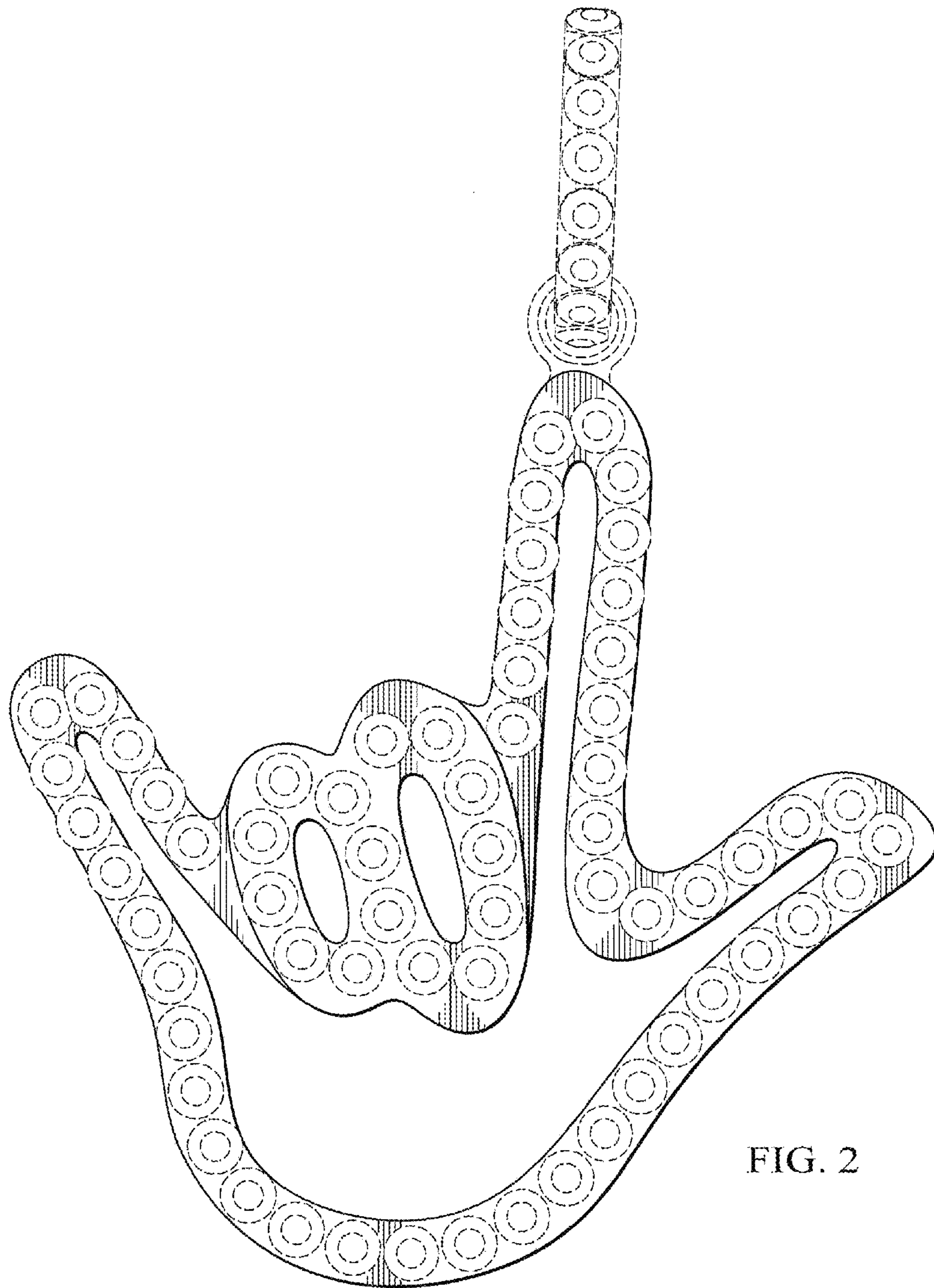


FIG. 2



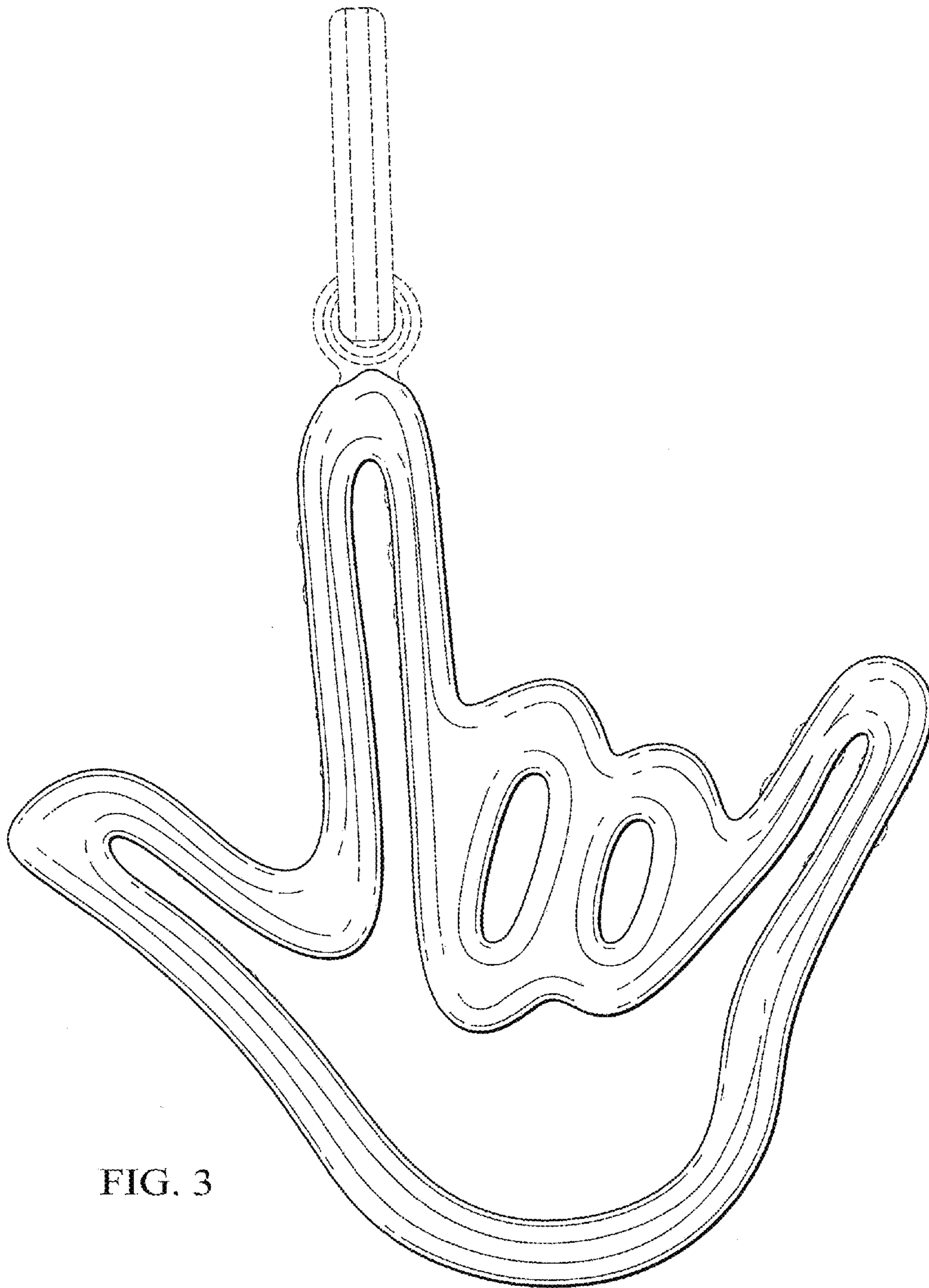


FIG. 3

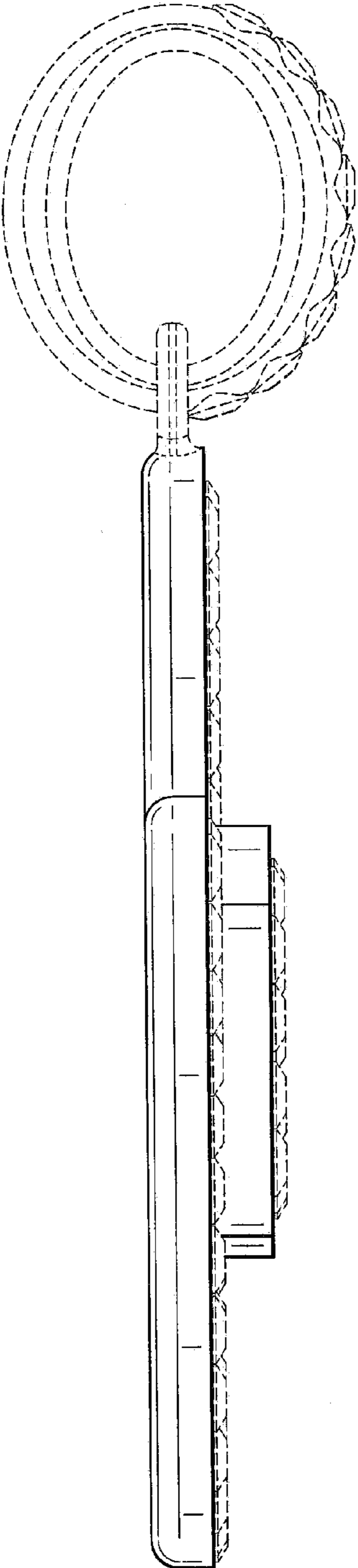


FIG. 4

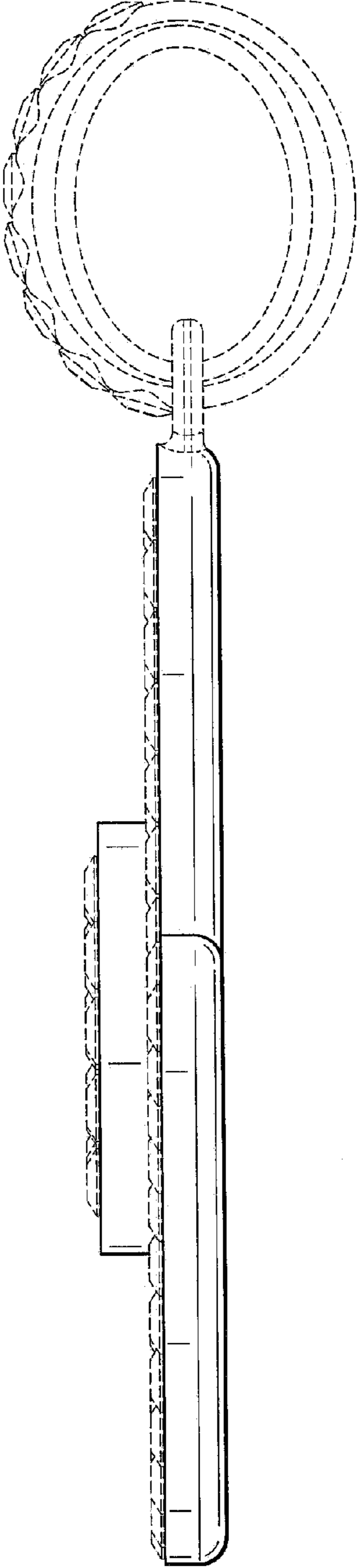


FIG. 5

