



US00D779367S

(12) **United States Design Patent** (10) **Patent No.:** **US D779,367 S**  
**Rose** (45) **Date of Patent:** **\*\* Feb. 21, 2017**

(54) **FOUR-SIDED RING**  
(71) Applicant: **Roseark Inc.**, West Hollywood, CA (US)  
(72) Inventor: **Rick Rose**, West Hollywood, CA (US)  
(73) Assignee: **Roseark Inc.**, West Hollywood, CA (US)  
(\*\*) Term: **15 Years**  
(21) Appl. No.: **29/538,321**  
(22) Filed: **Sep. 2, 2015**  
(51) **LOC (10) Cl.** ..... **11-01**  
(52) **U.S. Cl.**  
USPC ..... **D11/26**  
(58) **Field of Classification Search**  
USPC .... D11/3-5, 26-43, 45, 79, 89-92; D7/633;  
D8/354, 356, 397, 399  
CPC ..... A44C 5/00; A44C 7/00; A44C 7/002;  
A44C 7/004; A44C 9/00; A44C 9/0007;  
A44C 9/0015; A44C 9/0023; A44C 9/003;  
A44C 9/0038; A44C 9/0046; A44C  
9/0053; A44C 9/0061; A44C  
9/0069; A44C 9/0076; A44C  
15/001; A44C 17/02; A44C 17/0208;  
A44C 17/0216; A44C 17/0225; A44C  
17/0233; A44C 17/0241; A44C 17/025;  
A44C 17/0258  
See application file for complete search history.

(56) **References Cited**  
U.S. PATENT DOCUMENTS  
D59,314 S \* 10/1921 Winsen ..... D11/38  
D61,982 S \* 2/1923 Lapidus ..... 63/3  
D64,849 S \* 6/1924 Granat ..... 63/15

D67,567 S \* 6/1925 Alterton ..... 63/15  
1,687,020 A \* 10/1928 Herzog ..... A44C 9/00  
63/15  
D230,254 S \* 2/1974 Smith ..... D8/399  
D285,543 S \* 9/1986 Moser ..... D10/32  
D300,731 S \* 4/1989 Flinchbaugh ..... D11/26  
D492,216 S \* 6/2004 Schubach ..... D11/26  
D526,885 S \* 8/2006 Kelleghan ..... D8/356  
D556,194 S \* 11/2007 Rambossek ..... D11/2  
D643,428 S \* 8/2011 Janky ..... D14/240  
D669,811 S \* 10/2012 Hustik ..... D11/26  
D710,740 S \* 8/2014 Schmidt ..... D11/26  
D714,179 S \* 9/2014 Park ..... D11/3  
D747,659 S \* 1/2016 Coin ..... D11/3  
D754,356 S \* 4/2016 Lee ..... D11/3  
D766,234 S \* 9/2016 Francis ..... D11/4  
D767,565 S \* 9/2016 Francis ..... D11/4  
2005/0126224 A1 \* 6/2005 Miley ..... A44C 9/00  
63/15

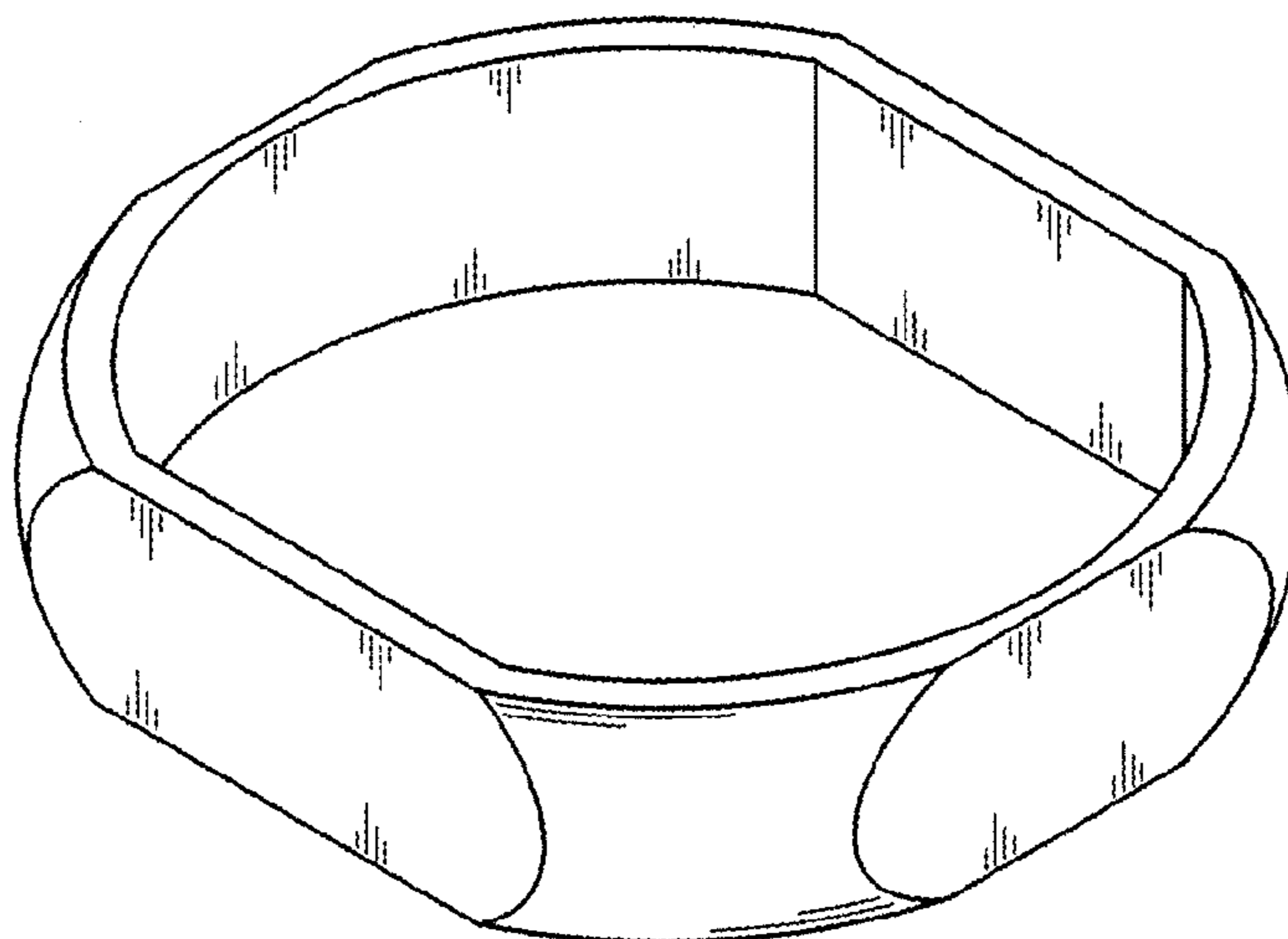
\* cited by examiner

*Primary Examiner* — Karen S Acker  
*Assistant Examiner* — Wendy Arminio  
(74) *Attorney, Agent, or Firm* — Kristin Mazany Nevins;  
Offit Kurman, P.A.

(57) **CLAIM**  
The ornamental design for a four-sided ring, as shown and described.

**DESCRIPTION**  
FIG. 1 is a side isometric view of a four-sided ring;  
FIG. 2 is a front elevation view thereof;  
FIG. 3 is a rear elevation view thereof;  
FIG. 4 is a left side elevation view thereof;  
FIG. 5 is a right side elevation view thereof;  
FIG. 6 is a top view thereof; and,  
FIG. 7 is a bottom view thereof.

**1 Claim, 3 Drawing Sheets**



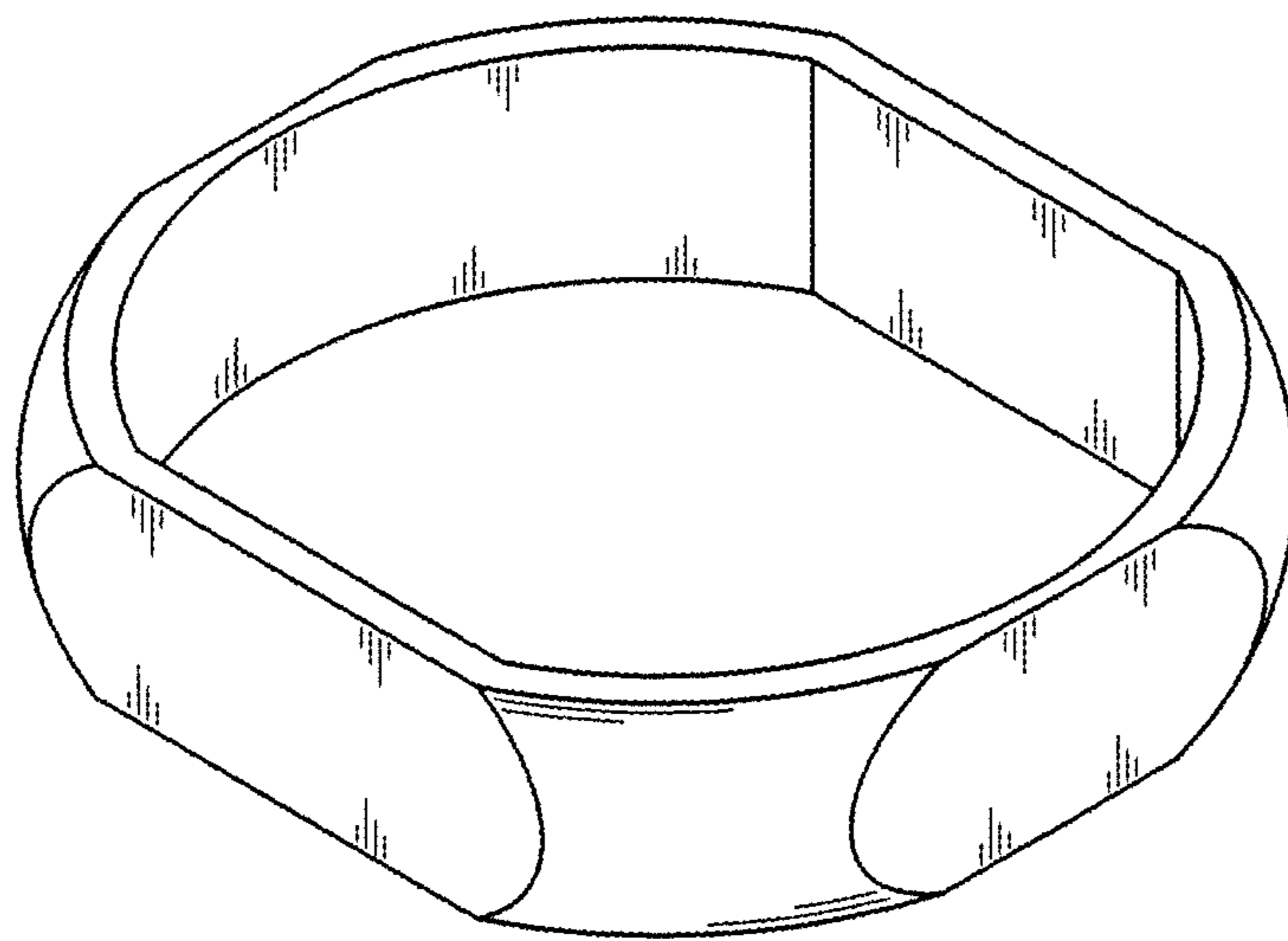


FIG. 1

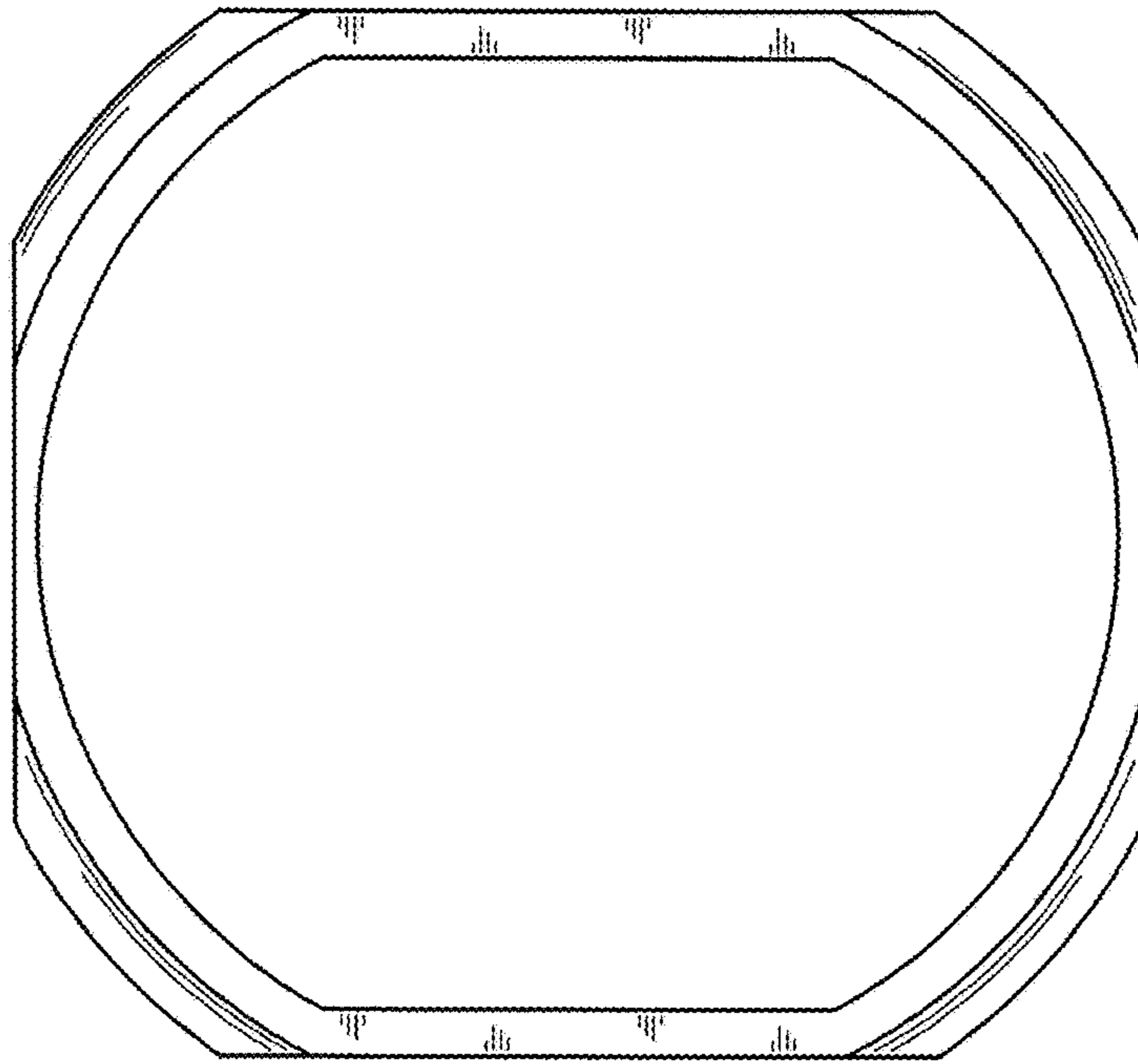


FIG. 2

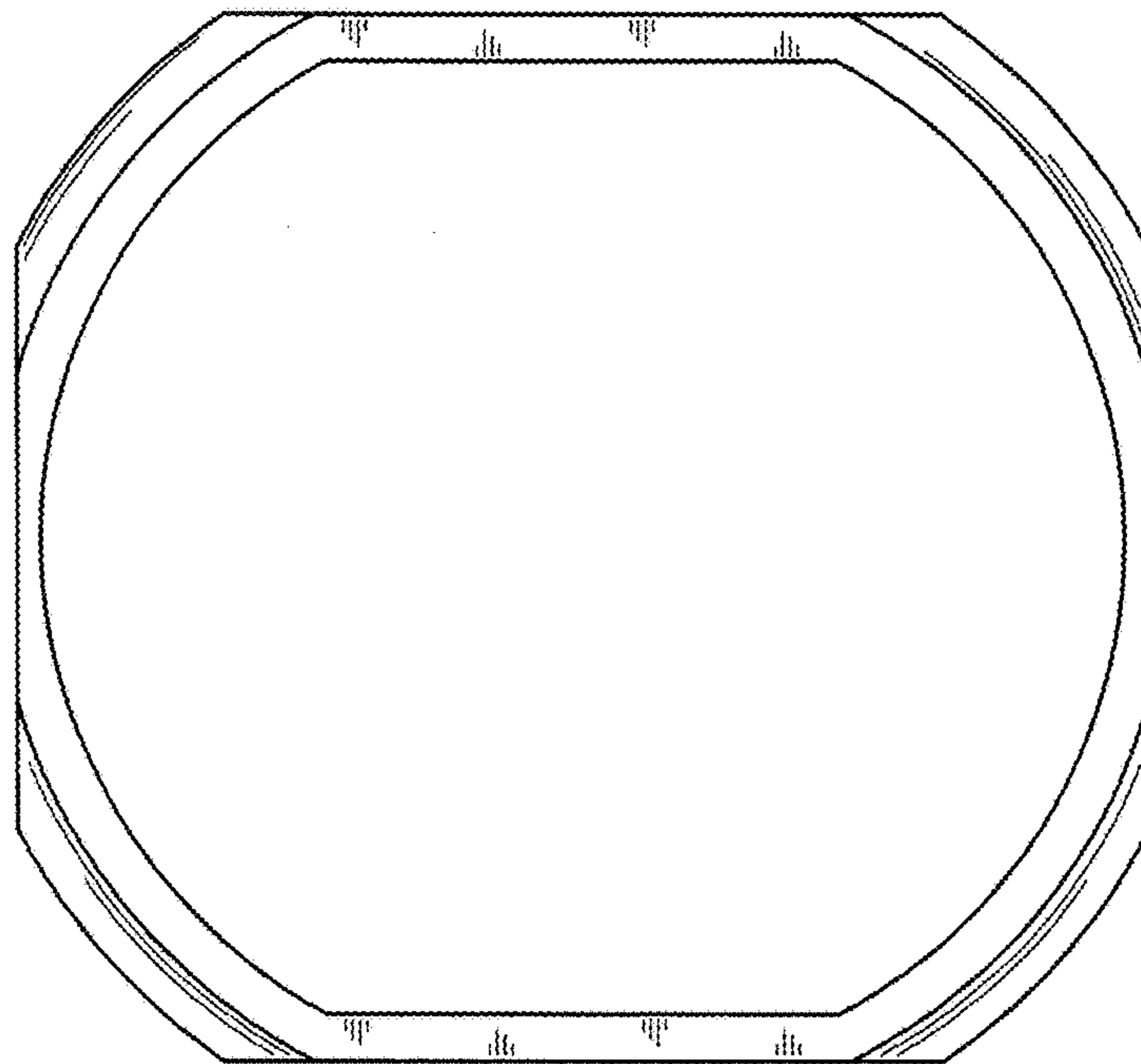


FIG. 3

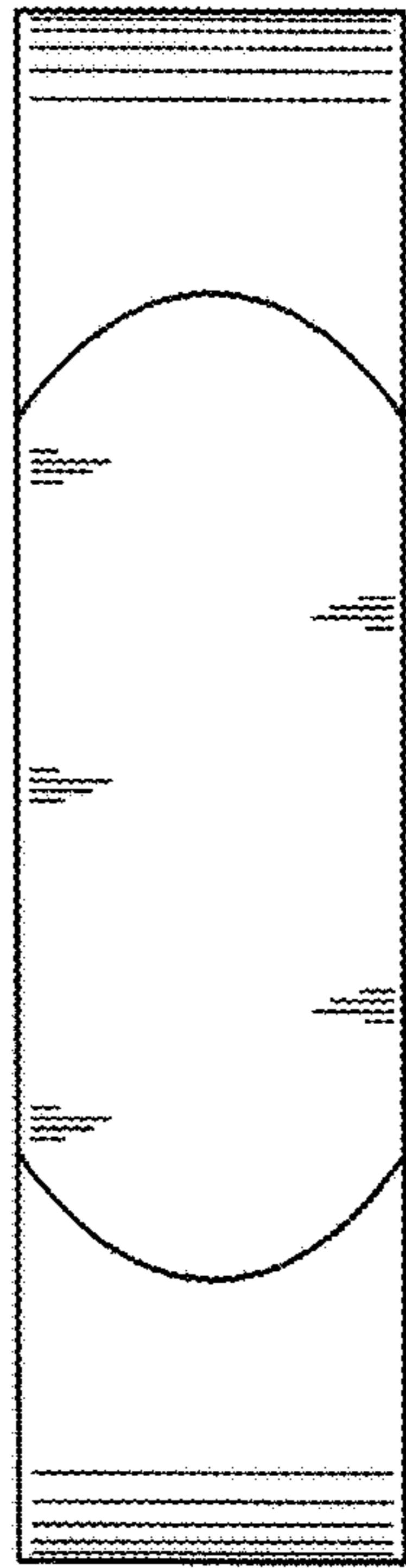


FIG. 4

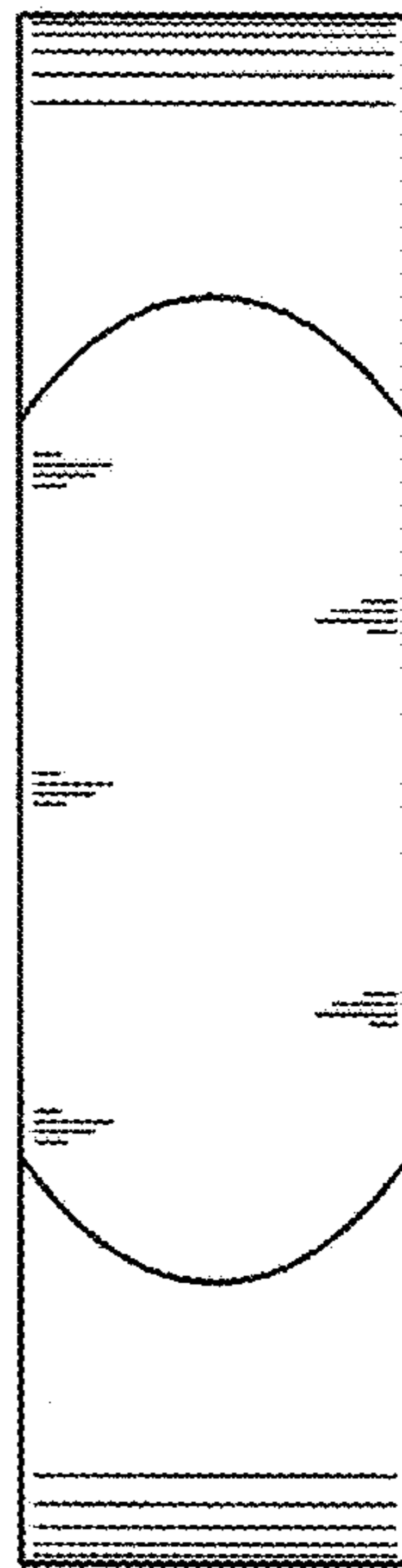


FIG. 5

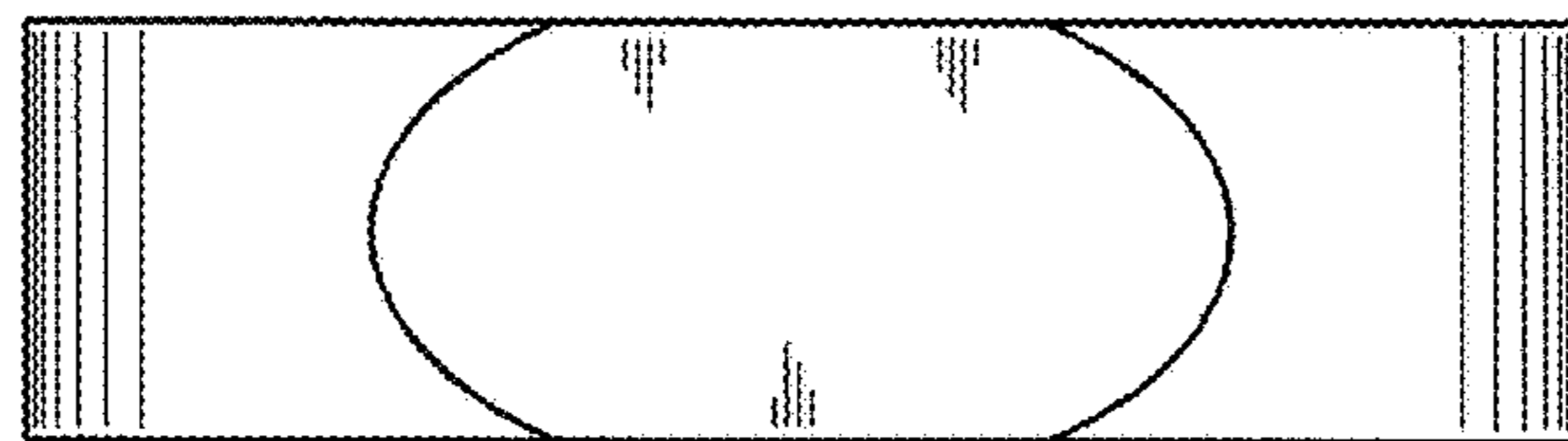


FIG. 6

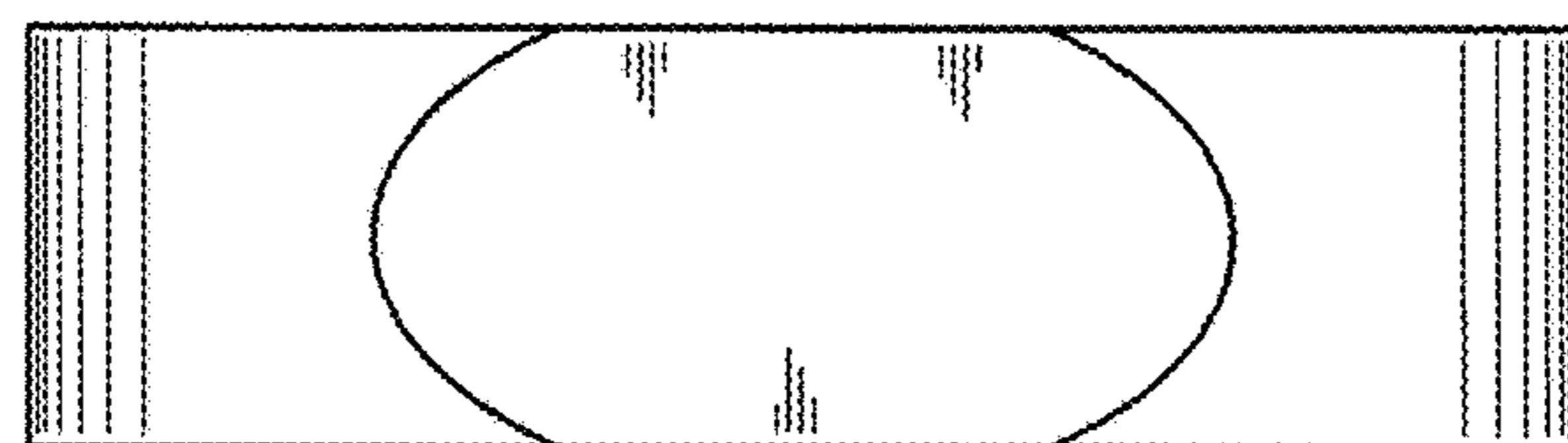


FIG. 7