



US00D779364S

(12) **United States Design Patent** (10) **Patent No.:** **US D779,364 S**
Mille (45) **Date of Patent:** **** Feb. 21, 2017**

(54) **WATCH BRACELET**
(71) Applicant: **Turlen Holding SA**, Soyhières (CH)
(72) Inventor: **Richard Mille**, Moulins (FR)
(73) Assignee: **TURLEN HOLDING SA**, Soyhieres (CH)
(**) Term: **15 Years**

D139,740 S * 12/1944 Adler D11/12
D172,122 S * 5/1954 Armbrust D11/13
D265,635 S * 8/1982 Barr D11/15
D330,174 S * 10/1992 Bichi D11/13
D376,333 S * 12/1996 Rozenwasser D11/15
D433,640 S * 11/2000 Iwanaga D10/32
D540,696 S * 4/2007 Mouclier D10/32
D544,802 S * 6/2007 Mouclier D10/32
D556,079 S * 11/2007 Mouclier D11/26
D620,813 S * 8/2010 Hayek D10/32
D637,100 S * 5/2011 Hayek D11/3

(21) Appl. No.: **29/530,636**
(22) Filed: **Jun. 18, 2015**

OTHER PUBLICATIONS

[Online] "Richard Mille Open Link Strap." <http://www.watchpro.com/wp-content/uploads/2015/10/Richard%20Mille%20OPEN-LINK-STRAP.jpg>. Posted online Oct. 2015. Retrieved Sep. 4, 2016.*

(30) **Foreign Application Priority Data**

Dec. 18, 2014 (WO) DM/085212

(Continued)

(51) **LOC (10) Cl.** **11-01**
(52) **U.S. Cl.**

Primary Examiner — Melanie Pellegrini
(74) *Attorney, Agent, or Firm* — Donal J. Ranft; Collen IP

USPC **D11/18**

(58) **Field of Classification Search**

(57) **CLAIM**
The ornamental design for a watch bracelet, as shown.

USPC D11/1-27, 39, 86; D10/32, 38, 128
CPC A44C 5/00; A44C 5/0007; A44C 5/0015;
A44C 5/0023; A44C 5/0053; A44C 5/0061;
A44C 5/0069; A44C 5/0076; A44C 5/0084;
A44C 5/0092; A44C 5/12; A44C 5/14;
A44C 5/18; A44C 5/185; A44C 5/02; A44C
5/107; G04B 19/00; G04B 19/18; G04B
19/28; G04B 19/283; G04B 37/00; G04B
37/0008; G04B 37/0058

DESCRIPTION

See application file for complete search history.

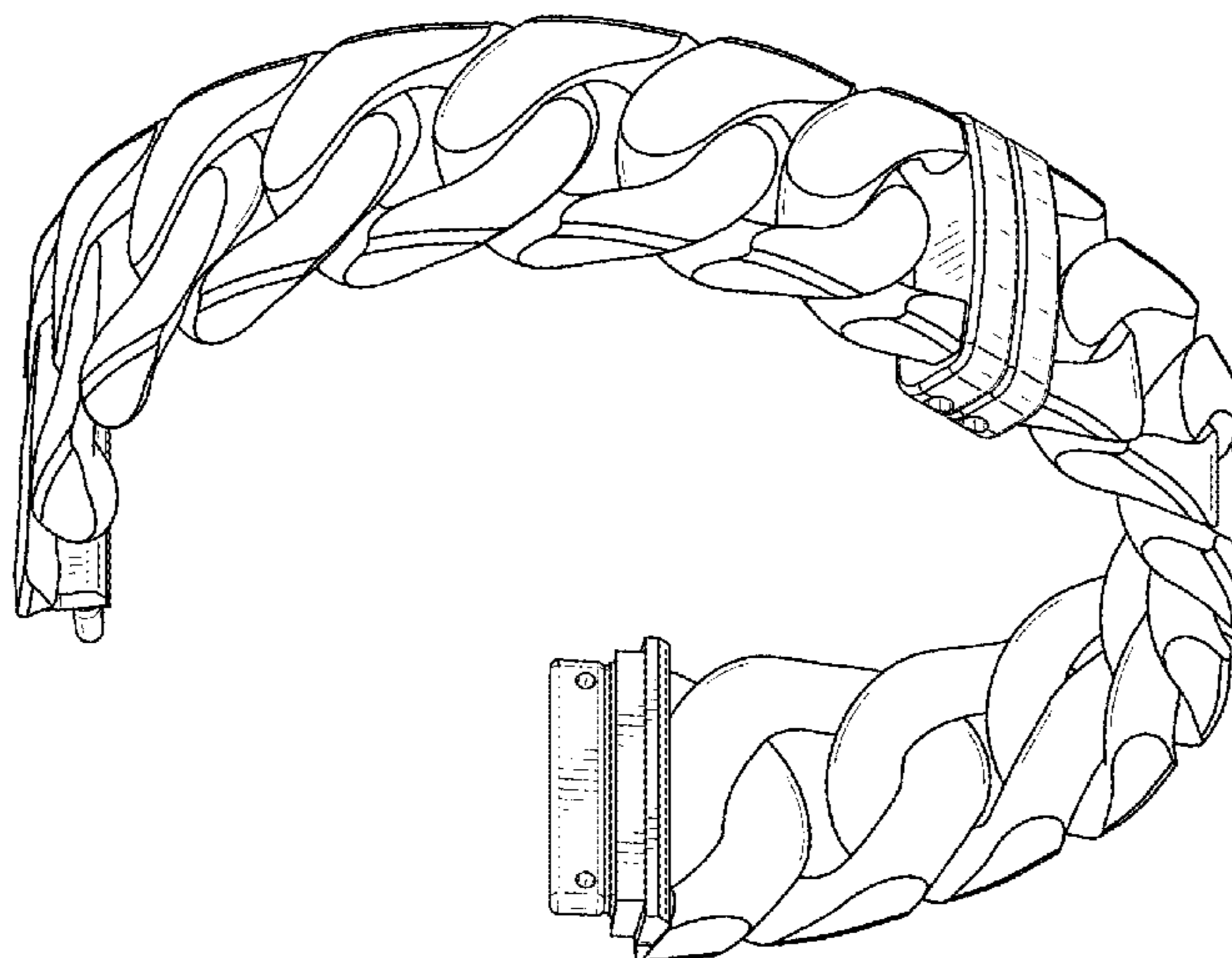
FIG. 1 is a bottom, front and right perspective view of a watch bracelet showing my new design;
FIG. 2 is a front left perspective view thereof;
FIG. 3 is a rear left perspective view thereof;
FIG. 4 is a rear right perspective view thereof;
FIG. 5 is a top view thereof;
FIG. 6 is a bottom view thereof;
FIG. 7 is a left side view thereof;
FIG. 8 is a right side view thereof;
FIG. 9 is a front view thereof; and,
FIG. 10 is a rear view thereof.

(56) **References Cited**

U.S. PATENT DOCUMENTS

1 Claim, 8 Drawing Sheets

145,160 A * 12/1873 Ellis A44C 5/14
2/338
D14,107 S * 7/1883 Smith D11/13
D27,734 S * 10/1897 Bigney D11/13
D44,556 S * 8/1913 Cunningham D11/13



(56)

References Cited

OTHER PUBLICATIONS

[Online] http://i704.photobucket.com/albums/ww45/andrh_ppro/RM_SIHH_2015/RM_SIHH15_-9_zpsgscng2gb.jpg. Retrieved Sep. 4, 2016.*

[Online] <http://cdn.silverwow.net/blog/wp-content/uploads/2014/02/biggest-mens-bracelet-40mm-wide6.jpg>. Retrieved Sep. 3, 2016.*

* cited by examiner

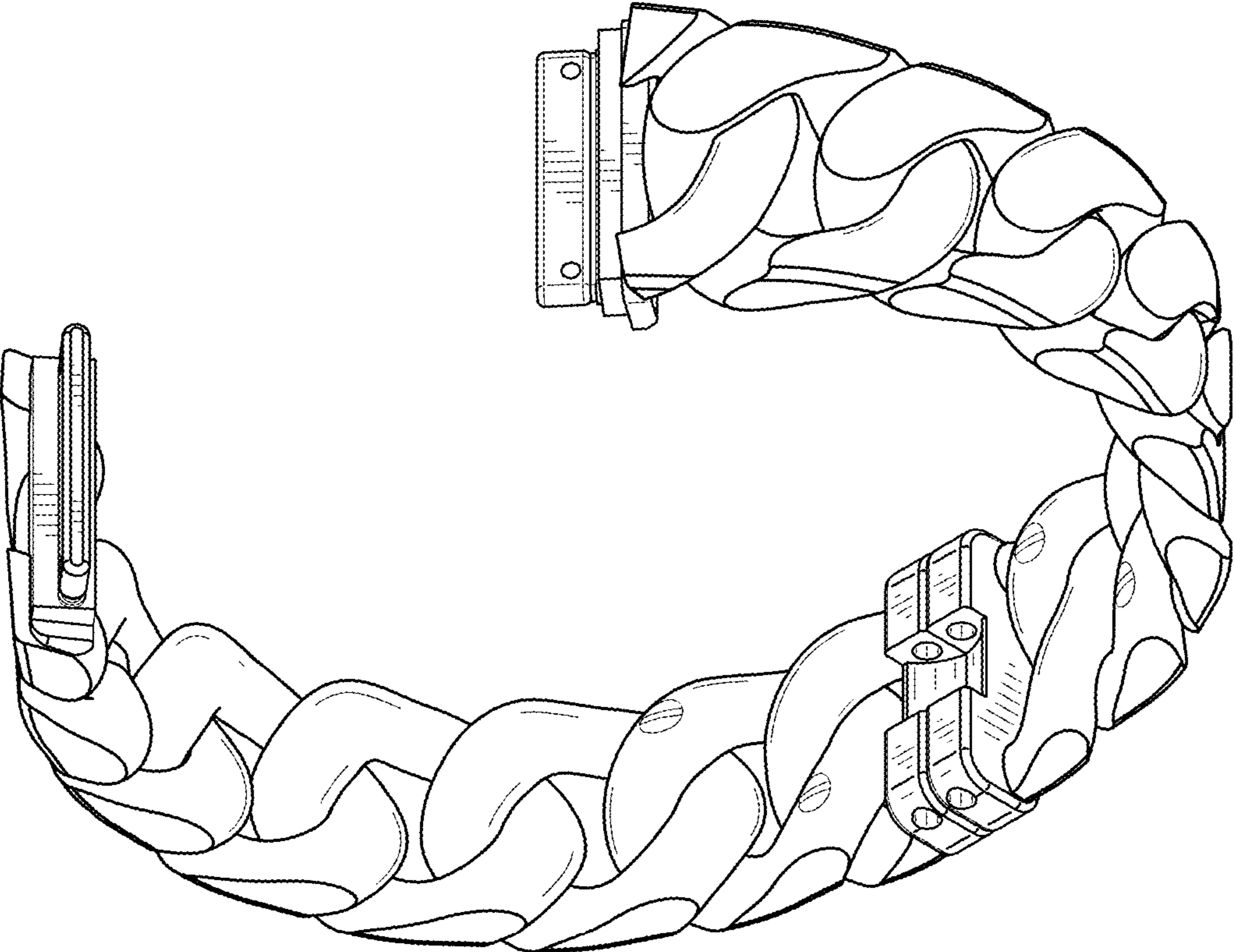


FIG. 1

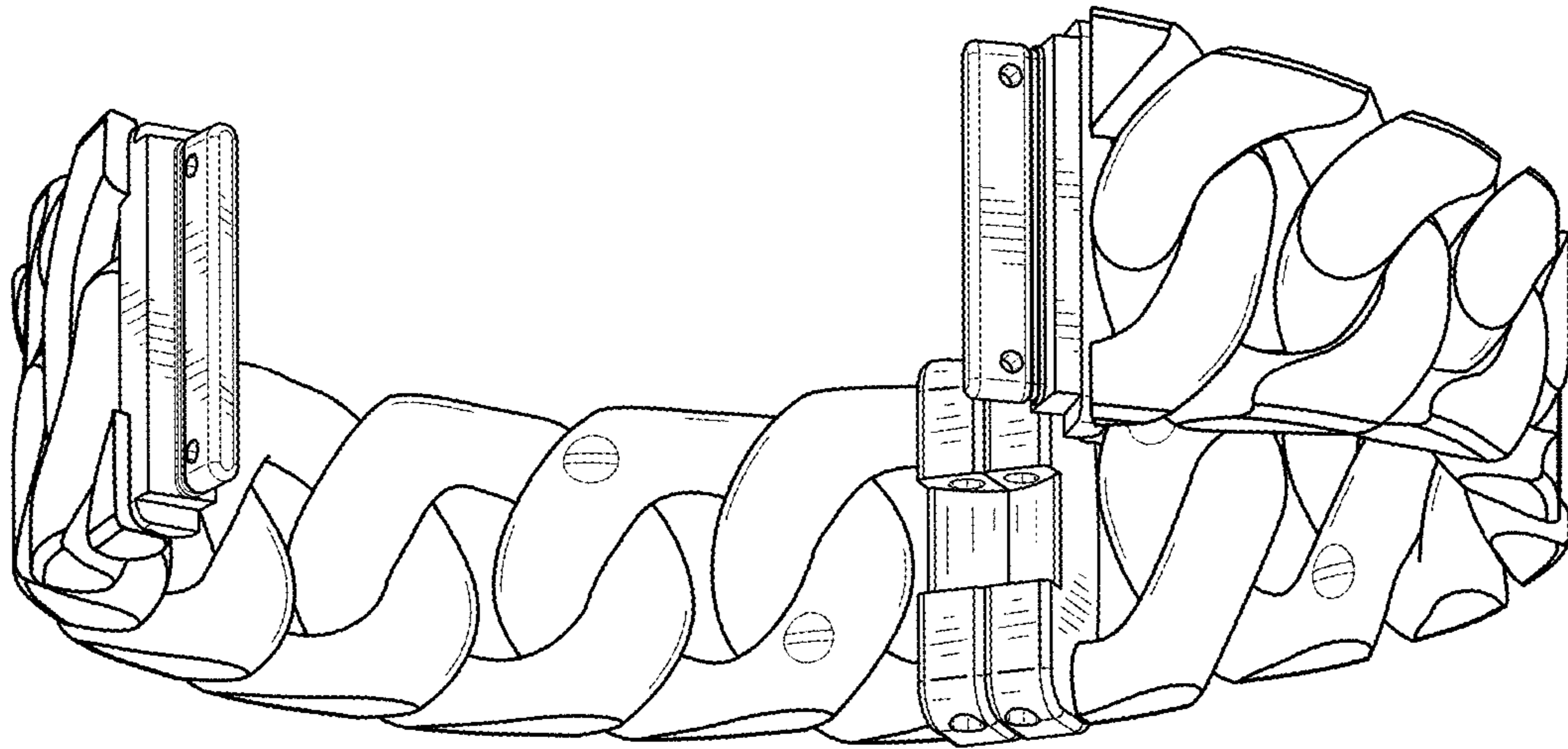


FIG. 2

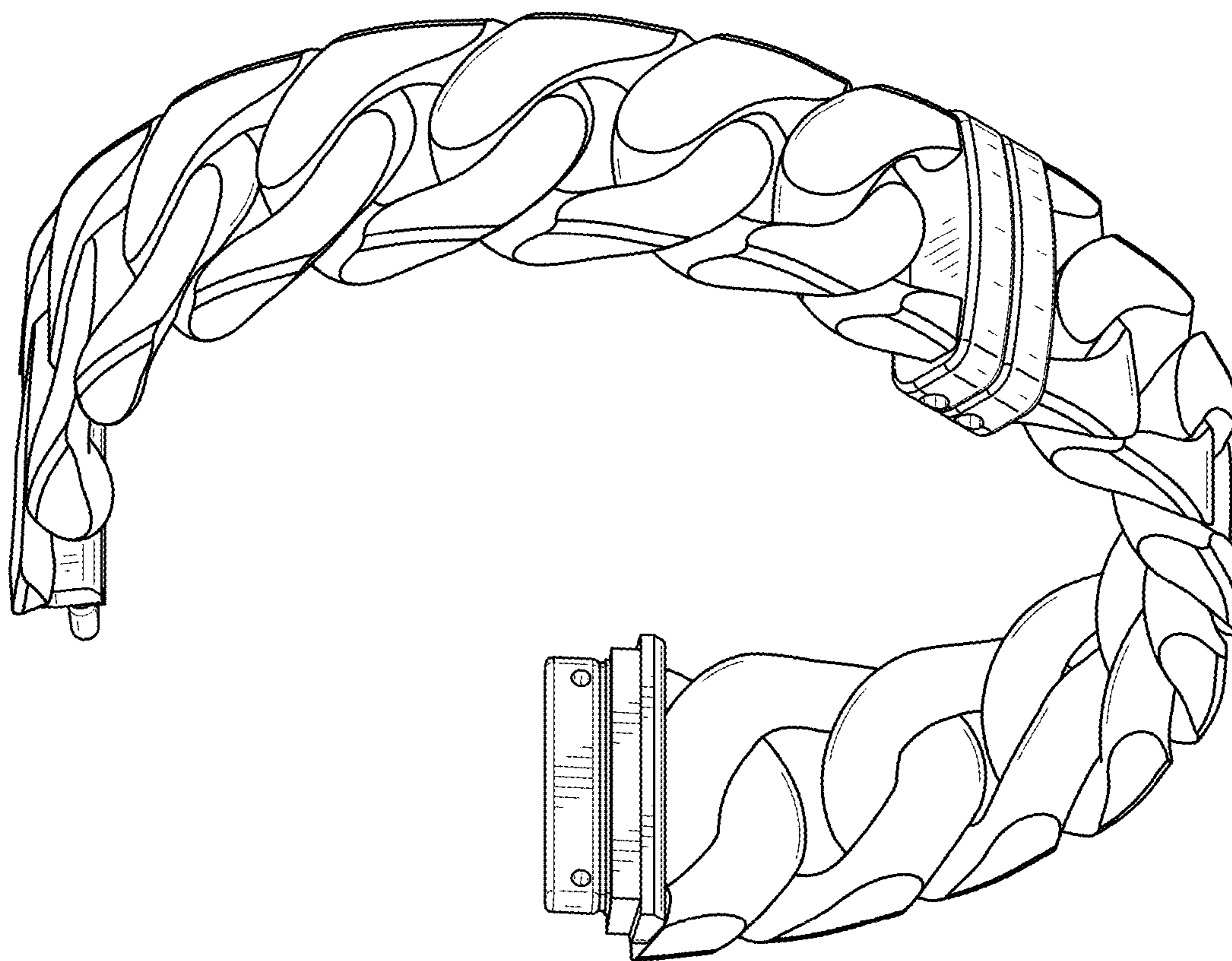


FIG. 3

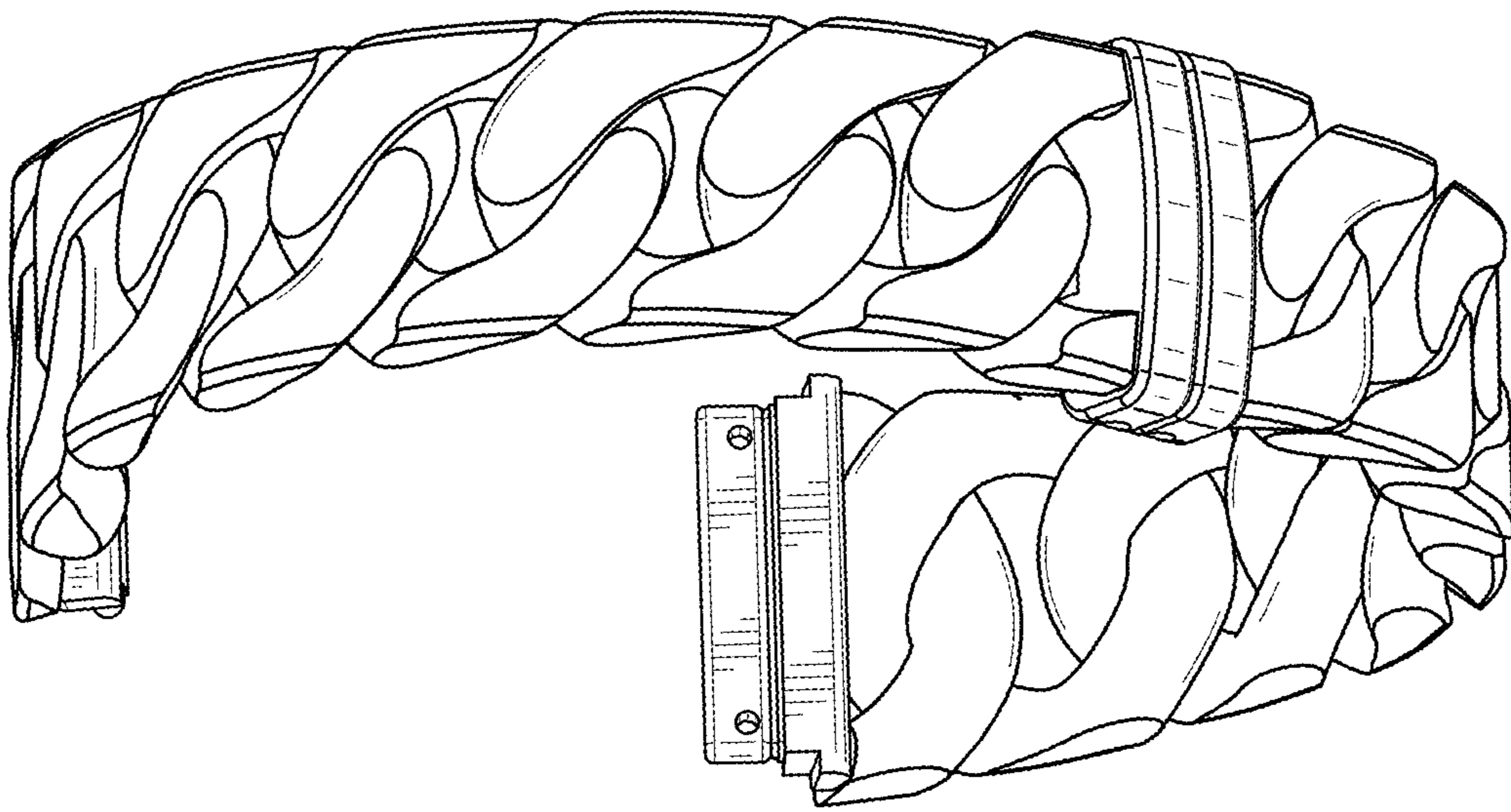


FIG. 4

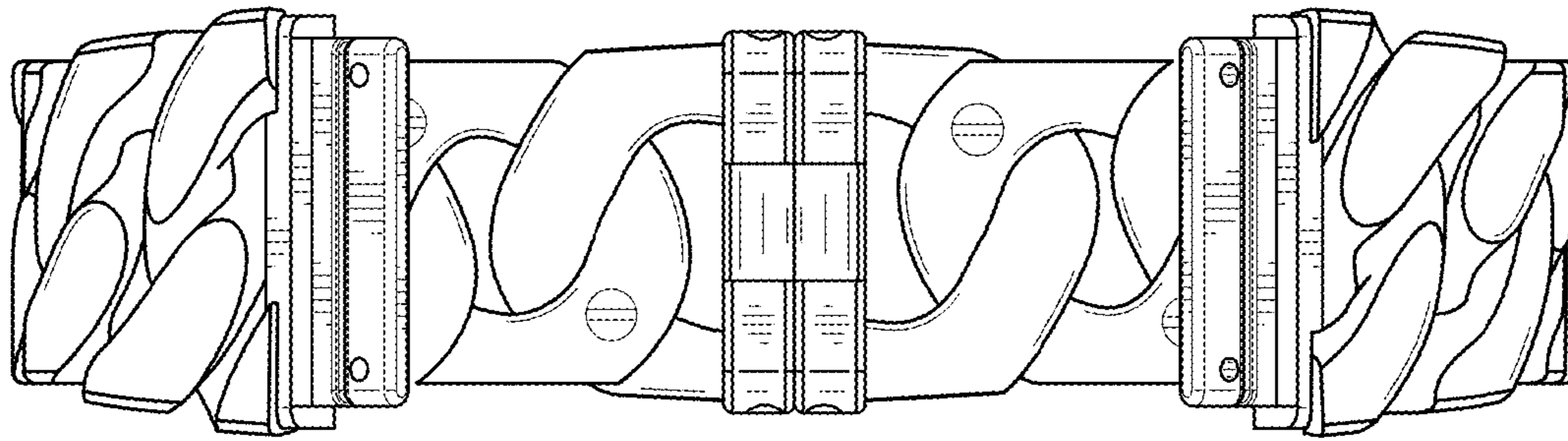


FIG. 5

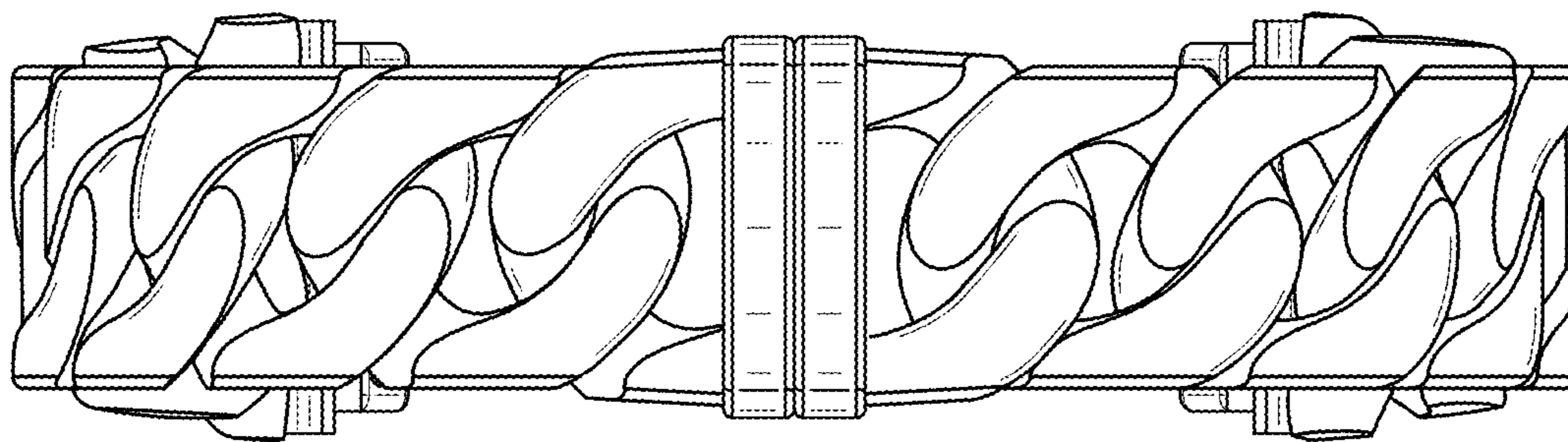


FIG. 6

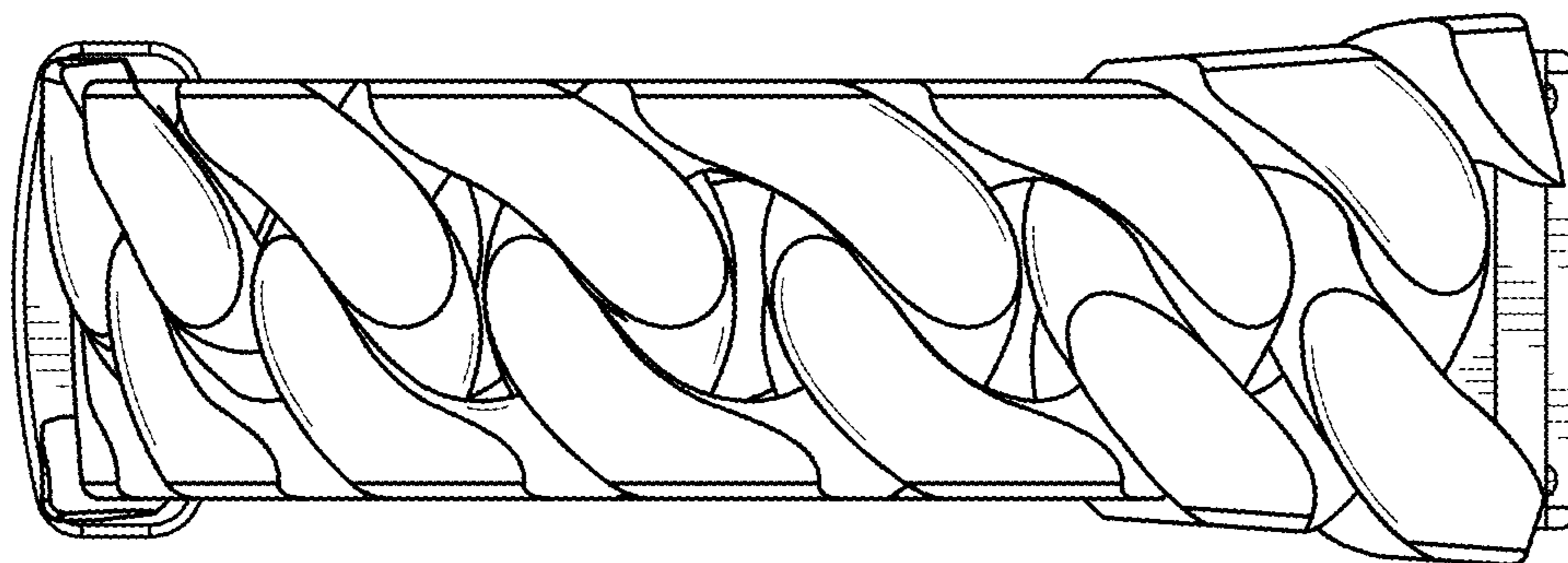


FIG. 7

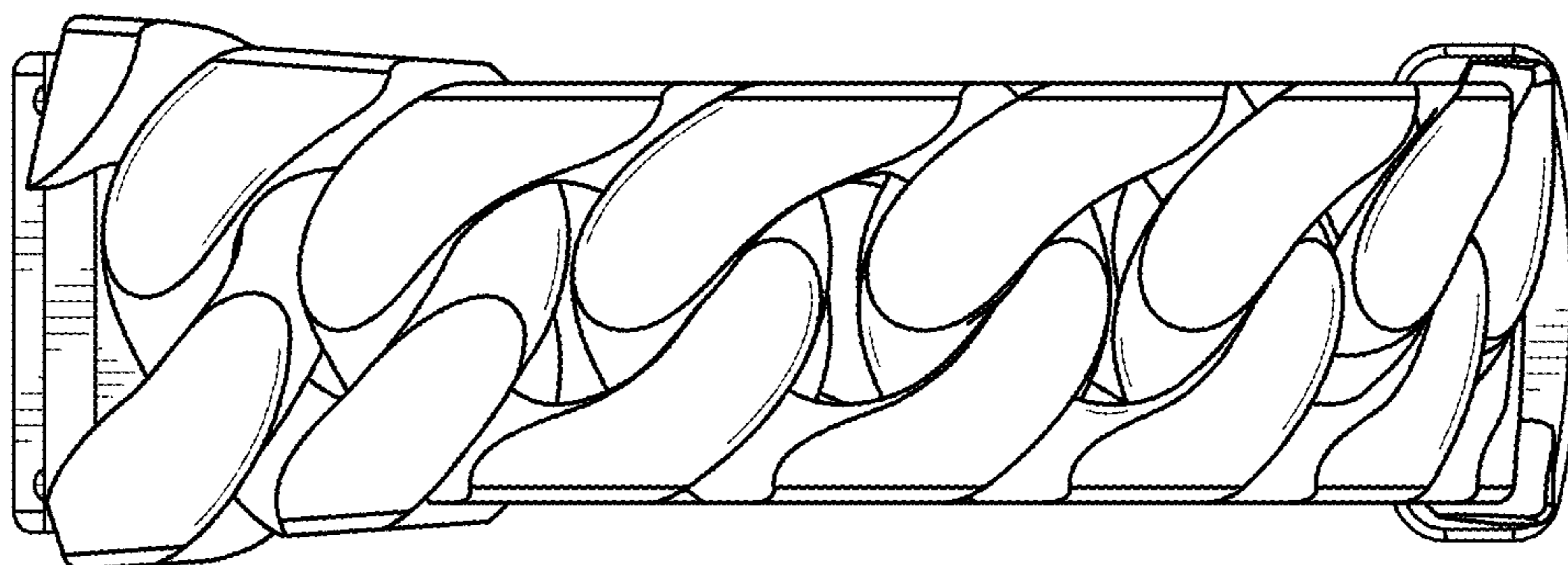


FIG. 8

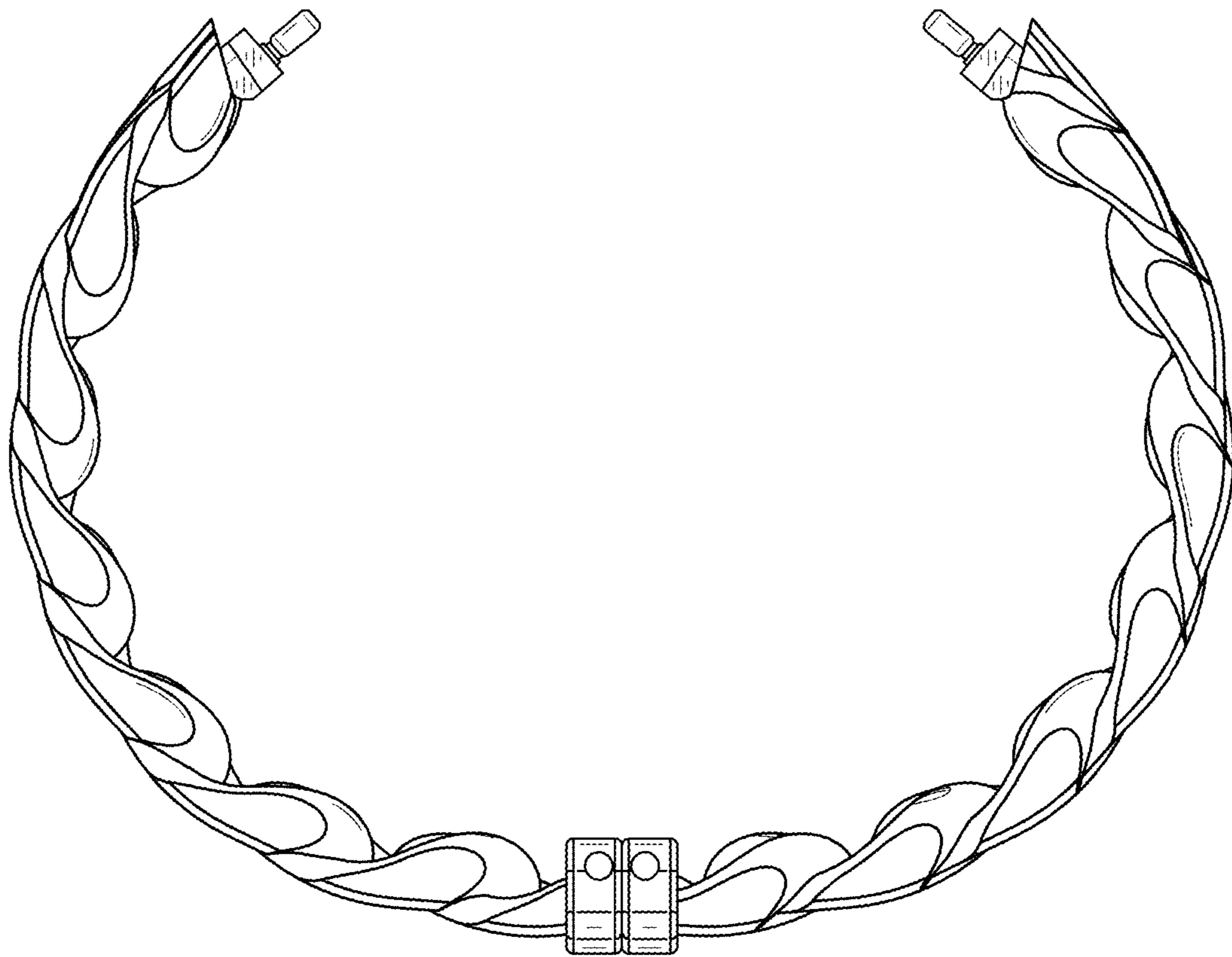


FIG. 9

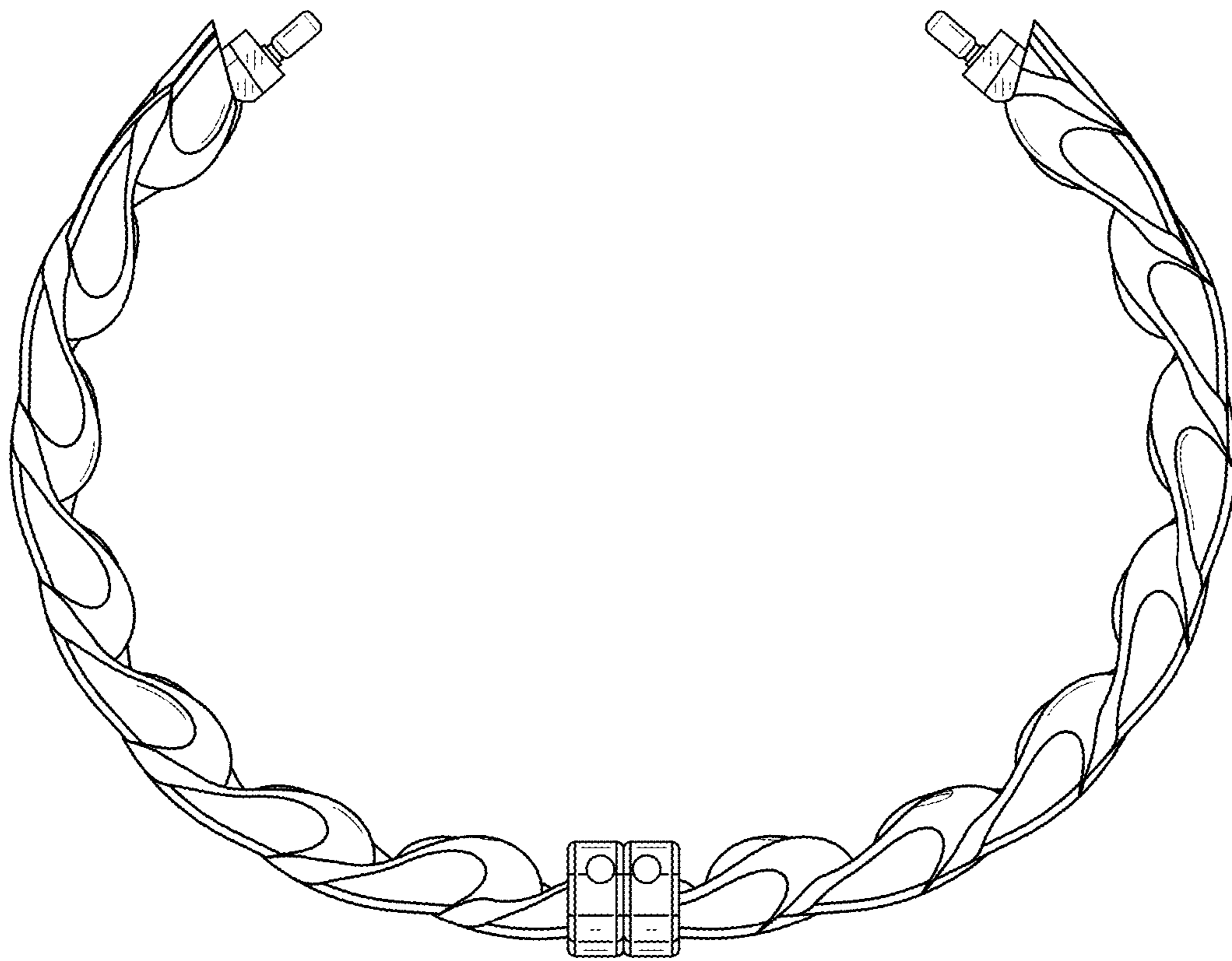


FIG. 10