



US00D779357S

(12) **United States Design Patent** (10) **Patent No.:** **US D779,357 S**  
**Aumiller et al.** (45) **Date of Patent:** **\*\* Feb. 21, 2017**

(54) **BAND FOR AN ELECTRONIC DEVICE**

- (71) Applicant: **Samsung Electronics Co., Ltd.**, Suwon-si (KR)
- (72) Inventors: **Curtis Aumiller**, San Jose, CA (US); **Pranav Mistry**, Cupertino, CA (US); **Chengyuan Wei**, Dalian (CN)
- (73) Assignee: **SAMSUNG ELECTRONICS CO., LTD.**, Suwon-si (KR)
- (\*\*) Term: **14 Years**

- (21) Appl. No.: **29/508,625**
- (22) Filed: **Nov. 7, 2014**

**Related U.S. Application Data**

- (63) Continuation-in-part of application No. 29/453,858, filed on May 3, 2013, now Pat. No. Des. 737,166, which is a continuation of application No. 29/449,607, filed on Mar. 15, 2013, now Pat. No. Des. 718,170.
- (51) **LOC (10) Cl.** ..... **11-01**
- (52) **U.S. Cl.**  
USPC ..... **D11/3**
- (58) **Field of Classification Search**  
USPC .... D11/1-26; D10/70, 98, 32, 38; D24/167; D14/344; D3/203.1, 215, 218, 201  
CPC ..... A44C 5/00; A44C 5/0007; A44C 5/0015; A44C 5/0023; A44C 5/003; A44C 5/0038; A44C 5/0053; A44C 5/0061; A44C 5/0069;

(Continued)

(56) **References Cited**

**U.S. PATENT DOCUMENTS**

- 1,752,128 A \* 3/1930 Vetter ..... G04B 37/04 368/282
- 2,137,835 A \* 11/1938 Dixon ..... A44C 9/00 63/15
- D243,318 S \* 2/1977 Kurihara ..... D10/32

(Continued)

**OTHER PUBLICATIONS**

[Online] "Samsung ET-SPR72 Wristband" [http://dice.bg/content/pics/26065\\_samsung-et-spr72-wristband-alexandro-mendini-design-edition-originalna-kojena-estestvena-koja-kaishka-za-galaxy-gear-2-cheren-sin\\_1389904201.jpg](http://dice.bg/content/pics/26065_samsung-et-spr72-wristband-alexandro-mendini-design-edition-originalna-kojena-estestvena-koja-kaishka-za-galaxy-gear-2-cheren-sin_1389904201.jpg). Retrieved Aug. 7, 2016.\*

(Continued)

*Primary Examiner* — Melanie Pellegrini

(74) *Attorney, Agent, or Firm* — McAndrews Held & Malloy, Ltd.

(57) **CLAIM**

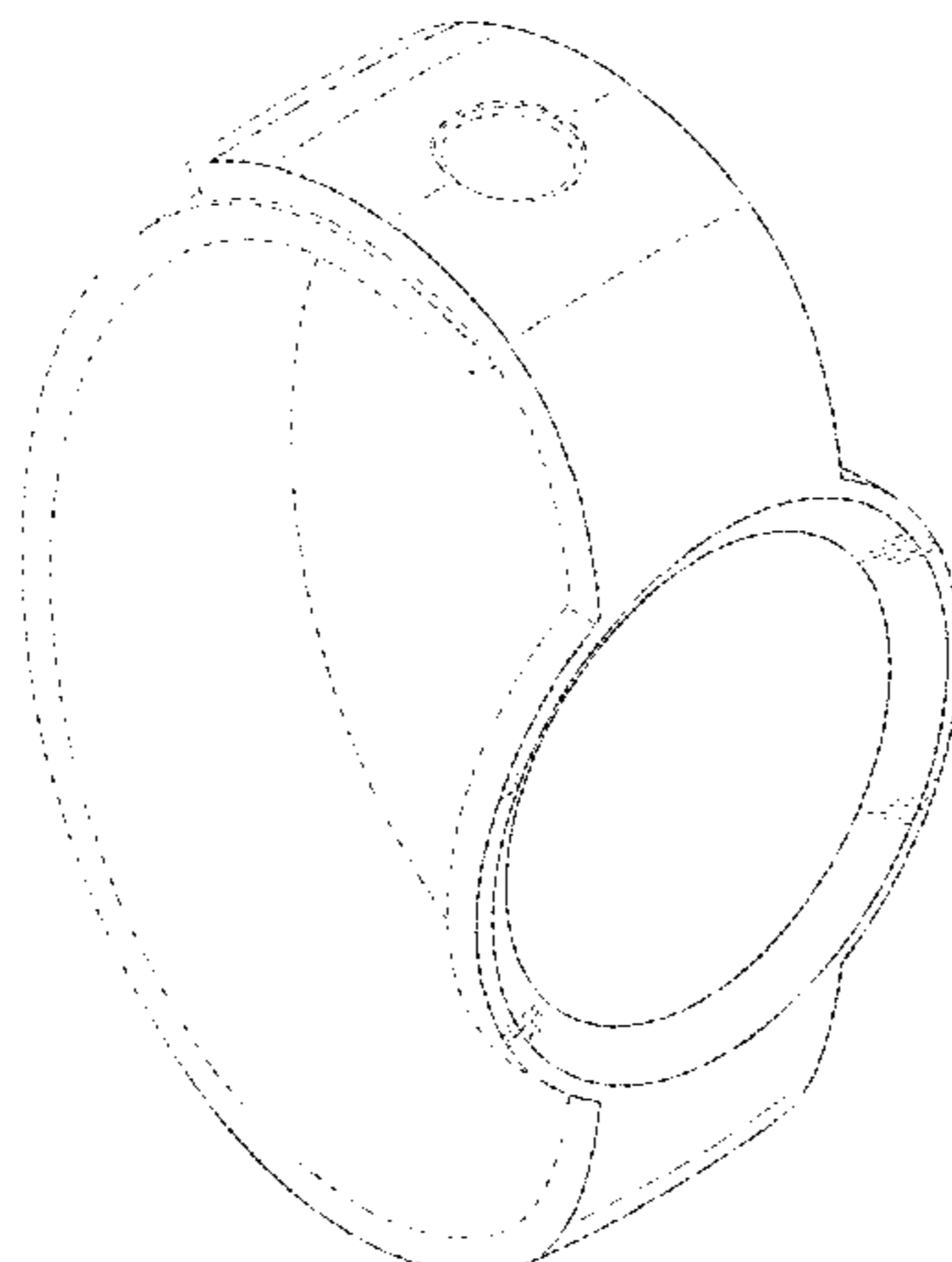
The ornamental design for a band for an electronic device, as shown and described.

**DESCRIPTION**

FIG. 1 is a top left front perspective view of a band for an electronic device showing our new design; FIG. 2 is a front elevation view thereof; FIG. 3 is a rear elevation view thereof; FIG. 4 is a left-side elevation view thereof; FIG. 5 is a right-side elevation view thereof; FIG. 6 is a top plan view thereof; FIG. 7 is a bottom plan view thereof; and, FIG. 8 is an additional top left front perspective view thereof showing the band for an electronic device along with an electronic device to illustrate environment.

The closely-spaced dashed broken lines illustrating an electronic device in FIG. 8 represent environment and form no part of the claimed design. The remaining dashed broken lines in the figures represent portions of the band for an electronic device that form no part of the claimed design. The dot-dash broken lines in the figures define the boundaries of the claimed design but form no part thereof.

**1 Claim, 4 Drawing Sheets**



(58) **Field of Classification Search**

CPC ... A44C 5/0076; A44C 5/0084; A44C 5/0092;  
A44C 5/20; A61B 5/02405

See application file for complete search history.

(56) **References Cited**

U.S. PATENT DOCUMENTS

4,060,185 A \* 11/1977 Kuroda ..... A44C 5/0092  
224/176  
4,473,304 A \* 9/1984 Ketner ..... G04B 45/00  
368/221  
4,958,279 A \* 9/1990 Proellochs ..... G04B 37/1486  
224/179  
D566,580 S \* 4/2008 Giorgio ..... D10/32  
D584,169 S \* 1/2009 Rabati ..... D10/32  
D603,276 S \* 11/2009 Herzog ..... D10/32  
D687,736 S \* 8/2013 Wycoff ..... D11/3  
D698,689 S \* 2/2014 Boyd ..... D11/4  
D709,873 S \* 7/2014 Aumiller ..... D14/344  
D718,170 S \* 11/2014 Aumiller ..... D10/32

D726,676 S \* 4/2015 Park ..... D10/38  
D729,674 S \* 5/2015 Behar ..... D10/103  
D729,675 S \* 5/2015 Behar ..... D10/103  
D729,681 S \* 5/2015 Lee ..... D11/3  
D737,166 S \* 8/2015 Aumiller ..... D11/3  
D738,772 S \* 9/2015 Choi ..... D11/3  
D758,907 S \* 6/2016 Kaiser ..... D11/2  
2009/0175135 A1 \* 7/2009 Moore ..... A44C 5/0053  
368/282  
2012/0087216 A1 \* 4/2012 Keung ..... A44C 5/0084  
368/282

OTHER PUBLICATIONS

[Online] "Samsung Wristband with Smart Charm." [http://dice.bg/content/pics/25636\\_samsung-wristband-smart-charm-ei-an920bb-umna-grivna-za-provejdane-na-razgovori-i-zapis-na-sportni-deinosti-za-samsung-ustroistva\\_1362400807.jpg](http://dice.bg/content/pics/25636_samsung-wristband-smart-charm-ei-an920bb-umna-grivna-za-provejdane-na-razgovori-i-zapis-na-sportni-deinosti-za-samsung-ustroistva_1362400807.jpg). Retrieved Jul. 7, 2016.\*

\* cited by examiner

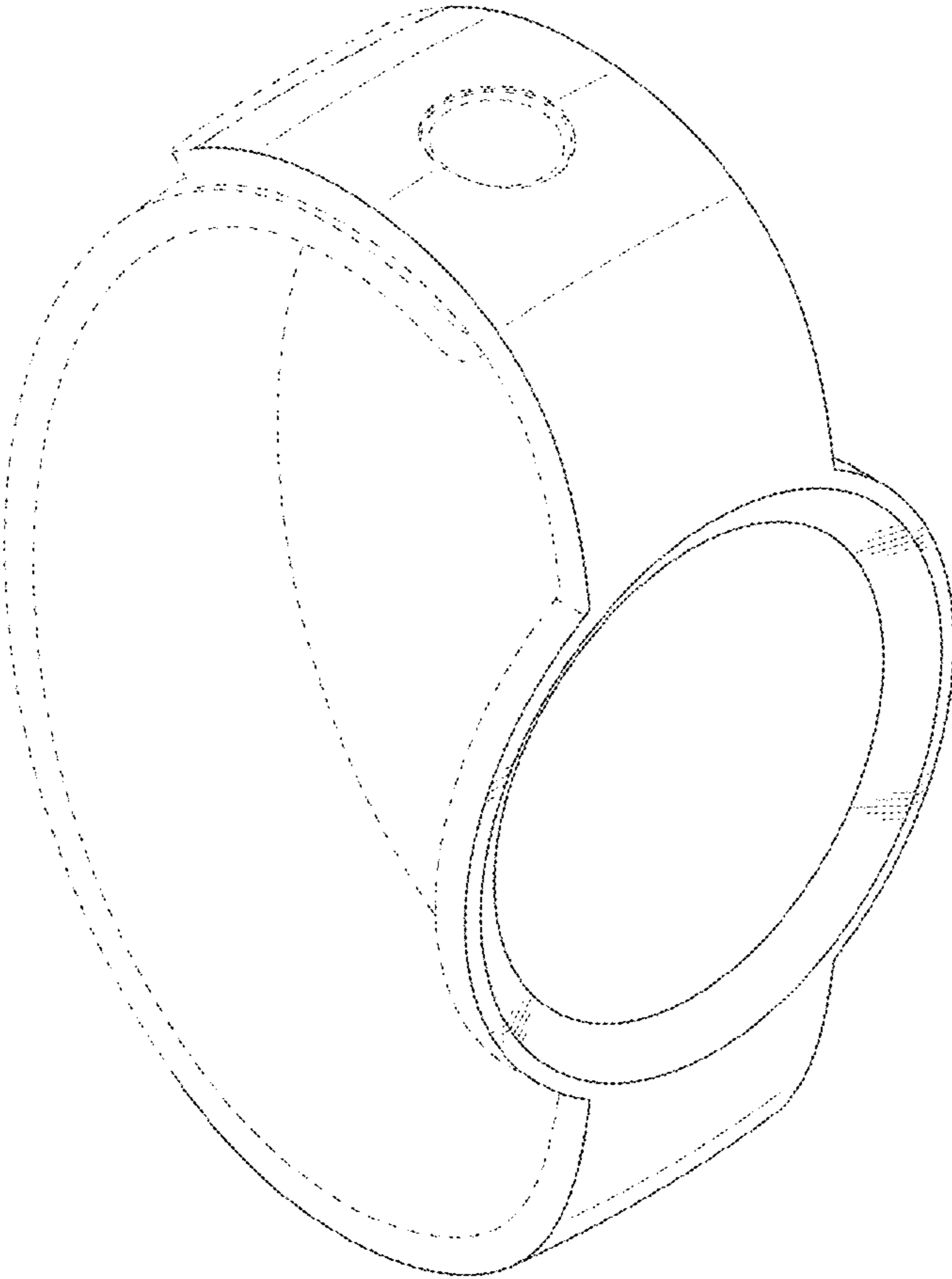


FIG.1

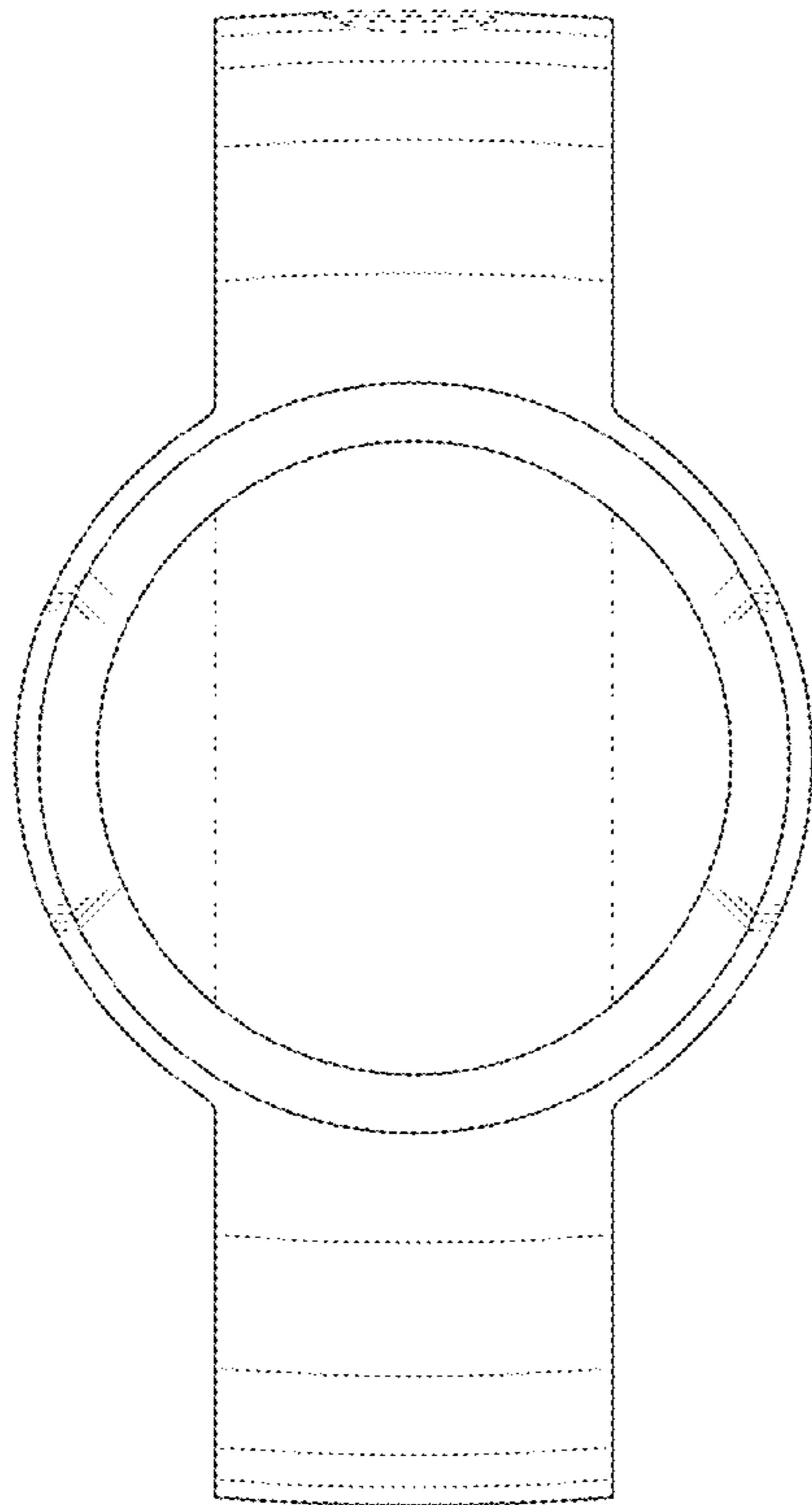


FIG. 2

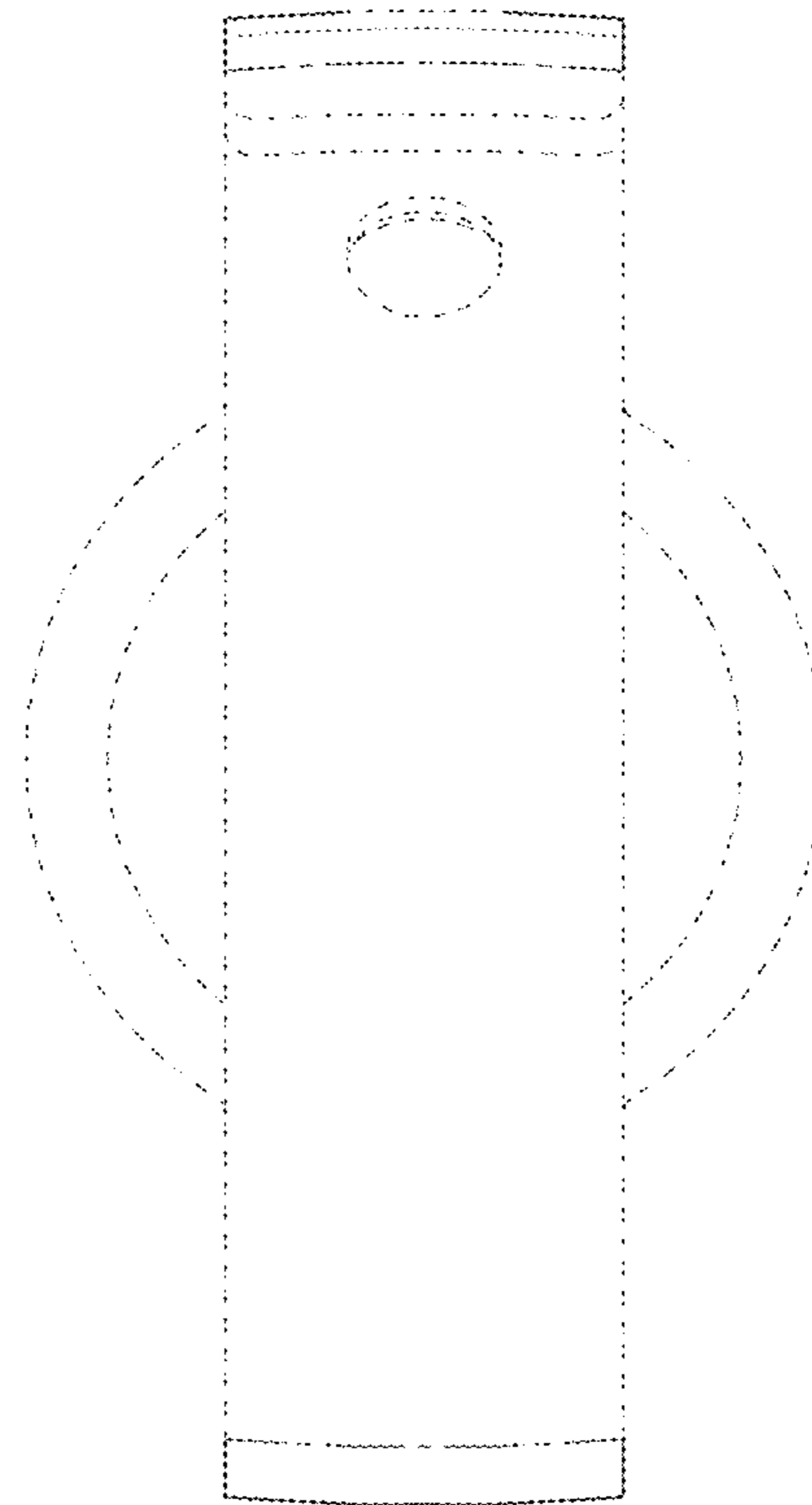


FIG. 3

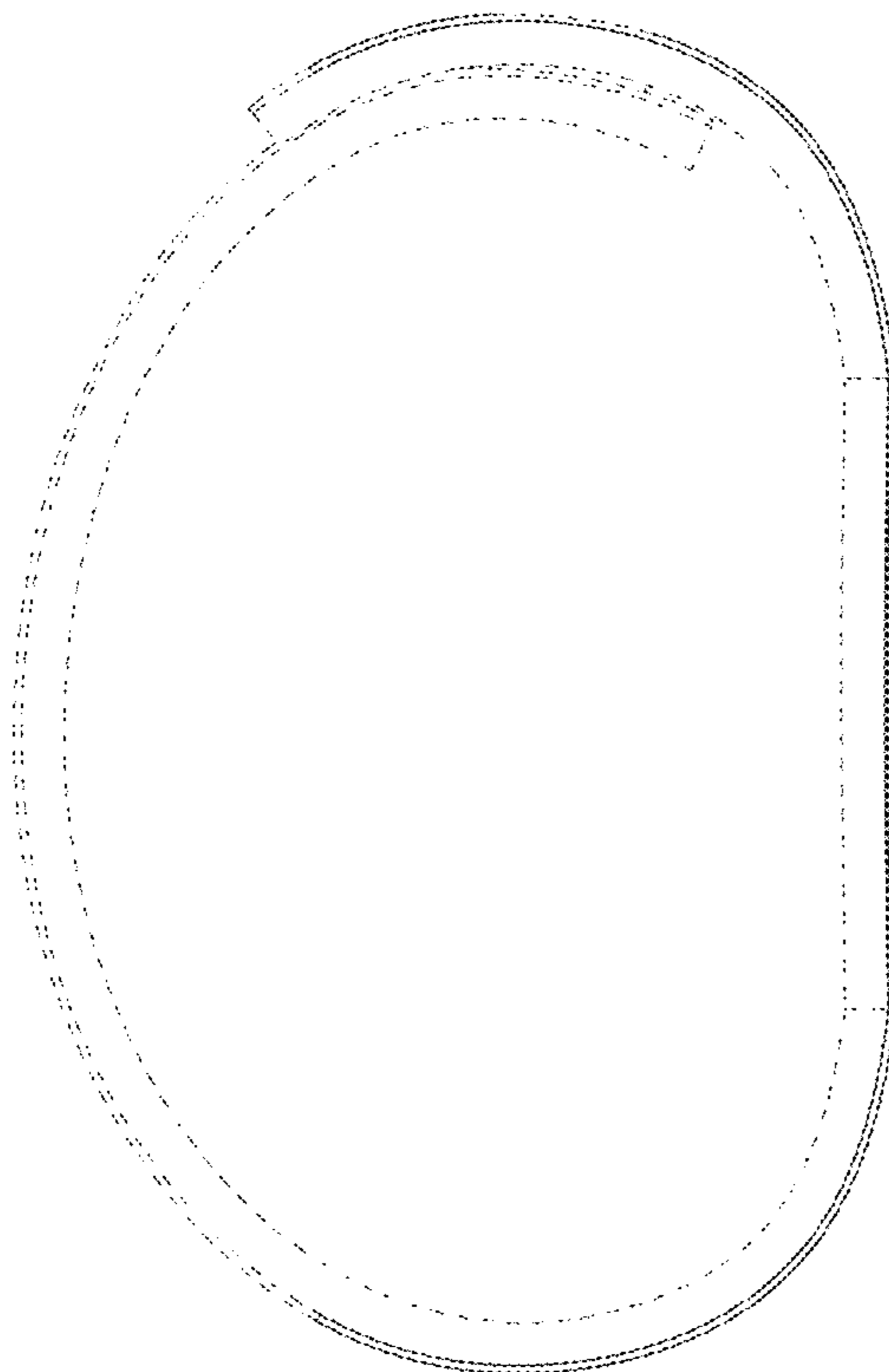


FIG. 4

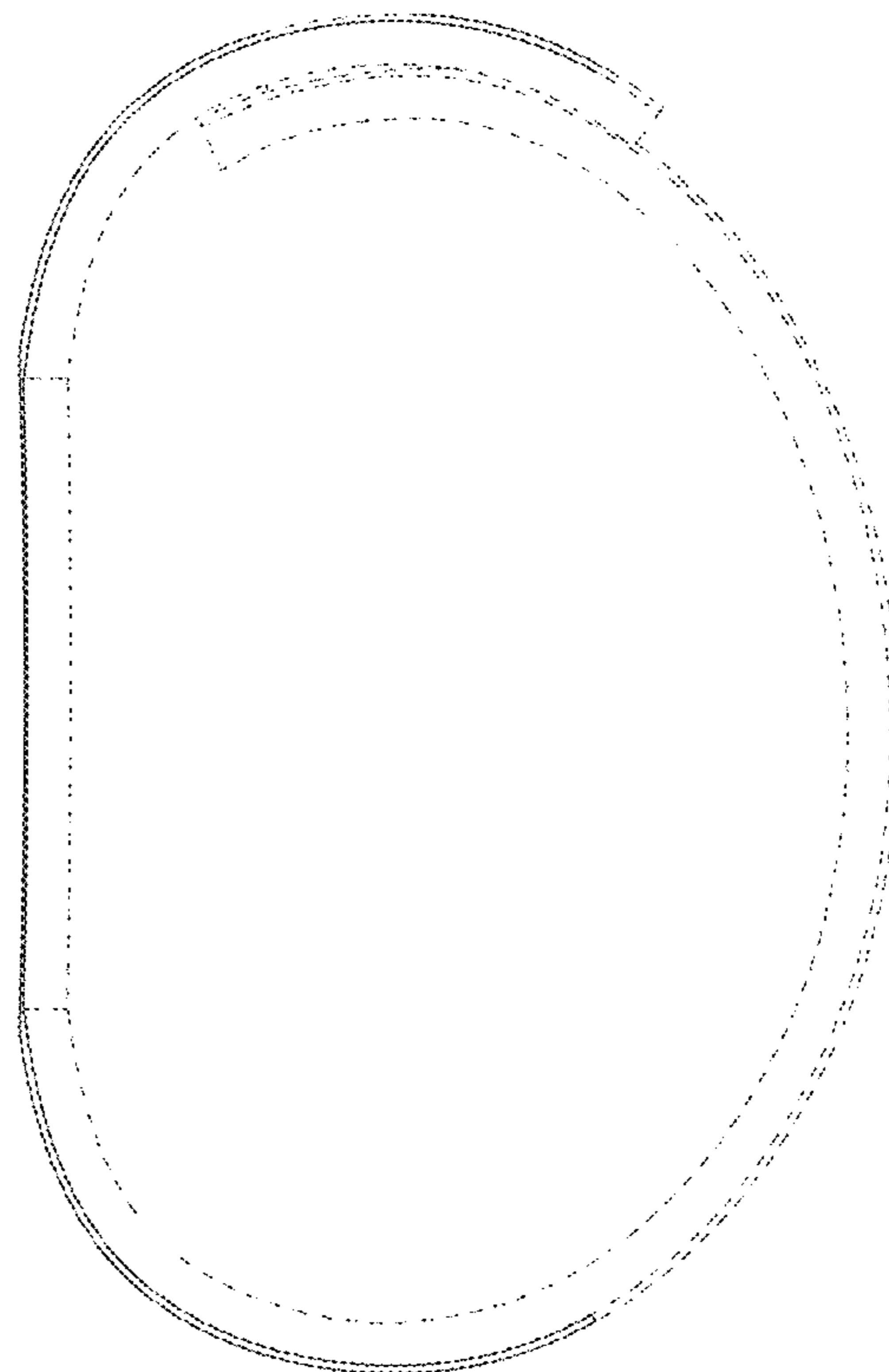


FIG. 5

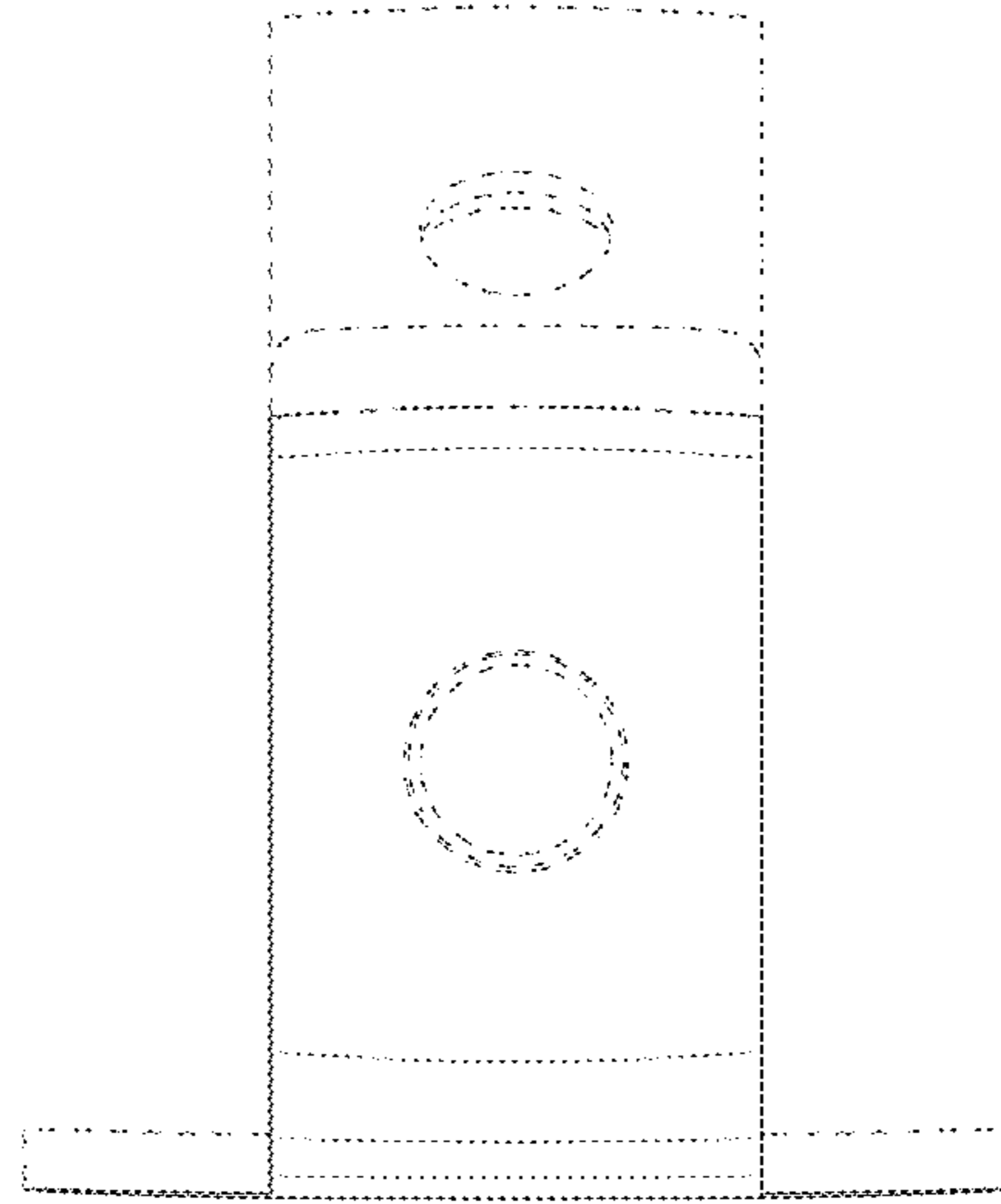


FIG. 6

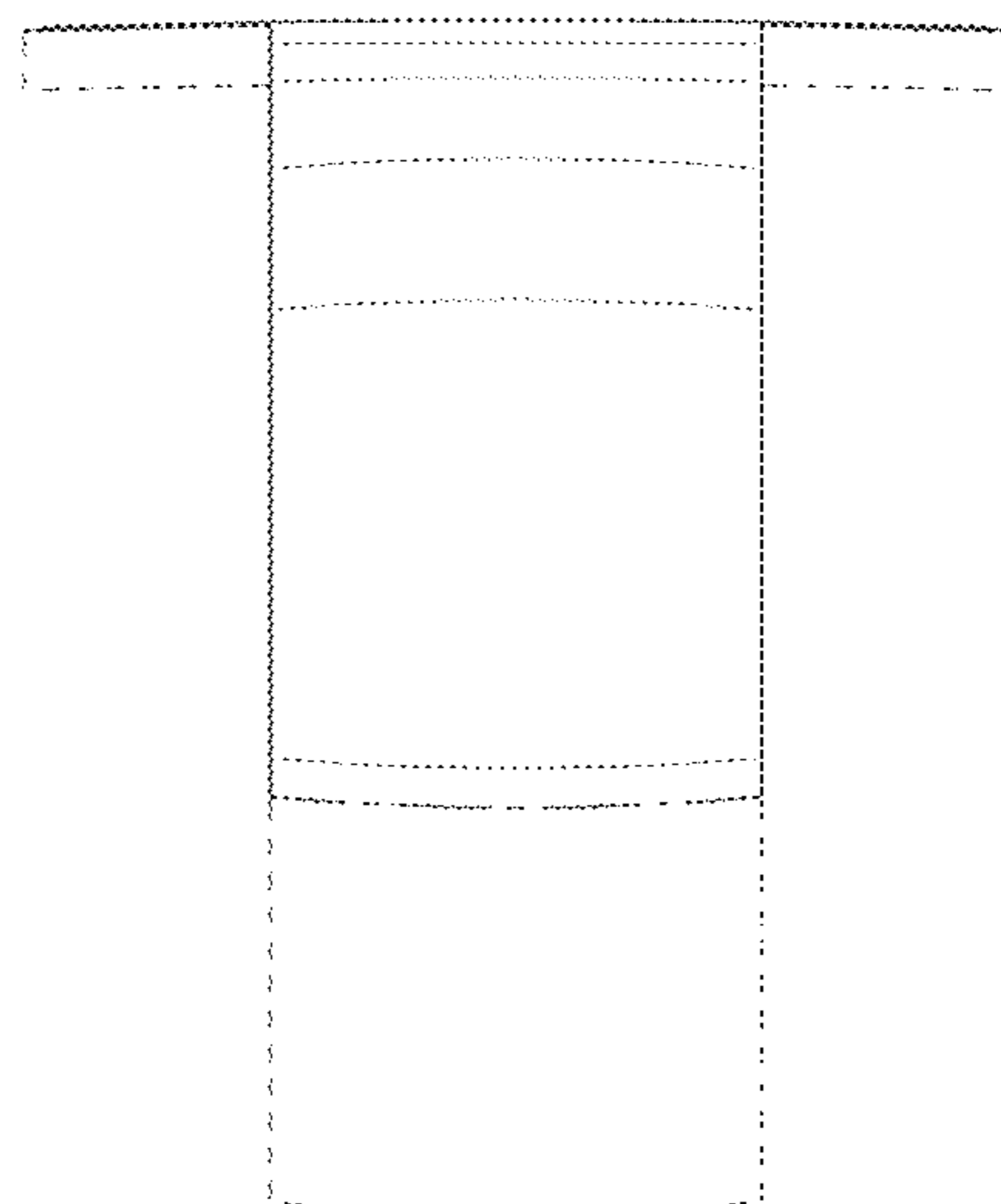


FIG. 7

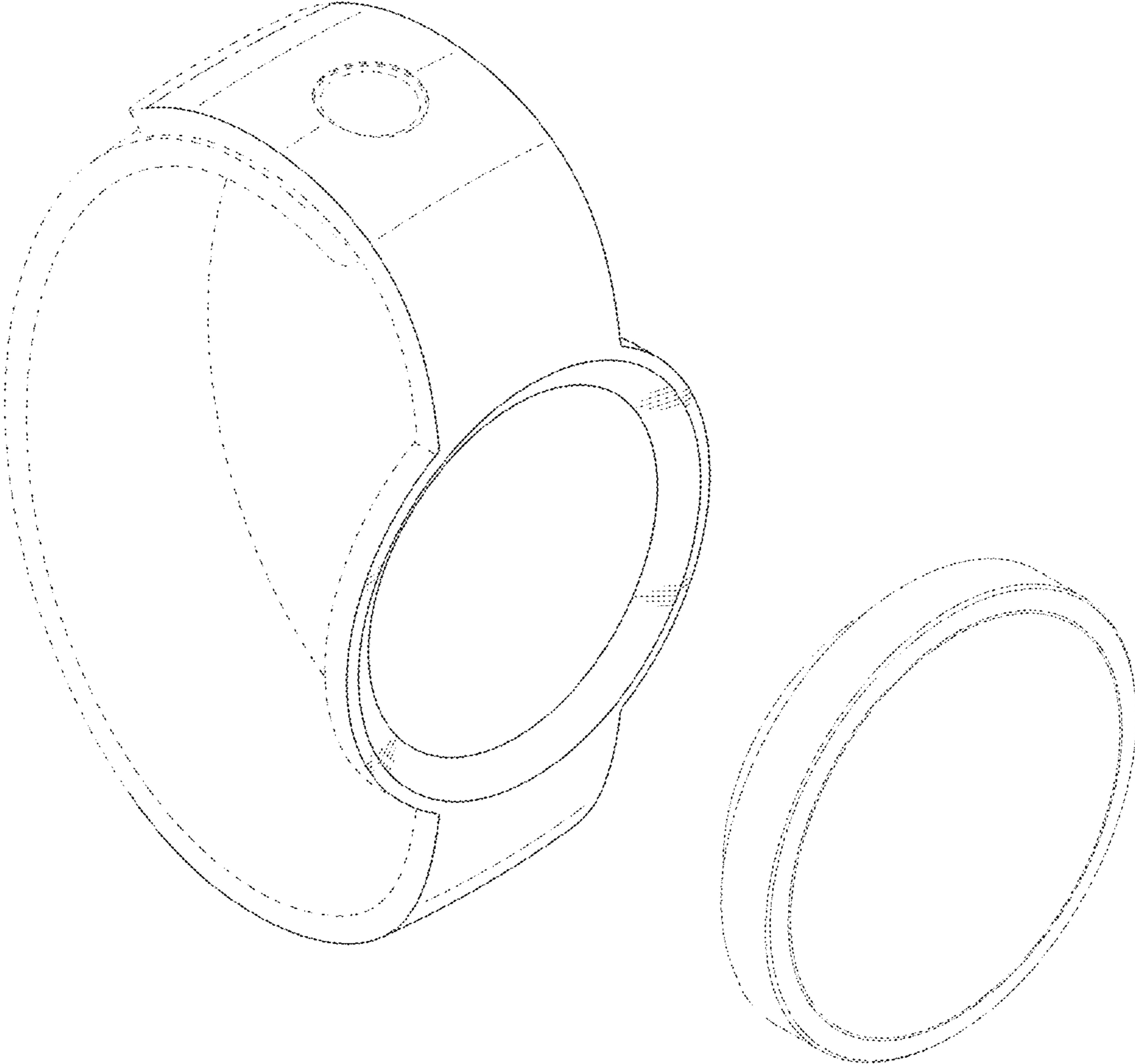


FIG.8