



US00D779352S

(12) **United States Design Patent**  
**Scarder**

(10) **Patent No.:** **US D779,352 S**

(45) **Date of Patent:** **\*\* Feb. 21, 2017**

- (54) **APPARATUS FOR TESTING SMOKE DETECTORS**
- (71) Applicant: **Garfield Scarder**, Hackensack, NJ (US)
- (72) Inventor: **Garfield Scarder**, Hackensack, NJ (US)
- (\*\*) Term: **15 Years**
- (21) Appl. No.: **29/546,382**
- (22) Filed: **Nov. 21, 2015**
- (51) **LOC (10) Cl.** ..... **10-05**
- (52) **U.S. Cl.**  
USPC ..... **D10/104.1**
- (58) **Field of Classification Search**  
USPC . D10/104.1, 106.1–106.9, 106.94; D16/203;  
340/514, 588, 628–630  
CPC ..... F21S 9/01; G08B 5/36; G08B 17/06;  
G08B 17/10; G08B 5/38; G08B  
15/00; G08B 15/001; G08B 29/145  
See application file for complete search history.

- 6,640,608 B2 \* 11/2003 Pepper ..... G08B 29/145  
340/514
- 7,587,926 B2 \* 9/2009 Ackerman ..... G08B 29/145  
340/514
- 8,353,625 B1 \* 1/2013 Feiter ..... G08B 29/145  
374/121
- 8,973,211 B2 \* 3/2015 Rote ..... 15/345
- D744,877 S \* 12/2015 Shay ..... D10/104.1
- 2008/0224847 A1 \* 9/2008 Pepper ..... G08B 29/145  
340/514

\* cited by examiner

*Primary Examiner* — Sandra Morris

(74) *Attorney, Agent, or Firm* — Mitchell Law PLLC;  
Matthew W. Mitchell

(57) **CLAIM**

The ornamental design for an apparatus for testing smoke detectors, as shown.

**DESCRIPTION**

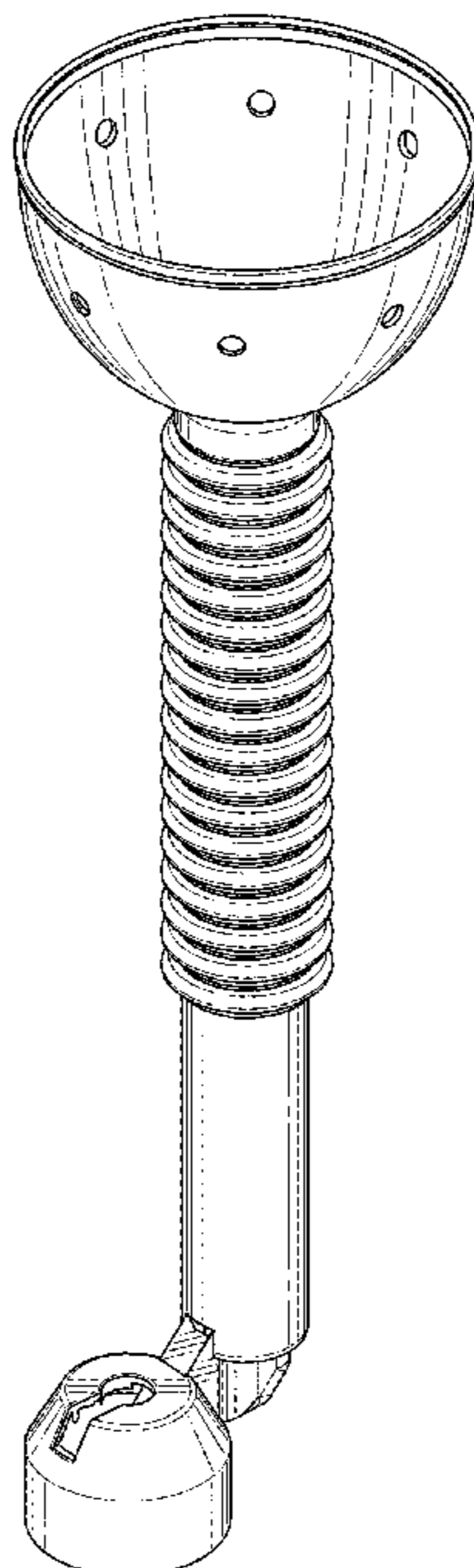
FIG. 1 is a front perspective view of the apparatus for testing smoke detectors of the present invention;  
 FIG. 2 is a second perspective view of the invention of FIG. 1;  
 FIG. 3 is a side view of the invention of FIG. 1, as seen from the right side of FIG. 5;  
 FIG. 4 is a side view of the invention of FIG. 1, as seen from the left side of FIG. 5;  
 FIG. 5 is a front view of the invention of FIG. 1;  
 FIG. 6 is a back view of the invention of FIG. 1; and,  
 FIG. 7 is a top view in elevation of the invention of FIG. 1.

**1 Claim, 7 Drawing Sheets**

(56) **References Cited**

U.S. PATENT DOCUMENTS

- 3,693,401 A \* 9/1972 Purt ..... G08B 29/145  
340/515
- 5,170,148 A \* 12/1992 Duggan ..... G08B 29/145  
340/514
- 5,611,620 A \* 3/1997 Wantz ..... G08B 29/145  
340/515
- 6,015,230 A \* 1/2000 Wantz ..... G08B 29/145  
340/515
- 6,208,257 B1 \* 3/2001 Choi ..... G08B 7/062  
340/514
- 6,423,962 B1 \* 7/2002 Pepper ..... G08B 29/145  
340/630



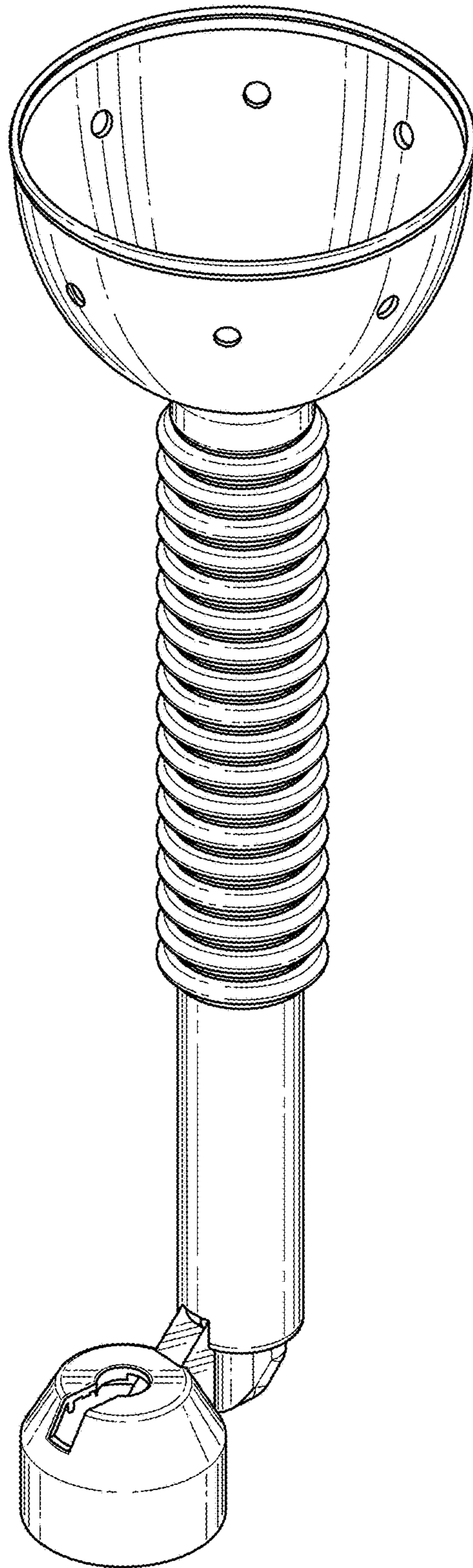


FIG. 1

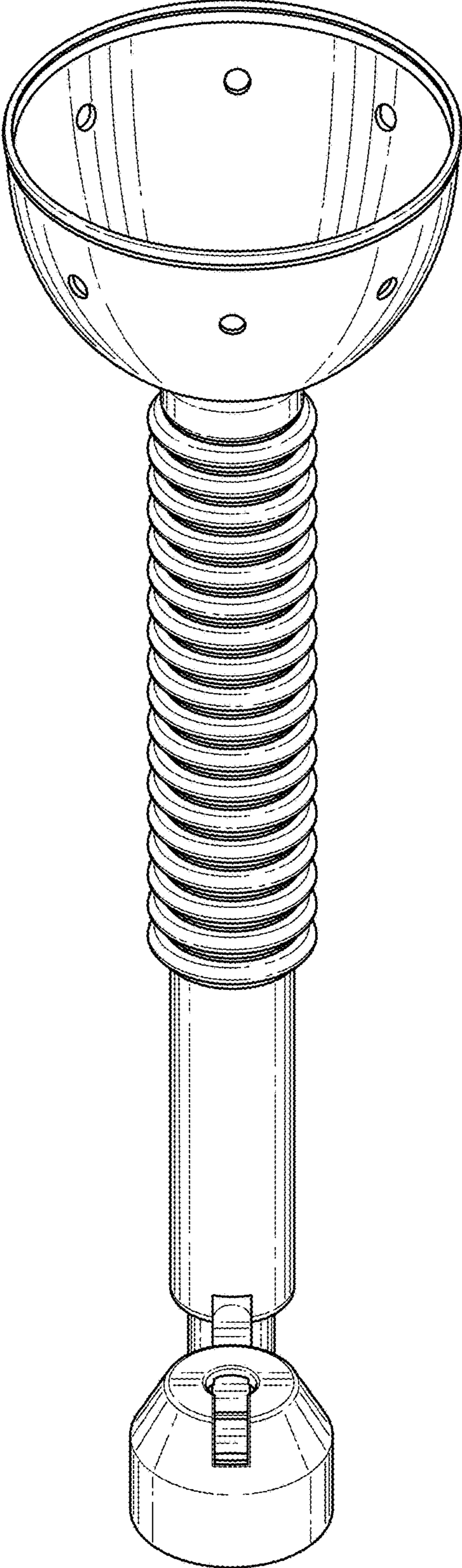


FIG. 2

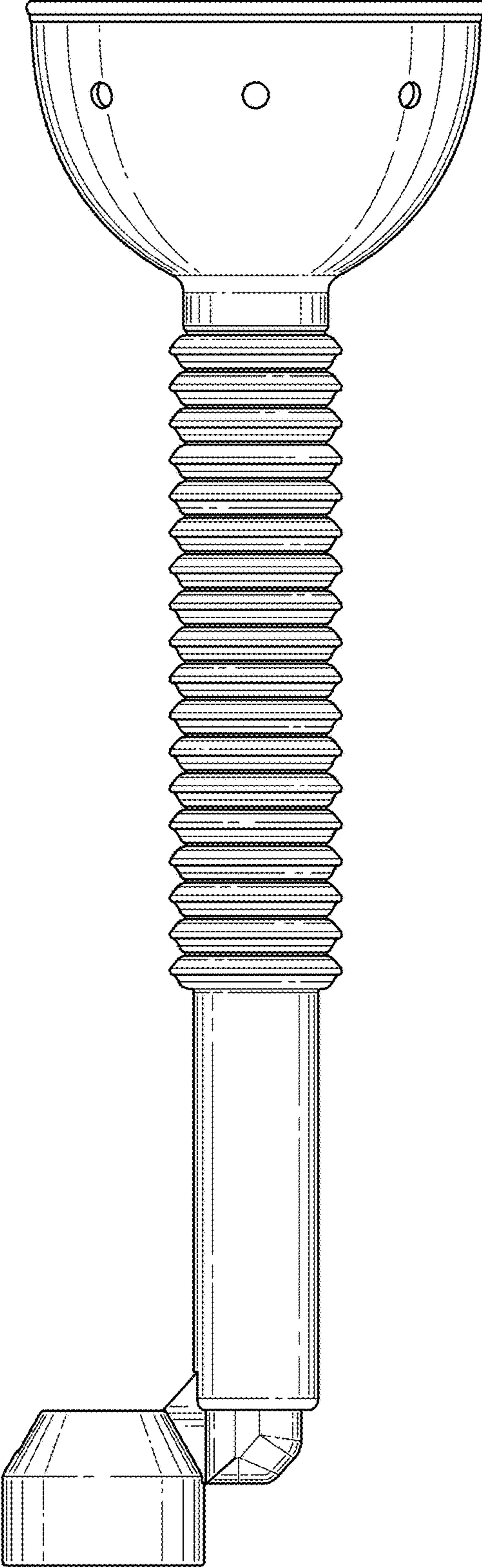


FIG. 3

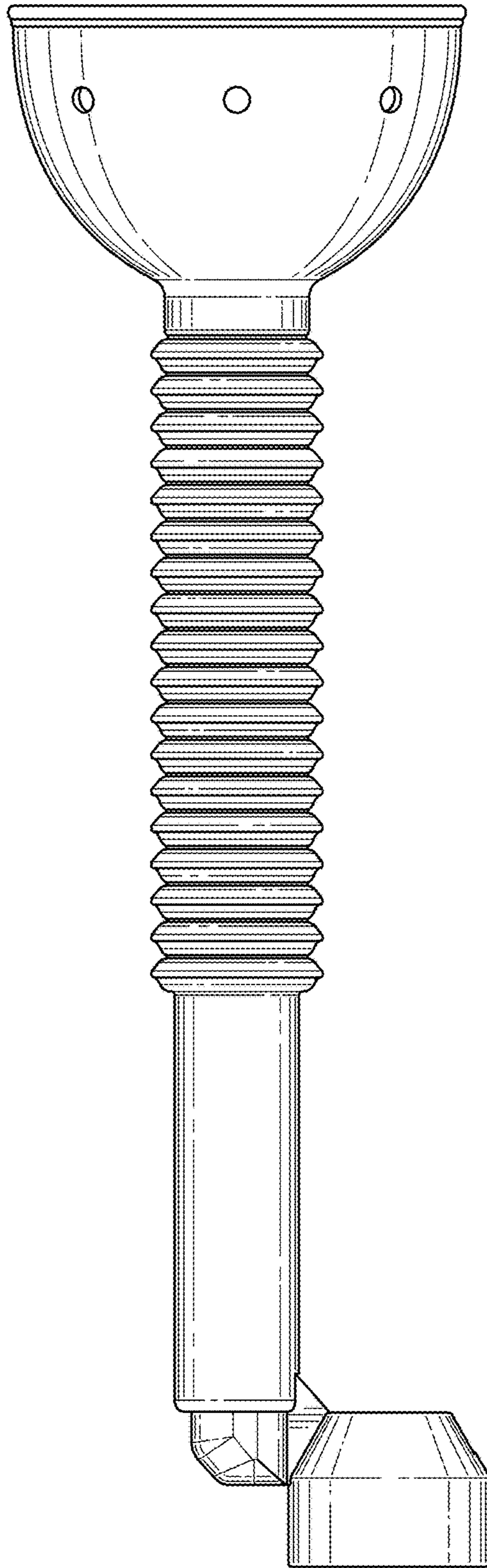


FIG. 4

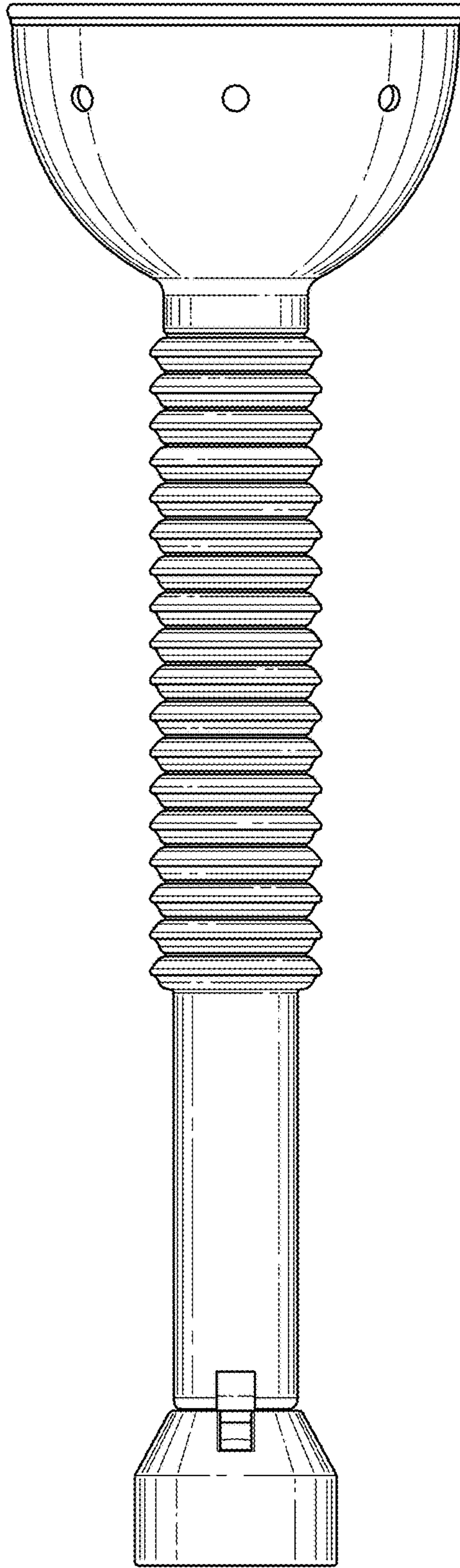


FIG. 5

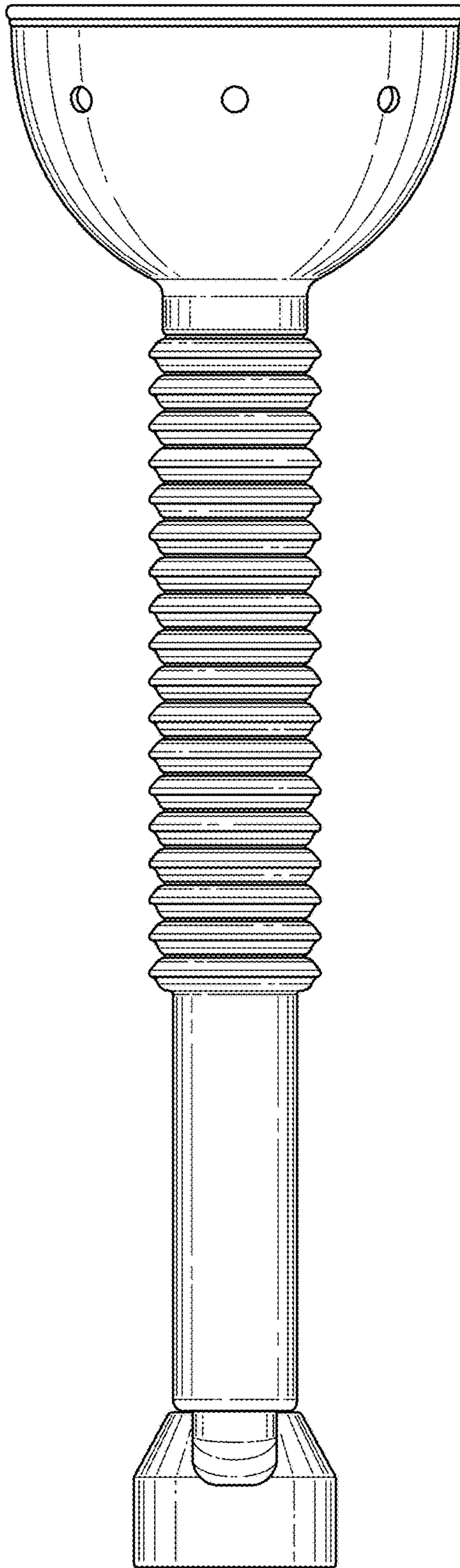


FIG. 6

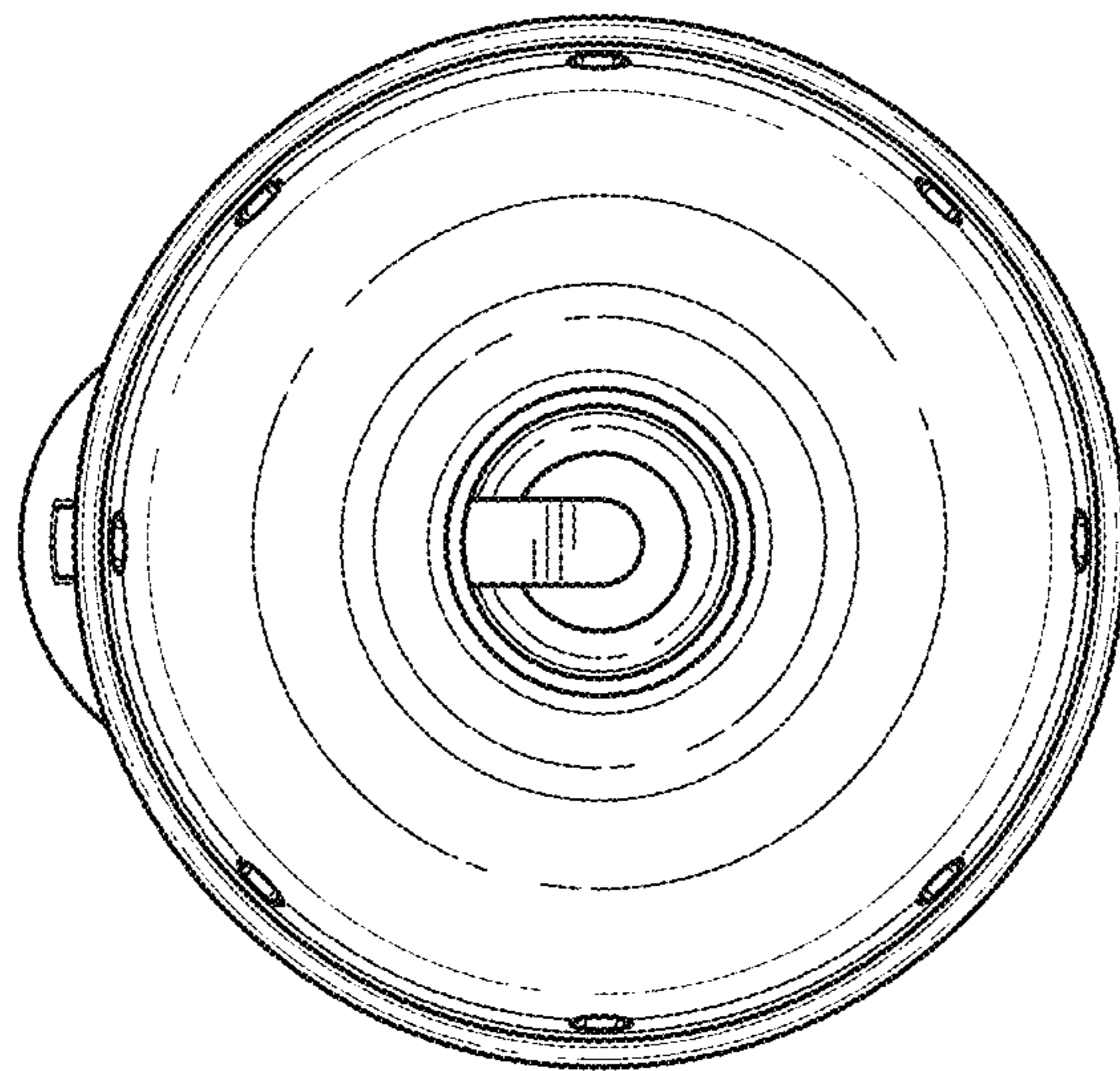


FIG. 7