



US00D779351S

(12) **United States Design Patent**
Kawakami

(10) **Patent No.:** **US D779,351 S**
(45) **Date of Patent:** **** Feb. 21, 2017**

(54) **SPEEDOMETER FOR A BICYCLE**

FOREIGN PATENT DOCUMENTS

- (71) Applicant: **Cateye Co., Ltd.**, Osaka (JP)
- (72) Inventor: **Kenta Kawakami**, Osaka (JP)
- (73) Assignee: **Cateye Co., Ltd.**, Osaka (JP)
- (**) Term: **15 Years**

CN	301409373 S	12/2010
CN	302991390 S	11/2014
JP	2009173224 A	8/2009
JP	1391638 S	7/2010
JP	1454459 S	11/2012
JP	1461631 S	2/2013
JP	1471697 S	6/2013
JP	D1537353	11/2015
TW	D172358	12/2015

(21) Appl. No.: **29/537,640**

* cited by examiner

(22) Filed: **Aug. 27, 2015**

Primary Examiner — Antoine D Davis

(30) **Foreign Application Priority Data**

(74) *Attorney, Agent, or Firm* — Arnstein & Lehr LLP

Mar. 13, 2015 (JP) 2015-005548

(51) **LOC (10) Cl.** **10-04**

(52) **U.S. Cl.**
USPC **D10/98**

(58) **Field of Classification Search**
USPC D10/98
CPC G01P 3/478; G01P 3/488; G01P 3/4953;
G01P 21/02; G01C 22/00; G01C 22/002
See application file for complete search history.

(57) **CLAIM**

The ornamental design for a speedometer for a bicycle, as shown.

(56) **References Cited**

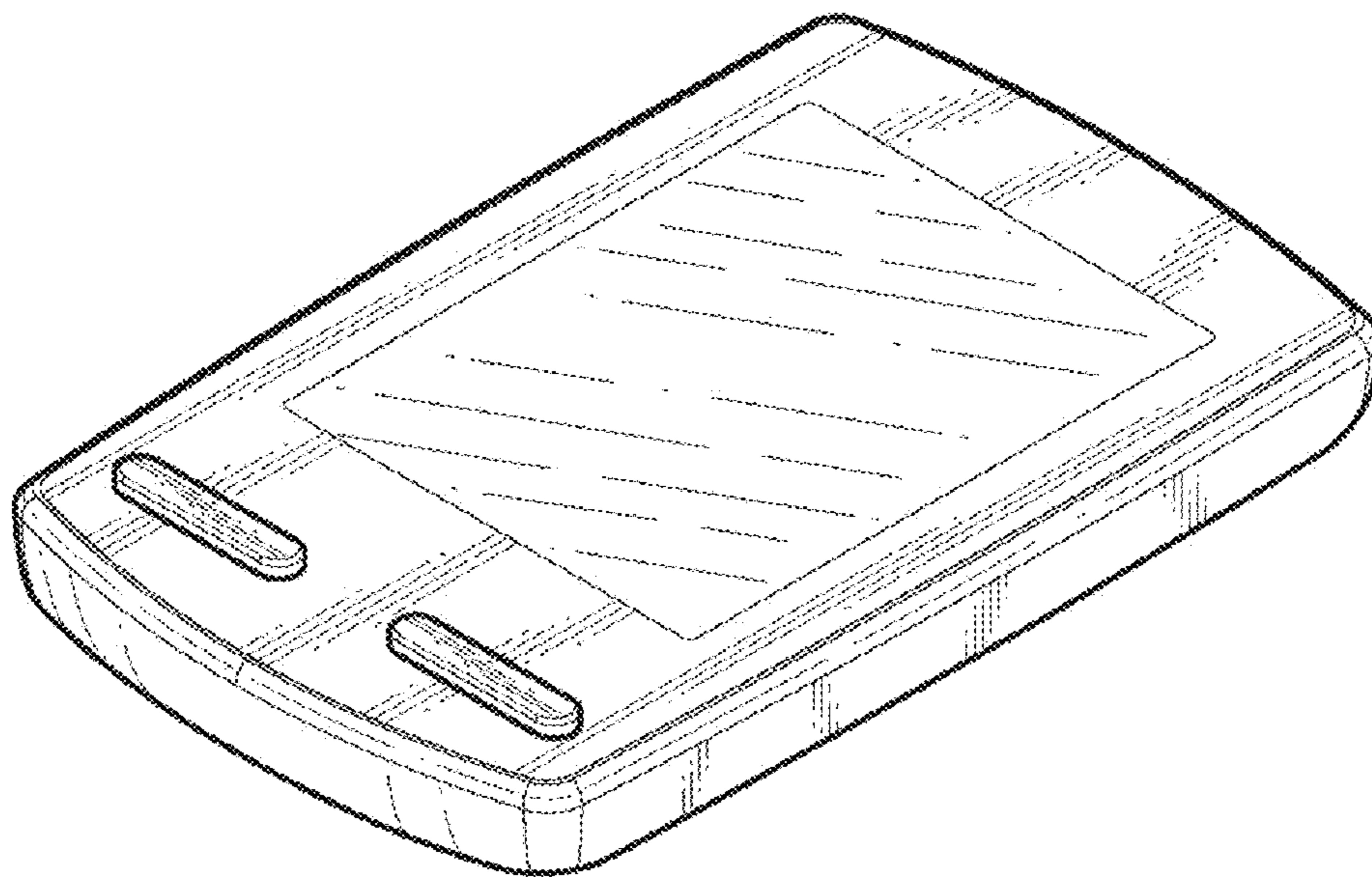
DESCRIPTION

U.S. PATENT DOCUMENTS

FIG. 1 is a perspective view of a speedometer for a bicycle showing my new design;
FIG. 2 is a front view thereof;
FIG. 3 is a rear view thereof;
FIG. 4 is a top plan view thereof;
FIG. 5 is a bottom plan view thereof;
FIG. 6 is a right side view thereof; and,
FIG. 7 is a left side view thereof.

D704,683 S	5/2014	Ueda et al.	
D727,768 S *	4/2015	Nagano	D10/98
D759,522 S *	6/2016	Ueda	D10/98

1 Claim, 5 Drawing Sheets



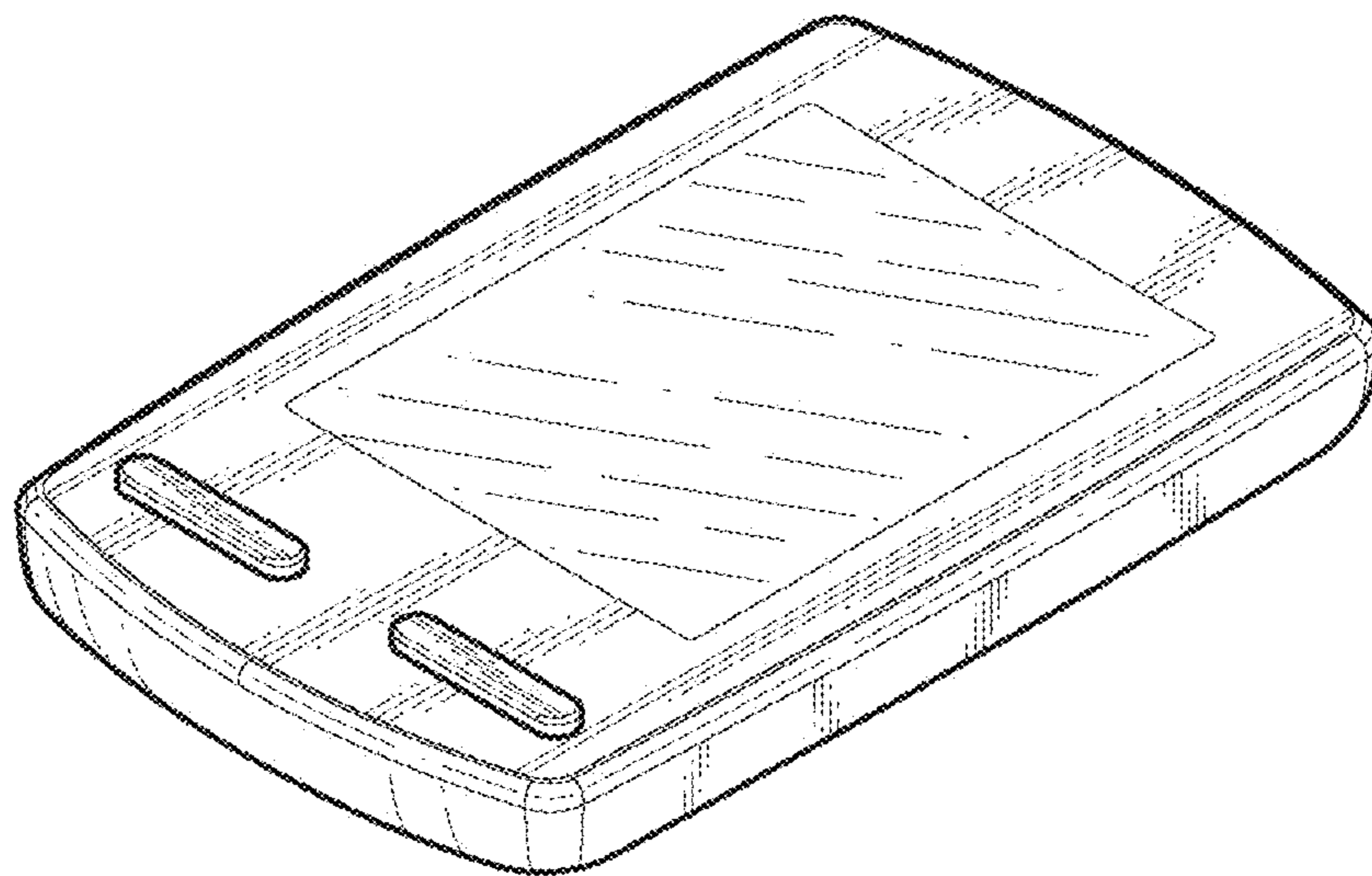


Fig. 1

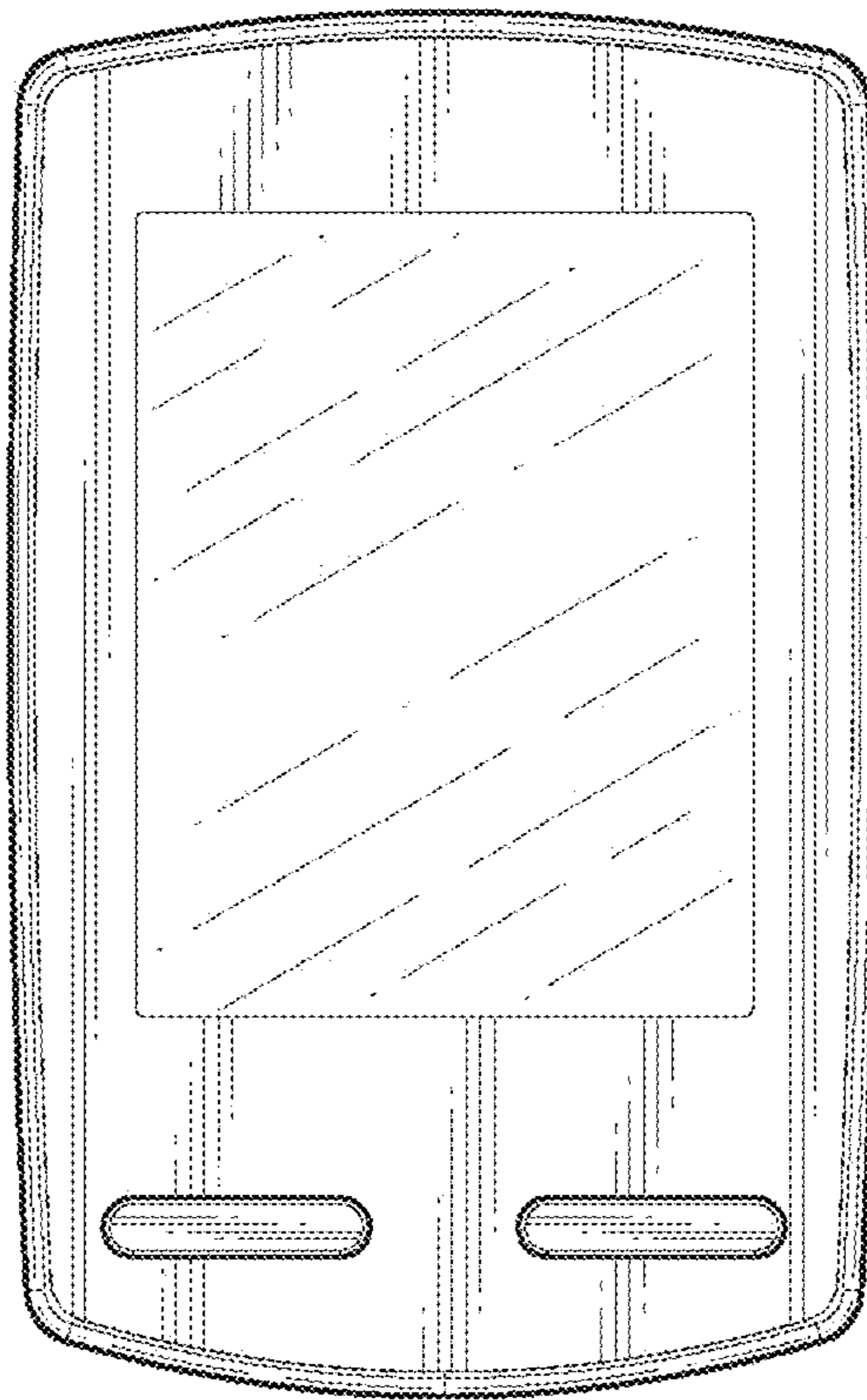


Fig. 2

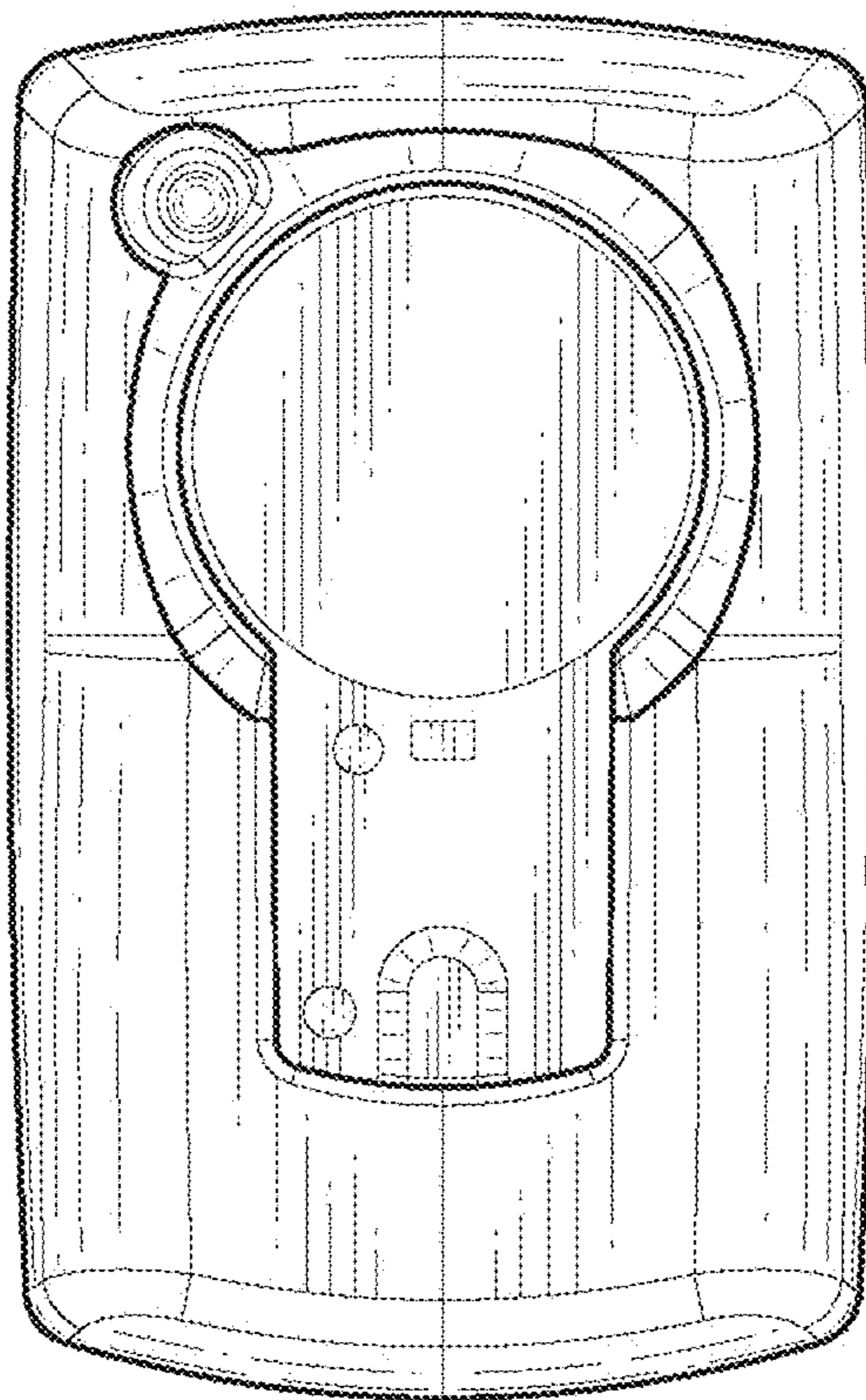


Fig. 3

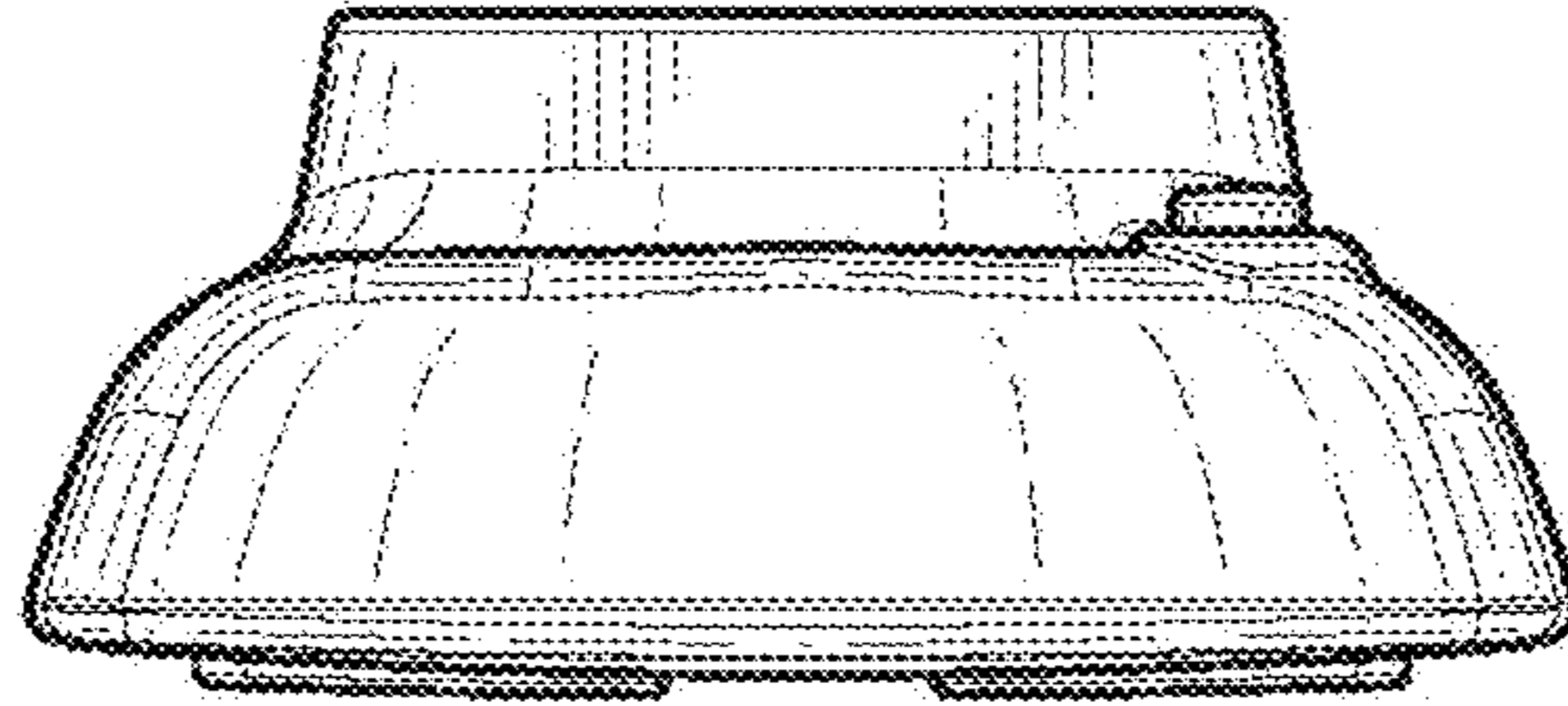


Fig. 4

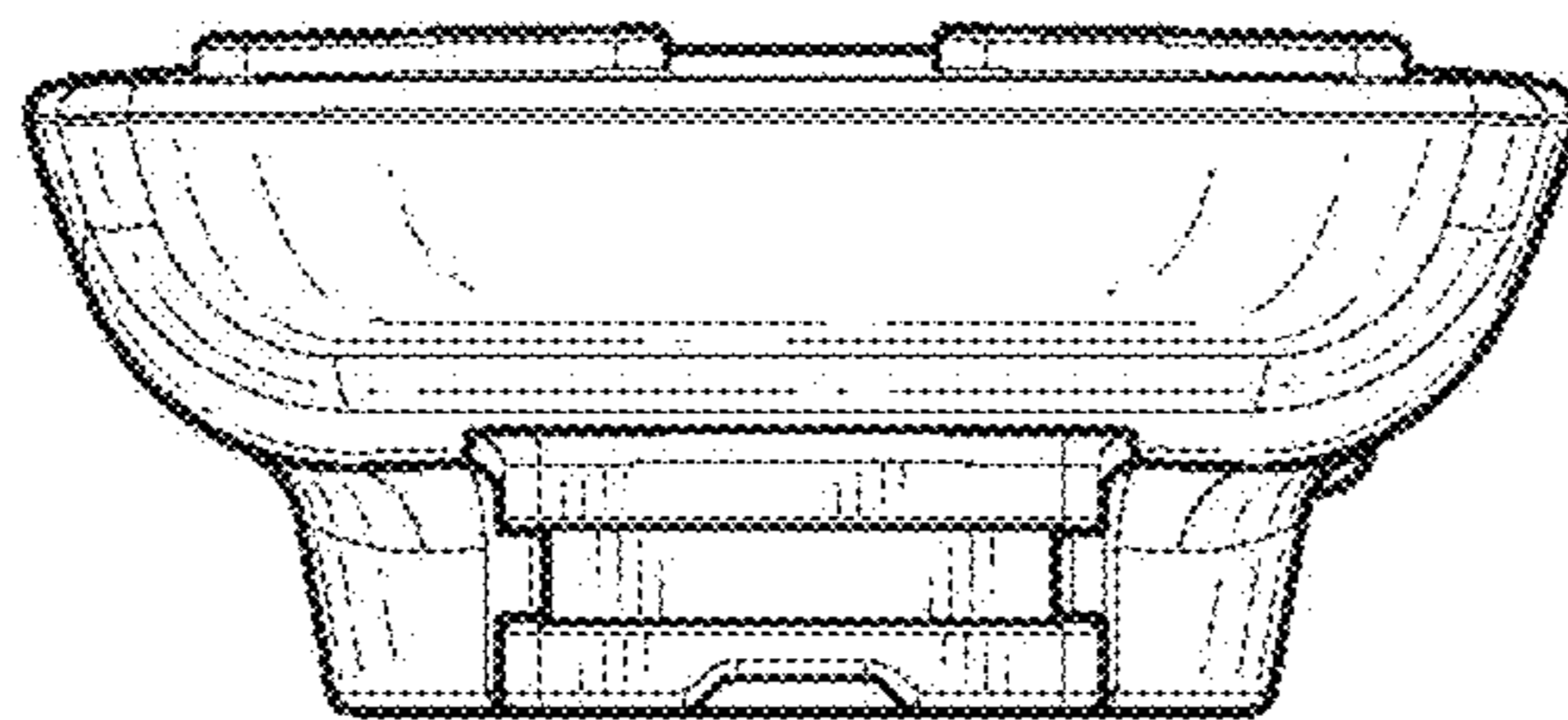


Fig. 5

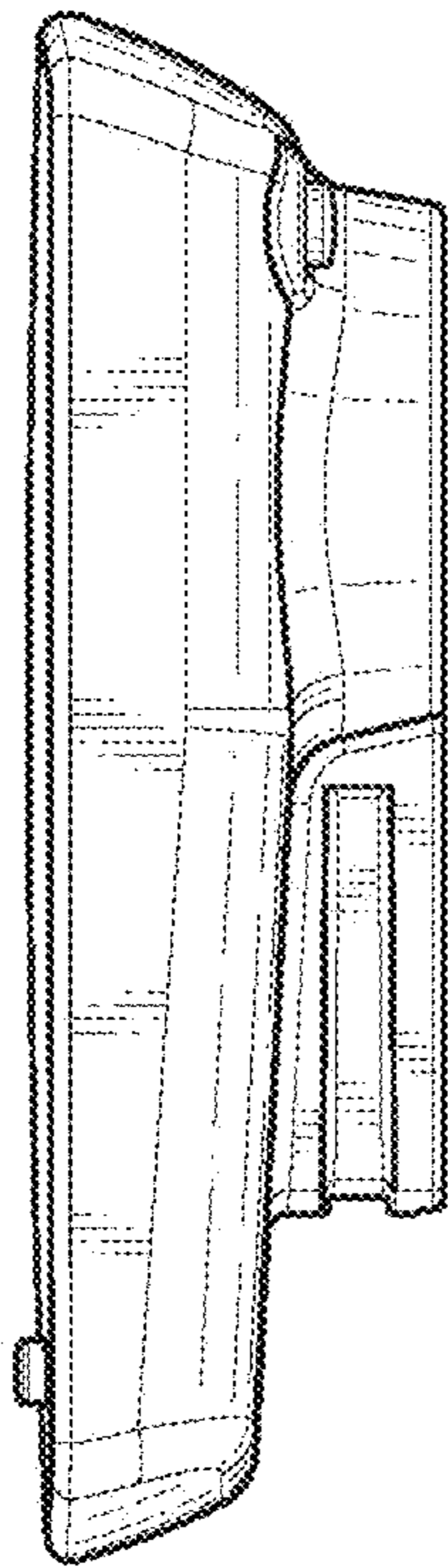


Fig. 6

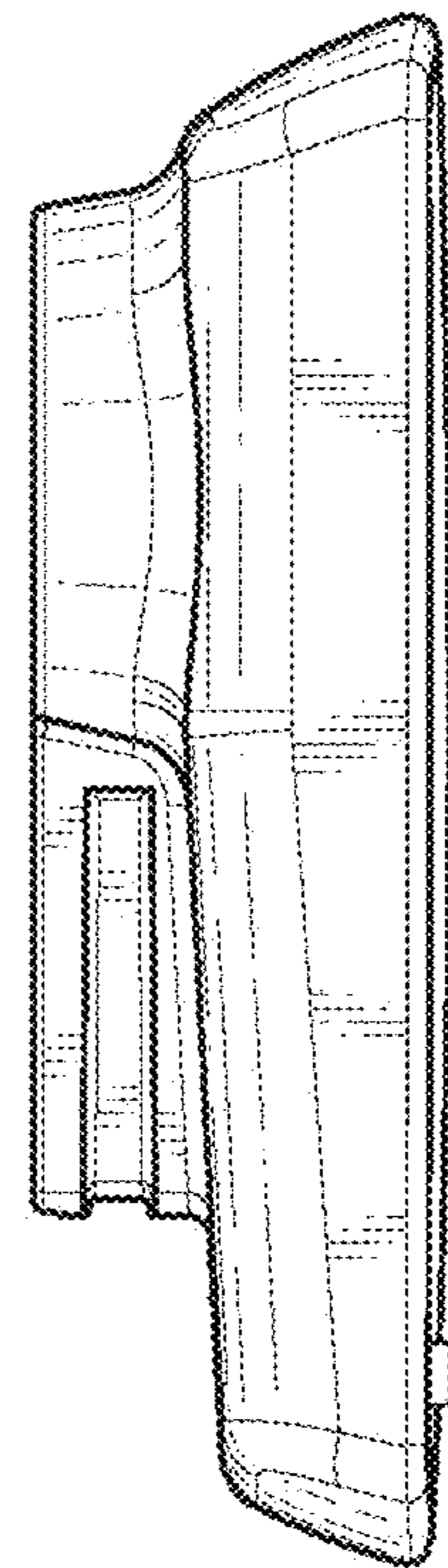


Fig. 7