



US00D779350S

(12) **United States Design Patent**
Shen

(10) **Patent No.:** **US D779,350 S**

(45) **Date of Patent:** **** Feb. 21, 2017**

(54) **DIGITAL MULTIMETER**

(56) **References Cited**

(71) Applicant: **Fluke Precision Measurement Ltd.**,
Norwich, Norfolk (GB)

(72) Inventor: **Yurui Shen**, Shanghai (CN)

(73) Assignee: **Fluke Precision Measurement Ltd.**,
Norwich (GB)

(**) Term: **15 Years**

(21) Appl. No.: **29/557,531**

(22) Filed: **Mar. 9, 2016**

U.S. PATENT DOCUMENTS

D358,348 S	5/1995	Burgess
5,834,935 A	11/1998	Lyford
5,920,188 A	7/1999	Voorheis et al.
D412,450 S	8/1999	McCain
D419,466 S	1/2000	McCain
D446,735 S	8/2001	McCain
D625,633 S	10/2010	Laurino et al.
7,990,162 B2	8/2011	Eng, Jr.
8,093,516 B2	1/2012	Worones et al.
8,358,121 B2	1/2013	Hudson et al.
8,374,507 B2	2/2013	Hudson et al.
8,405,380 B2	3/2013	Marzynski et al.
D684,873 S	6/2013	Steinich et al.
8,466,671 B2	6/2013	Worones
D704,579 S	5/2014	Heishi et al.
D705,099 S	5/2014	Heishi et al.
D705,681 S	5/2014	Morishita et al.
8,755,173 B2	6/2014	Laurino et al.
D724,976 S *	3/2015	Crowe D10/78

(Continued)

Related U.S. Application Data

(63) Continuation of application No. 29/519,136, filed on
Mar. 2, 2015, now Pat. No. Des. 754,010, which is a
continuation of application No. 29/476,733, filed on
Dec. 16, 2013, now Pat. No. Des. 723,401.

Primary Examiner — Antoine D Davis

(74) *Attorney, Agent, or Firm* — Seed IP Law Group LLP

(30) **Foreign Application Priority Data**

Jun. 19, 2013 (CN) 2013 3 0263248

(51) **LOC (10) Cl.** **10-04**

(52) **U.S. Cl.**
USPC **D10/78**

(58) **Field of Classification Search**
USPC D10/78, 79
CPC G01R 1/04; G01R 1/0408; G01R 1/0416;
G01R 1/0425; G01R 1/06; G01R 1/067;
G01R 15/125; G01R 1/22; G01R 15/12;
G01R 15/18; G01R 15/186; G01R 1/07;
G01R 1/16772; G01R 1/16788

See application file for complete search history.

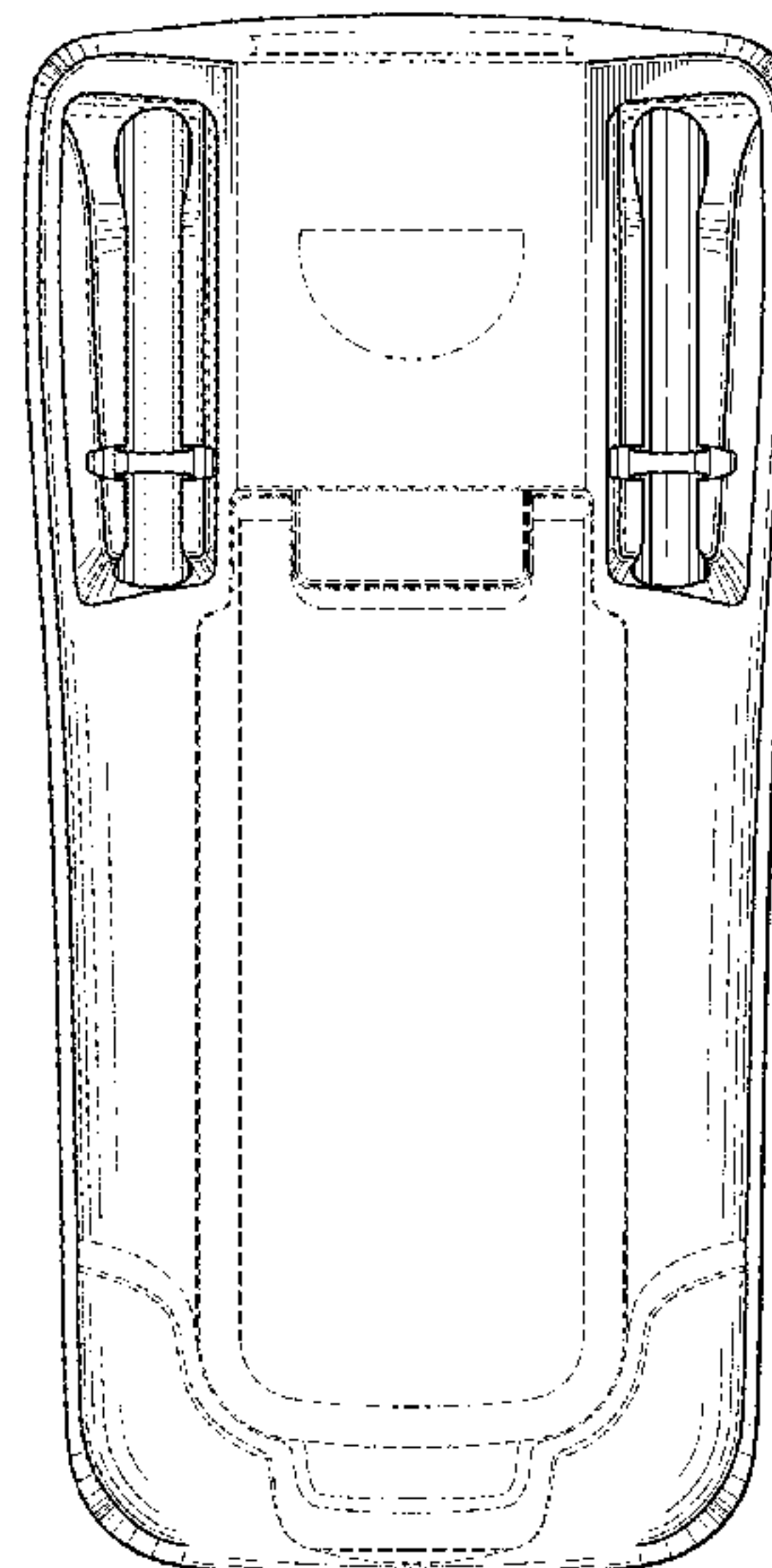
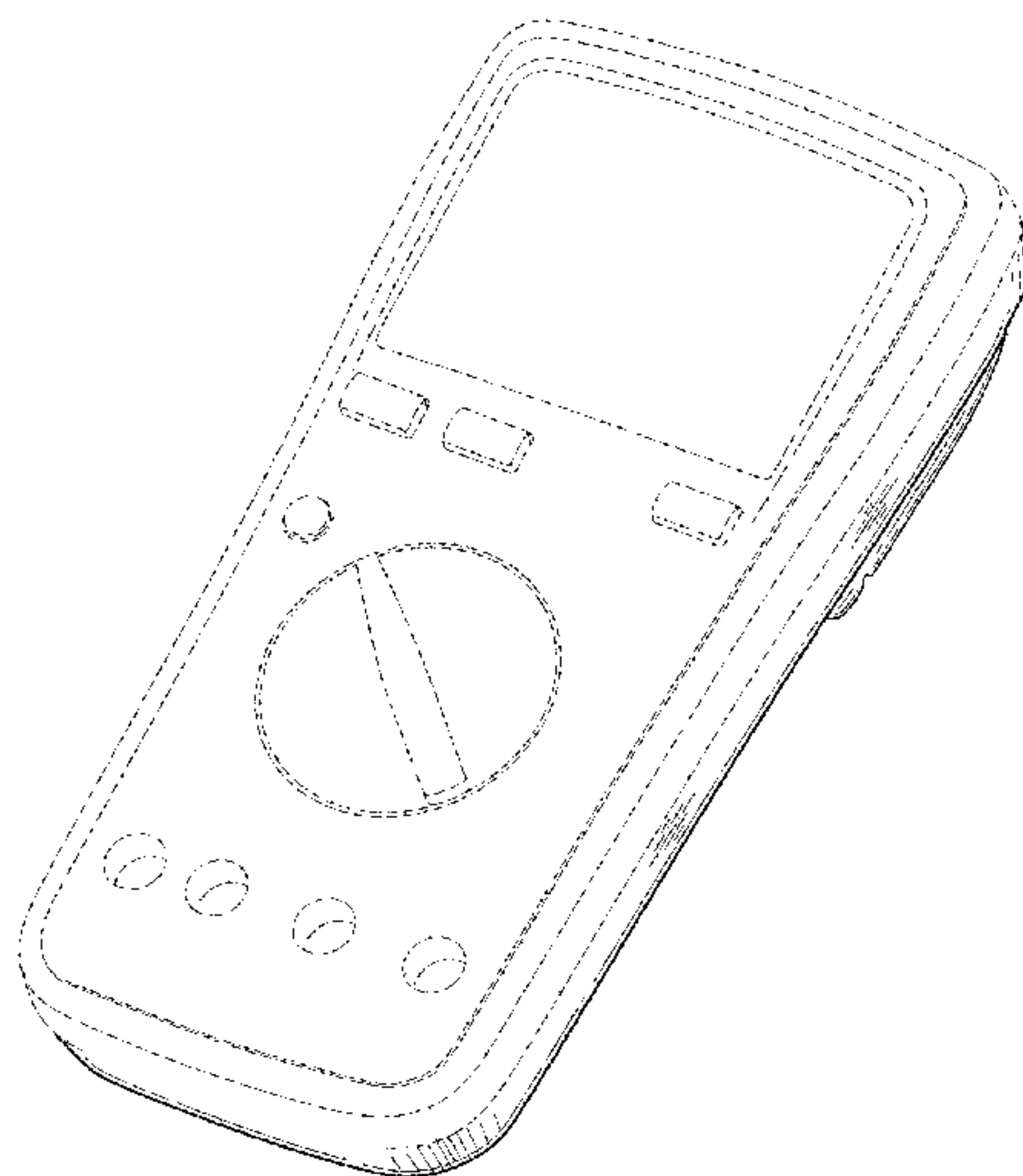
(57) **CLAIM**

The ornamental design for a digital multimeter, as shown
and described.

DESCRIPTION

FIG. 1 is a bottom front right perspective view of a digital
multimeter showing my new design.
FIG. 2 is a rear elevation view thereof.
FIG. 3 is a left side elevation view thereof.
FIG. 4 is a right side elevation view thereof.
FIG. 5 is a top plan view thereof; and,
FIG. 6 is a bottom plan view thereof.
The broken line showing of structural features is included
for the purpose of illustrating non-claimed subject matter
and forms no part of the claimed design.

1 Claim, 4 Drawing Sheets



(56)

References Cited

U.S. PATENT DOCUMENTS

D731,908 S 6/2015 Huang
D738,242 S * 9/2015 Crowe D10/78

* cited by examiner

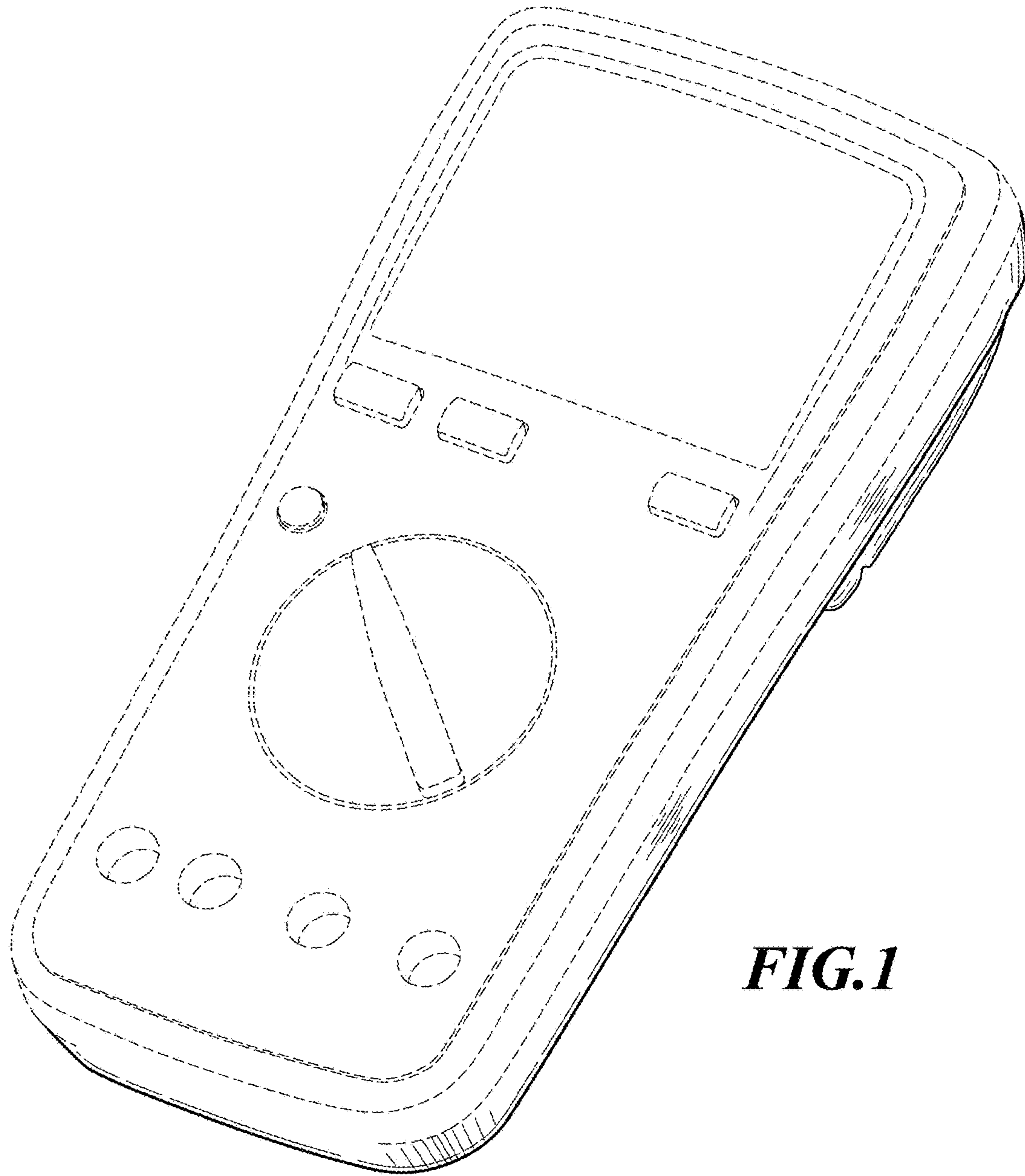


FIG. 1

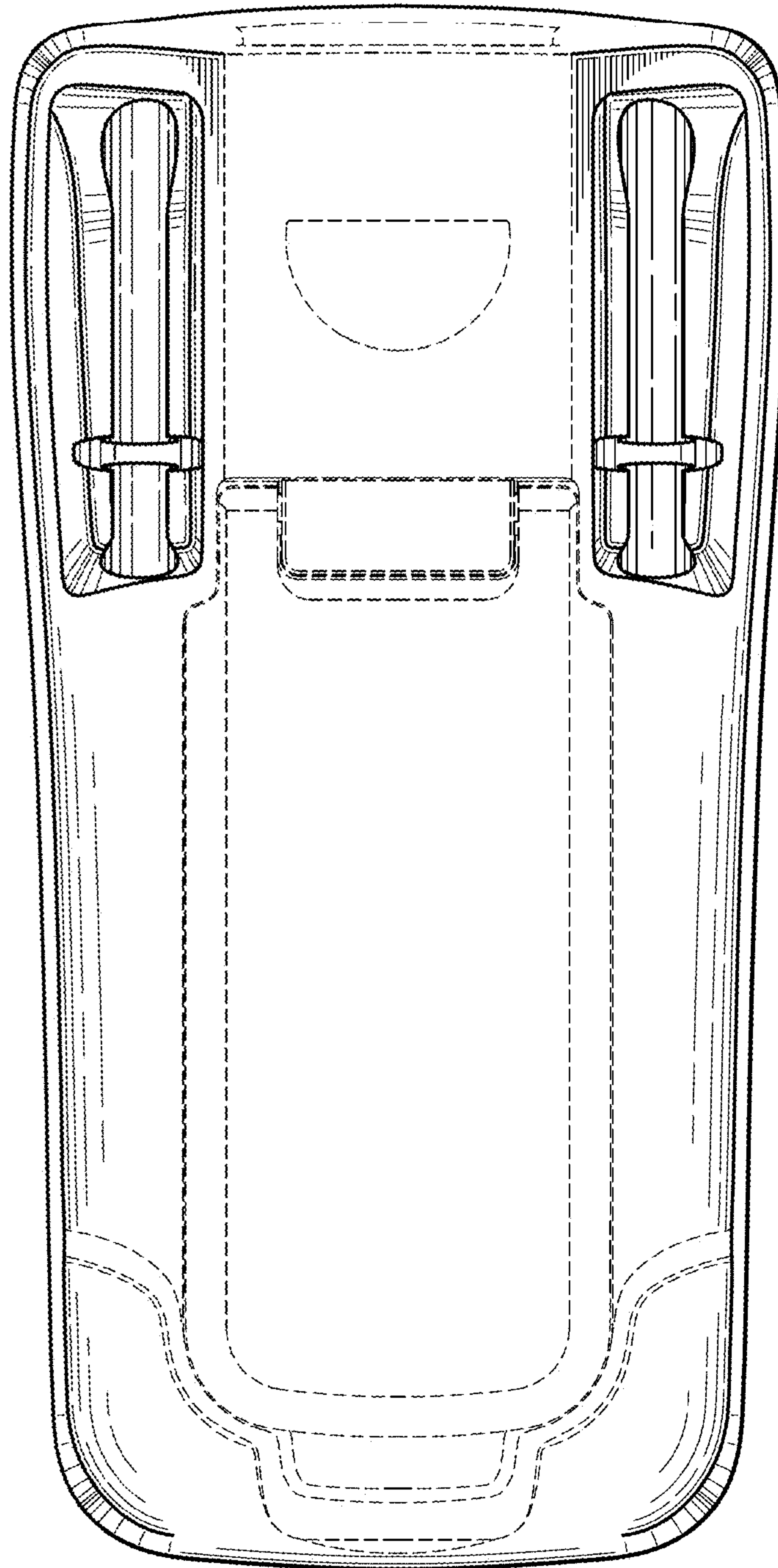


FIG.2

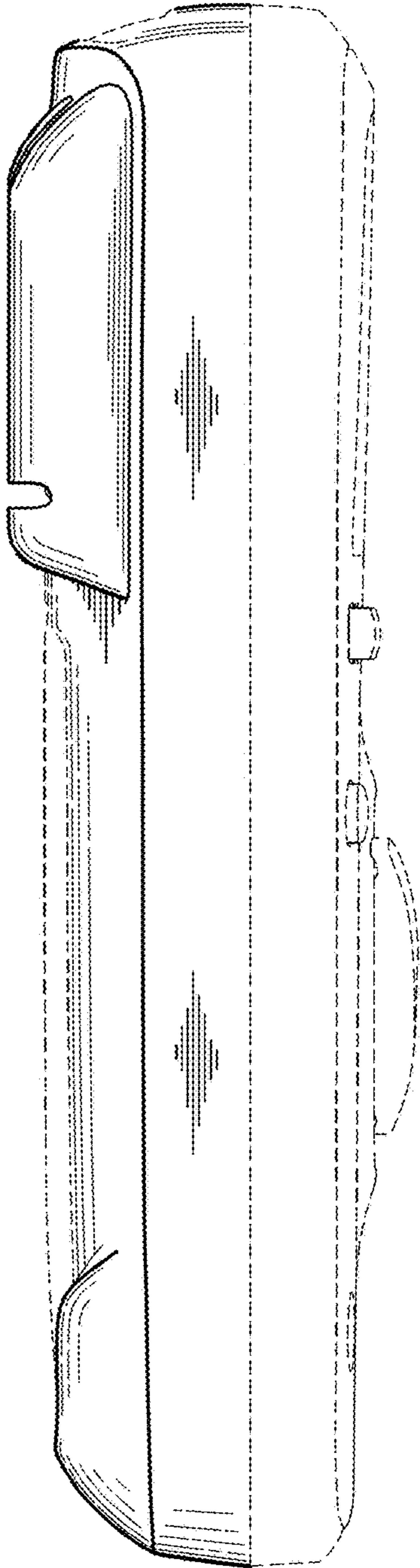


FIG.3

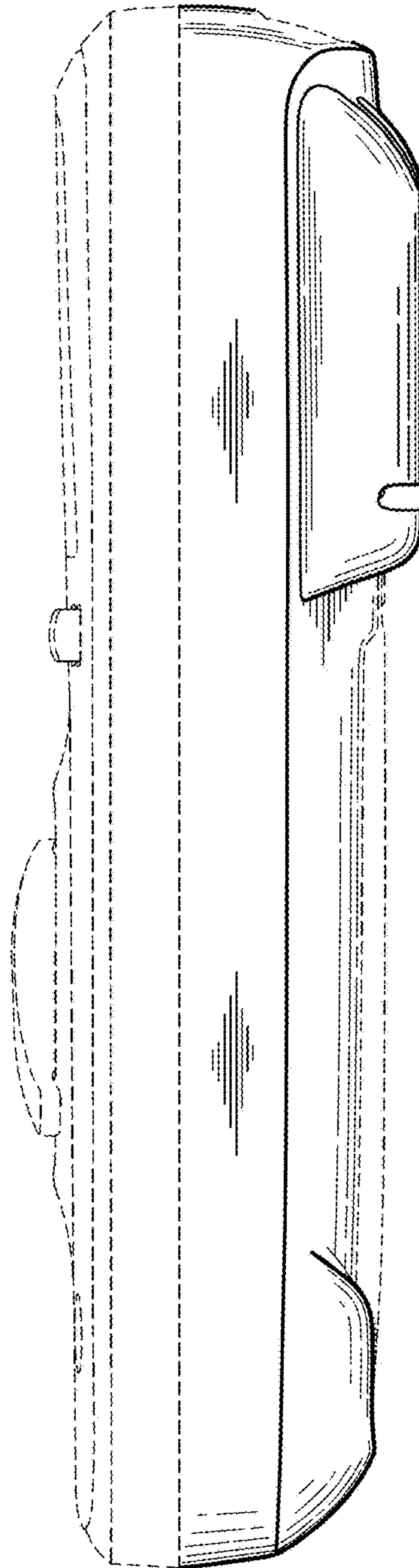


FIG.4

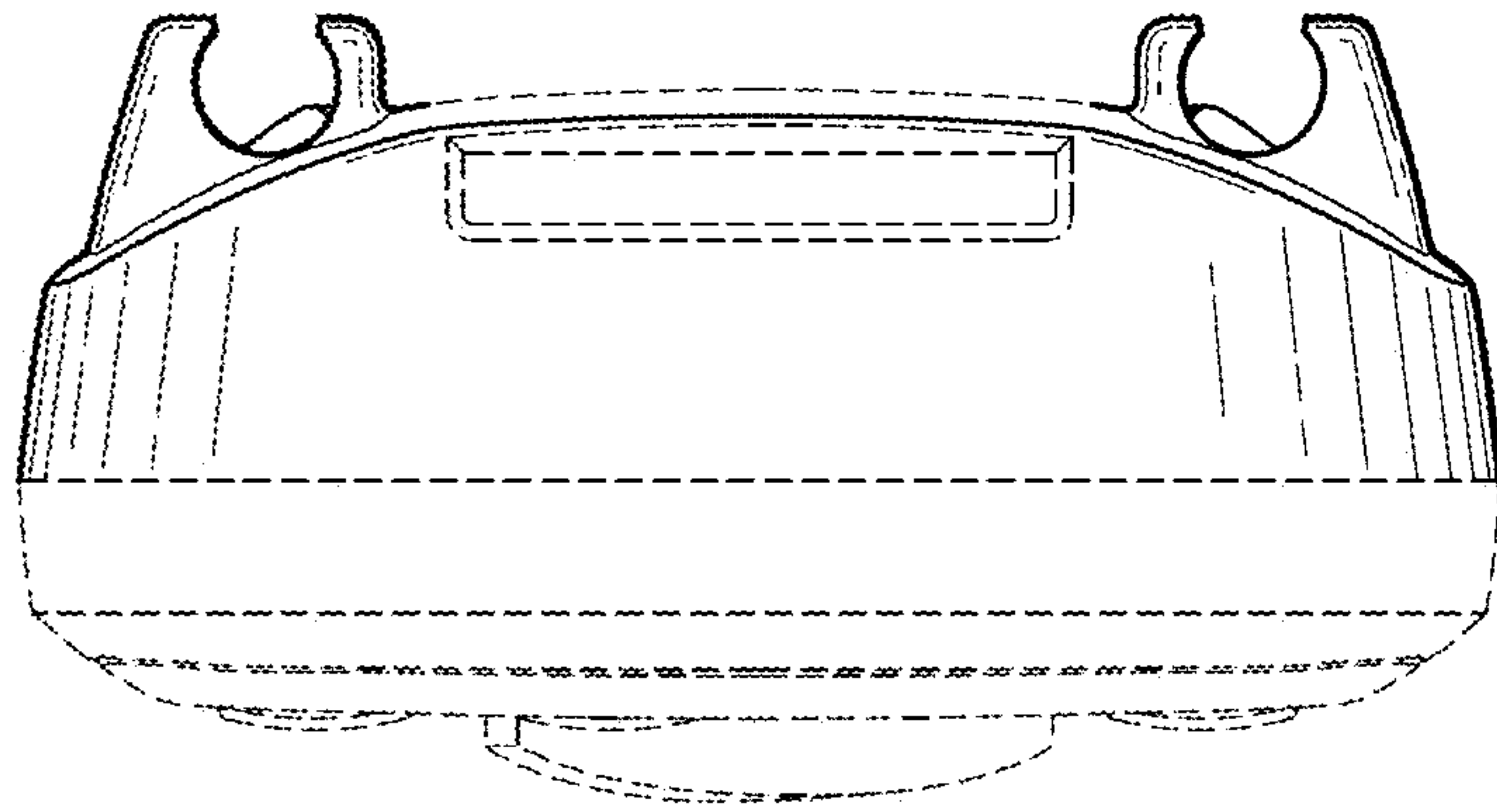


FIG. 5

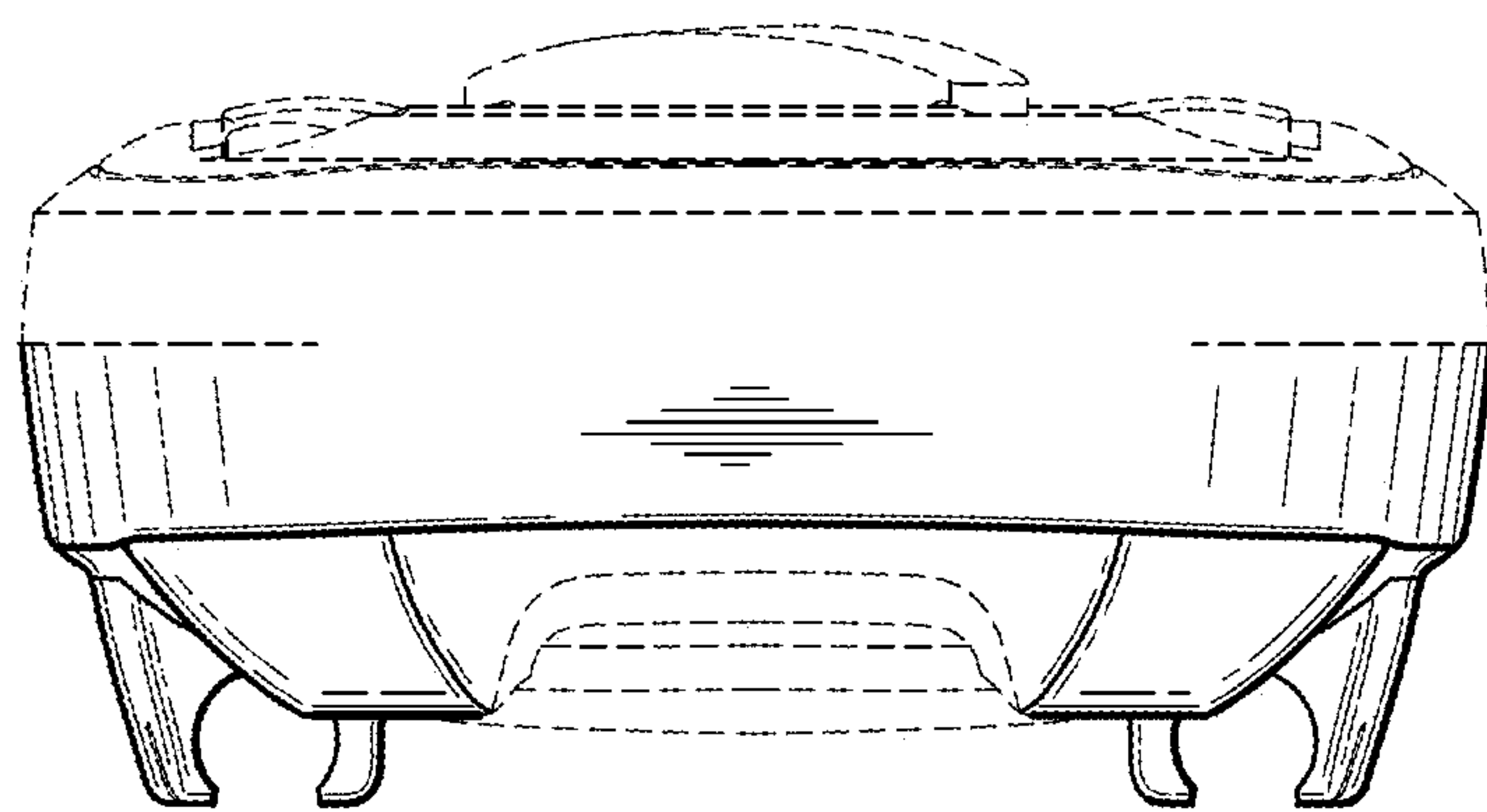


FIG. 6