



US00D779347S

(12) **United States Design Patent**  
**Zampini, II**

(10) **Patent No.:** **US D779,347 S**

(45) **Date of Patent:** **\*\* Feb. 21, 2017**

(54) **LIGHT ENABLED TRACKING DEVICE**

(71) Applicant: **BECO, Inc.**, Cambridge, MA (US)

(72) Inventor: **Thomas Zampini, II**, Cambridge, MA (US)

(73) Assignee: **Beco, Inc.**, Cambridge, MA (US)

(\*\*) Term: **15 Years**

(21) Appl. No.: **29/535,325**

(22) Filed: **Aug. 5, 2015**

(51) **LOC (10) Cl.** ..... **10-04**

(52) **U.S. Cl.**  
USPC ..... **D10/70; D10/74**

(58) **Field of Classification Search**  
USPC ..... D10/70, 74  
CPC ..... A41D 1/02; A44C 5/0015; A44C 5/02;  
A44C 5/14; A61B 19/44; A61B 2019/446;  
A63B 71/06; A63B 26/00; A63B 24/0075;  
A63B 2071/0663; G09F 3/005; G06F  
1/163; G06F 3/038; G06F  
3/03547; G04G 17/00; G04G 17/08

See application file for complete search history.

(56) **References Cited**

U.S. PATENT DOCUMENTS

D739,274 S \* 9/2015 Chen ..... D10/70

\* cited by examiner

*Primary Examiner* — Antoine D Davis

(74) *Attorney, Agent, or Firm* — Foley & Lardner LLP;  
Christopher J. McKenna

(57) **CLAIM**

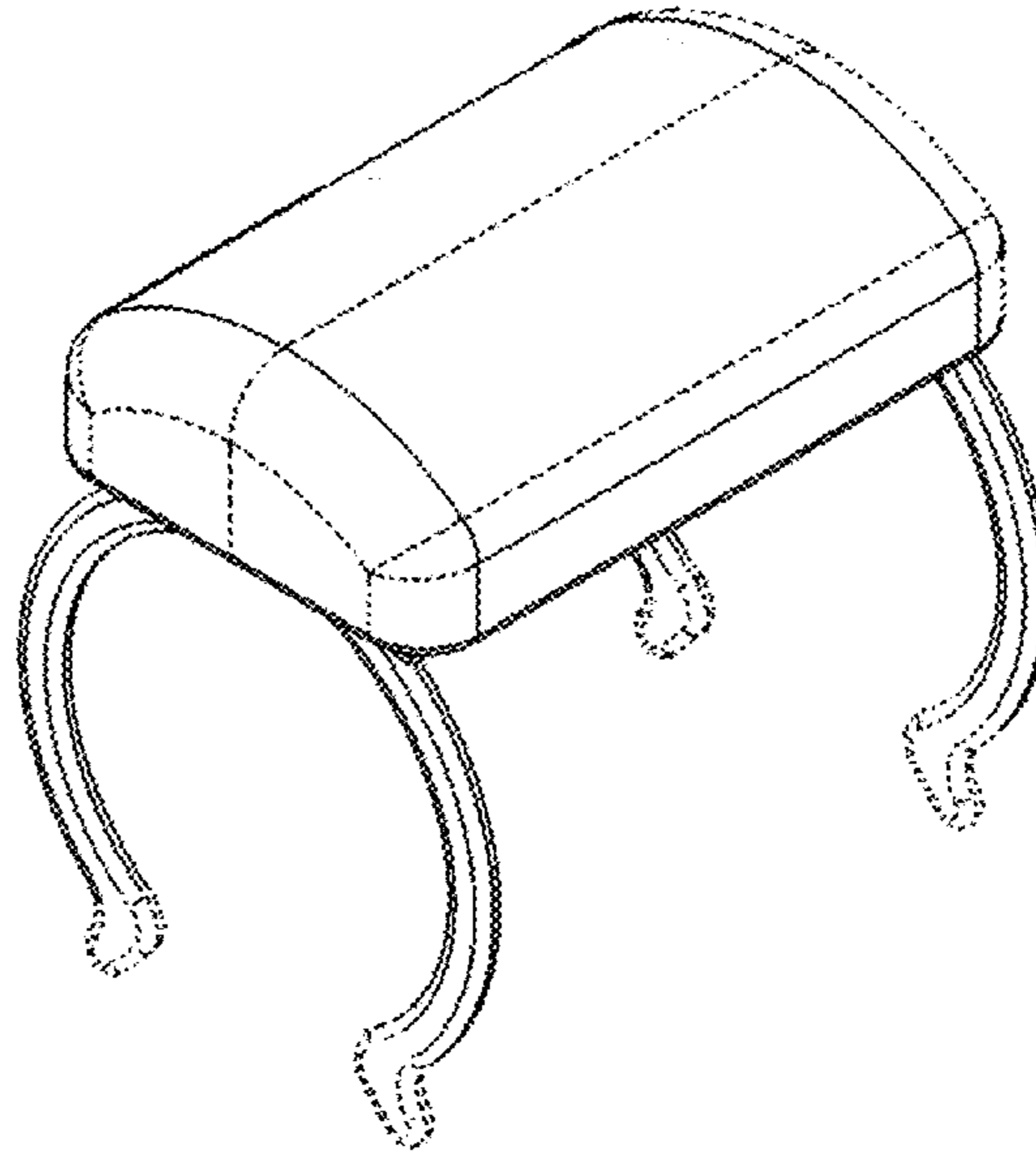
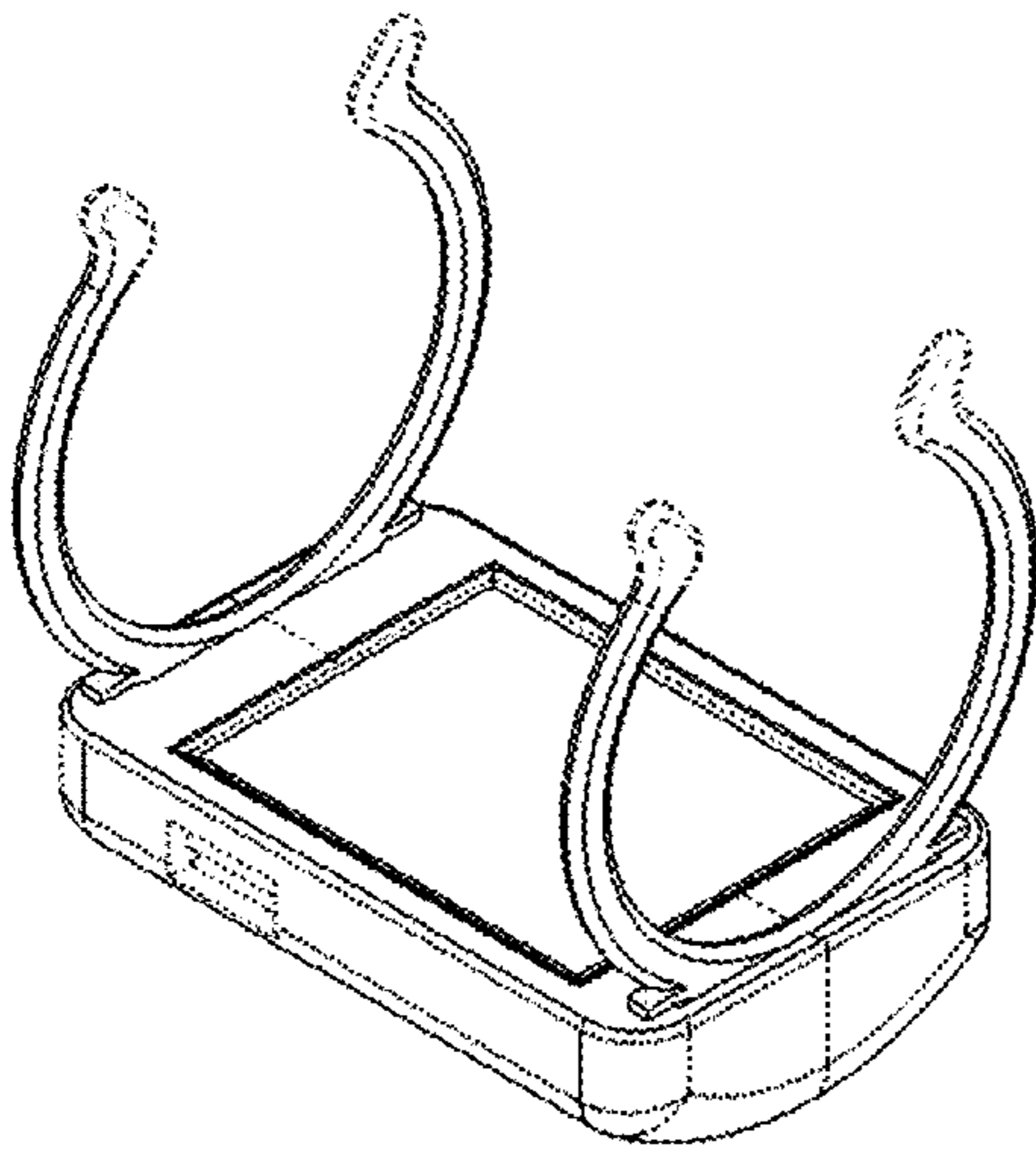
The ornamental design for a device, as shown and described.

**DESCRIPTION**

FIG. 1 is a bottom perspective view of a first implementation of a light enabled tracking device; and, FIG. 2 is a top perspective view of the first implementation of the light enabled tracking device.

The broken lines shown are included for the purpose of illustrating portions of the light enabled tracking device that form no part of the claim.

**1 Claim, 2 Drawing Sheets**



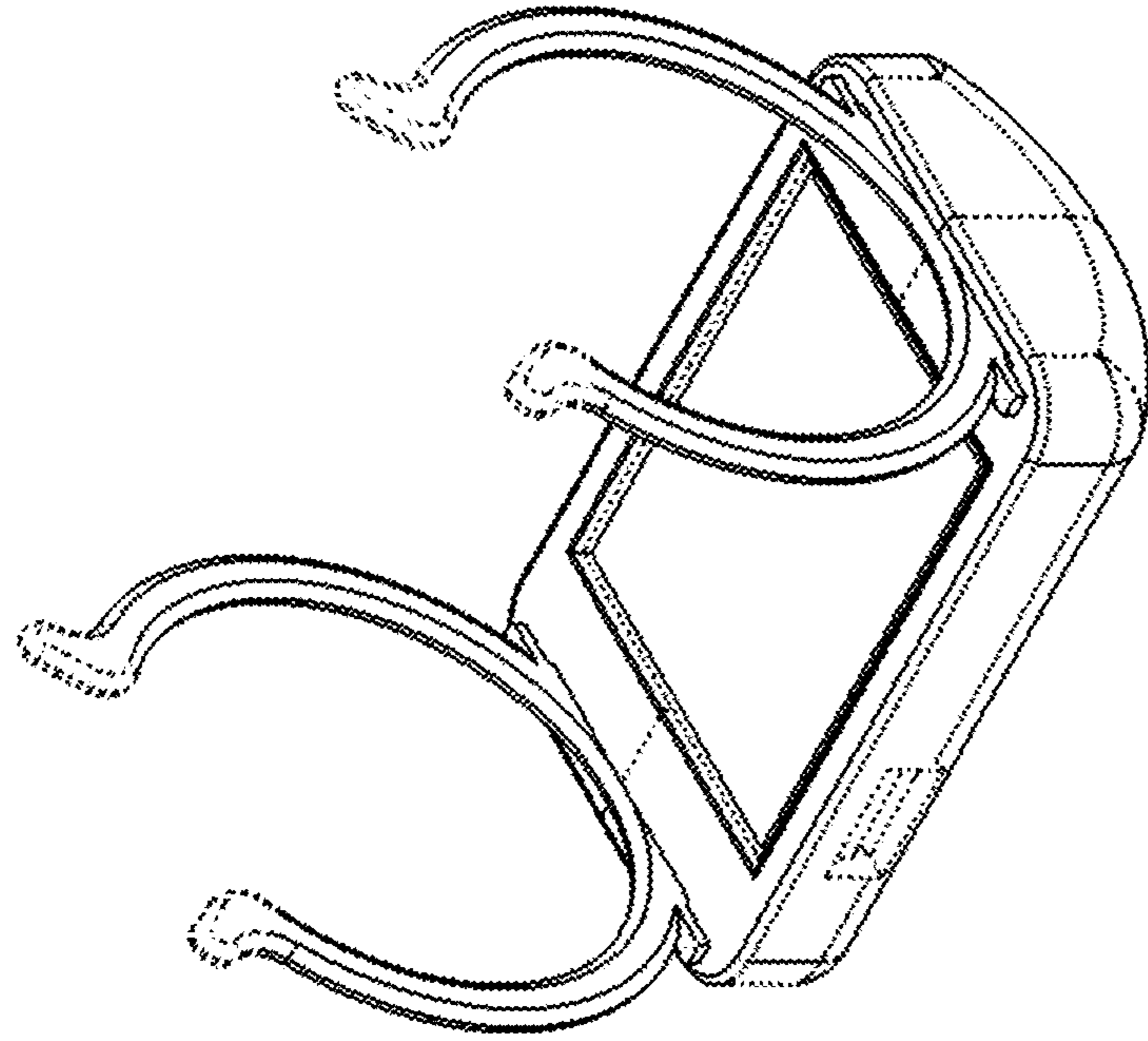


FIG. 1

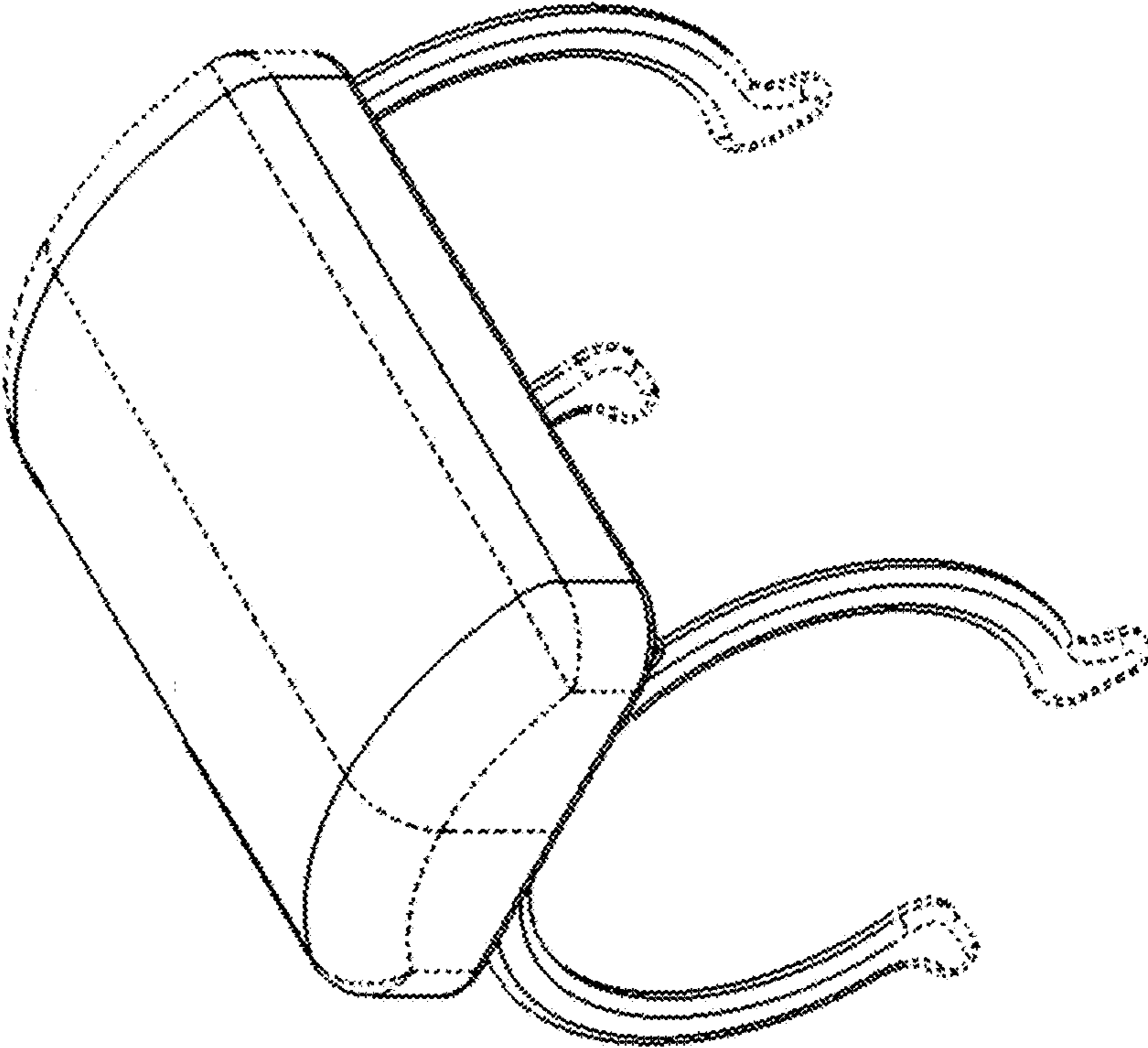


FIG. 2