



US00D779345S

(12) **United States Design Patent**
Jacob et al.

(10) **Patent No.:** **US D779,345 S**

(45) **Date of Patent:** **** Feb. 21, 2017**

(54) **BACKPLATE FOR HVAC CONTROL DEVICE**

(71) Applicant: **Google Inc.**, Mountain View, CA (US)

(72) Inventors: **Rochus Jacob**, San Francisco, CA (US); **Giancarlo Guistina**, San Francisco, CA (US); **Eric Daniels**, San Francisco, CA (US); **Anthony M. Fadell**, Woodside, CA (US)

(73) Assignee: **Google Inc.**, Mountain View, CA (US)

(**) Term: **15 Years**

(21) Appl. No.: **29/537,520**

(22) Filed: **Aug. 26, 2015**

(51) **LOC (10) Cl.** **10-04**

(52) **U.S. Cl.**
USPC **D10/50**

(58) **Field of Classification Search**
USPC D10/49, 50, 52, 53, 56, 60; D13/162, D13/162.1, 177
CPC H01H 2223/00; H01H 2223/002; H01H 2223/003; H01H 2223/004; H01H 2223/006
See application file for complete search history.

(56) **References Cited**

U.S. PATENT DOCUMENTS

D660,732 S * 5/2012 Bould D10/49
D699,598 S * 2/2014 Bould D10/51

D700,075 S * 2/2014 Bould D10/49
D722,072 S * 2/2015 Sloo D14/486
D725,524 S * 3/2015 Takach D10/50
D741,539 S * 10/2015 Gettings D10/60
D750,980 S * 3/2016 Takach D10/50
2013/0292481 A1* 11/2013 Filson G05D 23/1902
236/1 C

* cited by examiner

Primary Examiner — Antoine D Davis

(74) *Attorney, Agent, or Firm* — Kilpatrick Townsend & Stockton LLP

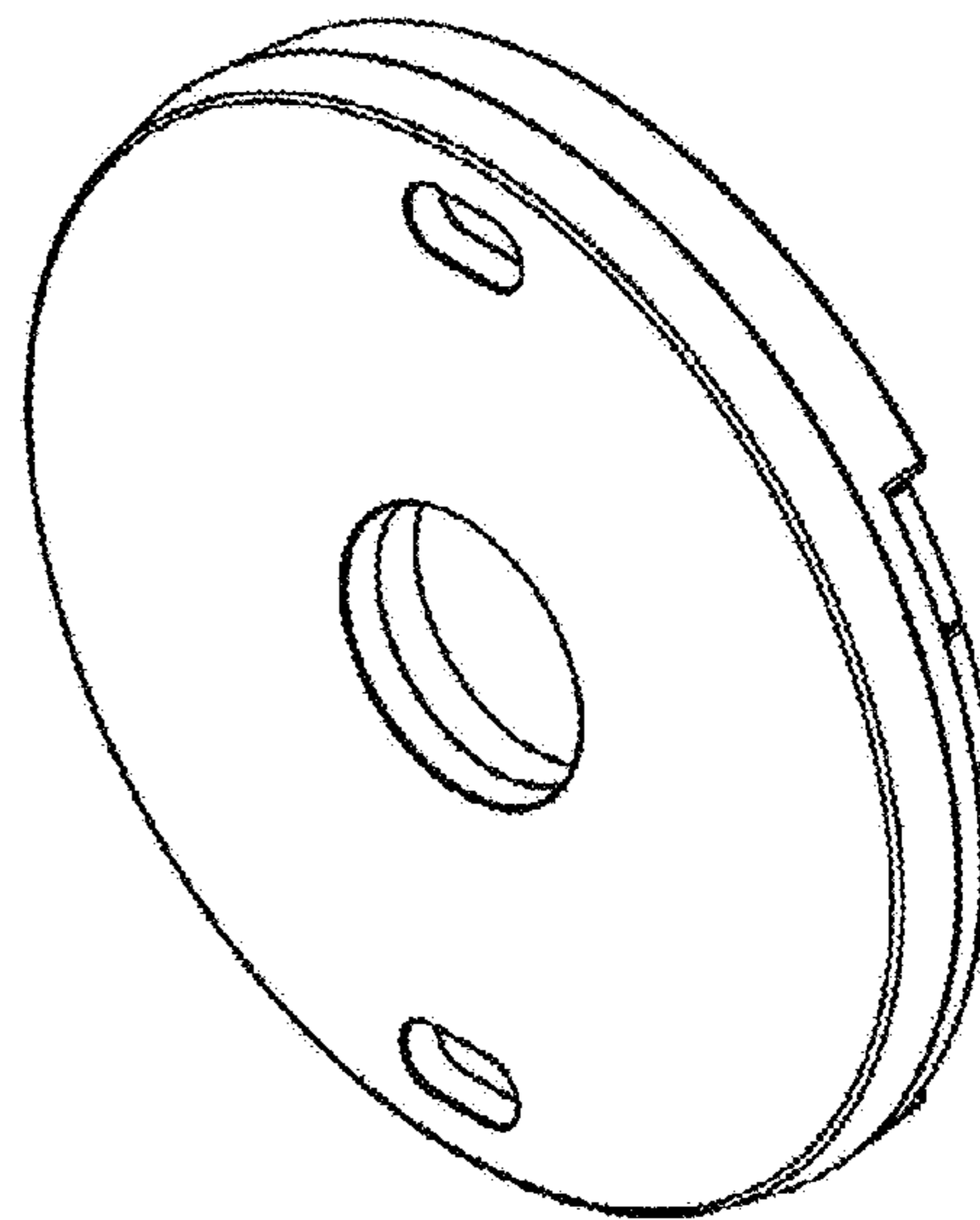
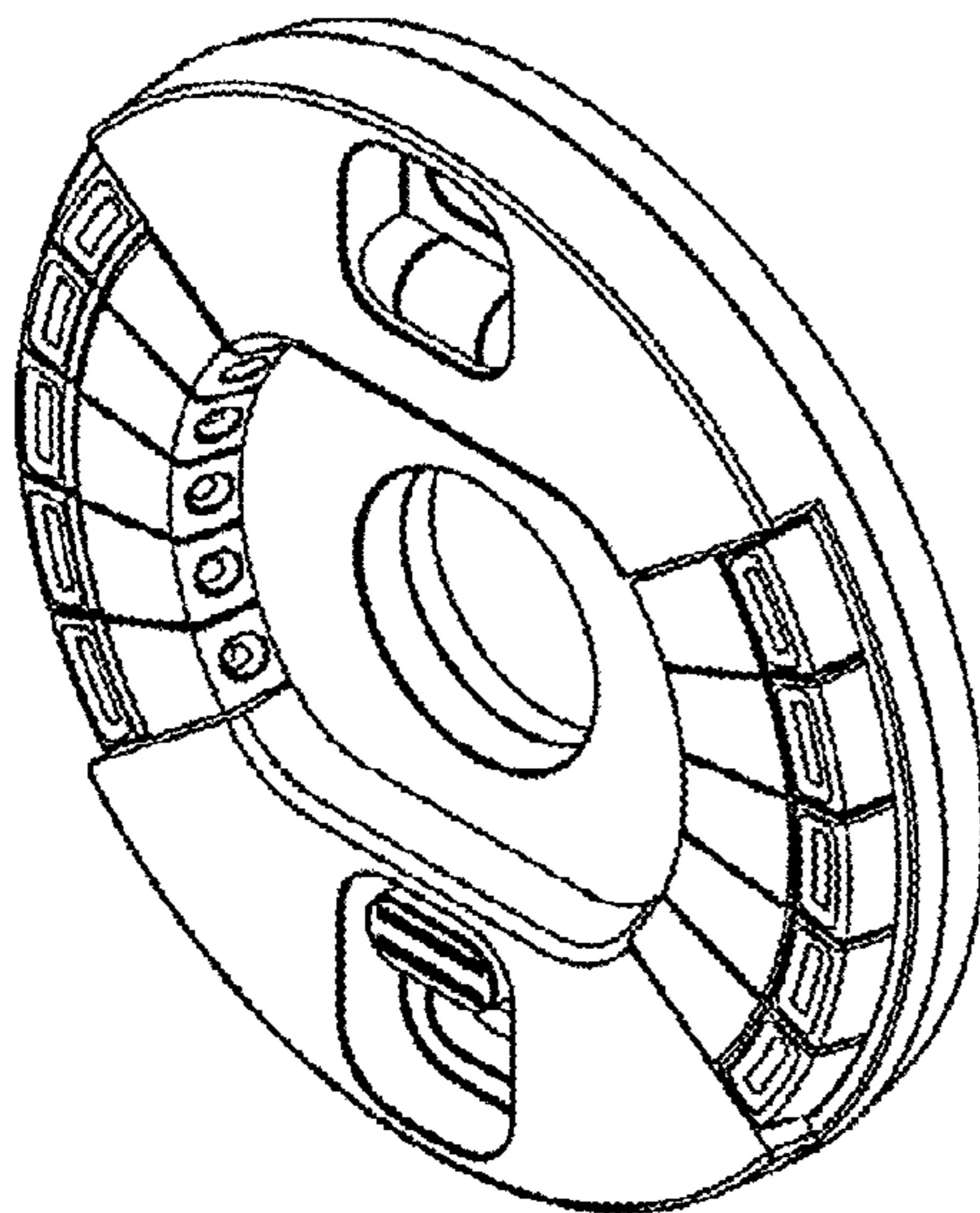
(57) **CLAIM**

The ornamental design for a backplate for an HVAC control device, as shown and described.

DESCRIPTION

FIG. 1 is a front view of a backplate for an HVAC control device;
FIG. 2 is a front perspective view of the backplate for an HVAC control device of FIG. 1; and,
FIG. 3 is a rear perspective view of the backplate for an HVAC control device of FIG. 1.
The portions illustrated in broken lines on the figures are for illustrative purposes only and form no part of the claimed design.

1 Claim, 1 Drawing Sheet



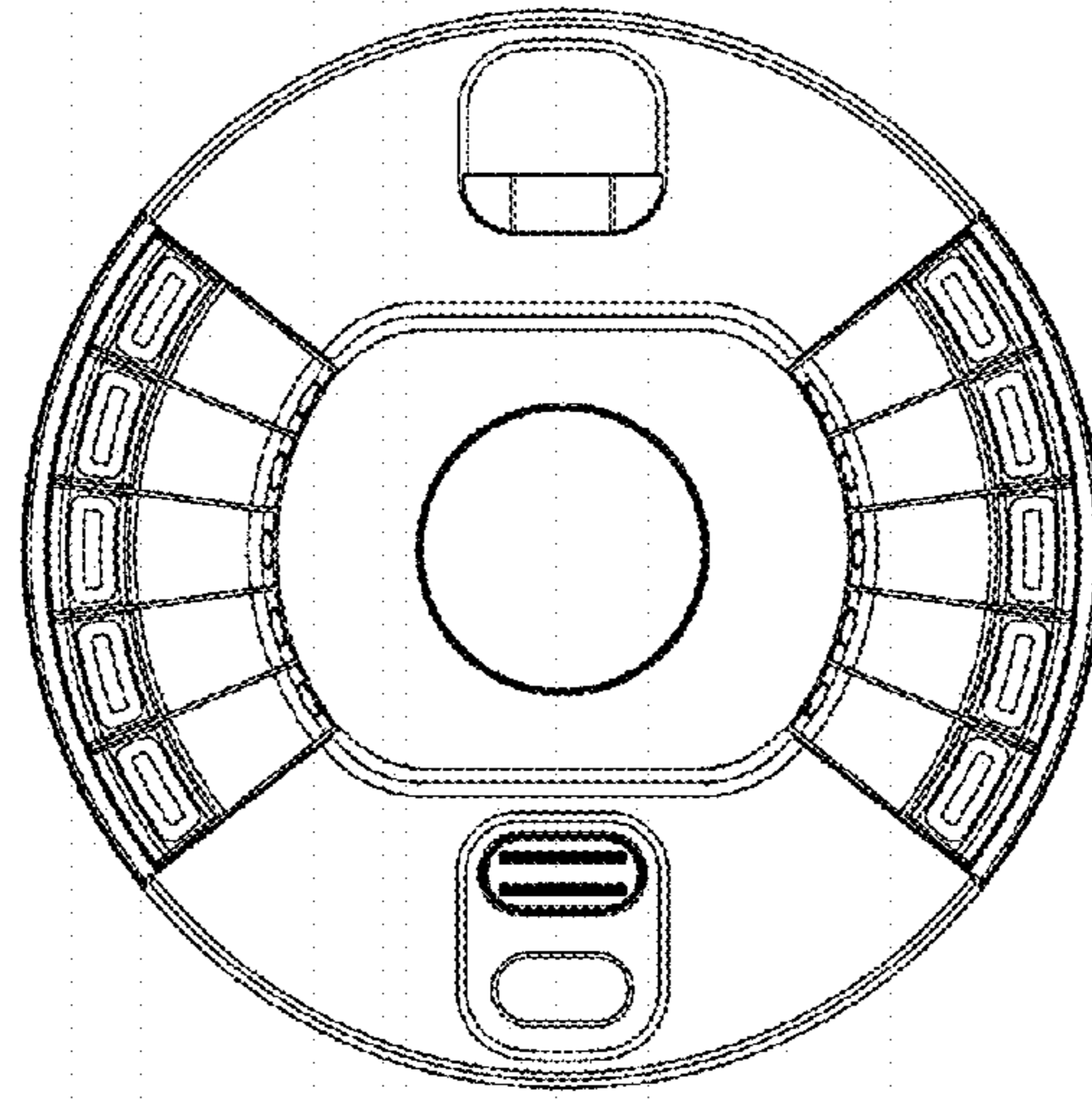


FIG. 1

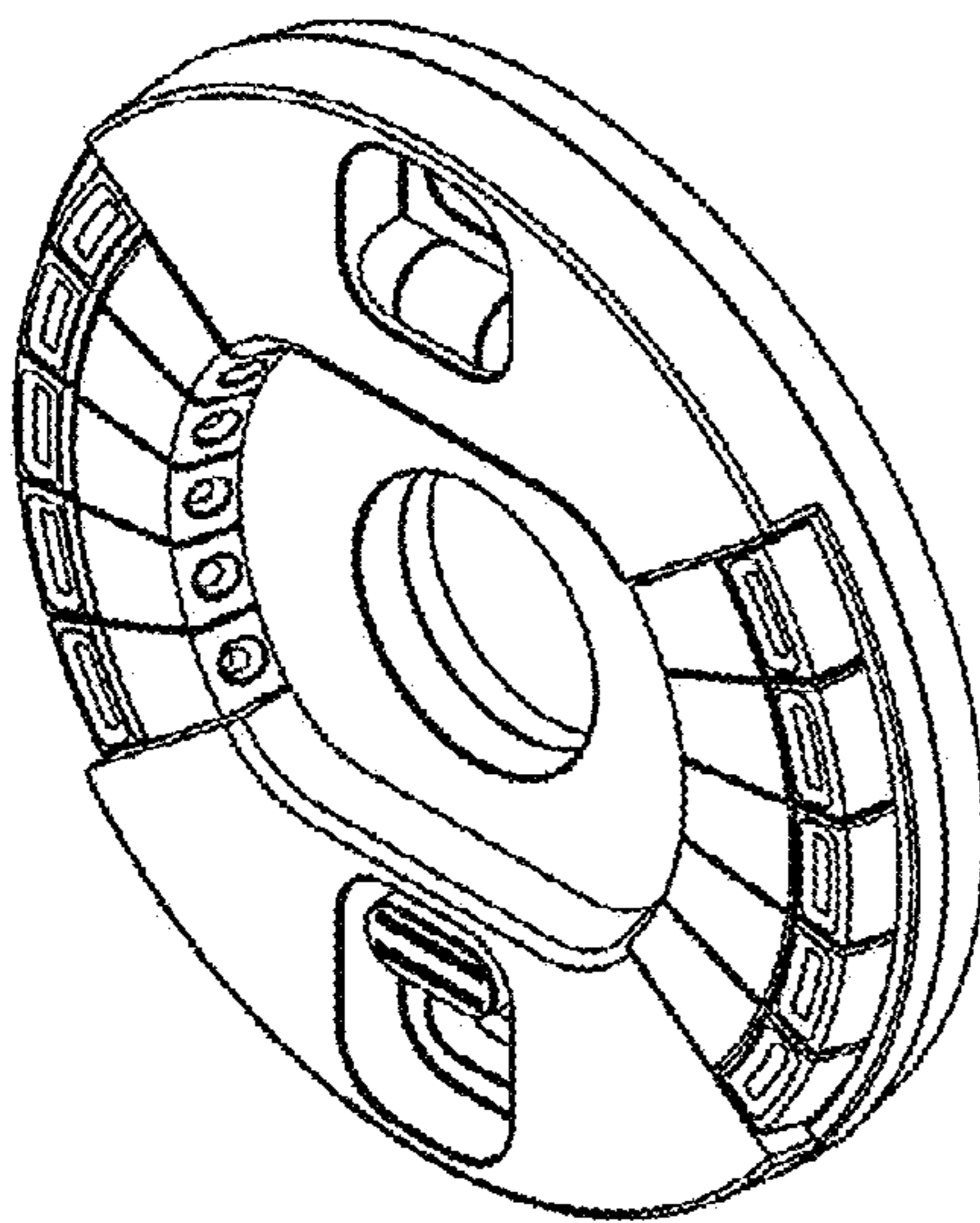


FIG. 2

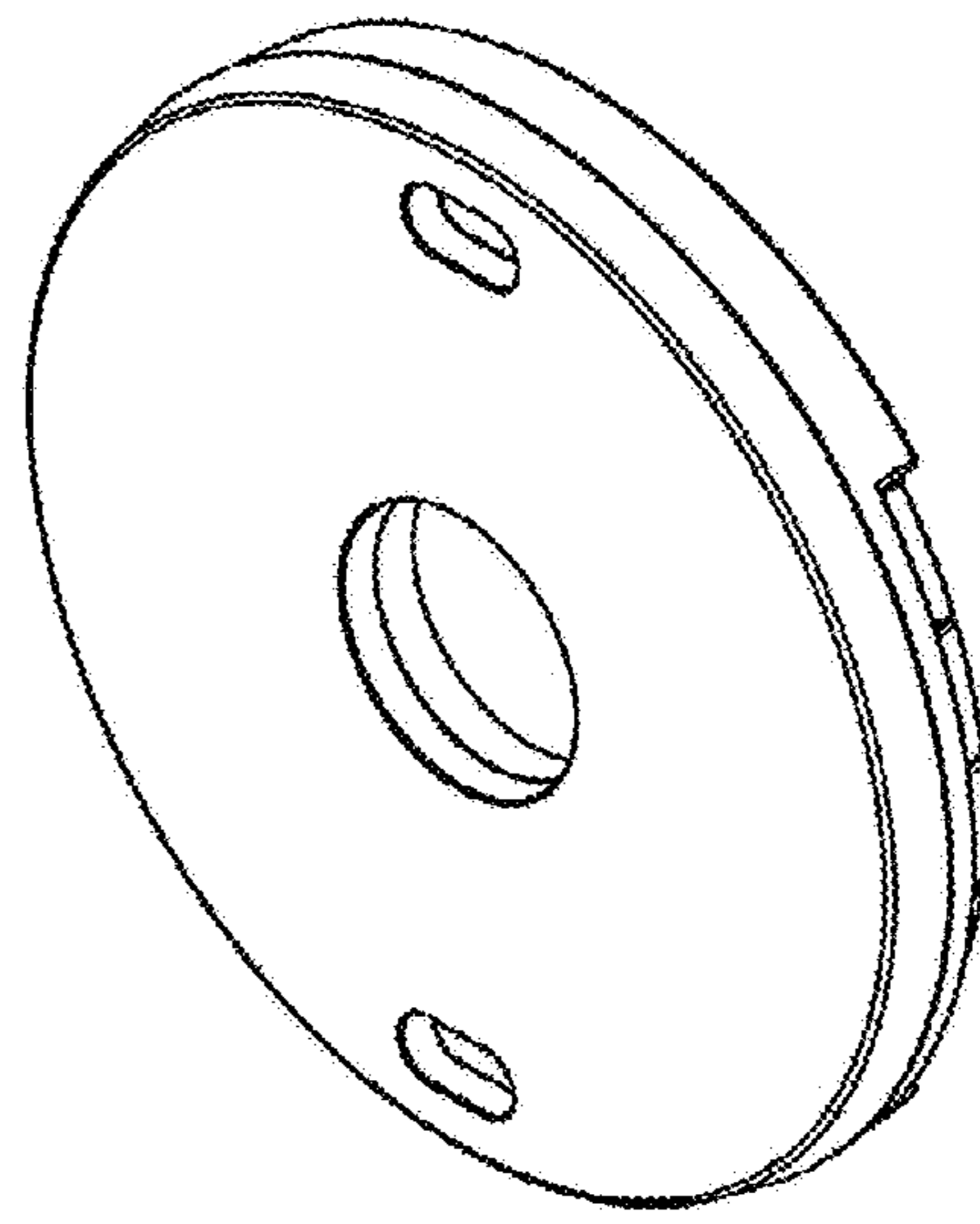


FIG. 3