



US00D779344S

(12) **United States Design Patent**
Jiang et al.

(10) **Patent No.:** **US D779,344 S**
(45) **Date of Patent:** **** Feb. 21, 2017**

- (54) **TUBE LIGHT AGING EQUIPMENT**
- (71) Applicant: **JIAXING SUPER LIGHTING ELECTRIC APPLIANCE CO., LTD,**
Jiaxing (CN)
- (72) Inventors: **Tao Jiang,** Jiaxing (CN); **Zhang-Yong Xiang,** Jiaxing (CN)
- (73) Assignee: **JIAXING SUPER LIGHTING ELECTRIC APPLIANCE CO., LTD,**
Jiaxing (CN)
- (**) Term: **14 Years**
- (21) Appl. No.: **29/522,570**
- (22) Filed: **Mar. 31, 2015**
- (30) **Foreign Application Priority Data**

- Dec. 12, 2014 (CN) 2014 3 0522019
- (51) **LOC (10) Cl.** **10-04**
- (52) **U.S. Cl.**
USPC **D10/47**
- (58) **Field of Classification Search**
USPC D10/47
CPC G01N 17/004
See application file for complete search history.

(56) **References Cited**

U.S. PATENT DOCUMENTS

- 6,533,452 B1 * 3/2003 Hardcastle, III G01N 17/00
374/5
- 7,454,990 B2 * 11/2008 Hardcastle, III G01N 17/004
250/492.1
- D616,313 S * 5/2010 Yu D10/47

* cited by examiner

Primary Examiner — Antoine D Davis
(74) *Attorney, Agent, or Firm* — Ding Yu Tan

(57) **CLAIM**

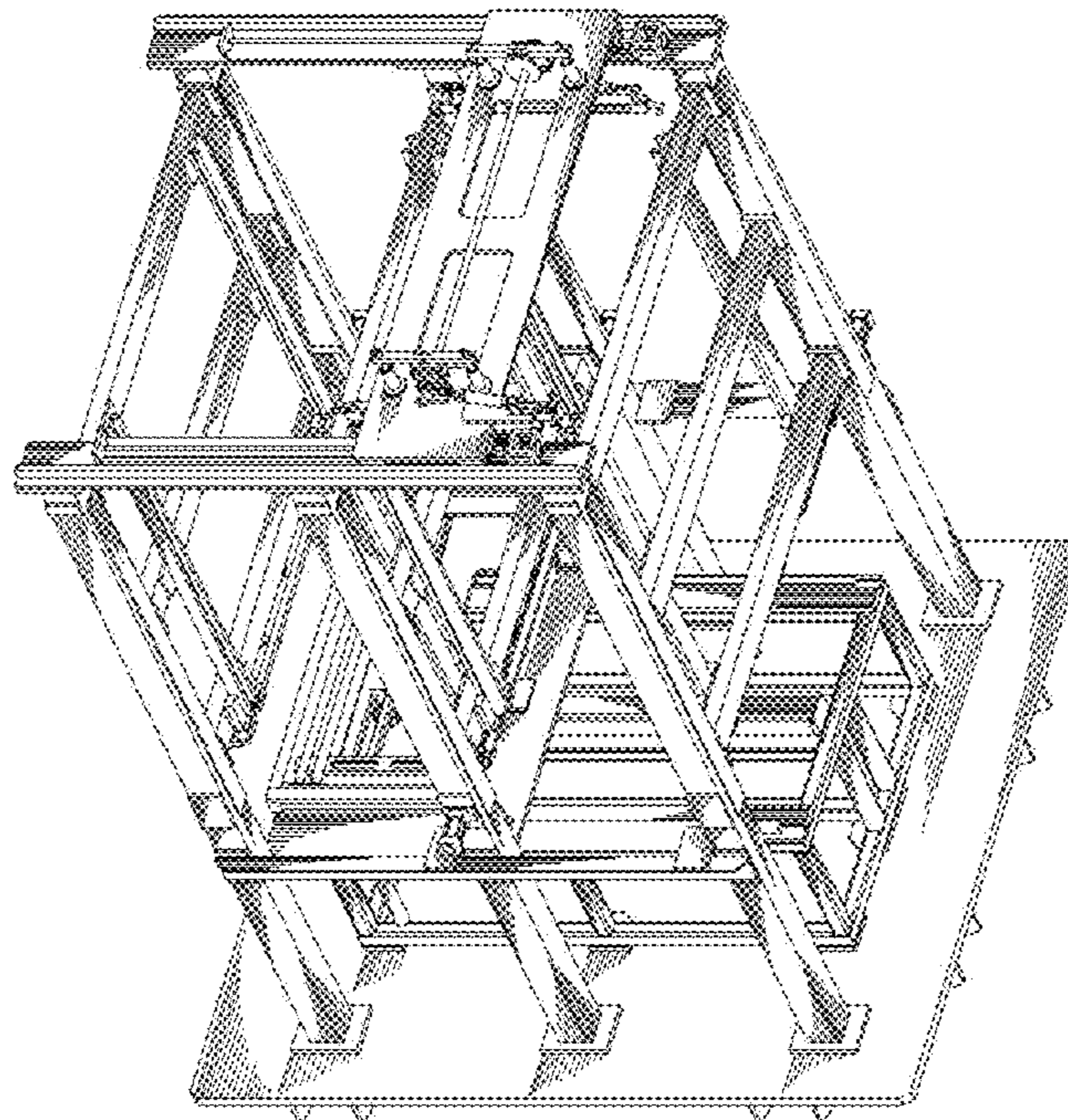
The ornamental design for a tube light aging equipment, as shown and described.

DESCRIPTION

FIG. 1 is a top plan view of a tube light aging test equipment showing my new design; FIG. 2 is a bottom plan view thereof; FIG. 3 is a left side elevational view thereof; FIG. 4 is a right side elevational view thereof; FIG. 5 is a front elevational view thereof; and FIG. 6 is a rear elevational view thereof; and, FIG. 7 is a perspective view thereof.

The shade lines (straight solid lines) in the figures show surface contour but not surface ornamentation. The broken lines are environmental and form no part of the claimed design. One novel design feature of the present invention is that the tube light aging test equipment of present invention is vertically-configured or upright structured, which thereby is different from conventional tube light aging test equipments that are horizontally configured and structured to occupy a significant amount of floor space or footprint; thus, the tube light aging test equipment of present invention does not occupy significant amount of floor space or footprint, and at the same time is also aesthetically pleasing as a whole. The tube light aging test equipment can be used for testing aging quality of a plurality of tube lights that are spatially and stackingly arranged and hung in the tube light aging test equipment as shown in both front elevation view and rear elevation view as broken line circular structures.

1 Claim, 7 Drawing Sheets



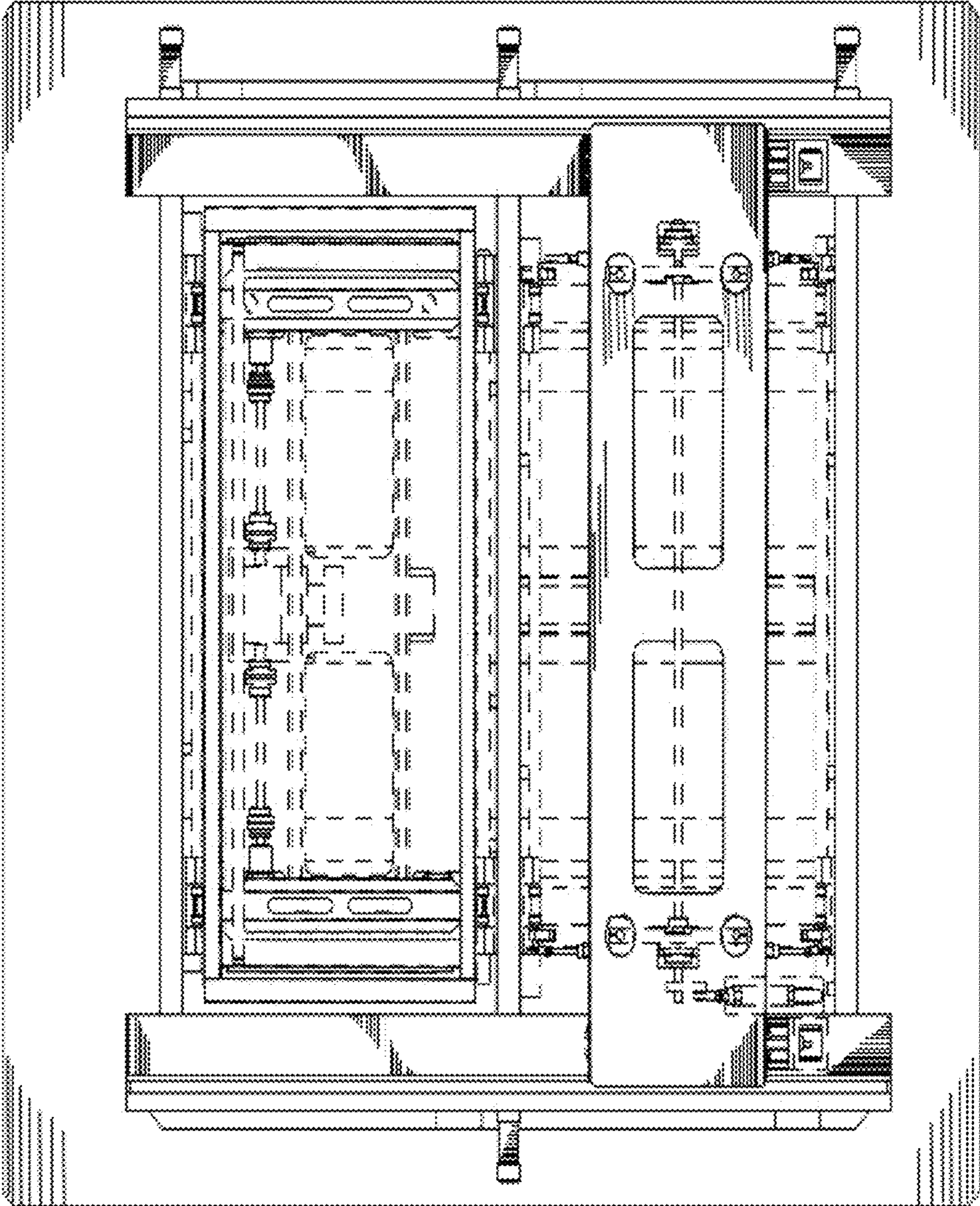


FIG. 1

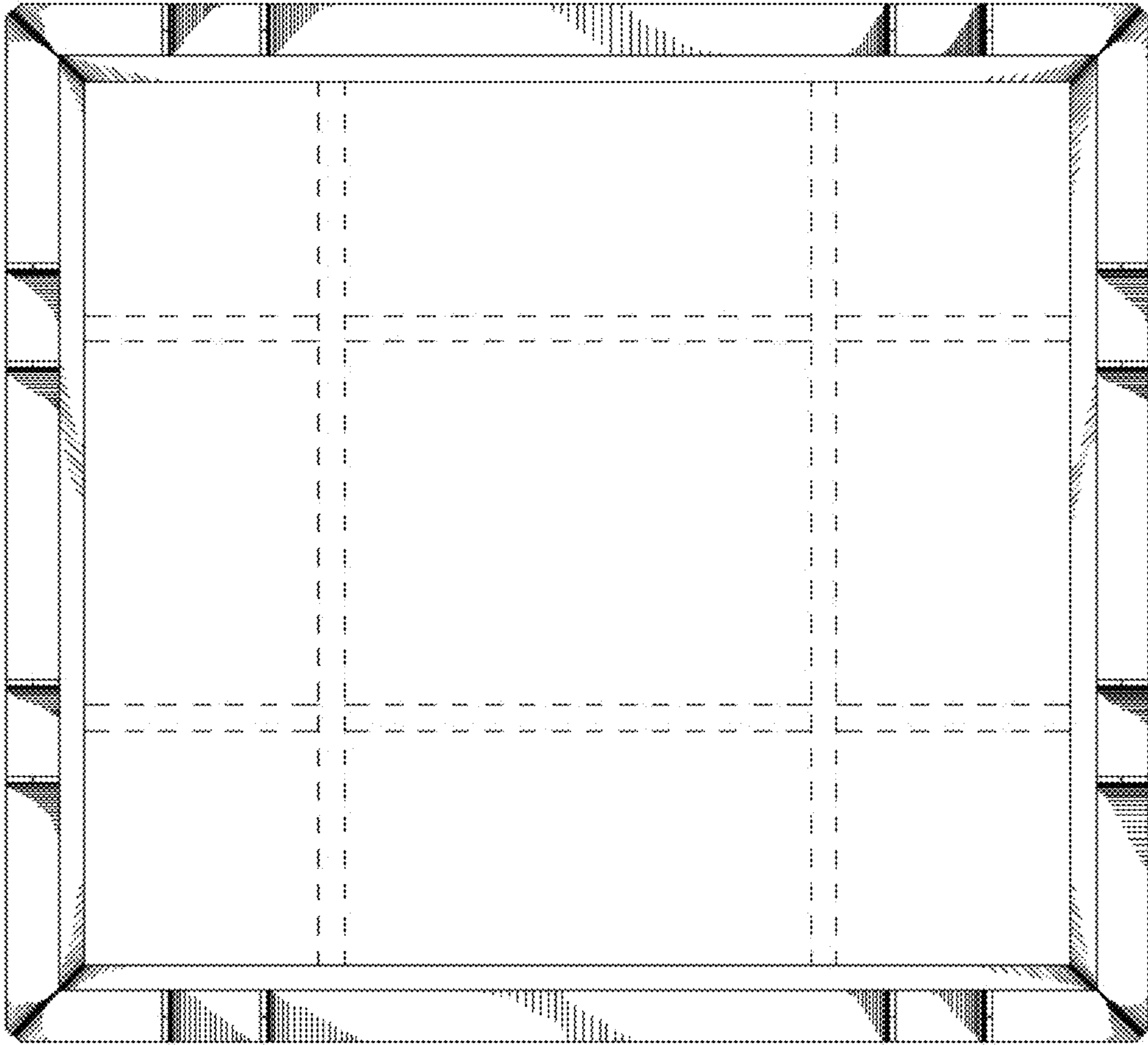


FIG.2

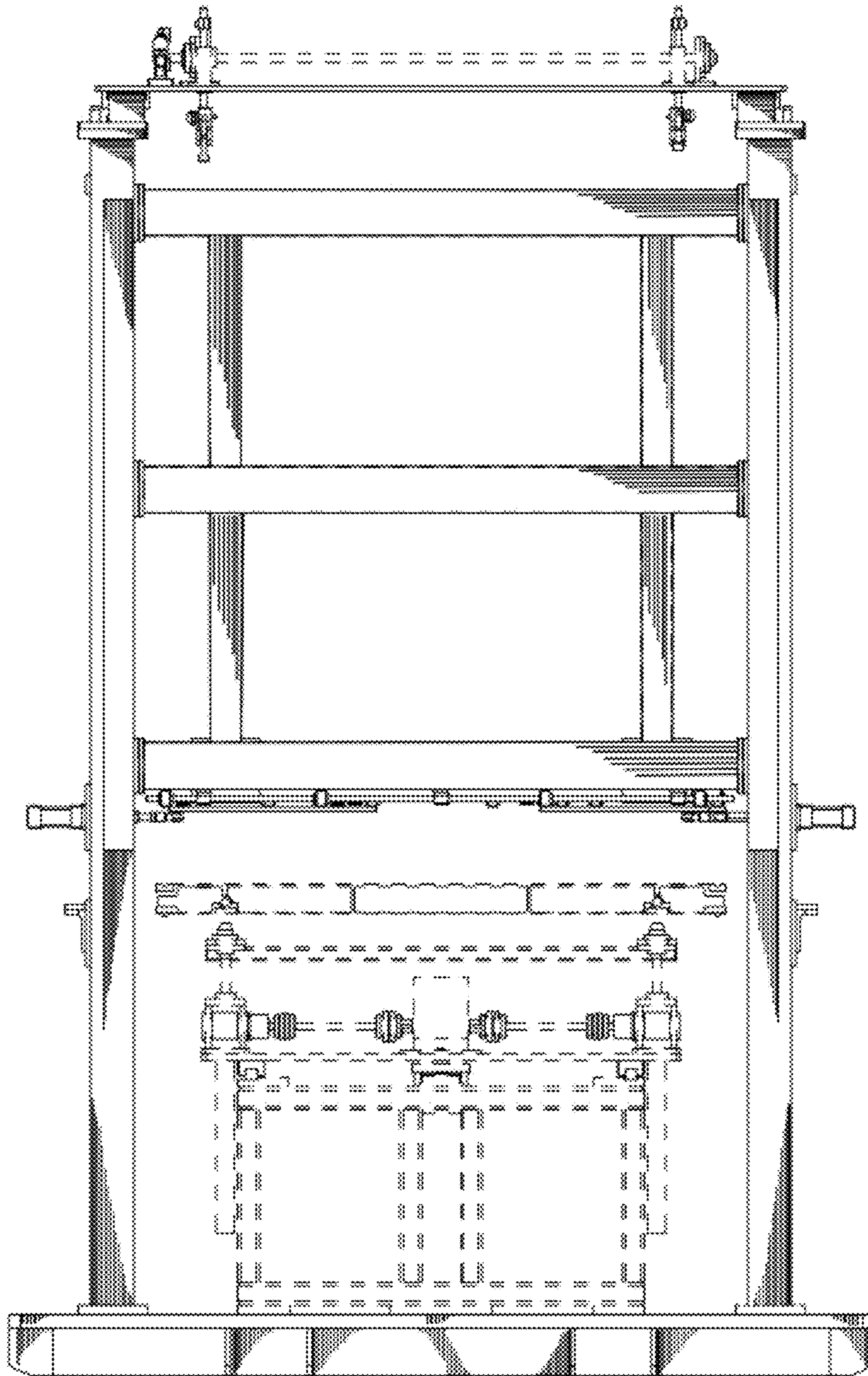


FIG.3

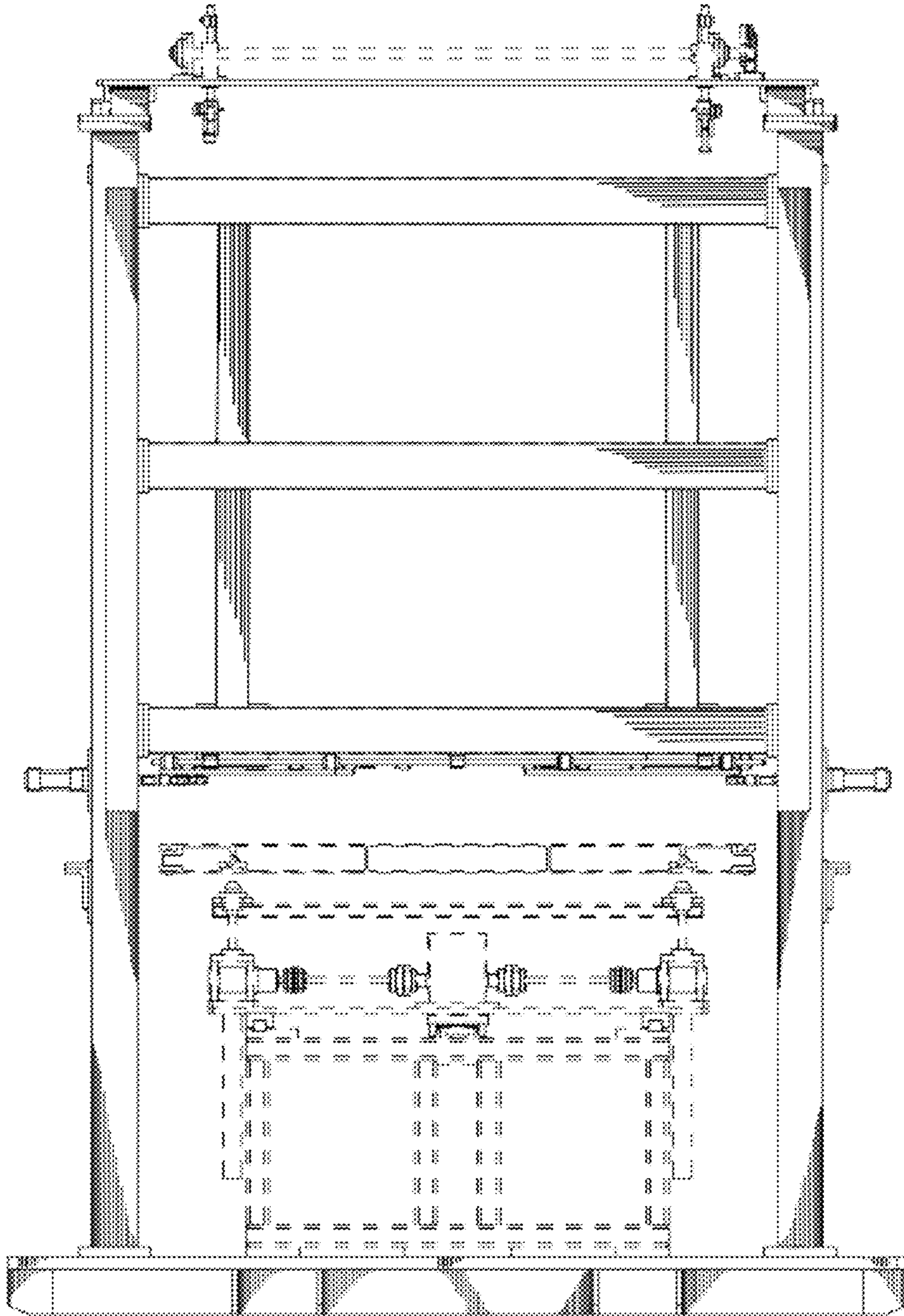


FIG. 4

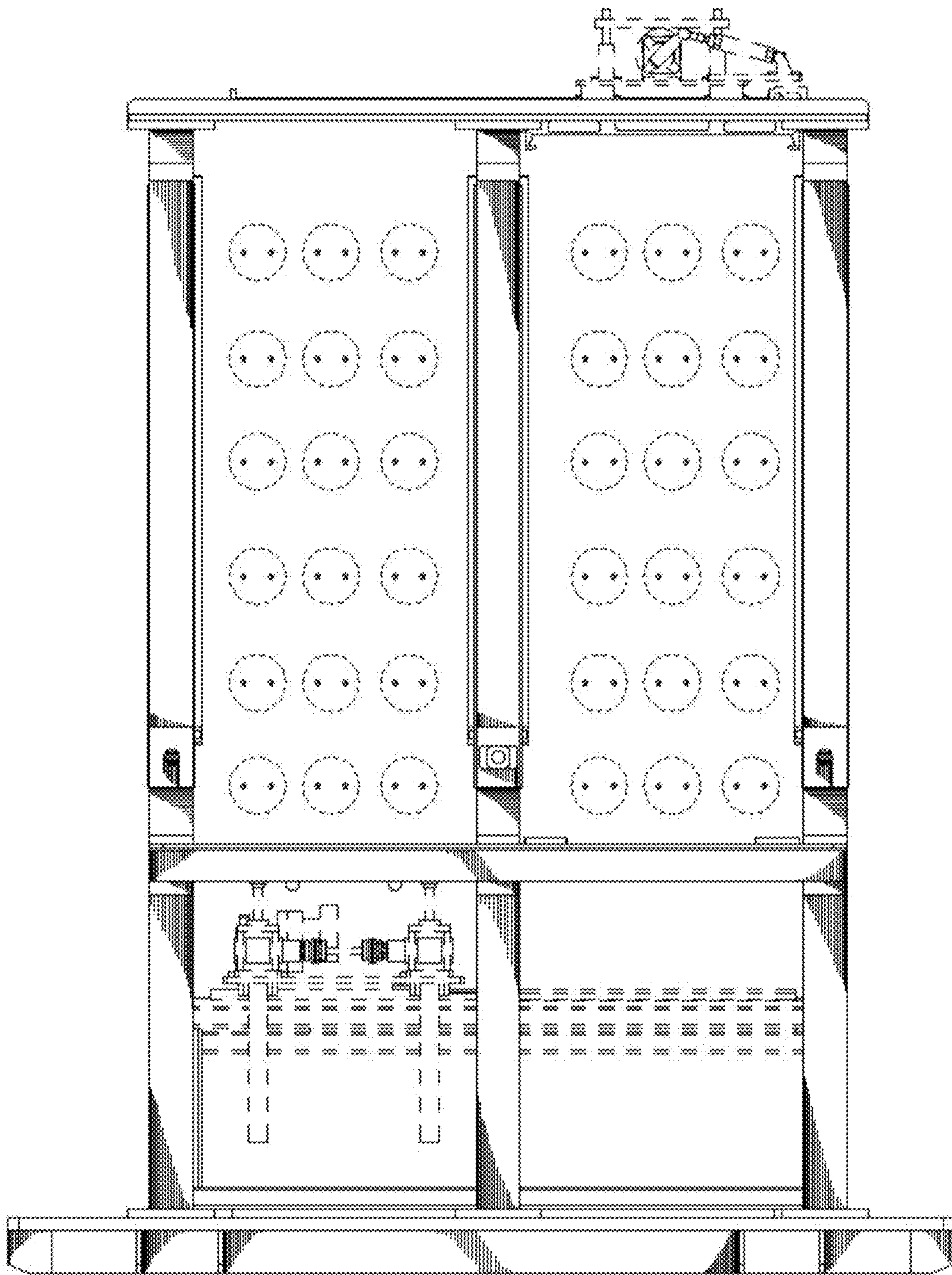


FIG.5

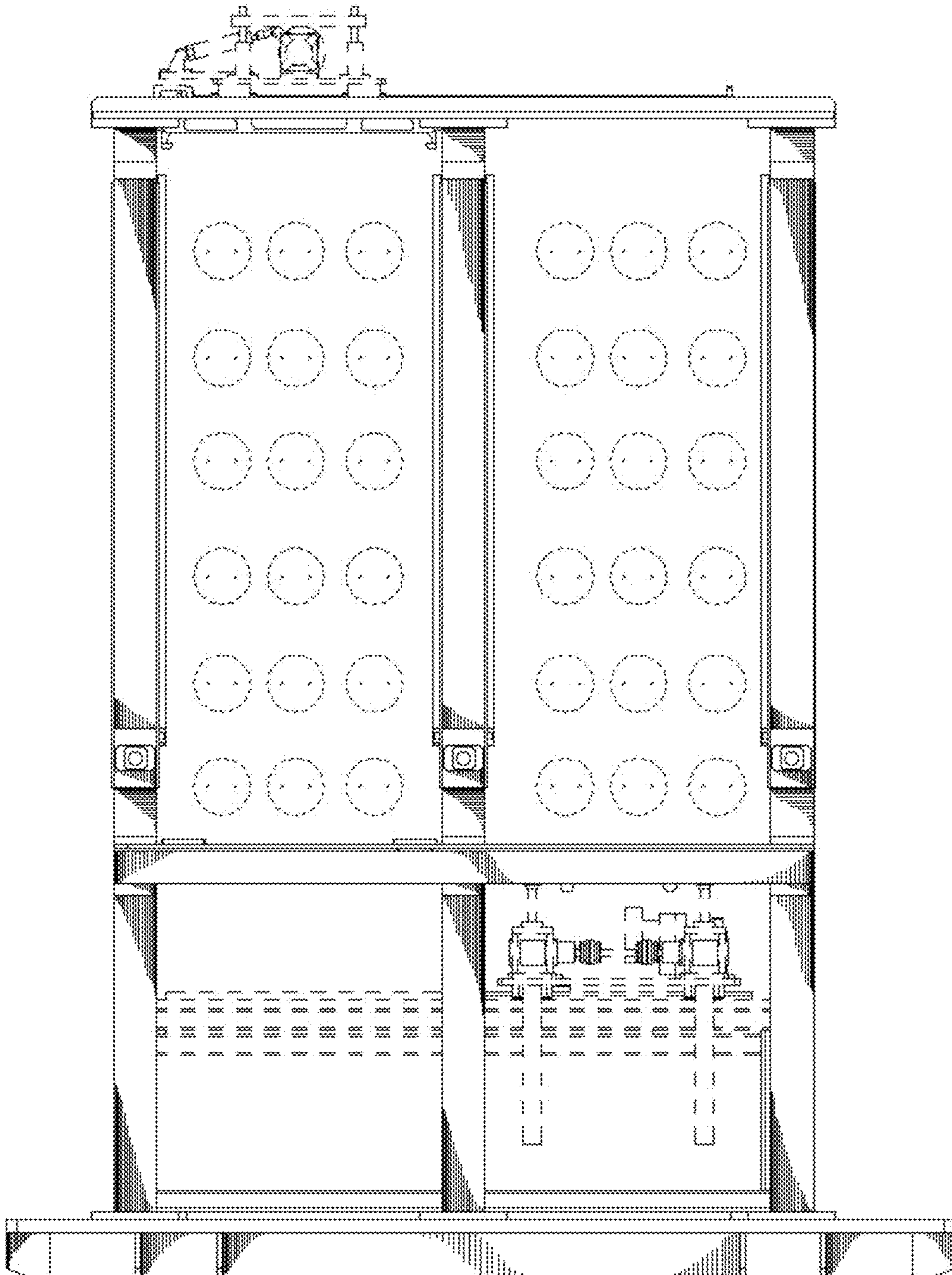


FIG.6

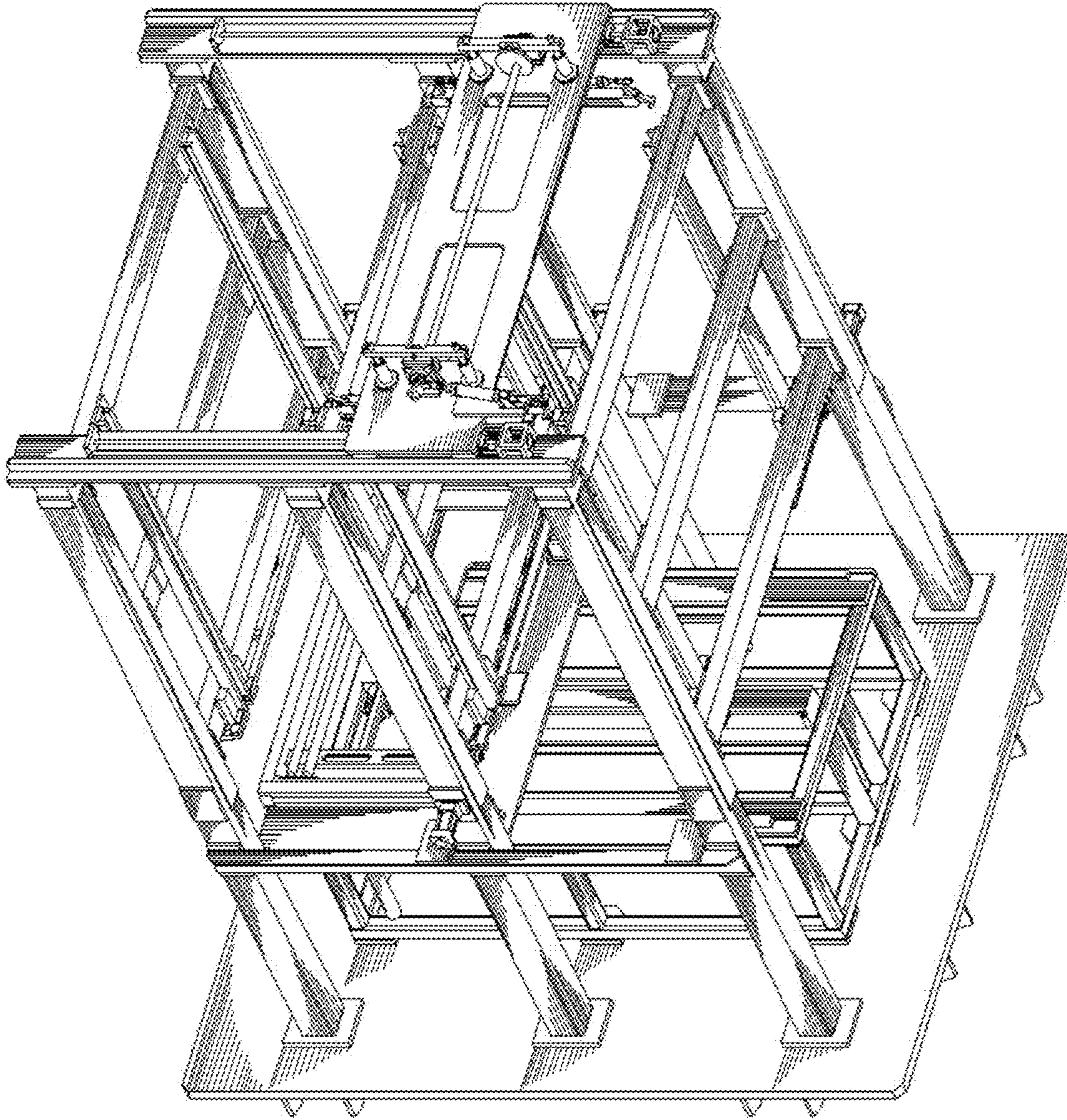


FIG.7