



US00D779343S

(12) **United States Design Patent** (10) **Patent No.:** **US D779,343 S**  
**Ericksen et al.** (45) **Date of Patent:** **\*\* \*Feb. 21, 2017**

(54) **TIMER**

(71) Applicant: **Orbit Irrigation Products, Inc.**, North Salt Lake, UT (US)  
(72) Inventors: **Kent C. Ericksen**, Centerville, UT (US); **Karl L. Connolly**, Bountiful, UT (US); **Jeffrey C. Thurgood**, Severance, CO (US); **Andrew Mark Urry**, Herriman, UT (US); **Amy Marie Yamasaki**, Fruit Heights, UT (US); **Hugo Rodriguez**, South Salt Lake, UT (US)

(73) Assignee: **Orbit Irrigation Products, Inc.**, North Salt Lake, UT (US)

(\*) Notice: This patent is subject to a terminal disclaimer.

(\*\*) Term: **15 Years**

(21) Appl. No.: **29/527,487**

(22) Filed: **May 19, 2015**

(51) **LOC (10) Cl.** ..... **10-03**

(52) **U.S. Cl.**  
USPC ..... **D10/40**

(58) **Field of Classification Search**  
USPC ..... D10/2, 15, 20, 24, 40, 41, 46.1, 47, 50, D10/51, 60, 74, 126; D16/206, 214, 235, D16/238, 250; D23/245, 246

(Continued)

(56) **References Cited**

**U.S. PATENT DOCUMENTS**

D174,973 S \* 6/1955 Williams ..... D16/238  
D185,885 S \* 8/1959 Kawa et al. .... D16/238

(Continued)

**OTHER PUBLICATIONS**

“1-Outlet Hose Faucet Timer.” First comment: Apr. 4, 2015. Home Depot. <http://www.homedepot.com/p/Orbit-1-Outlet-Hose-Faucet-Timer-56619/205585027>.\*

(Continued)

*Primary Examiner* — Manpreet Matharu  
*Assistant Examiner* — Suzanne Tisdell  
(74) *Attorney, Agent, or Firm* — Austin Rapp & Hardman

(57) **CLAIM**

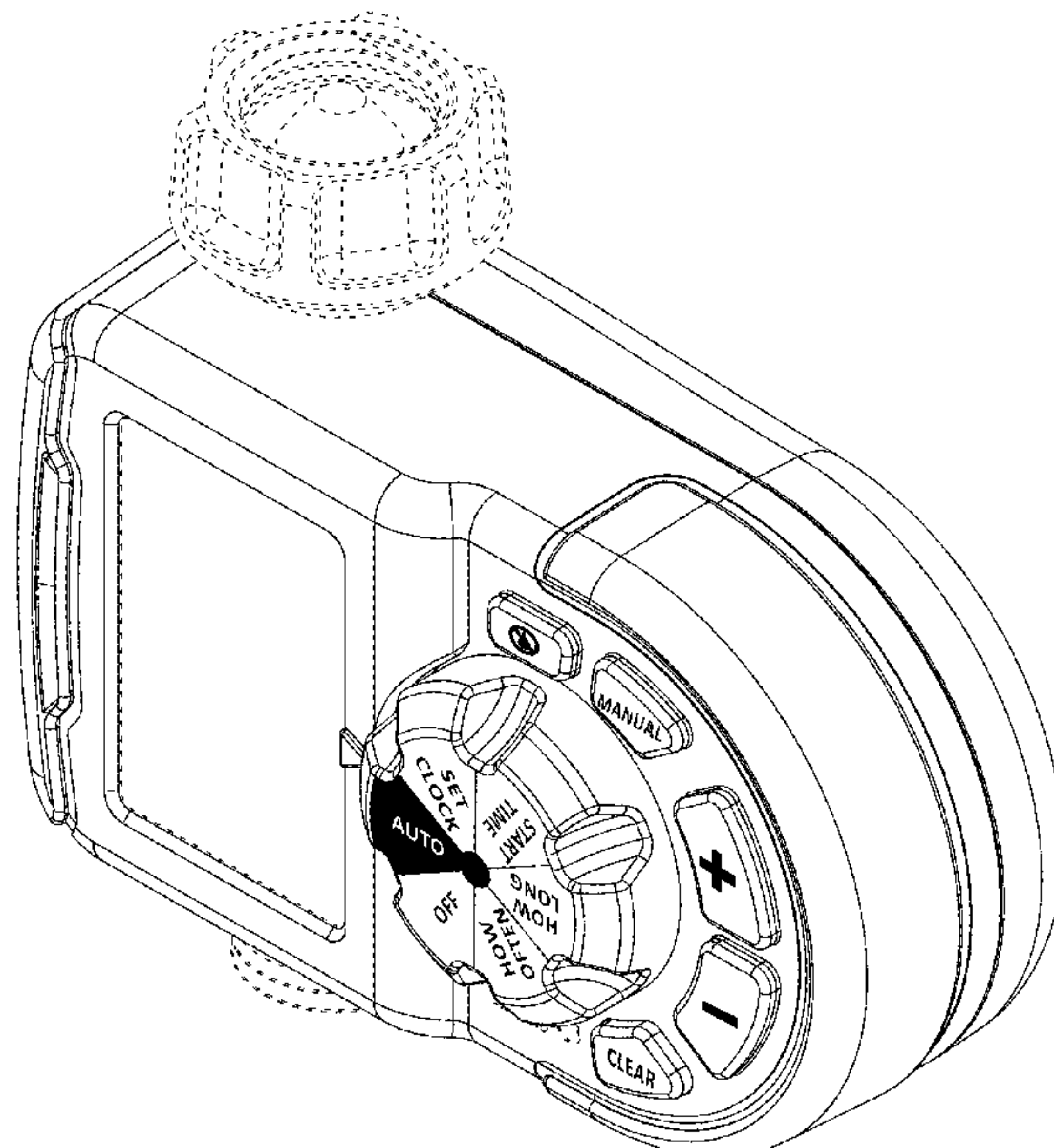
The ornamental design for a timer, as shown and described.

**DESCRIPTION**

FIG. 1 is an elevated front perspective view of a timer, according to our new design;  
FIG. 2 is an elevated rear perspective view of the timer shown in FIG. 1;  
FIG. 3 is a front view of the timer shown in FIG. 1;  
FIG. 4 is a rear view of the timer shown in FIG. 1;  
FIG. 5 is a top view of the timer shown in FIG. 1;  
FIG. 6 is a bottom view of the timer shown in FIG. 1;  
FIG. 7 is a first side view of the timer shown in FIG. 1;  
FIG. 8 is a second side view of the timer shown in FIG. 1;  
FIG. 9 is a front view of the timer shown in FIG. 1 in a first alternative position;  
FIG. 10 is a front view of the timer shown in FIG. 1 in a second alternative position;  
FIG. 11 is a front view of the timer shown in FIG. 1 in a third alternative position;  
FIG. 12 is a front view of the timer shown in FIG. 1 in a fourth alternative position; and,  
FIG. 13 is a front view of the timer shown in FIG. 1 in a fifth alternative position.

The portions of the figures shown in broken lines are unclaimed. Any empty region surrounded by broken lines is also unclaimed, inclusive of the broken line itself.

**1 Claim, 13 Drawing Sheets**





(58) **Field of Classification Search**  
 CPC ..... B05B 12/02; G01F 11/30; G05D 11/00  
 See application file for complete search history.

(56) **References Cited**

U.S. PATENT DOCUMENTS

D523,888	S	*	6/2006	Funakoshi	.....	D16/202
D559,708	S	*	1/2008	Michael	.....	D10/40
D567,681	S	*	4/2008	Michael	.....	D10/40
D604,183	S	*	11/2009	Zore	.....	D10/40
D658,519	S		5/2012	Connolly et al.		
D659,029	S		5/2012	Connolly et al.		
D682,715	S	*	5/2013	Wang	.....	D10/122
D691,243	S	*	10/2013	Meyer	.....	D23/245
D702,566	S	*	4/2014	Chandran	.....	D10/10
D720,431	S	*	12/2014	Michael	.....	D10/40
D722,895	S	*	2/2015	Chandran	.....	D10/40
D734,180	S	*	7/2015	Benichou	.....	D10/50
2002/0066878	A1	*	6/2002	Wang	.....	A01G 25/165 251/249
2006/0011243	A1	*	1/2006	Jacobs	.....	F16K 31/48 137/624.11
2010/0163126	A1	*	7/2010	Leer	.....	A01G 25/165 137/624.11
2015/0061546	A1	*	3/2015	Stack	.....	G04G 15/006 315/360

OTHER PUBLICATIONS

“Sandals and Soaker Hoses.” Posted: Jun. 26, 2014. Pickles 2 Pushups. [http://kphornerd.weebly.com/home/sandals-and-soaker-hoses.\\*](http://kphornerd.weebly.com/home/sandals-and-soaker-hoses.*)

“Orbit Irrigation Products 58911.” Added: Oct. 29, 2016. Sears. [http://www.sears.com/orbit-irrigation-products-inc-58911-yard-watering-system/p-SPM8492350211?prdNo=7&blockNo=7&blockType=G7.\\*](http://www.sears.com/orbit-irrigation-products-inc-58911-yard-watering-system/p-SPM8492350211?prdNo=7&blockNo=7&blockType=G7.*)

U.S. Appl. No. 29/527,488, filed May 19, 2015, Kent C. Erickson et al.

U.S. Appl. No. 29/527,490, filed May 19, 2015, Kent C. Erickson et al.

Orbit Irrigation Products, Inc., The product(s) shown in attachment 1 were sold or offered for sale by Orbit Irrigation Products, Inc., on or before Nov. 2008.

Robert Bosch Tool Corporation, The product(s) shown in attachment 2 were sold or offered for sale by Robert Bosch Tool Corporation under the brand name Nelson on or before Mar. 19, 2013.

Melnor, Inc., The product(s) shown in attachment 3 were sold or offered for sale by Melnor, Inc., on or before Mar. 19, 2013.

Melnor, Inc., AquaTimers, Web page retrieved on Jun. 17, 2013, apparently published on or before Feb. 10, 2012, [web.archive.org/web/20120210191541/http://www.melnor.com/products-aquatimers.php](http://web.archive.org/web/20120210191541/http://www.melnor.com/products-aquatimers.php).

Melnor, Inc., AquaTimers, Web page retrieved on Jun. 17, 2013, apparently published on or before Jun. 24, 2012, [web.archive.org/web/20120624233645/http://www.melnor.com/products-aquatimers.php](http://web.archive.org/web/20120624233645/http://www.melnor.com/products-aquatimers.php).

Robert Bosch Tool Corporation, Nelson, Web page retrieved on Jun. 17, 2013, apparently published on or before Mar. 27, 2012, [web.archive.org/web/20120327000229/http://www.lrnelson.com/products/water-conservation2/water-timers/](http://web.archive.org/web/20120327000229/http://www.lrnelson.com/products/water-conservation2/water-timers/).

Robert Bosch Tool Corporation, Nelson, Web page retrieved on Jun. 17, 2013, apparently published on or before Jul. 9, 2012, [web.archive.org/web/20120709203520/http://www.lrnelson.com/products/water-conservation2/water-timers/](http://web.archive.org/web/20120709203520/http://www.lrnelson.com/products/water-conservation2/water-timers/).

Rain Bird Corporation, the product(s) shown in attachment 8 was sold or offered for sale by Rain Bird Corporation at least by Mar. 19, 2012.

Orbit Irrigation Products, Inc., the product(s) shown in attachment 9 were sold or offered for sale by Orbit Irrigation Products, Inc., at least by Mar. 19, 2012.

Orbit Irrigation Products, Inc., the product shown in attachment 10 was sold or offered for sale by Orbit Irrigation Products, Inc., at least by Mar. 19, 2012.

Orbit Irrigation Products, Inc., 2014 Hose Faucet Timers, the items shown in Attachment 11 were disclosed and may have been offered for sale in a private meeting on Mar. 13, 2013.

Orbit Irrigation Products, Inc., the products shown in attachment 12 (identified as product Nos. 24600, 24713, 24723) were sold or offered for sale to the public on or before May 1, 2015.

Orbit Irrigation Products, Inc., Lowes Hose End 2014 Product Review, the items shown in Attachment 13 were disclosed and may have been offered for sale in a private meeting on Jun. 11, 2013.

Office Action, U.S. Appl. No. 29/527,488, Mailed on May 10, 2016.

Office Action Response, U.S. Appl. No. 29/527,488, Dated on Aug. 9, 2016.

Terminal Disclaimer, U.S. Appl. No. 29/527,488, Dated on Aug. 10, 2016.

Office Action, U.S. Appl. No. 29/527,490, Mailed on May 10, 2016.

Orbit Irrigation Products, Inc., Product No. 56233D 3-Outlet Digital Timer (shown in attachment 5) First comment: Feb. 9, 2012, Retrieved from the Internet: <URL: <http://www.amazon.com/Orbit-56233D-3-Outlet-Digital-Watering/dp/B004PVK4GK>>.

Orbit Irrigation Products, Inc., Product No. 56544 2-Outlet Hose Faucet Timer (shown in attachment 6) First Review: Apr. 28, 2015, Retrieved from the Internet: <URL: <http://www.homedepot.com/p/Orbit-2-Outlet-Hose-Faucet-Timer-56544/205585024>>.

Orbit Irrigation Products, Inc., Orbit Digital 2-Outlet Ht Timer (shown in attachment 7) First Review: Feb. 18, 2011, Retrieved from the Internet: <URL:[http://www.lowes.com/pd\\_163729-74985-27133\\_0\\_?productId=3199677](http://www.lowes.com/pd_163729-74985-27133_0_?productId=3199677)>.

Notice of Allowance and Fee(s) Due (including a Notice of Allowability for A Design Application section, and an Examiner’s Comment section), U.S. Appl. No. 29/527,488 Mailed on Sep. 12, 2016 (shown in attachment 8).

Office Action Response, U.S. Appl. No. 29/527,490, Dated Sep. 12, 2016 (shown in attachment 9).

Notice of Allowance and Fee(s) Due (including a Notice of Allowability for A Design Application section), U.S. Appl. No. 29/527,490 Mailed on Oct. 5, 2016 (shown in attachment 10).

Continued Prosecution Application, U.S. Appl. No. 29/527,490, Dated Nov. 10, 2016 (shown in attachment 11).

Preliminary Amendment, U.S. Appl. No. 29/527,490, Dated Nov. 11, 2016 (shown in attachment 12).

Amendment After Allowance, U.S. Appl. No. 29/527,488, Dated Dec. 8, 2016 (shown in attachment 13).

\* cited by examiner

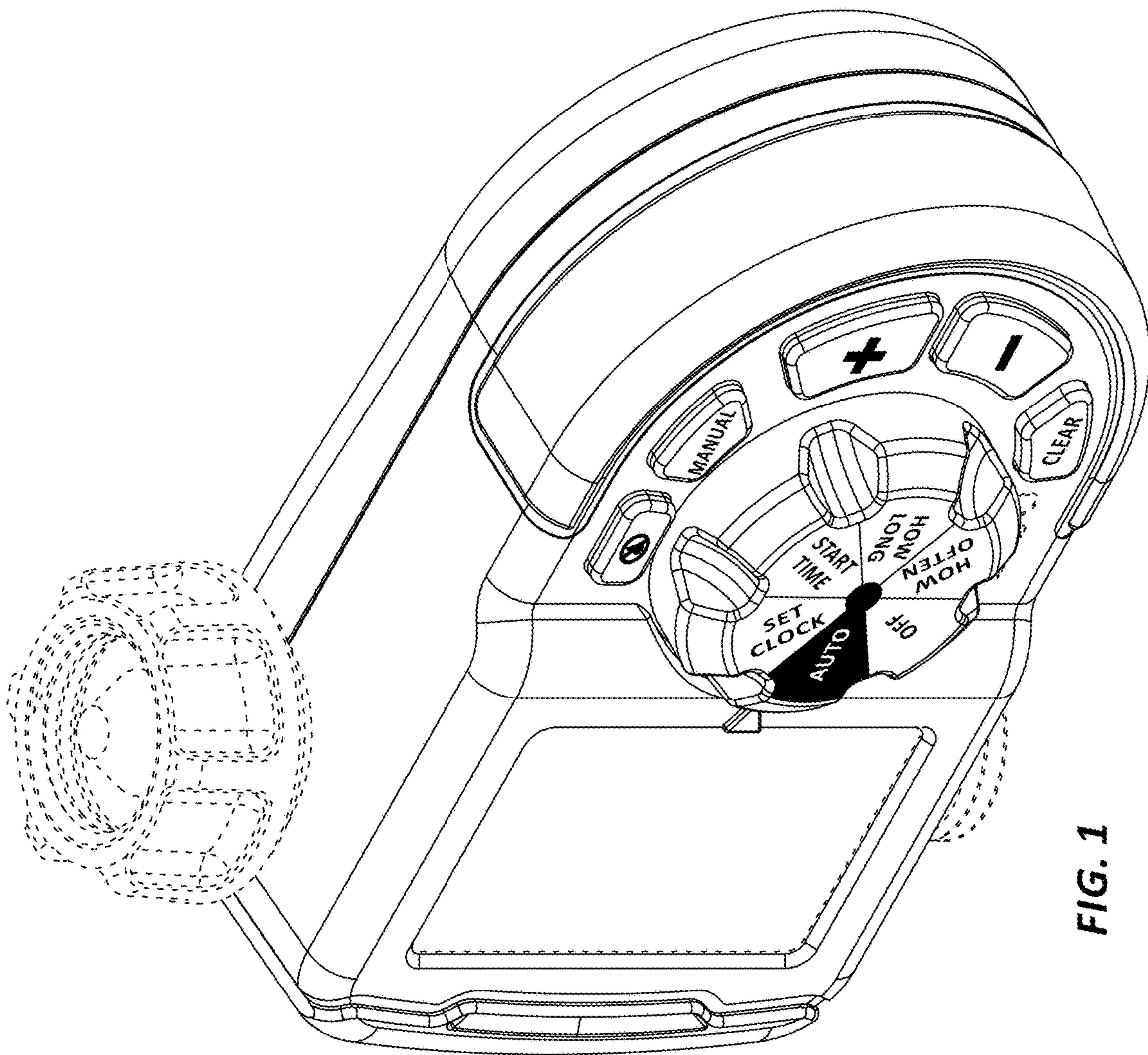


FIG. 1



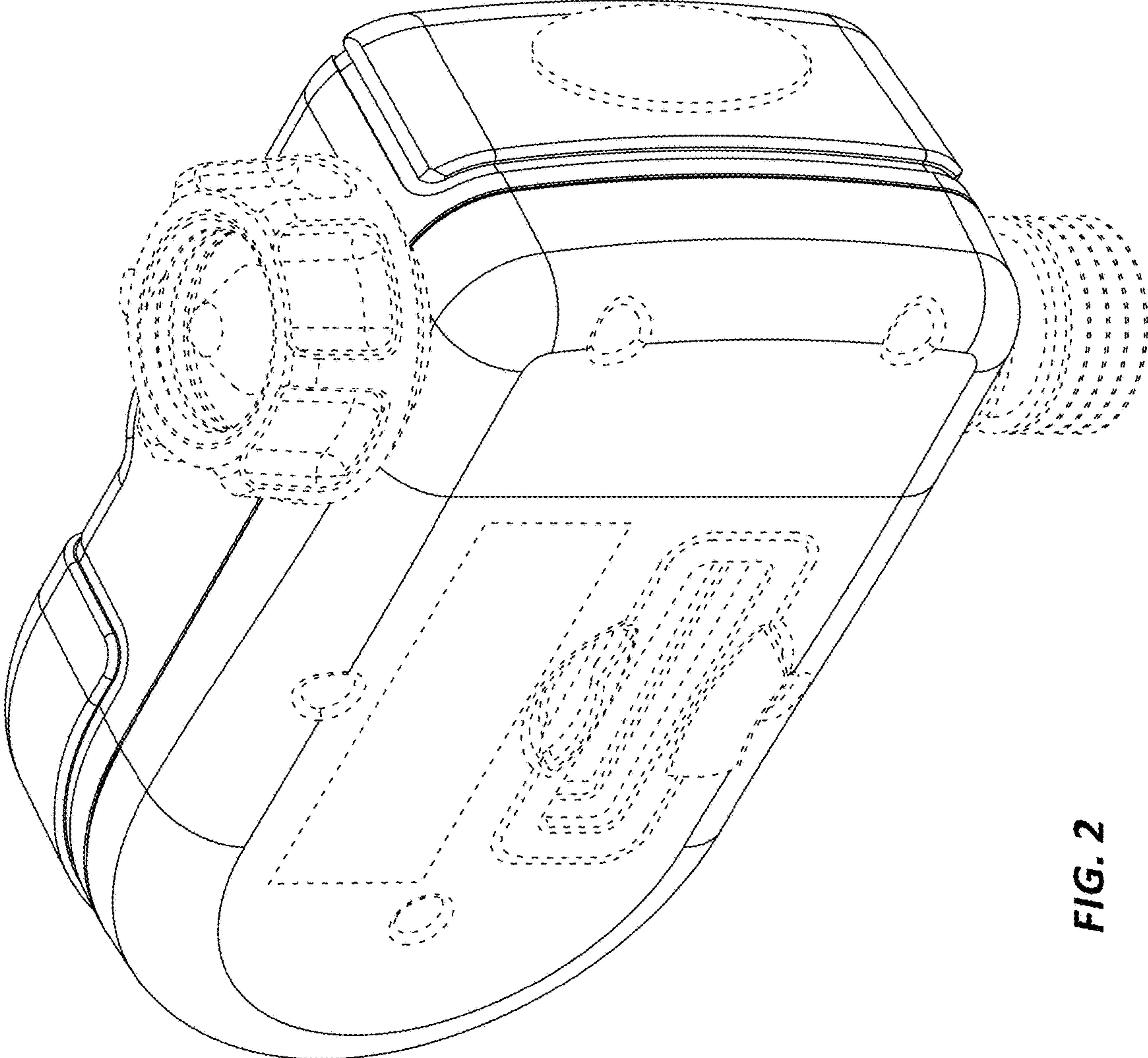
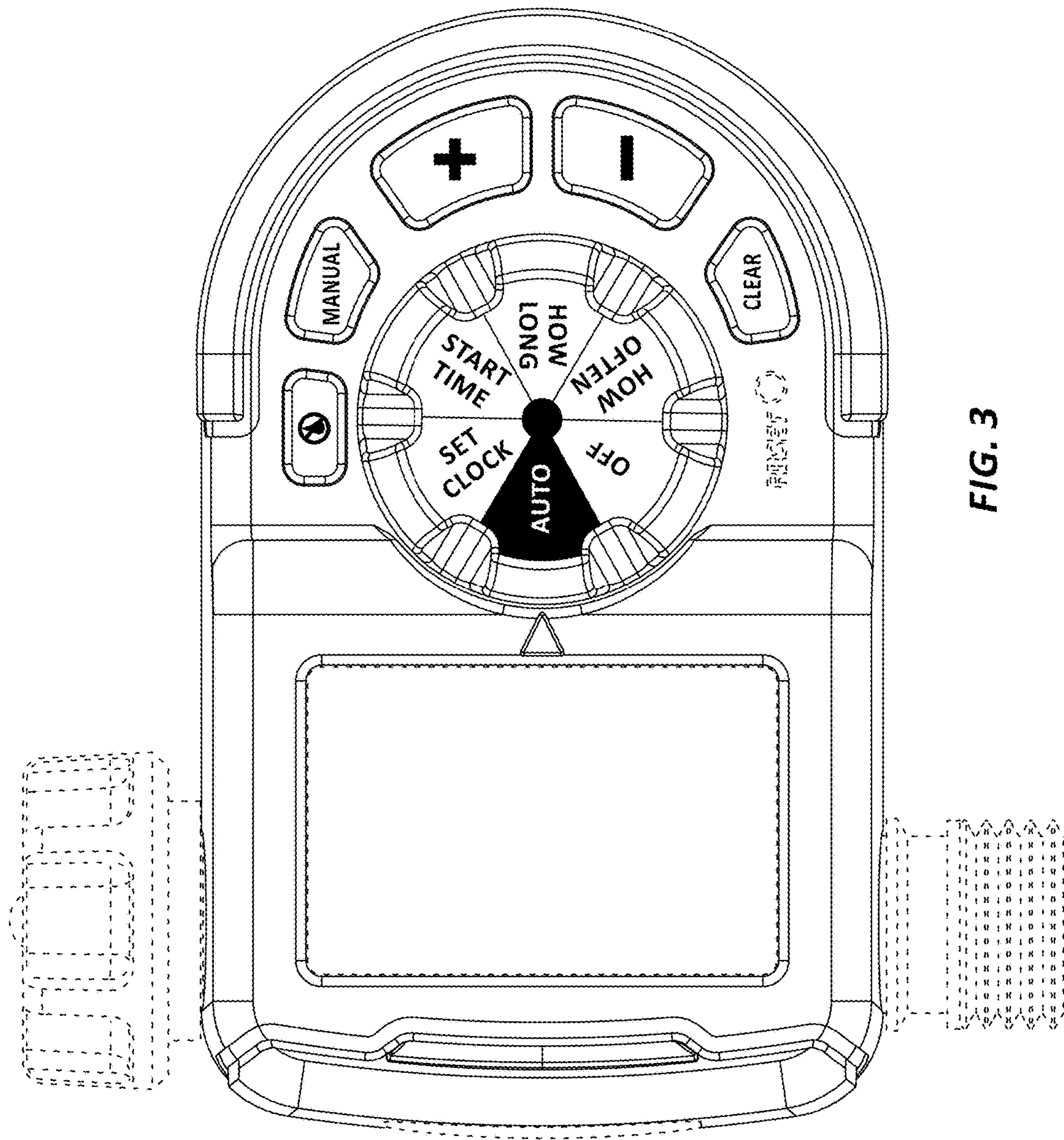


FIG. 2



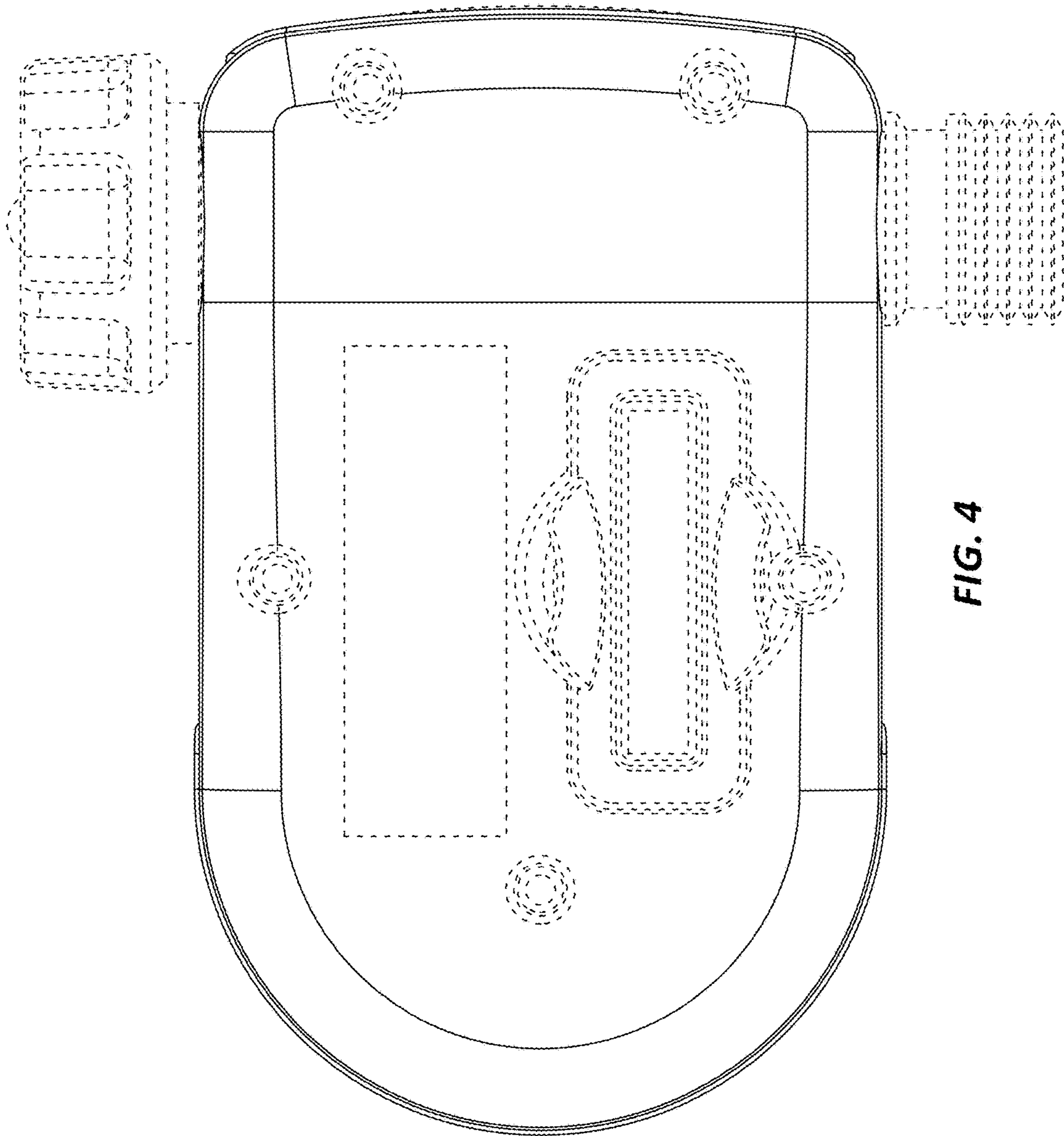


FIG. 4

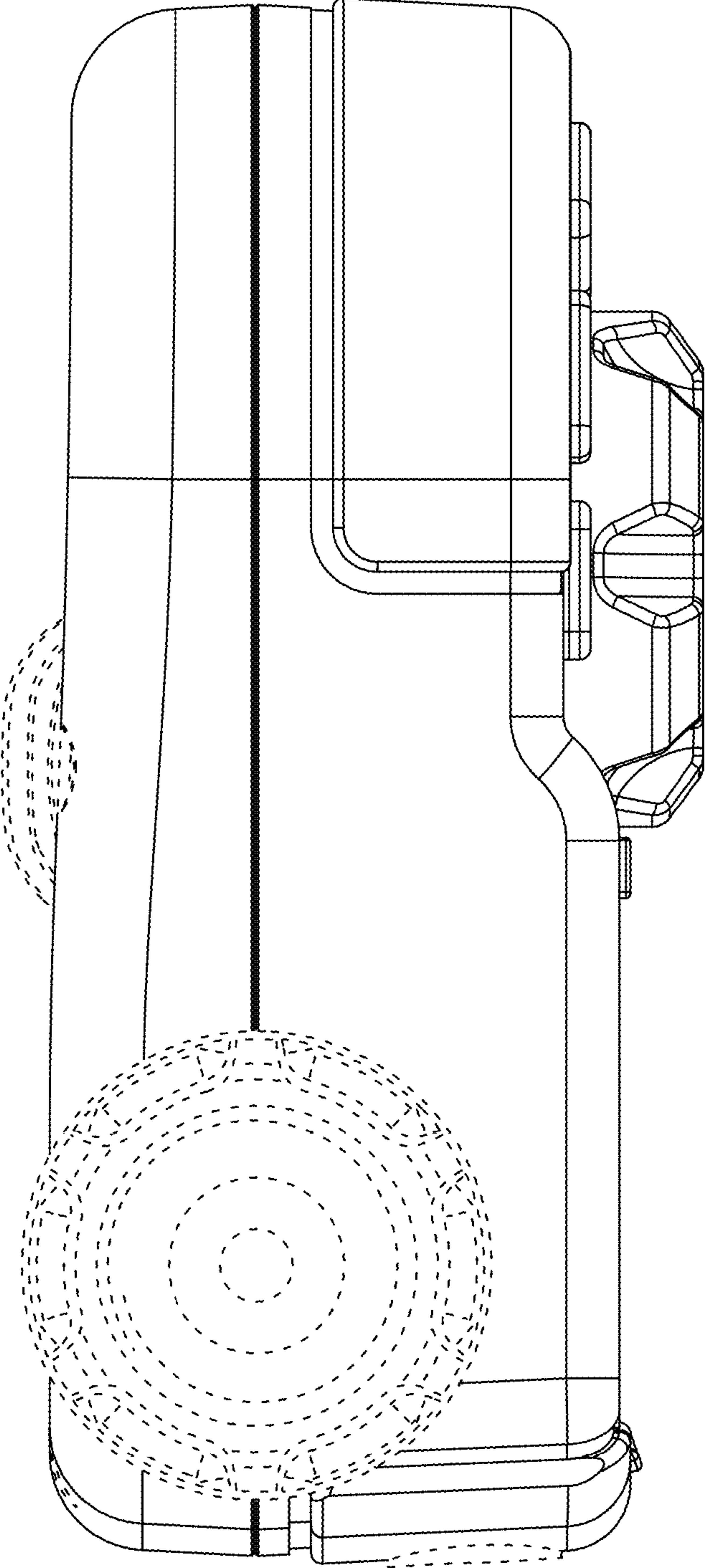


FIG. 5



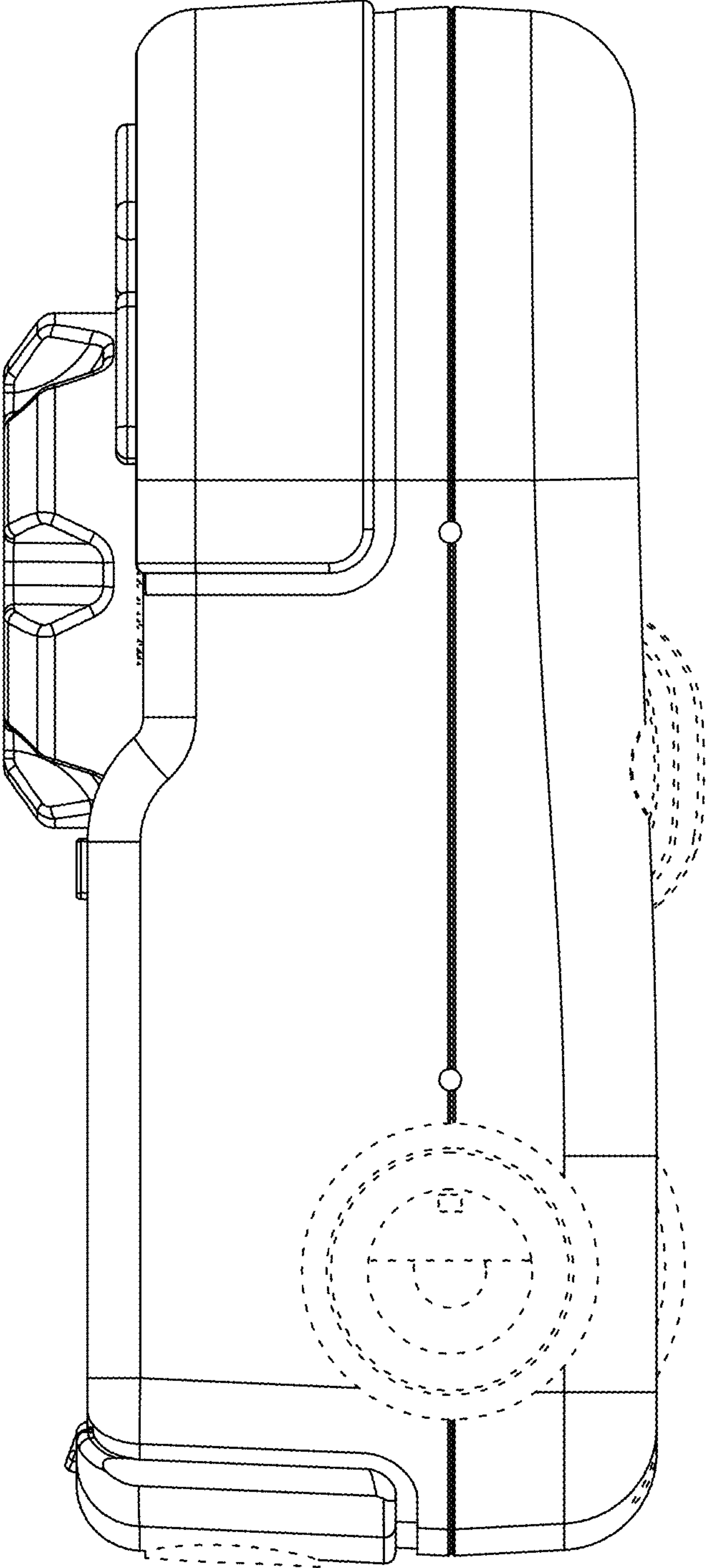


FIG. 6



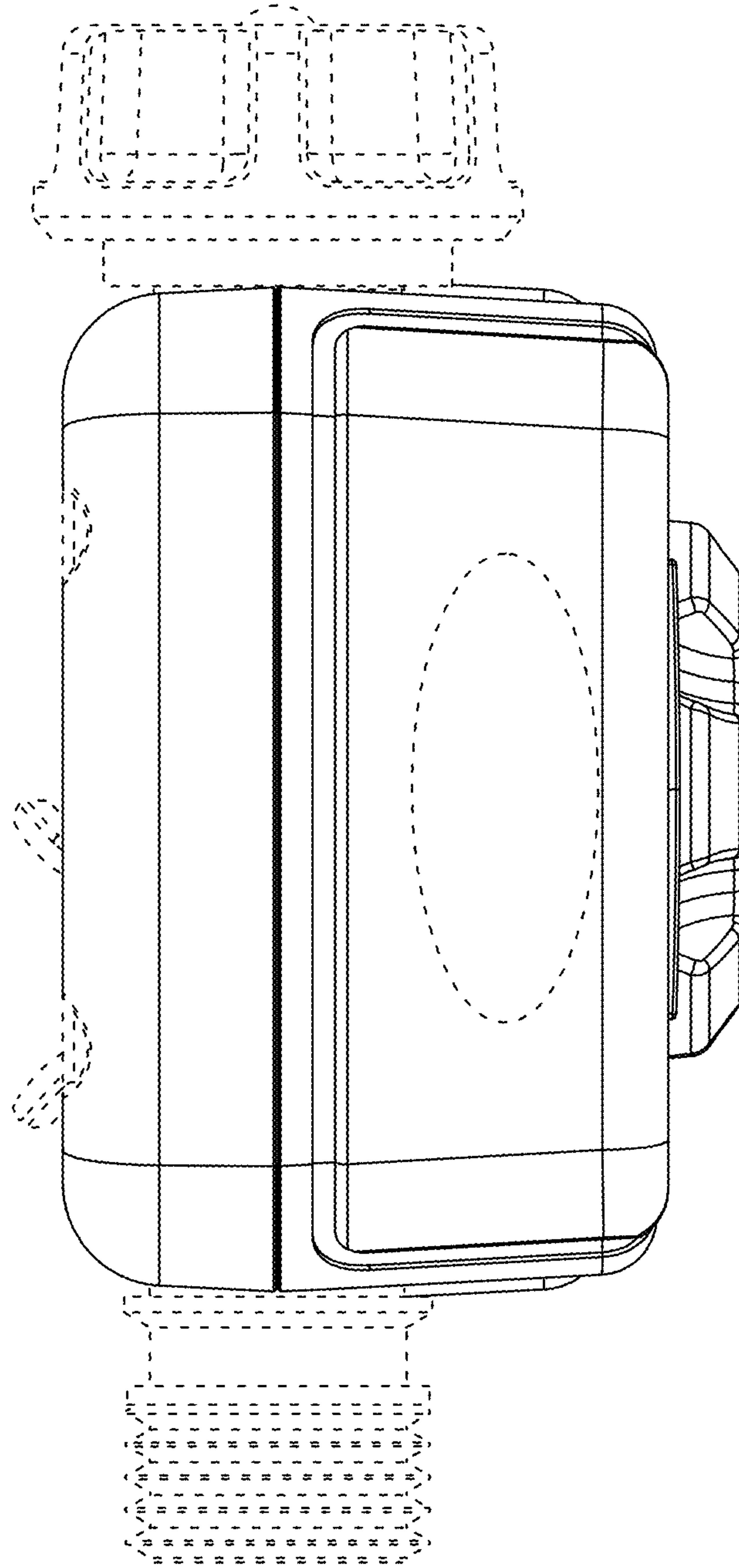


FIG. 7

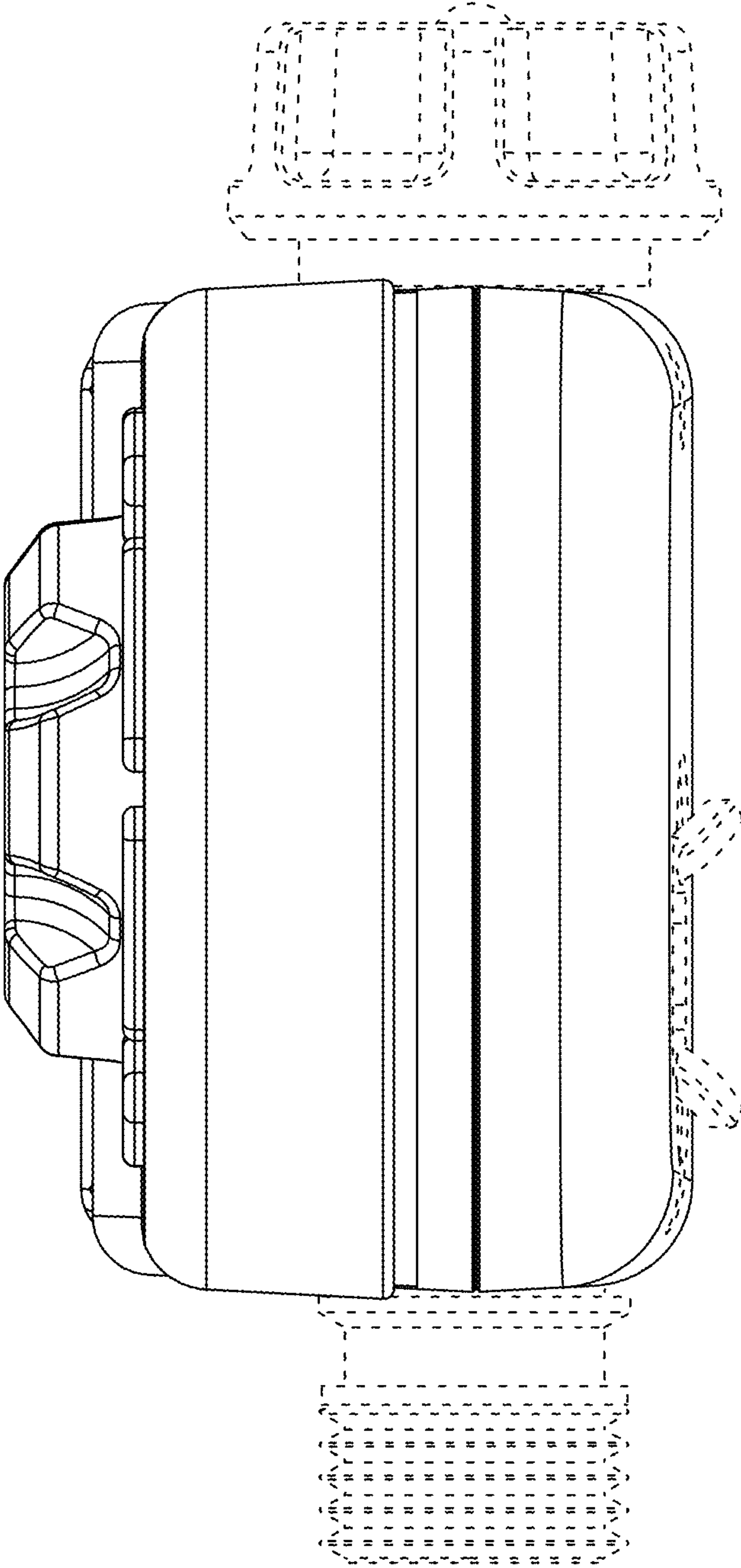


FIG. 8

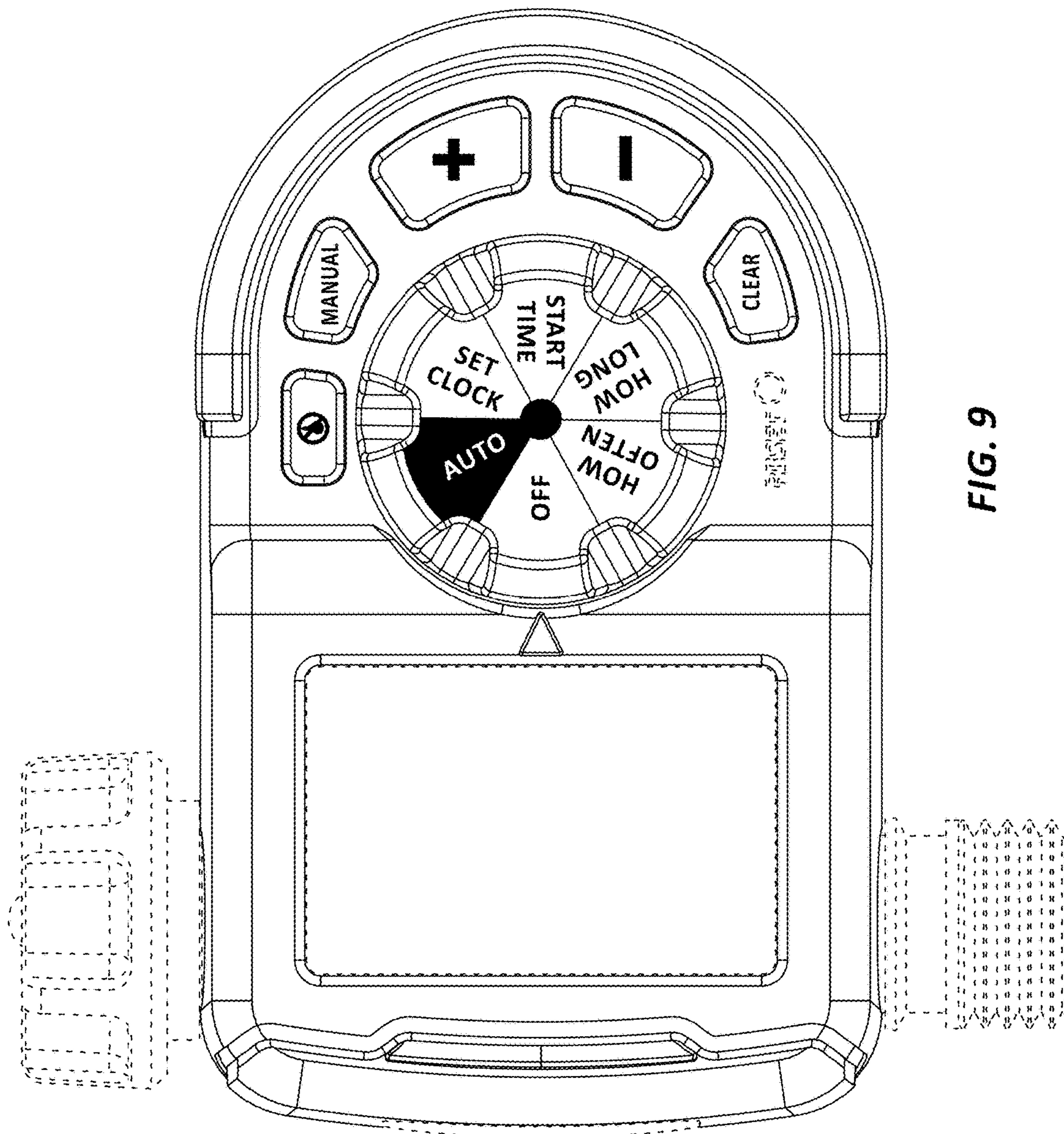
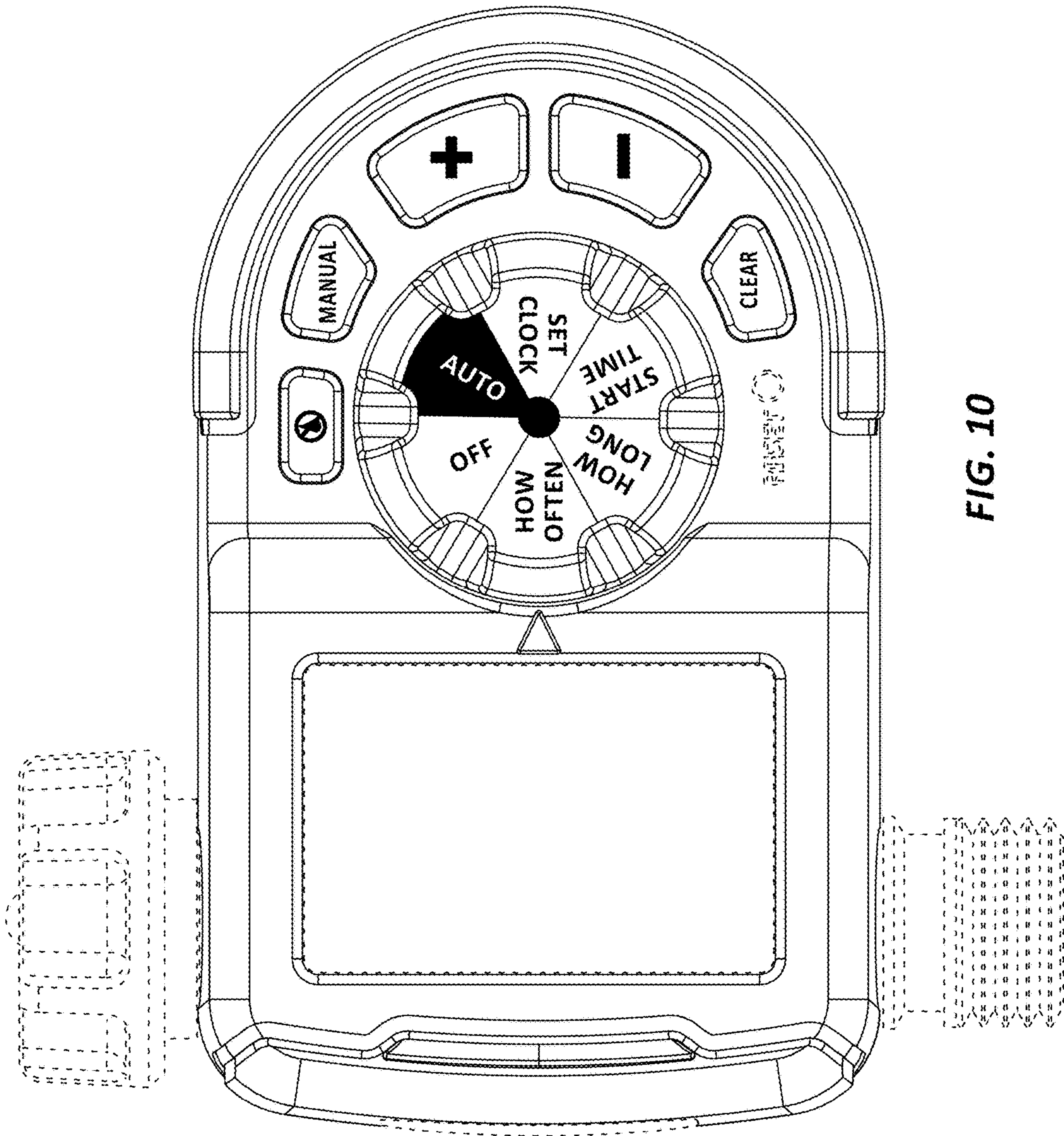


FIG. 9





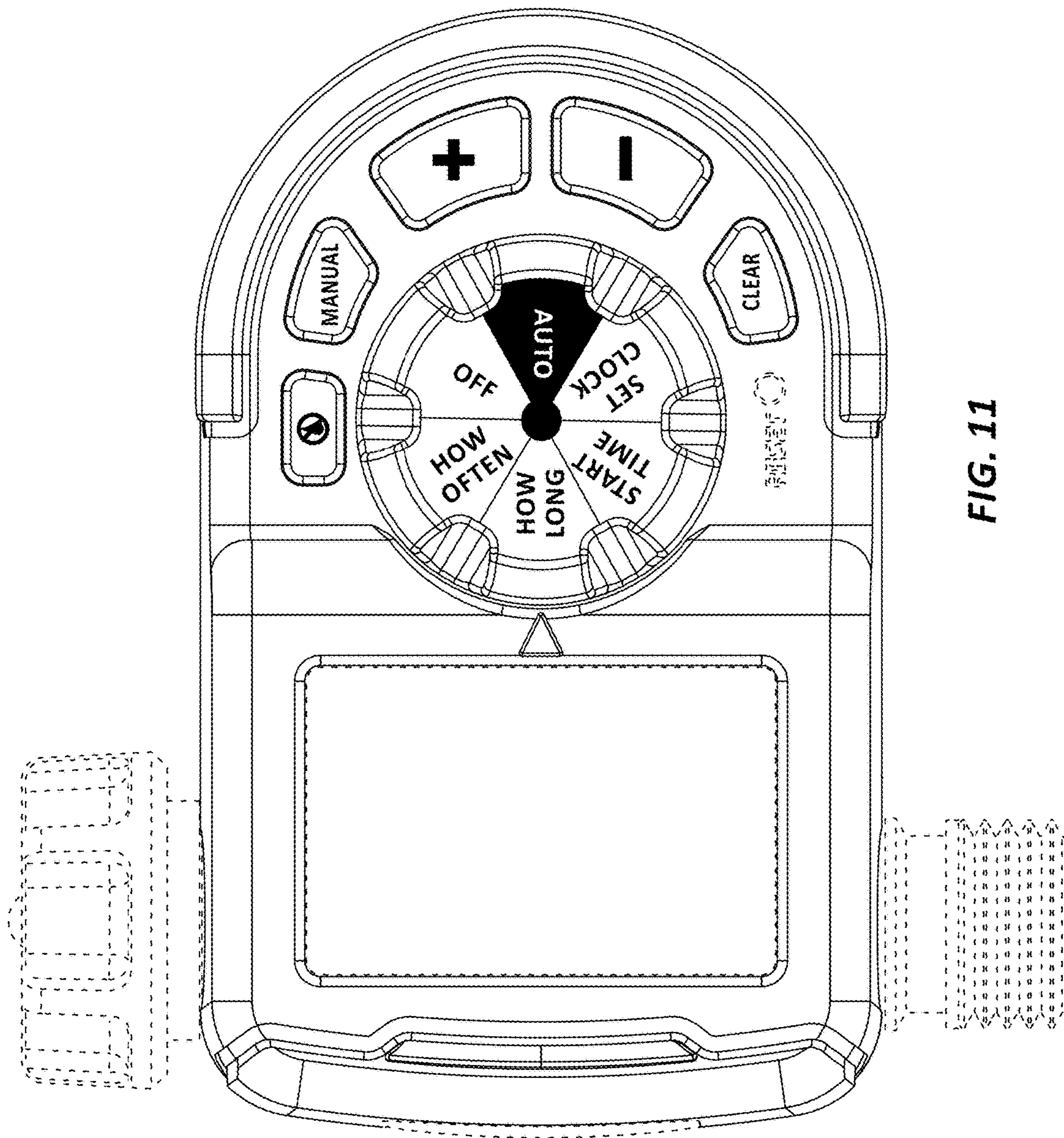
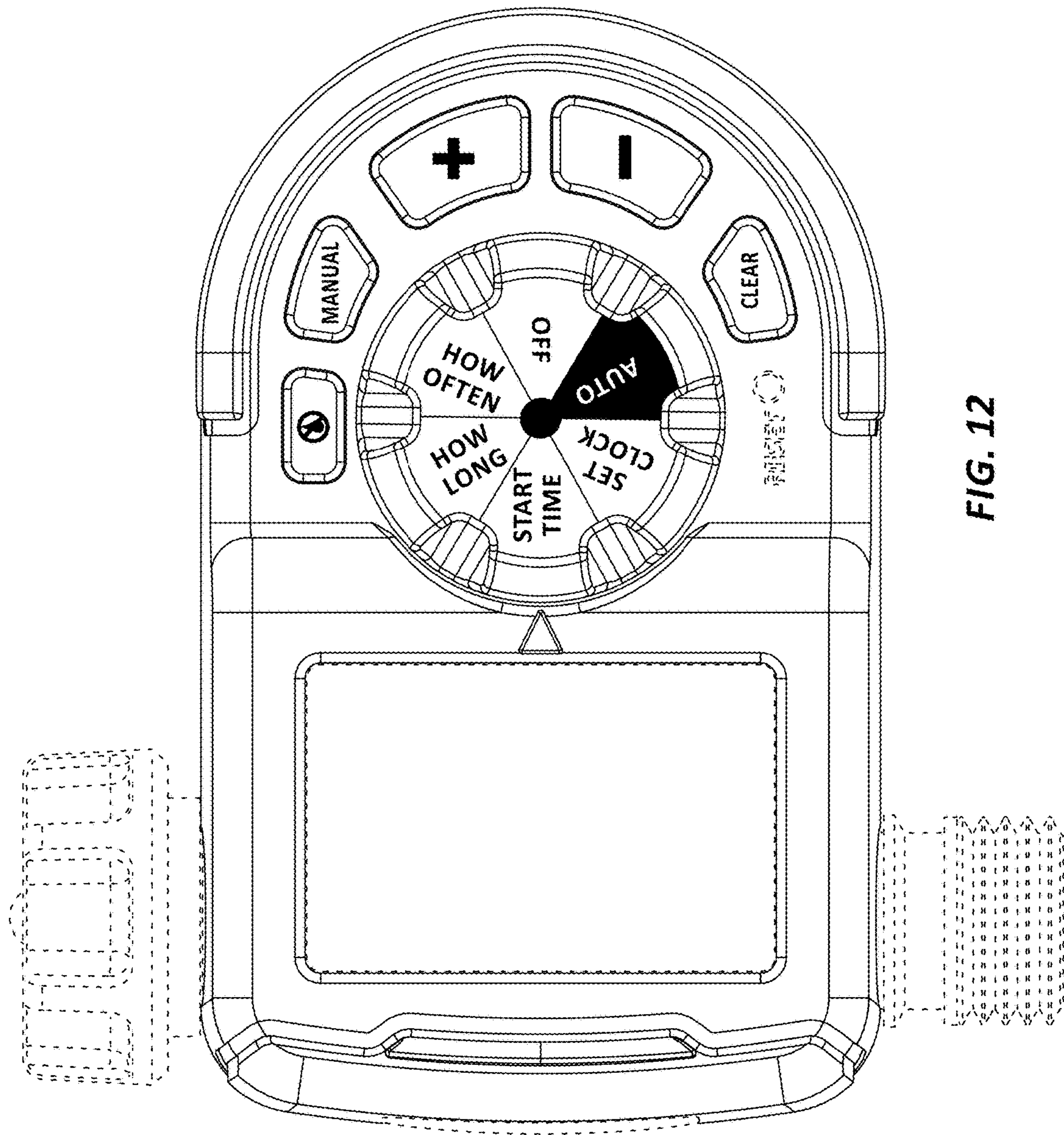


FIG. 11





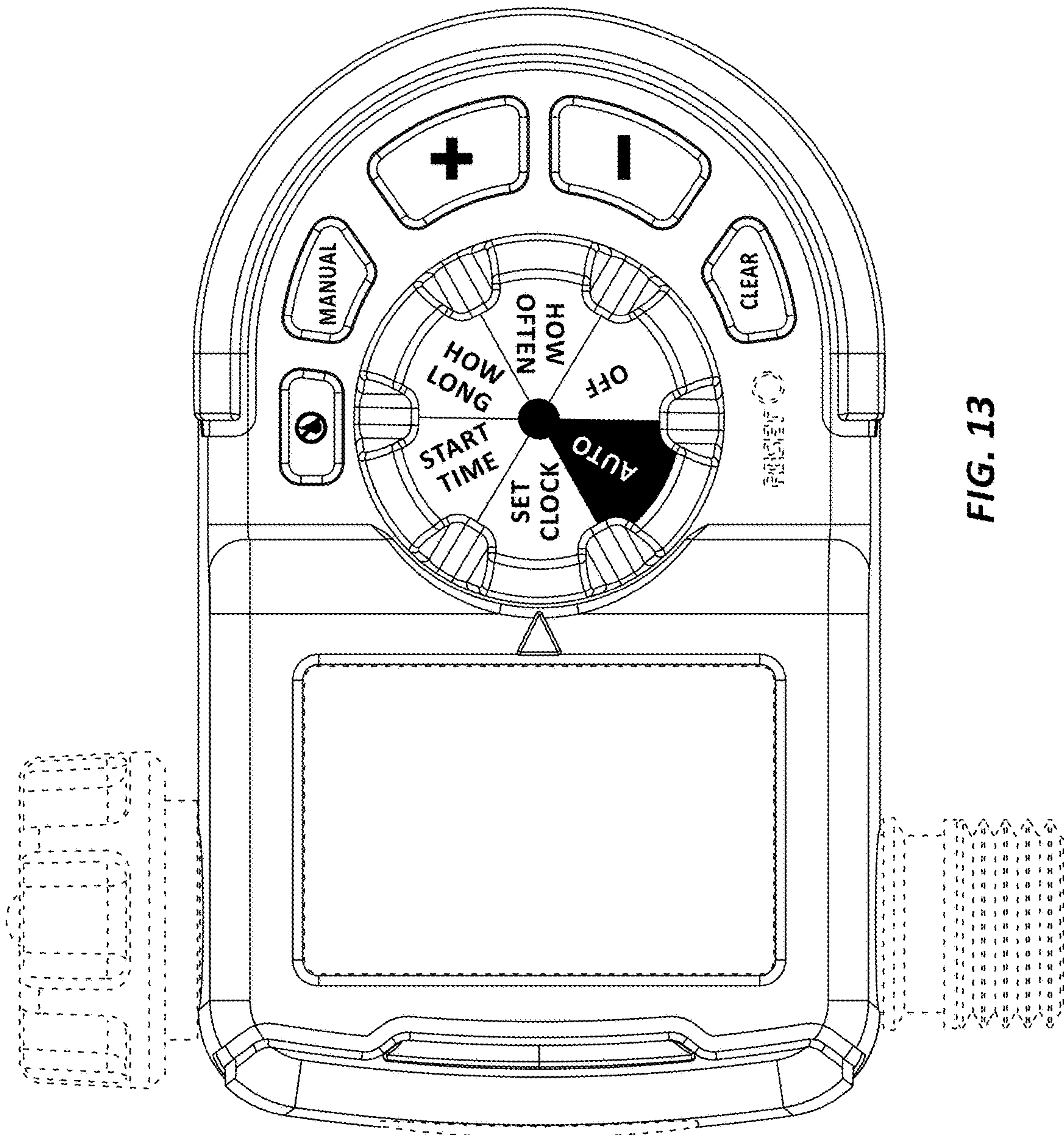


FIG. 13

UNITED STATES PATENT AND TRADEMARK OFFICE  
**CERTIFICATE OF CORRECTION**

PATENT NO. : D779,343 S  
APPLICATION NO. : 29/527487  
DATED : February 21, 2017  
INVENTOR(S) : Kent C. Ericksen et al.

Page 1 of 15

It is certified that error appears in the above-identified patent and that said Letters Patent is hereby corrected as shown below:

On the Title Page

Title Page consisting of illustrative fig. 1 is replaced with attached Title Page consisting of illustrative fig. 1.

In the Drawings

Drawing sheets 1-13 consisting of figs. 1-13 are replaced with attached sheets 1-13 consisting of figs. 1-13.

Signed and Sealed this  
Eighteenth Day of July, 2017



Joseph Matal  
*Performing the Functions and Duties of the  
Under Secretary of Commerce for Intellectual Property and  
Director of the United States Patent and Trademark Office*

(12) **United States Design Patent** (10) **Patent No.:** **US D779,343 S**  
 Ericksen et al. (45) **Date of Patent:** \*\* \*Feb. 21, 2017

(54) **TIMER**

**OTHER PUBLICATIONS**

(71) Applicant: **Orbit Irrigation Products, Inc.**, North Salt Lake, UT (US)

"1-Outlet Hose Faucet Timer." First comment: Apr. 4, 2015. Home Depot. <http://www.homedepot.com/p/Orbit-1-Outlet-Hose-Faucet-Timer-56619/205383027>.\*

(72) Inventors: **Kent C. Ericksen**, Centerville, UT (US); **Karl L. Connolly**, Bountiful, UT (US); **Jeffrey C. Thurgood**, Severance, CO (US); **Andrew Mark Urry**, Herriman, UT (US); **Amy Marie Yamasaki**, Fruit Heights, UT (US); **Hugo Rodriguez**, South Salt Lake, UT (US)

(Continued)

*Primary Examiner* — Manpreet Matharu  
*Assistant Examiner* — Suzanne Tisdell

(74) *Attorney, Agent, or Firm* — Austin Rapp & Hardman (57)

**CLAIM**

The ornamental design for a timer, as shown and described.

**DESCRIPTION**

(73) Assignee: **Orbit Irrigation Products, Inc.**, North Salt Lake, UT (US)

(\* ) Notice: This patent is subject to a terminal disclaimer.

(\*\* ) Term: **15 Years**

(21) Appl. No.: **29/527,487**

(22) Filed: **May 19, 2015**

(51) **LOC (10) CL** ..... **10-03**

(52) **U.S. CL**  
 USPC ..... **D10/40**

(58) **Field of Classification Search**  
 USPC ..... D10/2, 15, 20, 24, 40, 41, 46.1, 47, 50, D10/51, 60, 74, 126; D16/206, 214, 235, D16/238, 250, D23/245, 246

(Continued)

(56) **References Cited**

**U.S. PATENT DOCUMENTS**

D174,933 S \* 6/1955 Williams ..... D16/238

D185,885 S \* 8/1959 Kawa et al. .... D16/238

(Continued)

FIG. 1 is an elevated front perspective view of a timer, according to our new design;

FIG. 2 is an elevated rear perspective view of the timer shown in FIG. 1;

FIG. 3 is a front view of the timer shown in FIG. 1;

FIG. 4 is a rear view of the timer shown in FIG. 1;

FIG. 5 is a top view of the timer shown in FIG. 1;

FIG. 6 is a bottom view of the timer shown in FIG. 1;

FIG. 7 is a first side view of the timer shown in FIG. 1;

FIG. 8 is a second side view of the timer shown in FIG. 1;

FIG. 9 is a front view of the timer shown in FIG. 1 in a first alternative position;

FIG. 10 is a front view of the timer shown in FIG. 1 in a second alternative position;

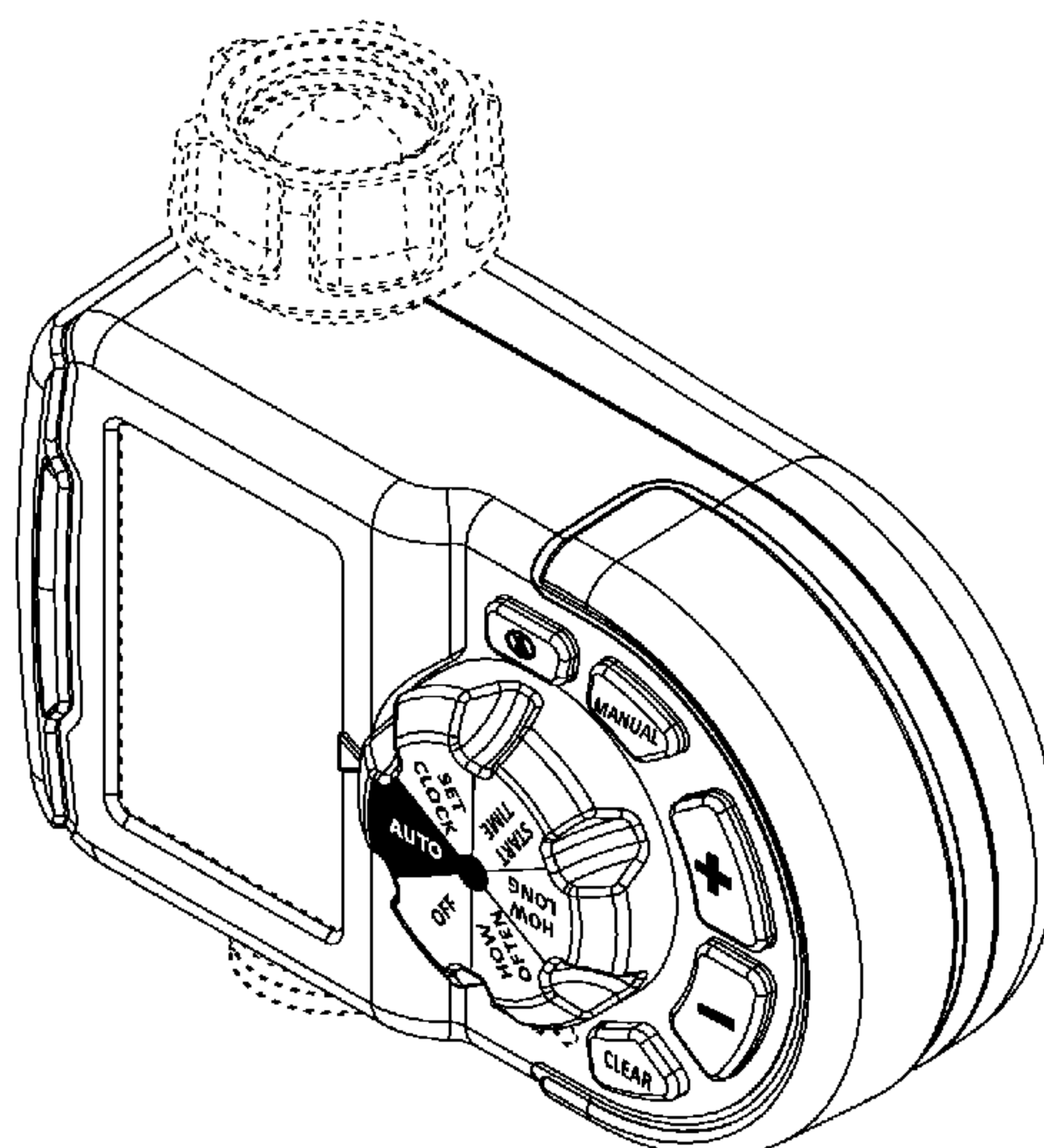
FIG. 11 is a front view of the timer shown in FIG. 1 in a third alternative position;

FIG. 12 is a front view of the timer shown in FIG. 1 in a fourth alternative position; and,

FIG. 13 is a front view of the timer shown in FIG. 1 in a fifth alternative position.

The portions of the figures shown in broken lines are unclaimed. Any empty region surrounded by broken lines is also unclaimed, inclusive of the broken line itself.

**1 Claim, 13 Drawing Sheets**





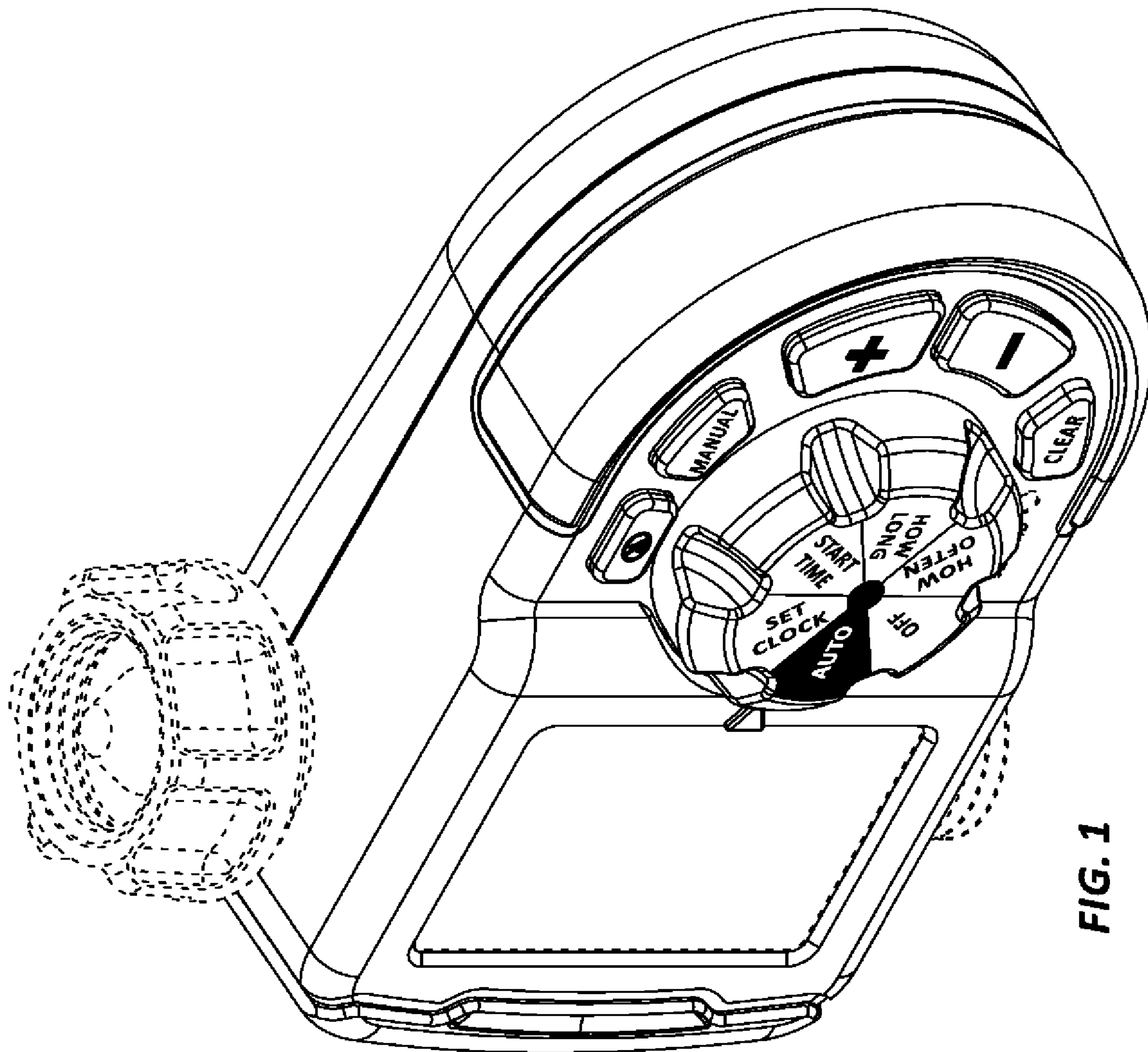
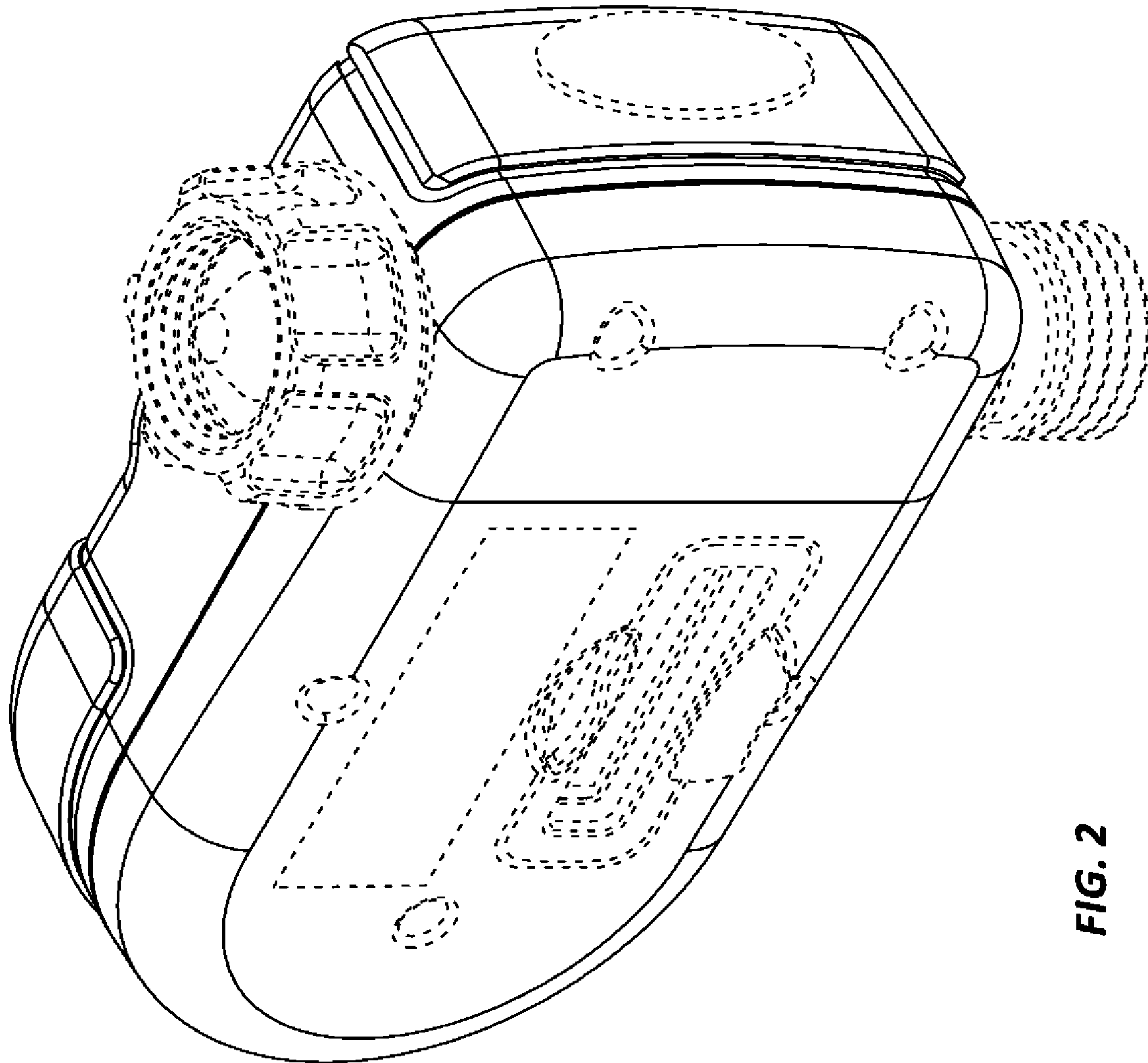


FIG. 1



**FIG. 2**

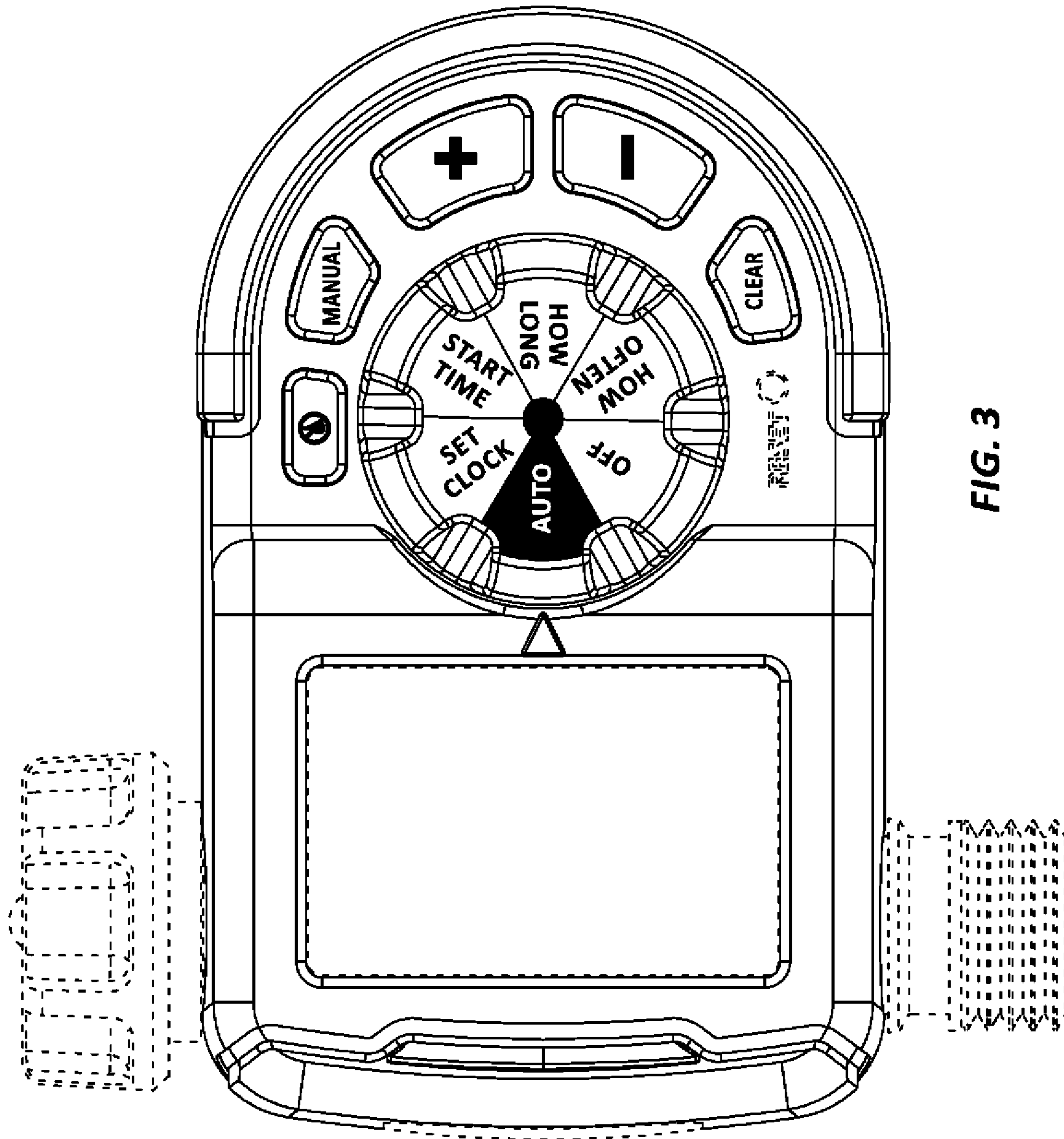


FIG. 3



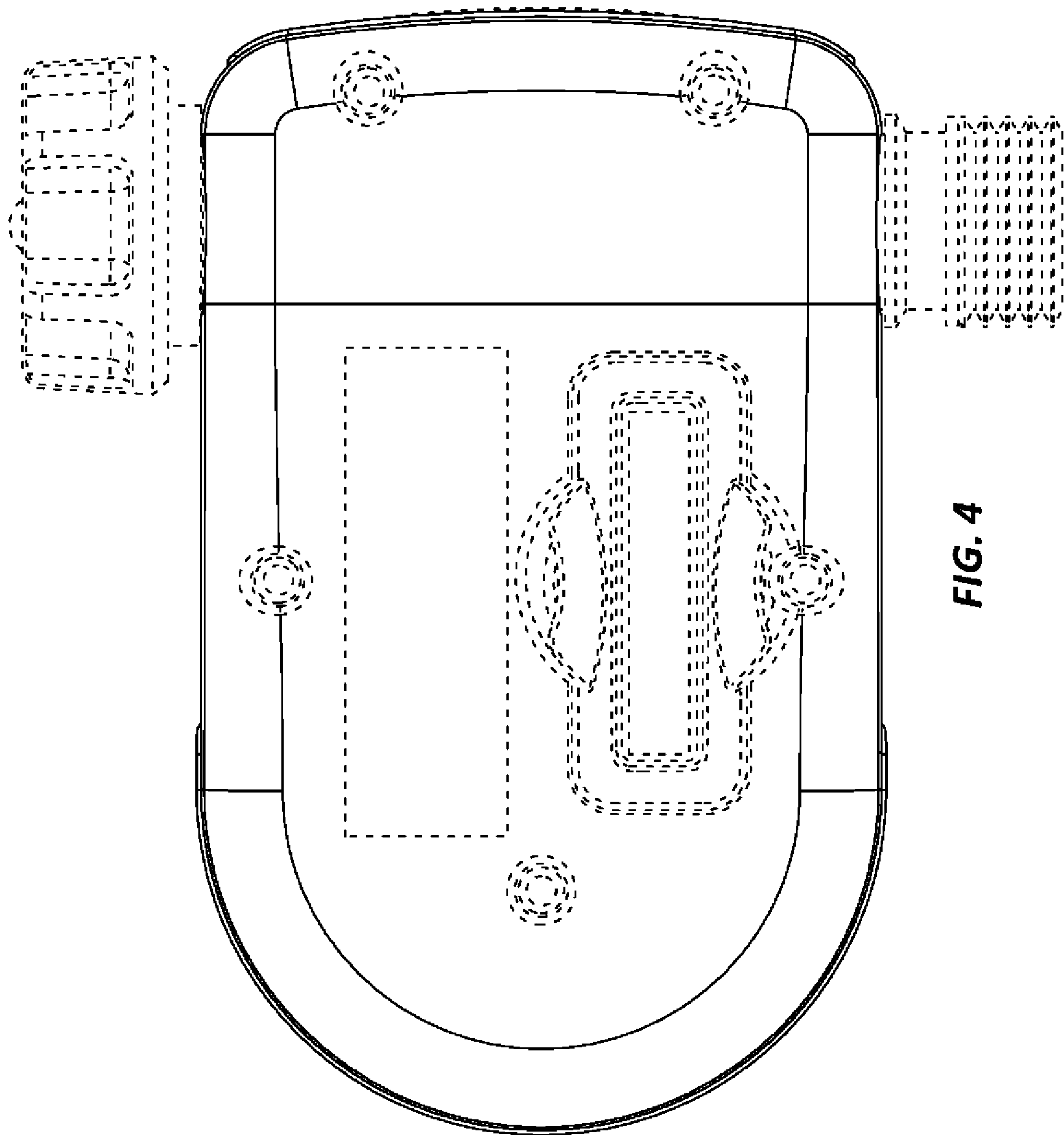
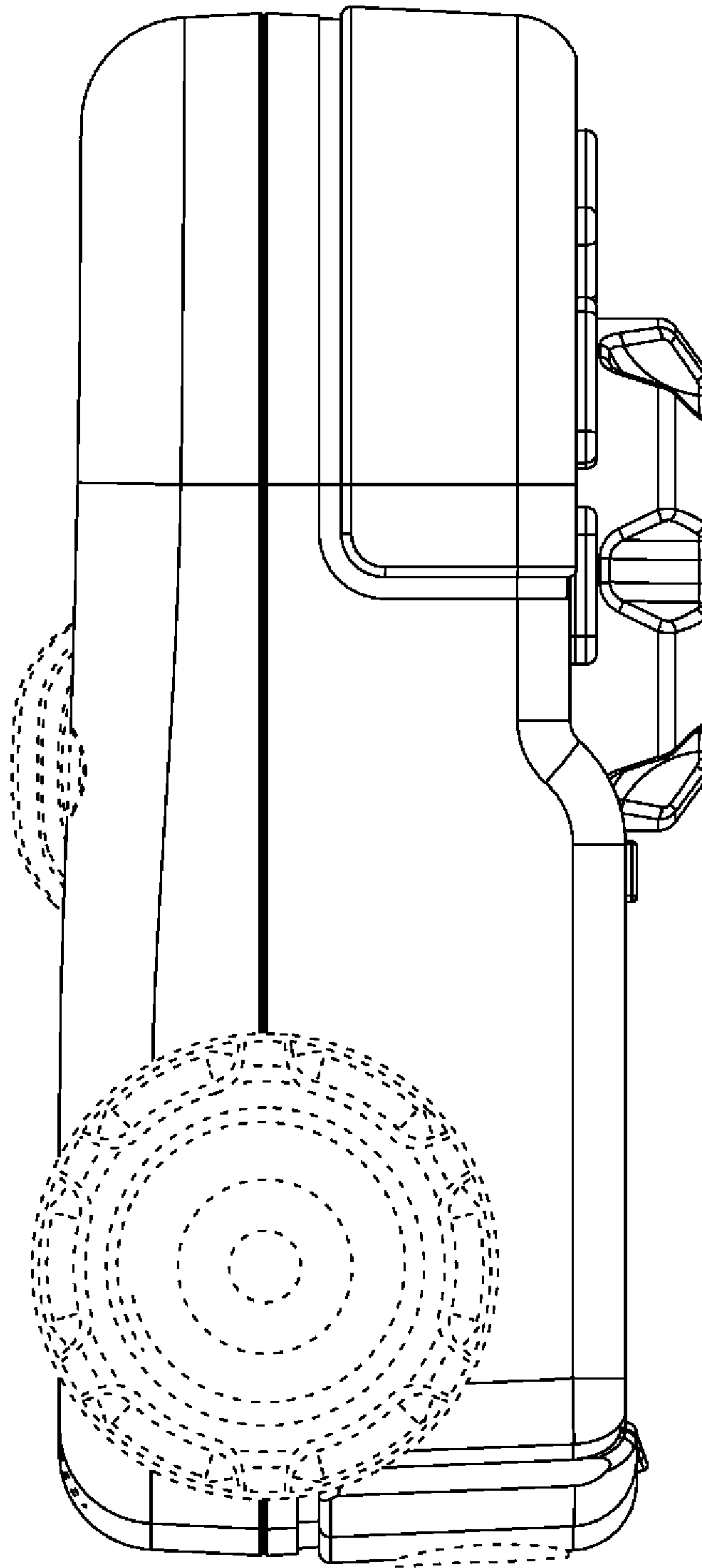


FIG. 4



**FIG. 5**

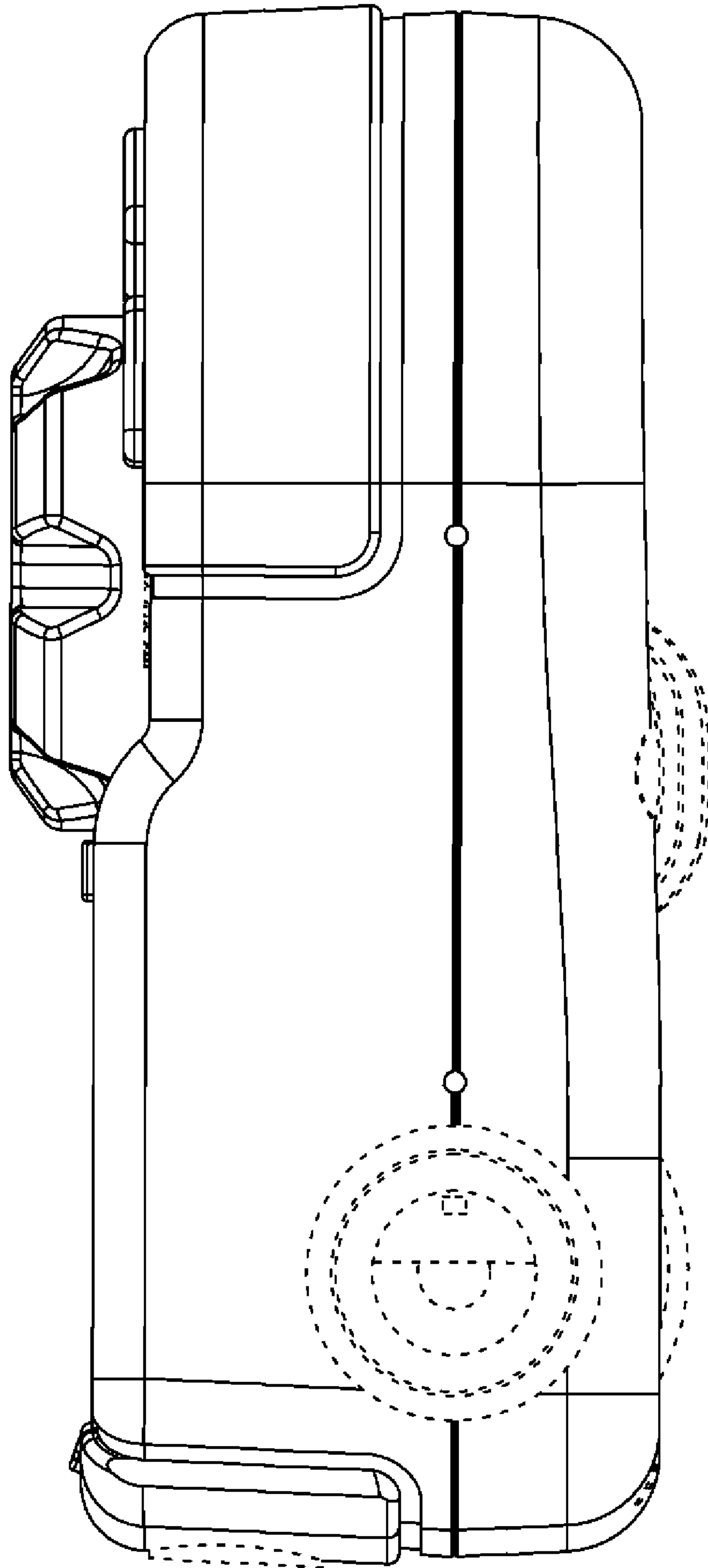


FIG. 6

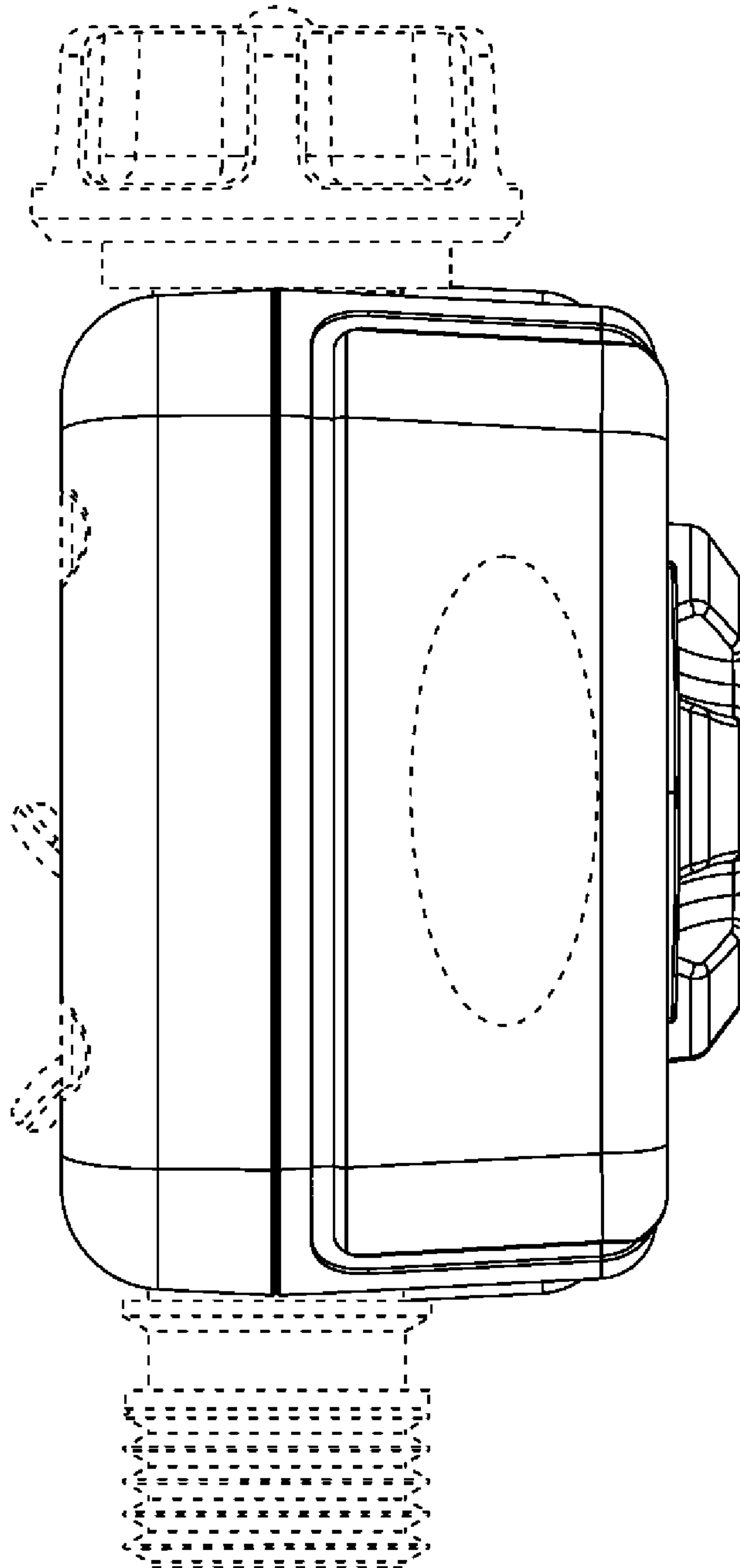
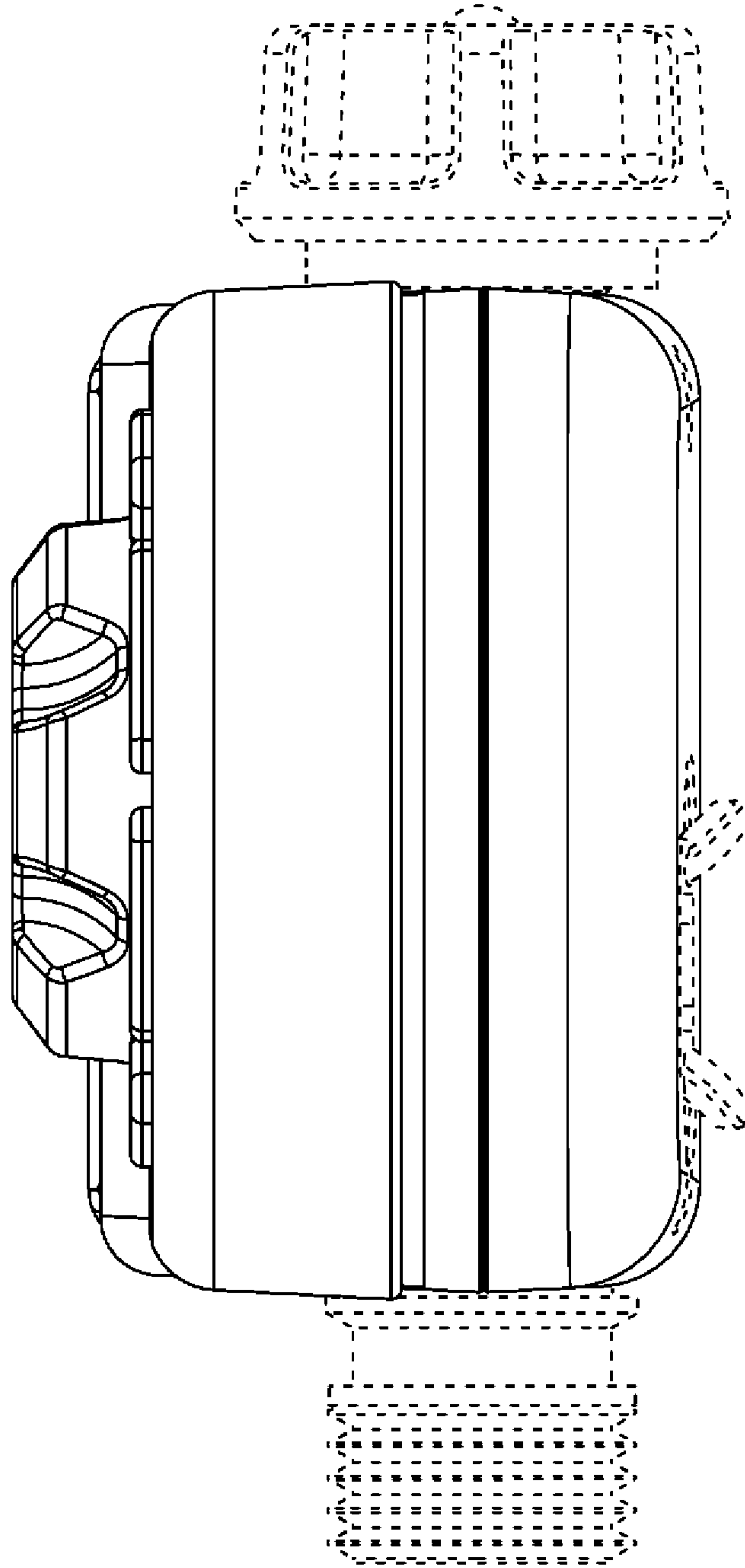


FIG. 7





**FIG. 8**

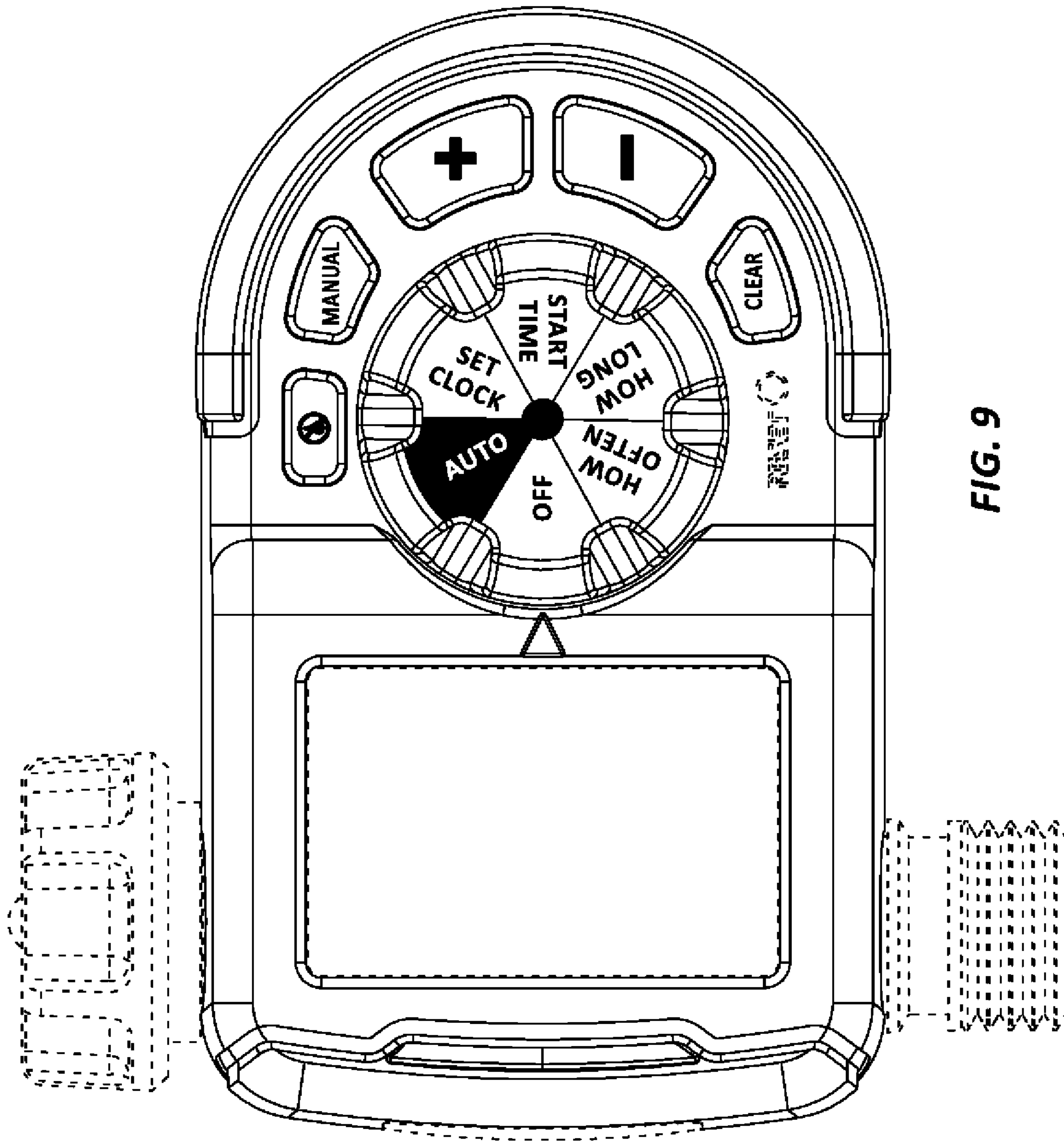


FIG. 9

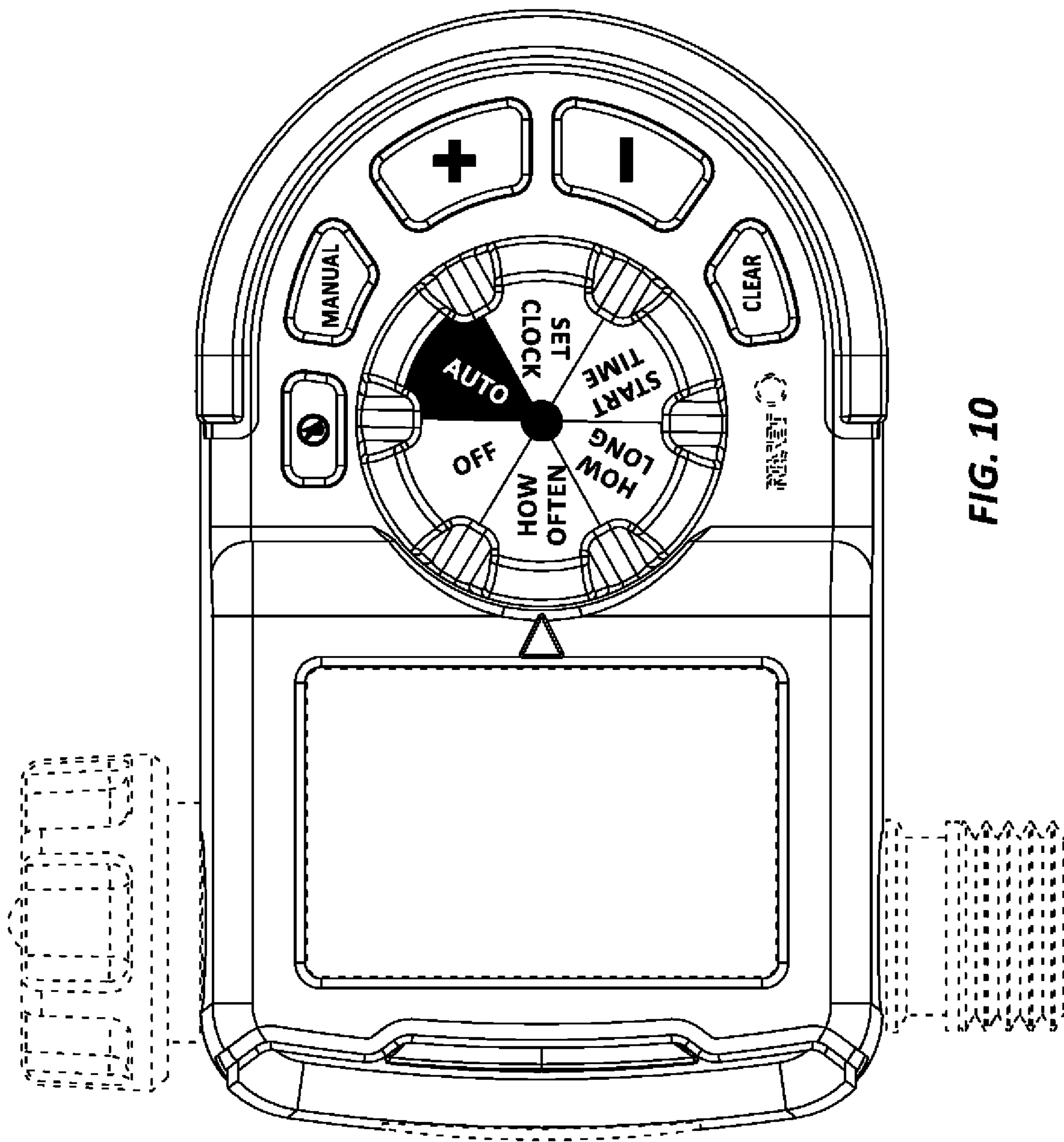
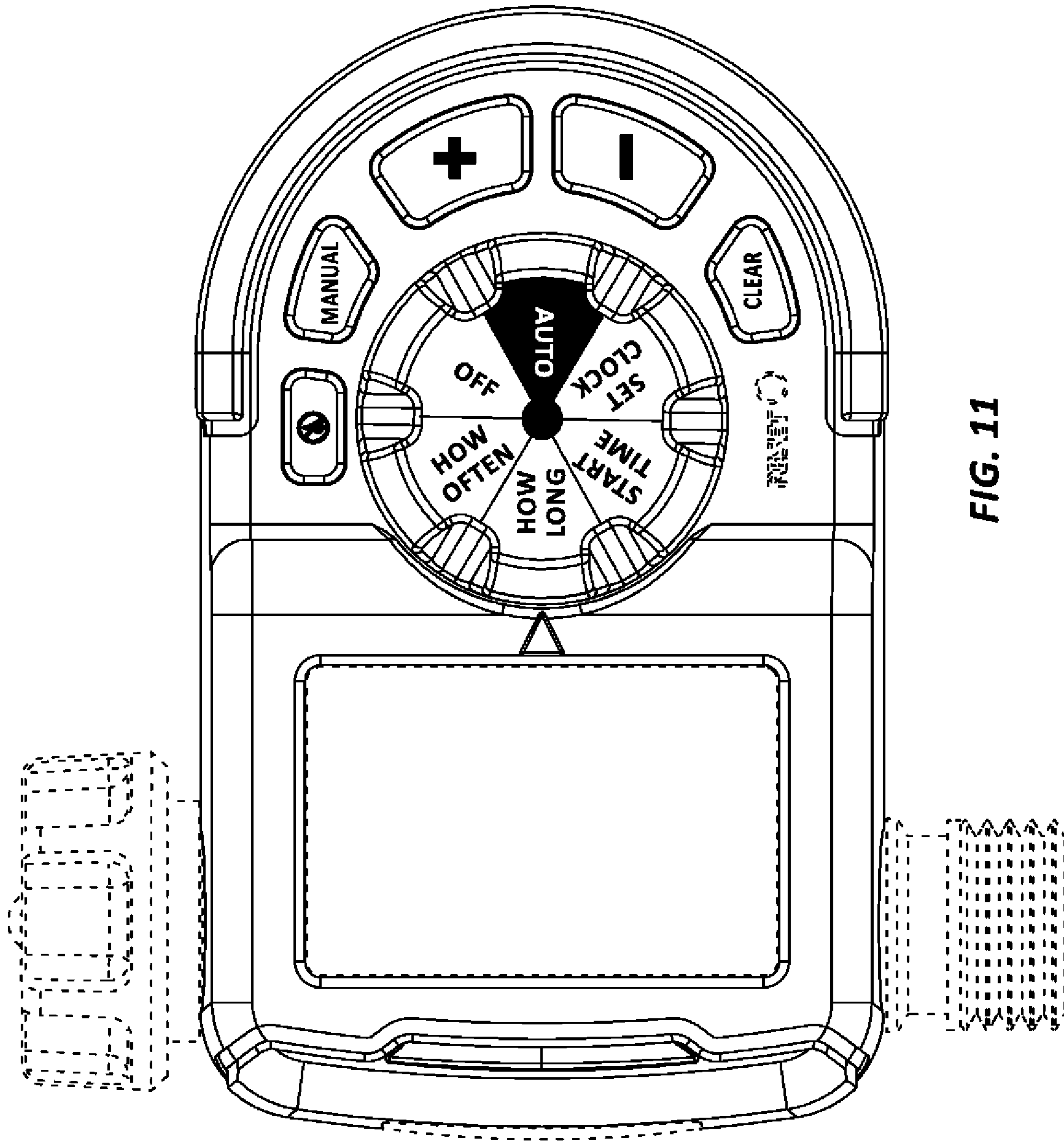


FIG. 10





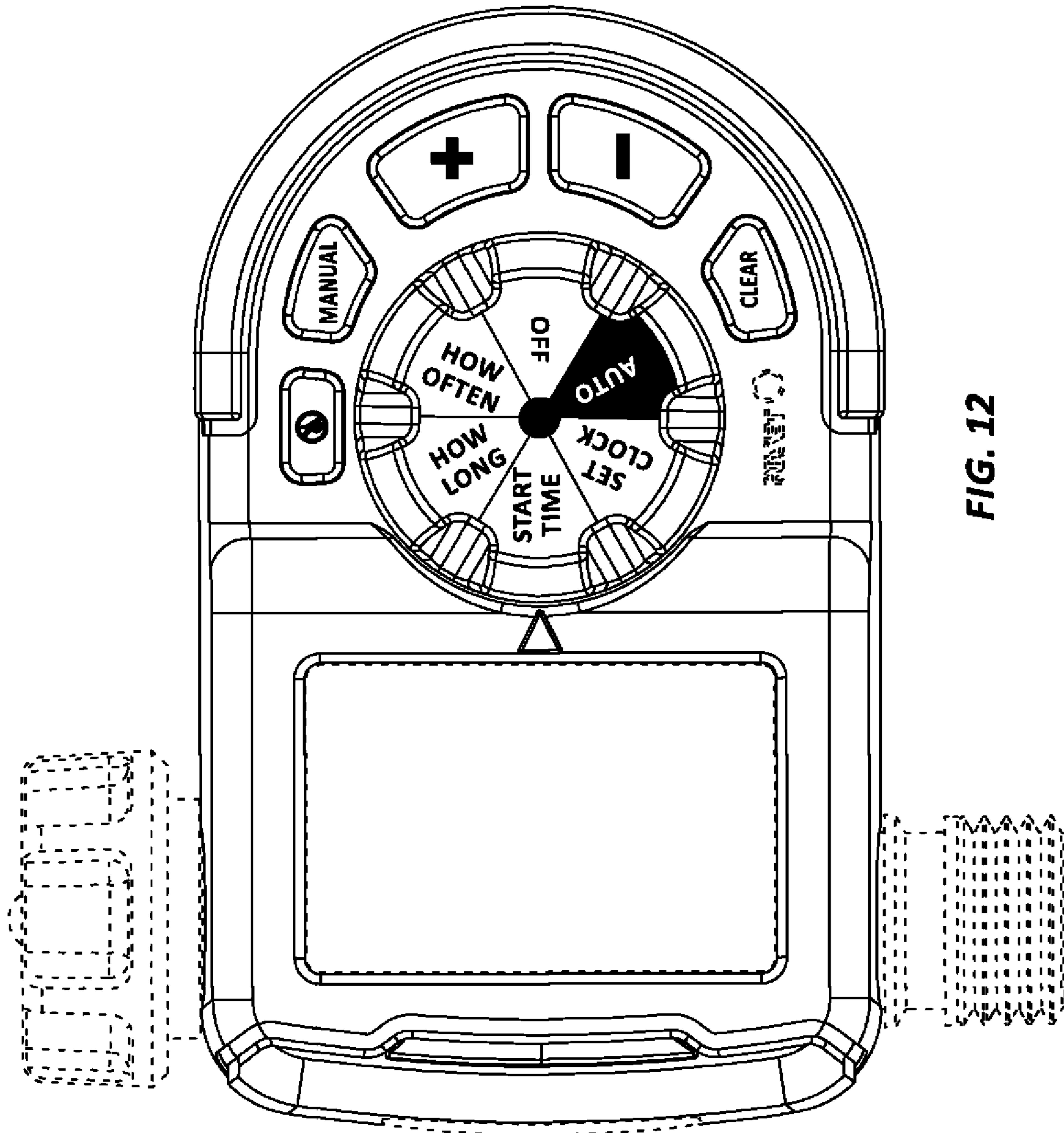


FIG. 12

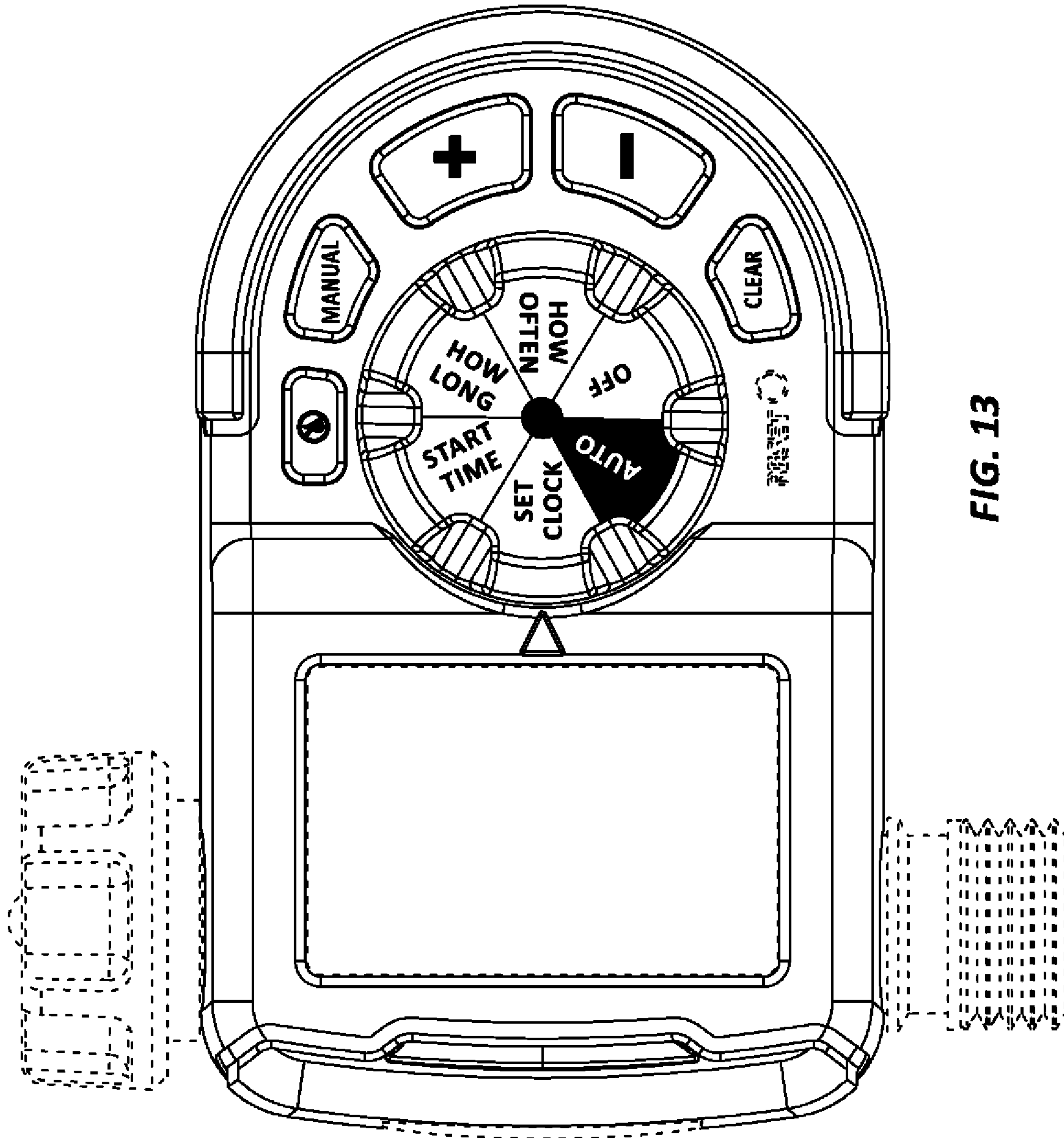


FIG. 13