



US00D779338S

(12) **United States Design Patent** (10) **Patent No.:** **US D779,338 S**  
**Wonderley** (45) **Date of Patent:** **\*\* Feb. 21, 2017**

(54) **BLADE DISPENSER**  
(71) Applicant: **AccuTec Blades, Inc.**, Verona, VA (US)  
(72) Inventor: **Jeffrey Wonderley**, Fort Defiance, VA (US)  
(73) Assignee: **AccuTec Blades, Inc.**, Verona, VA (US)  
(\*\*) Term: **14 Years**

D235,135 S \* 5/1975 Poisson ..... D9/735  
D240,116 S \* 6/1976 Poisson ..... D9/735  
D240,902 S \* 8/1976 Byrne ..... D9/735  
4,207,790 A 6/1980 Endo  
4,730,376 A \* 3/1988 Yamada ..... A61B 17/3217  
206/355  
D403,954 S \* 1/1999 Okada ..... D9/735  
6,763,972 B2 7/2004 Graupner  
D720,628 S \* 1/2015 Erdmann ..... D9/735  
2014/0034665 A1 2/2014 Walter

(21) Appl. No.: **29/491,543**  
(22) Filed: **May 22, 2014**  
(51) **LOC (10) Cl.** ..... **09-01**  
(52) **U.S. Cl.**  
USPC ..... **D9/735**  
(58) **Field of Classification Search**  
USPC ..... D9/414, 730, 735; D3/20, 201, 203.1;  
D28/73, 78, 83; 206/38, 208, 556, 738,  
206/739, 756, 758; 221/198, 279, 281  
CPC ..... A24F 27/00; B65D 51/0223; B65D  
2543/0026; B65D 83/10; B65D 83/0847;  
B65D 83/0409; B65D 83/0418; B65D  
83/02; B65D 25/10; B65D 5/72; B65D  
5/48024; B65D 5/724; B65D  
85/00; B65D 85/60  
See application file for complete search history.

**FOREIGN PATENT DOCUMENTS**

GB 2504852 2/2014  
JP 200062869 2/2000

\* cited by examiner

*Primary Examiner* — Derrick Holland  
*Assistant Examiner* — Lauren Calve  
(74) *Attorney, Agent, or Firm* — McGuireWoods LLP

(57) **CLAIM**

The ornamental design for a blade dispenser, as shown and described.

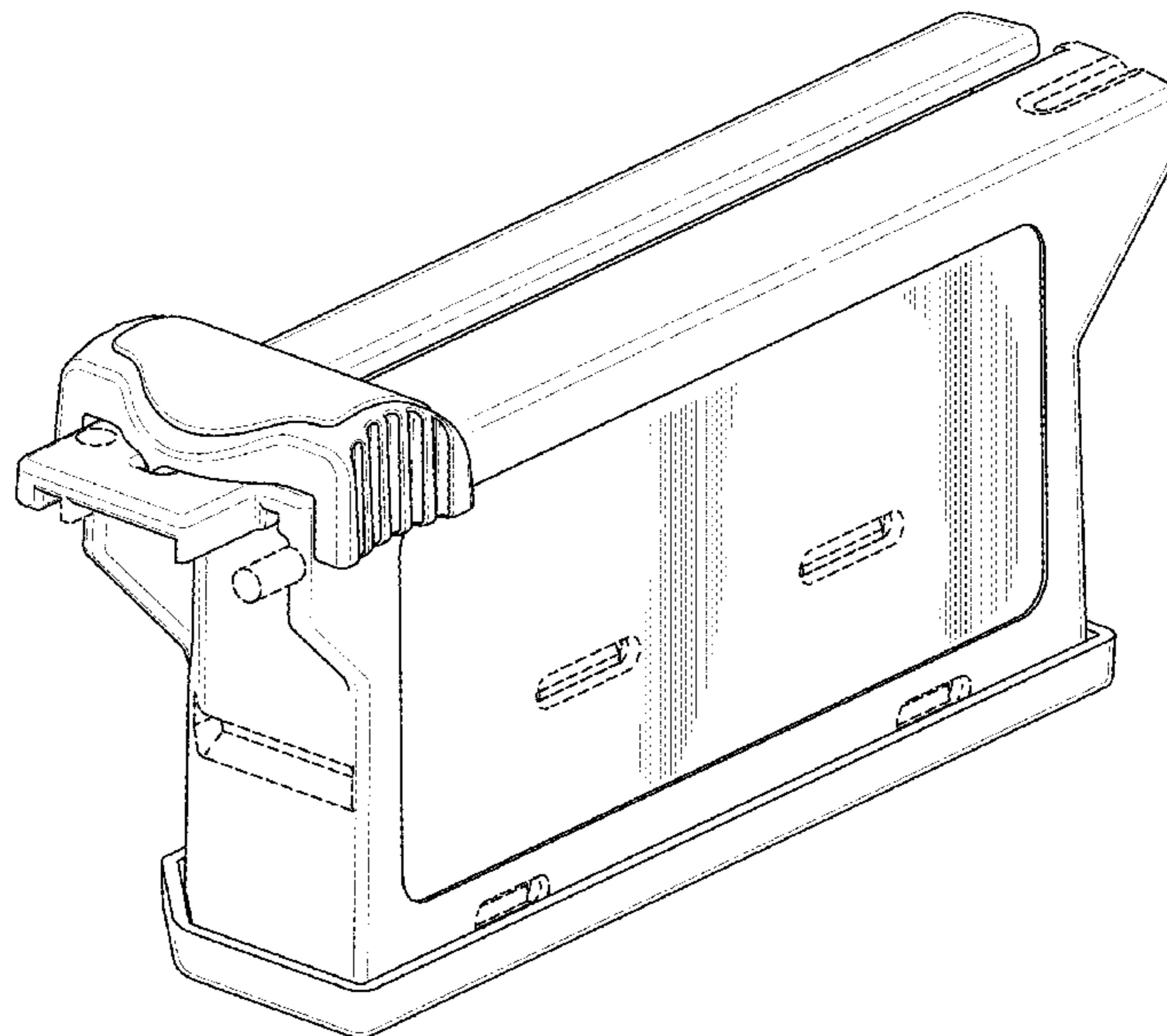
**DESCRIPTION**

FIG. 1 is a top perspective view of a blade dispenser.  
FIG. 2 is a second top perspective view thereof.  
FIG. 3 is a bottom perspective view thereof.  
FIG. 4 is a side view thereof.  
FIG. 5 is an opposed side view  
FIG. 6 is a top view.  
FIG. 7 is a bottom view.  
FIG. 8 is an end view; and,  
FIG. 9 is an opposed end view.  
The broken lines shown represent unclaimed subject matter and form no part of the claimed design.

(56) **References Cited**  
U.S. PATENT DOCUMENTS

2,637,900 A \* 5/1953 Thompson ..... B26B 21/24  
206/356  
2,653,704 A \* 9/1953 Nelson ..... B65D 83/10  
206/355  
D227,753 S \* 7/1973 Muncy ..... D9/735  
D231,202 S \* 4/1974 Stratford et al. .... D9/735  
D231,670 S \* 5/1974 Haworth et al. .... D9/735  
3,827,597 A 8/1974 Braginetz

**1 Claim, 7 Drawing Sheets**



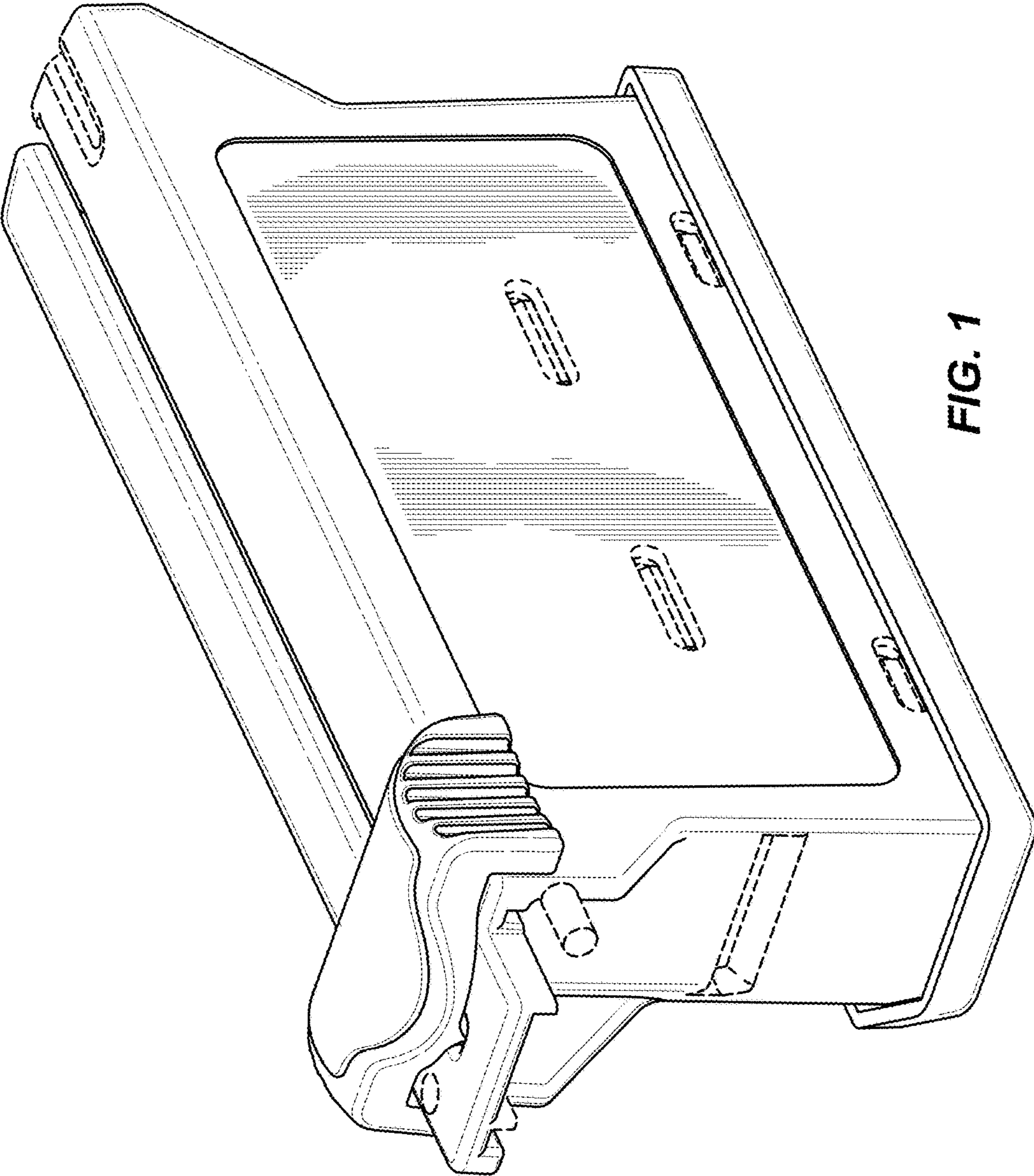


FIG. 1

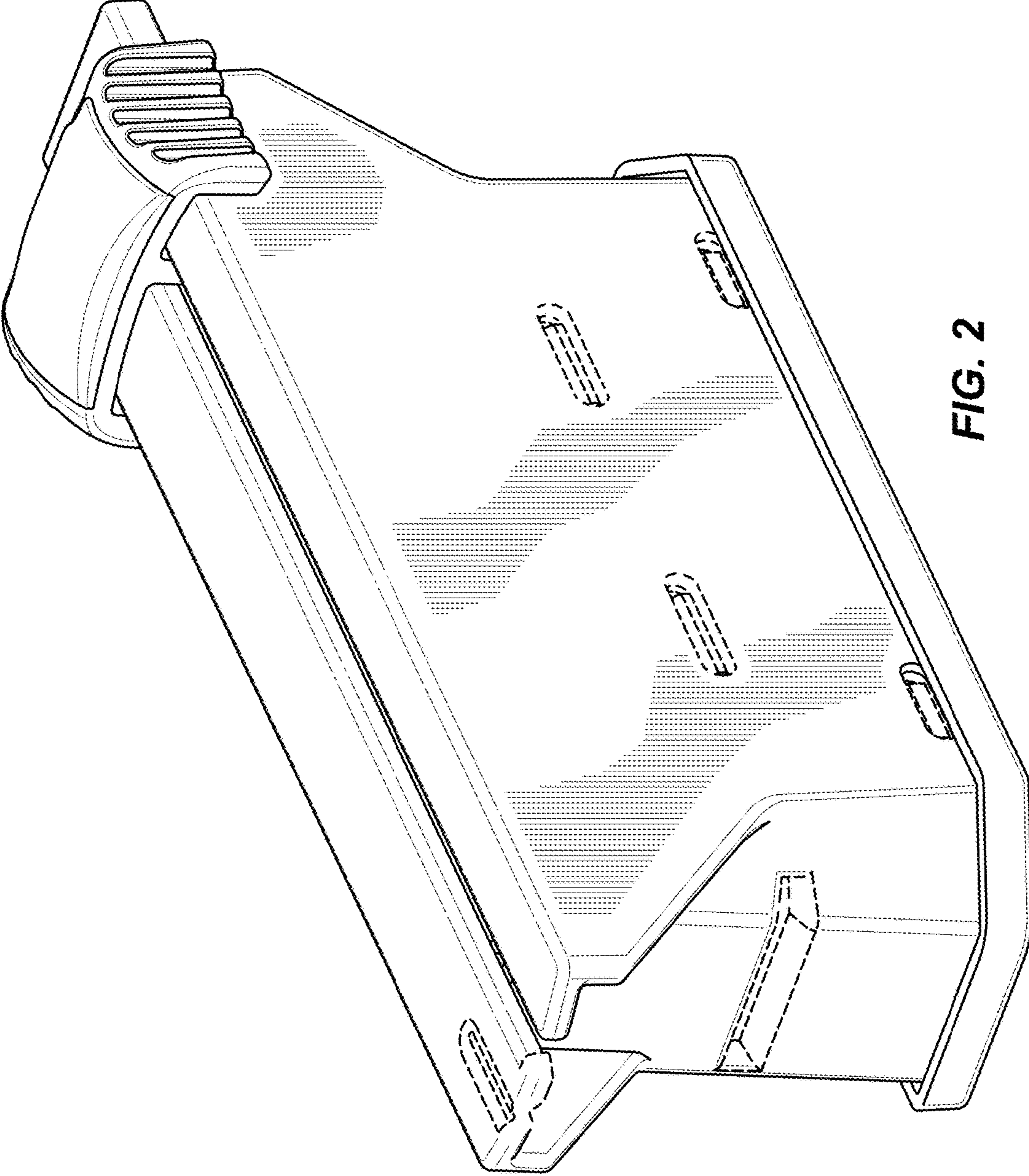


FIG. 2

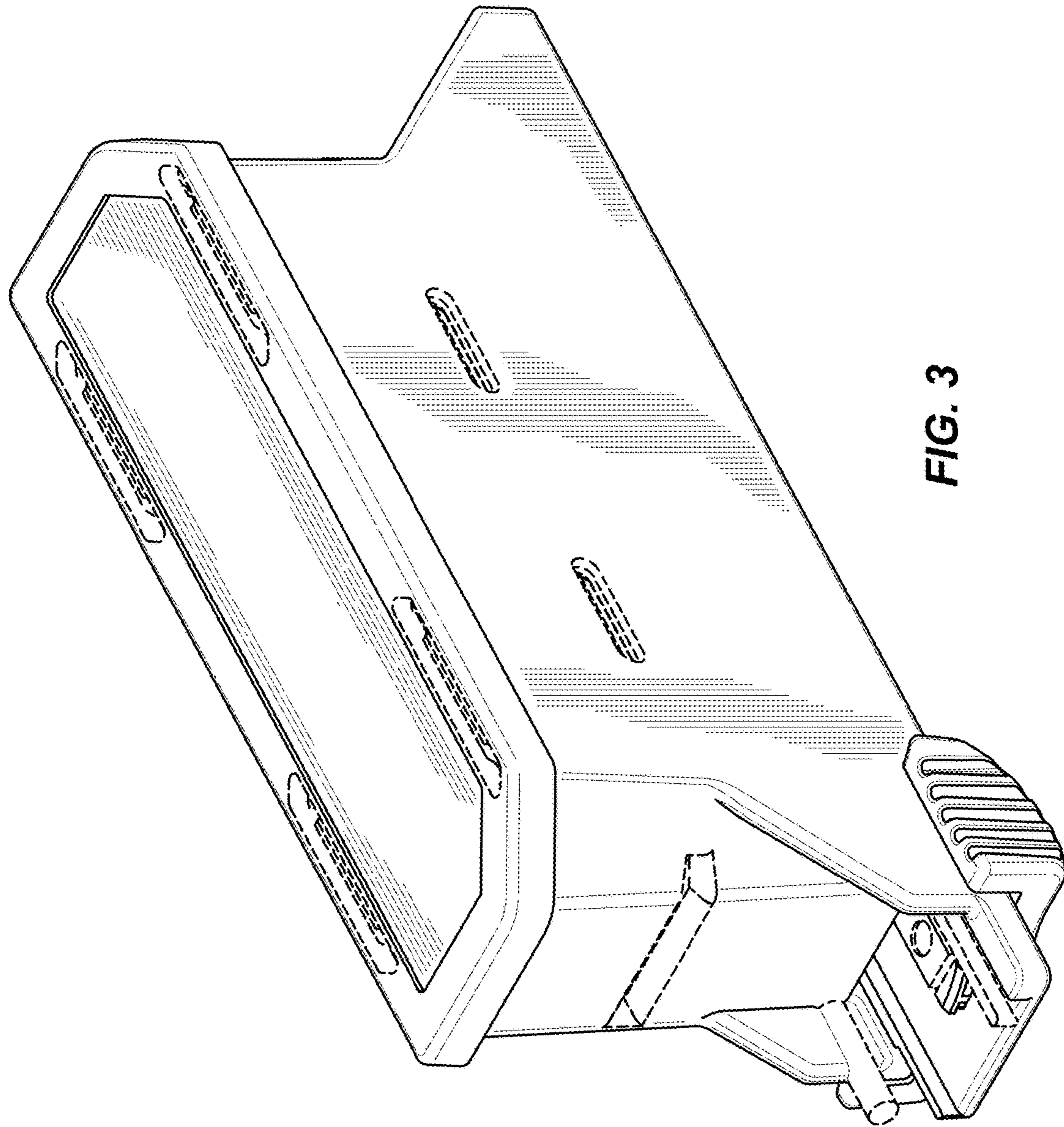


FIG. 3

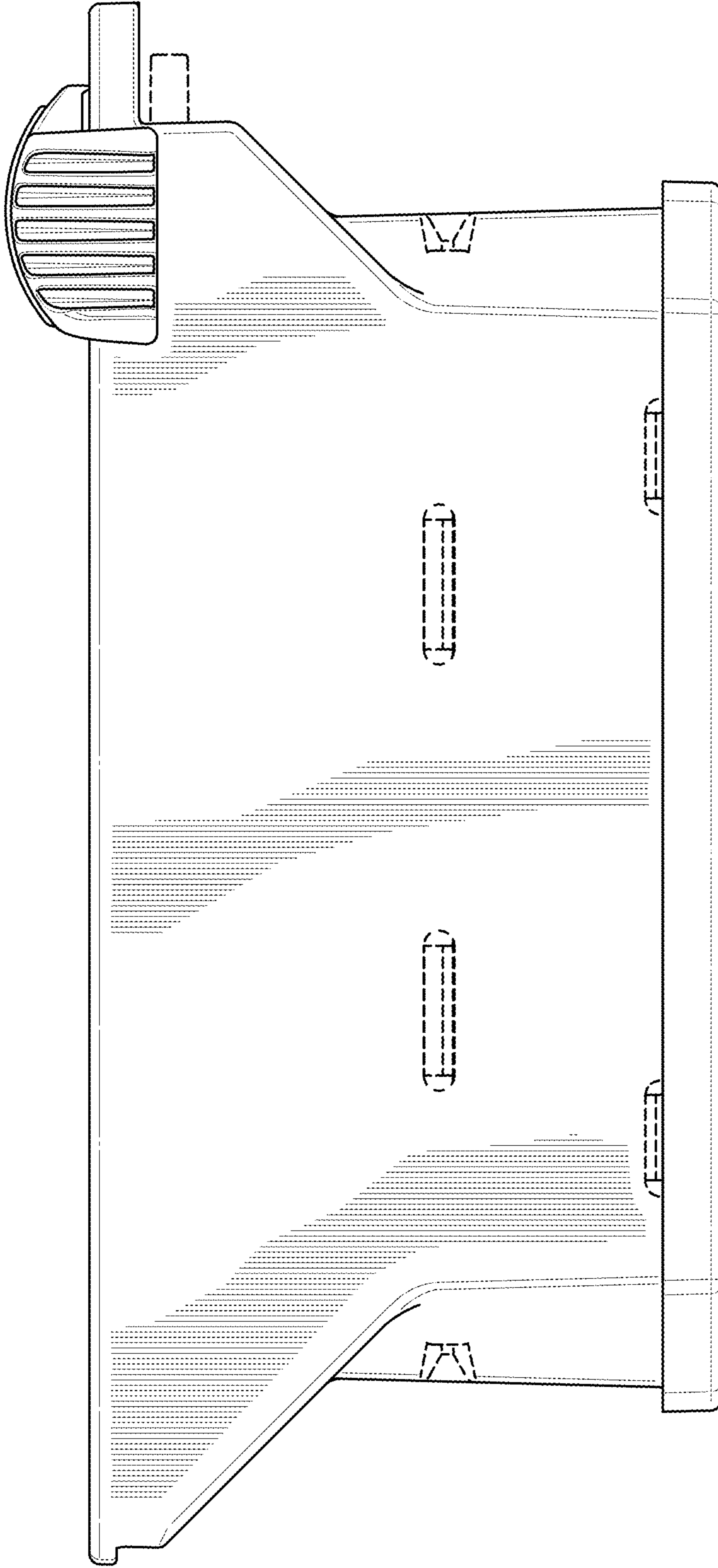


FIG. 4

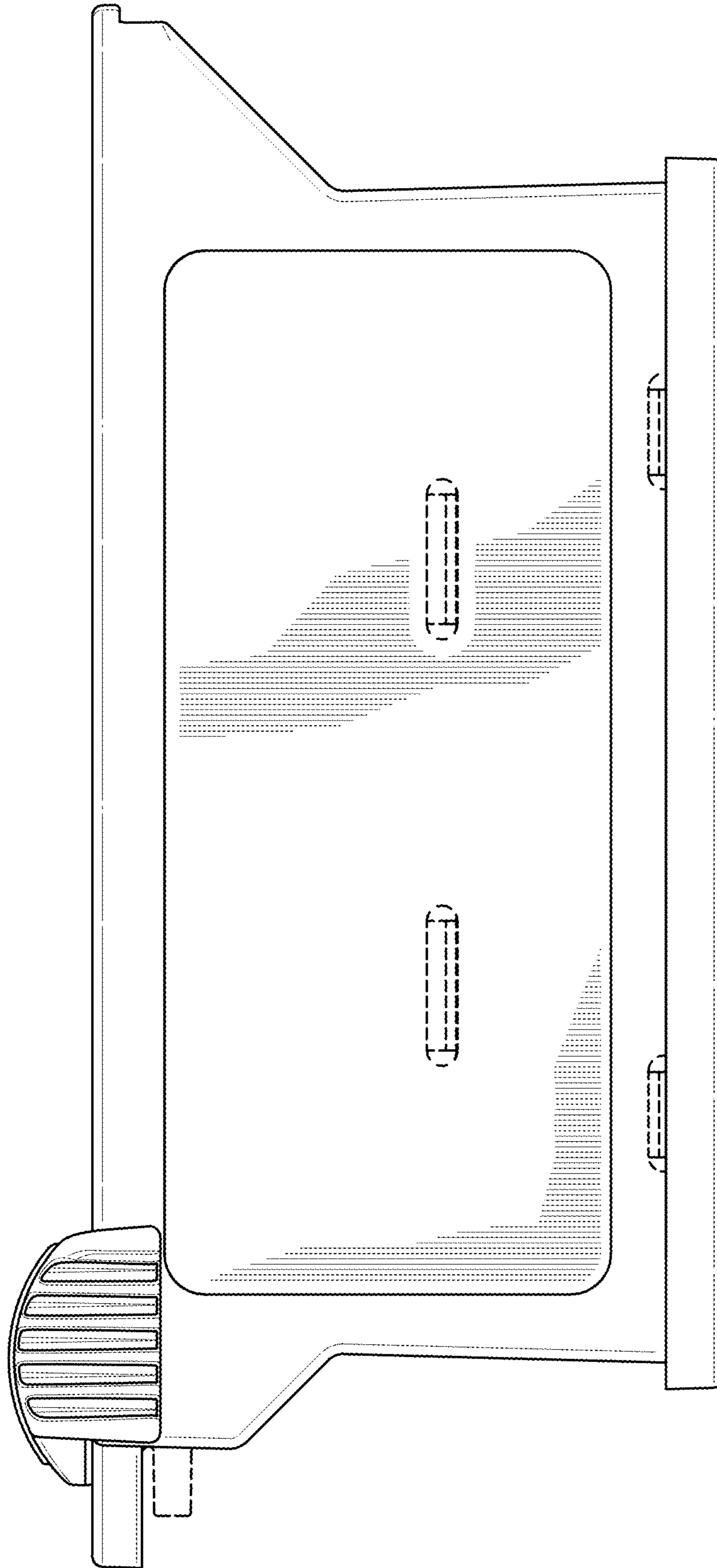


FIG. 5

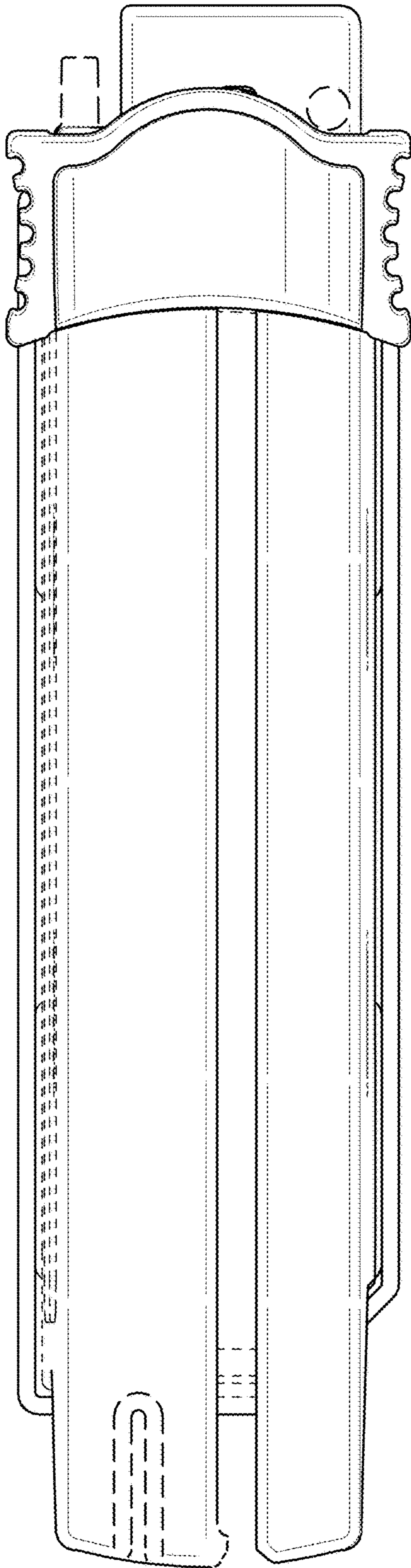


FIG. 6

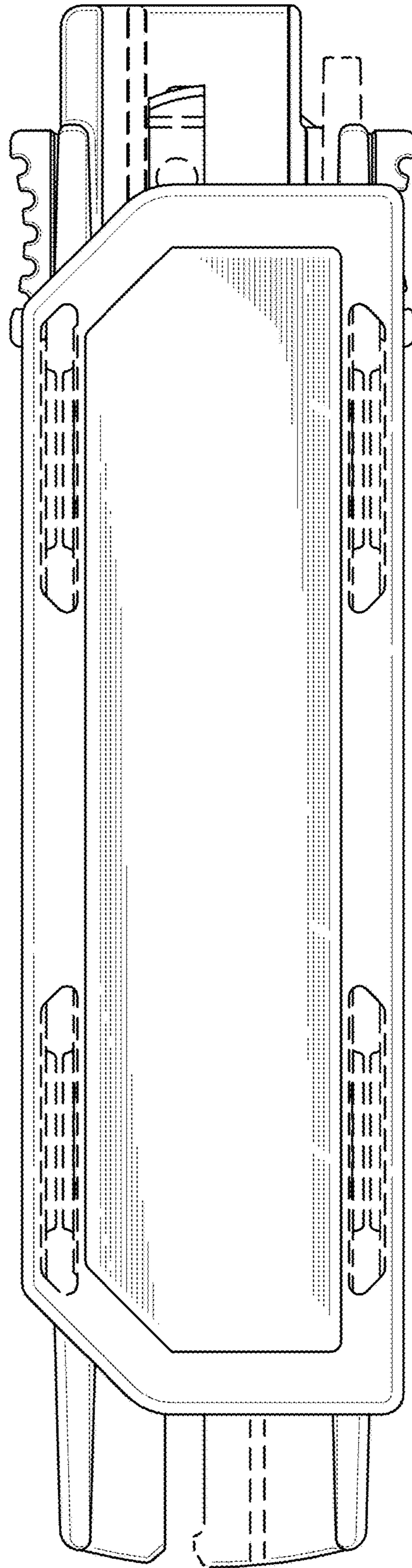


FIG. 7

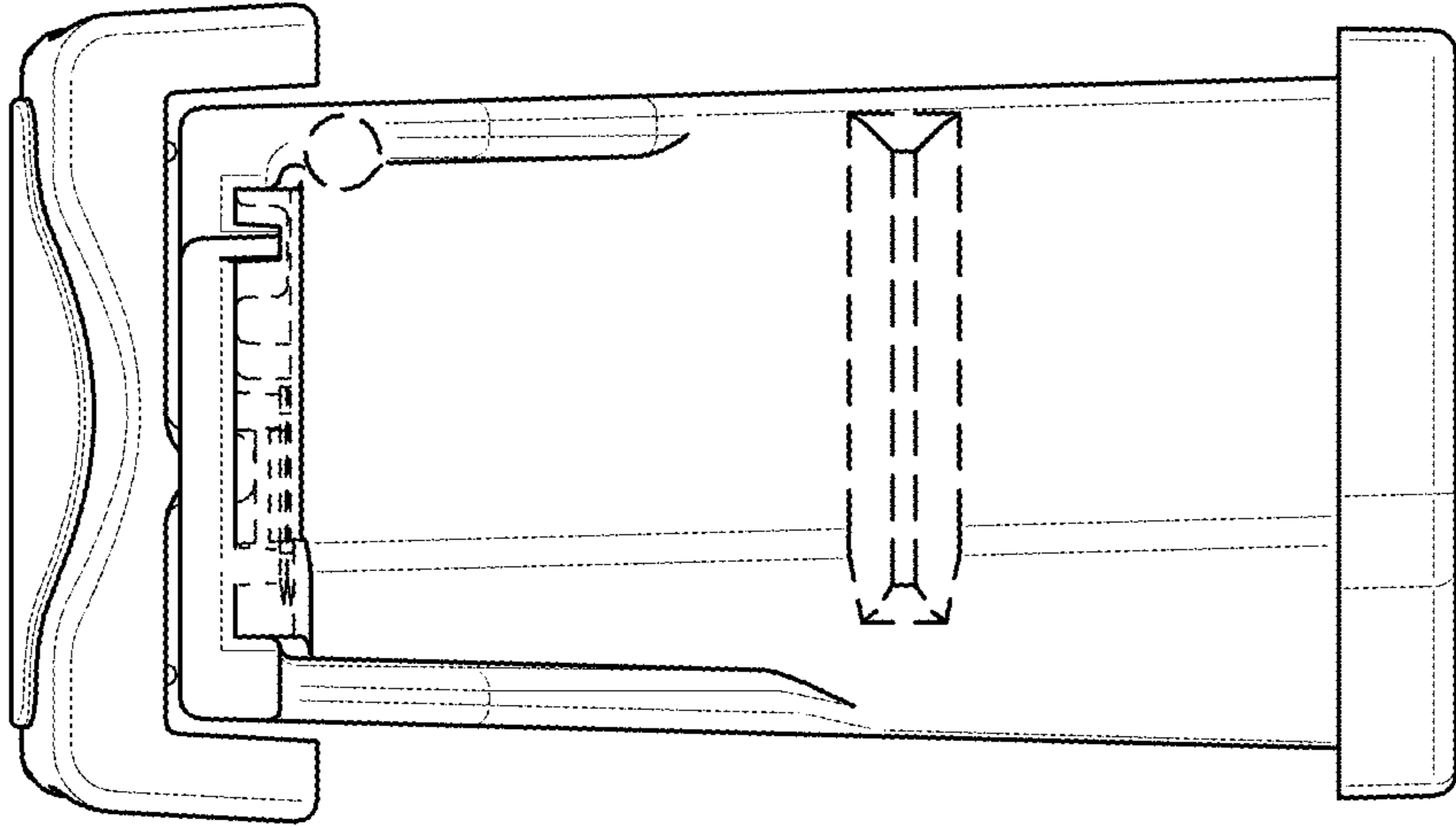


FIG. 9

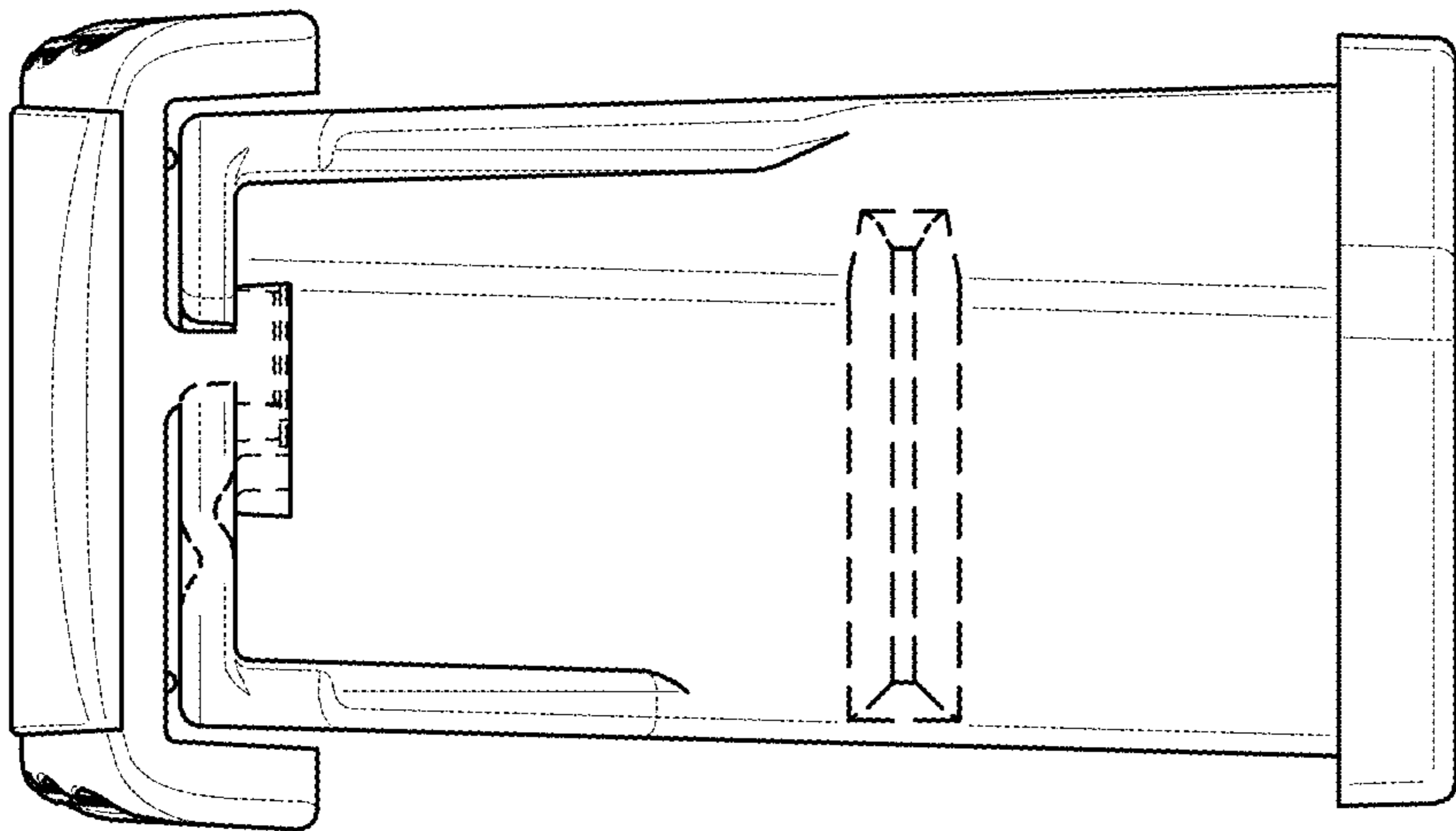


FIG. 8