



US00D779334S

(12) **United States Design Patent**
White et al.

(10) **Patent No.:** **US D779,334 S**

(45) **Date of Patent:** **** Feb. 21, 2017**

- (54) **FRAGRANCE CONTAINER**
- (71) Applicant: **Access Business Group International LLC**, Ada, MI (US)
- (72) Inventors: **Mark K. White**, Grand Rapids, MI (US); **Chad Lavigne**, New York, NY (US)
- (73) Assignee: **Access Business Group International LLC**, Ada, MI (US)
- (**) Term: **15 Years**
- (21) Appl. No.: **29/536,204**
- (22) Filed: **Aug. 14, 2015**
- (51) **LOC (10) Cl.** **09-01**
- (52) **U.S. Cl.**
USPC **D9/556**
- (58) **Field of Classification Search**
USPC D9/435, 436, 440, 445, 447, 449, 450, D9/453, 452, 442, 500–505, 520–522, D9/529, 550, 556, 546, 562–572, 512, D9/530, 532–543, 548, 516, 574, 575, D9/526, 558–561, 519, 726–729, 738, D9/740, 746, 764, 752, 759, 767, D9/772–783, 904; D3/202, D3/203.1–203.4, 203.7; D28/82, 4–8; D19/66, 115–179; D7/396.2, 509–511, D7/523, 590; D6/515, 542; D14/114, 485; D24/119, 197; D34/1, 2
CPC B65D 88/54; B65D 83/00; B65D 83/04; B65D 11/04; B65D 11/00; B65D 90/02; B65D 90/12; B65D 23/102; B65D 21/024; B65D 1/42; B65D 1/46; B65D 1/02; B65D 1/0207; B65D 1/023; B65D 1/04; B65D 1/10; B65D 1/12; B65D 1/14; B65D 1/16; B65D 1/165; B65D 1/18; B65D 1/0246; B65D 1/0238; B65D 1/0223; B65D 1/0215; B65D 13/02; B65D 23/00; B65D 35/00; B65D 35/02; B65D 35/04; B65D 35/56; B65D 35/08; B65D 39/00; B65D 39/0005; B65D 39/0029; B65D 41/0428; B65D 41/04; B65D 41/0435; B65D 41/0442; B65B 7/28; A61J 9/00; A45F 5/00; B29C 33/005

See application file for complete search history.

(56) **References Cited**

U.S. PATENT DOCUMENTS

- D143,657 S * 1/1946 Graham D9/544
- D186,245 S * 9/1959 Du Pree D7/317
- D194,809 S * 3/1963 Du Pree D9/544

(Continued)

OTHER PUBLICATIONS

“Magnifique by Lancome 1.7/1.6 oz./50ml Eau De Parfume Spray for Women New in Box” Apr. 2, 2013, amazon.com, site visited Nov. 21, 2016 <<http://www.ebay.com/itm/Magnifique-By-Lancome-1-7-1-6-oz-50ml-Eau-De-Parfume-Spray-For-Women-New-In-Box-/361758576240#rwid>>.*

Primary Examiner — Kevin Rudzinski

Assistant Examiner — Paul Bohannon

(74) *Attorney, Agent, or Firm* — Warner Norcross & Judd LLP

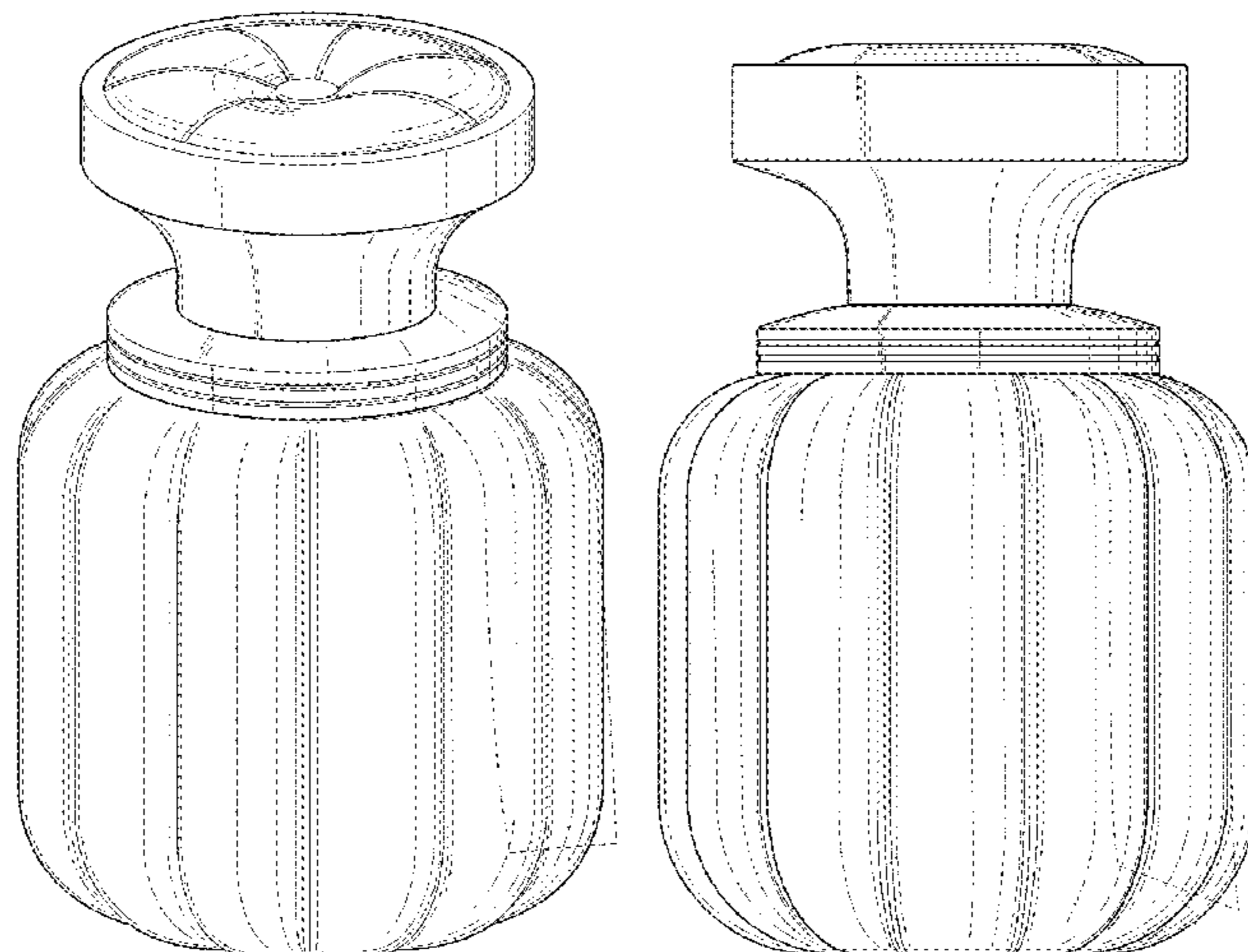
(57) **CLAIM**

The ornamental design for fragrance container, as shown and described.

DESCRIPTION

FIG. 1 is a perspective view of the fragrance container embodying the new design; FIG. 2 is a right side view thereof; FIG. 3 is a left side view thereof; FIG. 4 is a front view thereof; FIG. 5 is a rear view thereof; FIG. 6 is a top view thereof; and, FIG. 7 is a bottom view thereof. FIGS. 1-7 show features of a fragrance container in phantom lines. These features are shown for environmental purposes and do not form any part of the claimed design. Further, the phantom lines immediately adjacent the solid-line portions of the design form the boundary of the design, with the phantom lines forming no part of the claimed design.

1 Claim, 6 Drawing Sheets



(56)

References Cited

U.S. PATENT DOCUMENTS

D207,802 S *	5/1967	Du Pree	D7/300
D257,956 S *	1/1981	Ito	D9/544
D333,269 S *	2/1993	Albright	D9/439
D589,818 S *	4/2009	Veillet	D9/694
D632,969 S *	2/2011	Monteparo	D9/444
D659,548 S *	5/2012	de France	D9/694
D678,073 S *	3/2013	Oge-Nichols	D9/542
D740,127 S *	10/2015	Chertoff	D9/444
D748,489 S *	2/2016	Ricci	D9/562
D770,910 S *	11/2016	Monteparo	D9/520

* cited by examiner

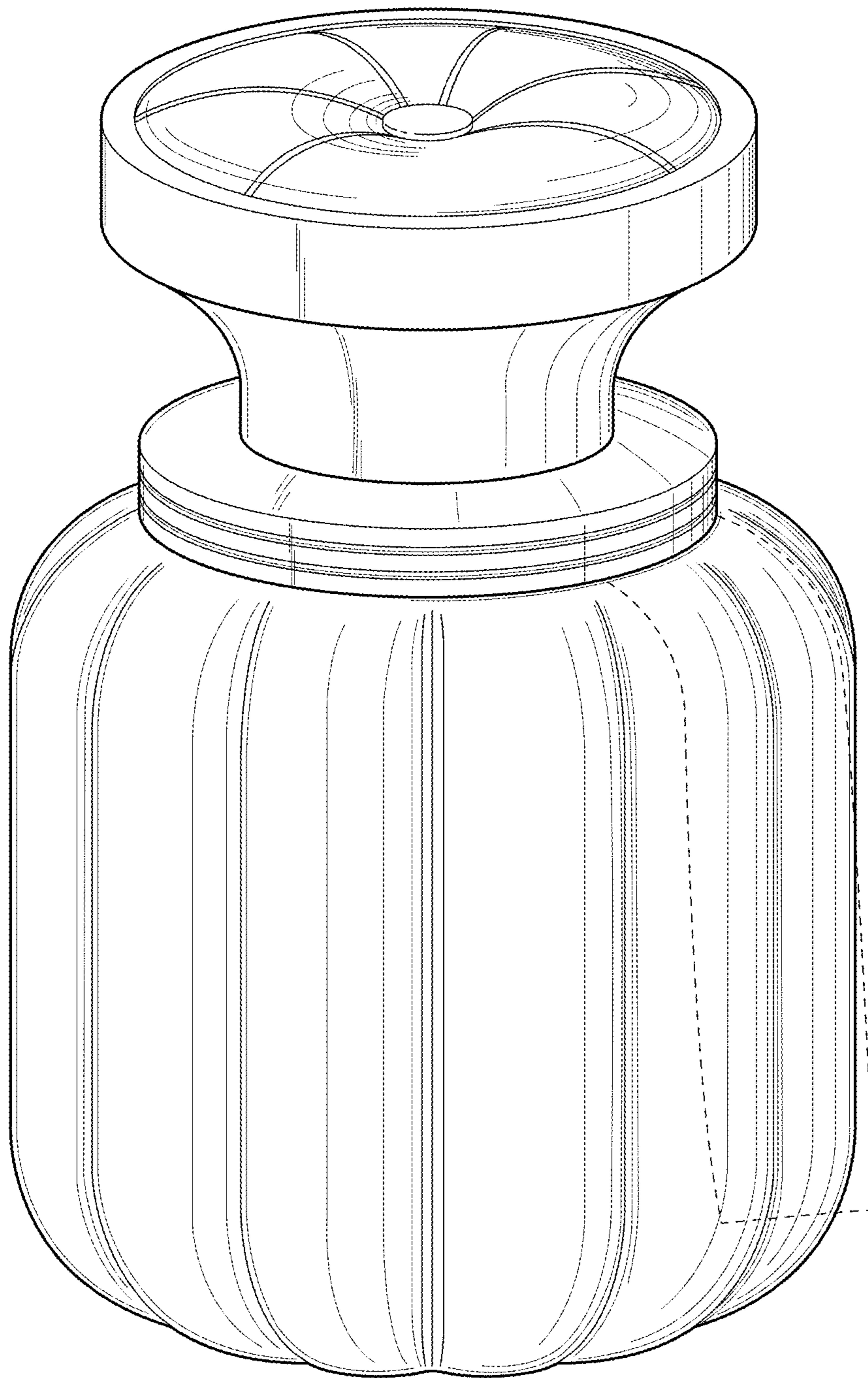


Fig. 1

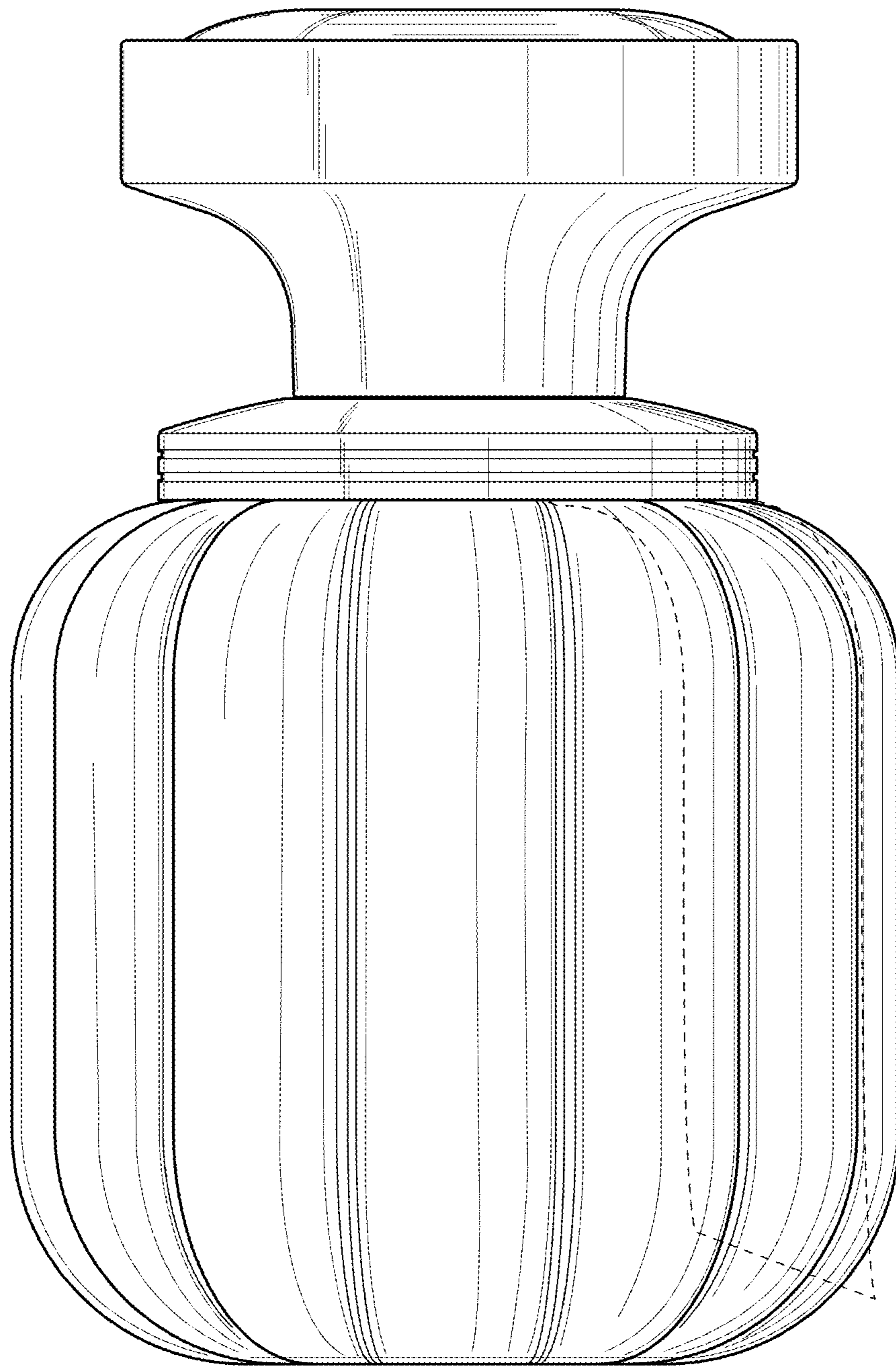


Fig. 2

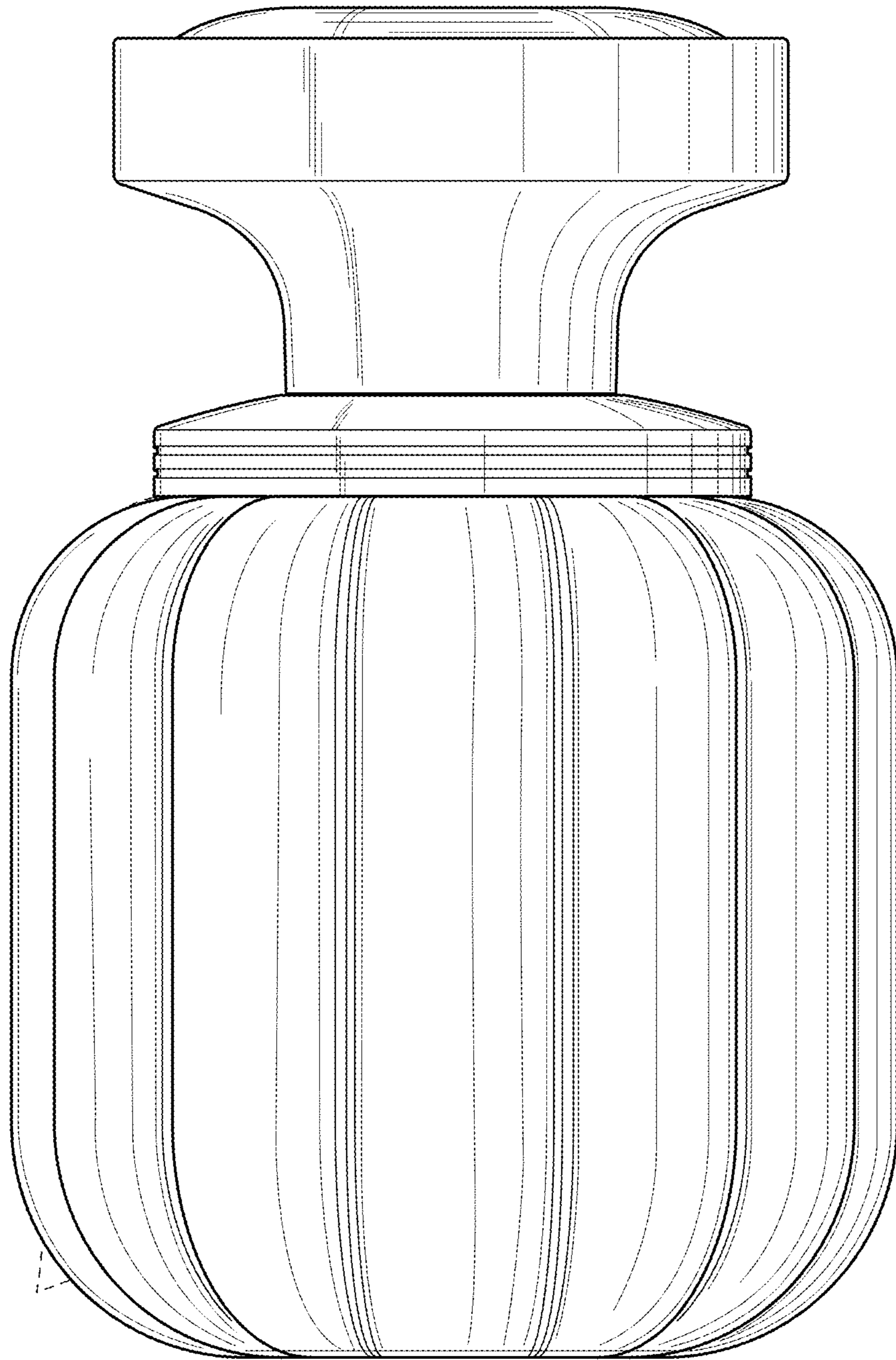


Fig. 3

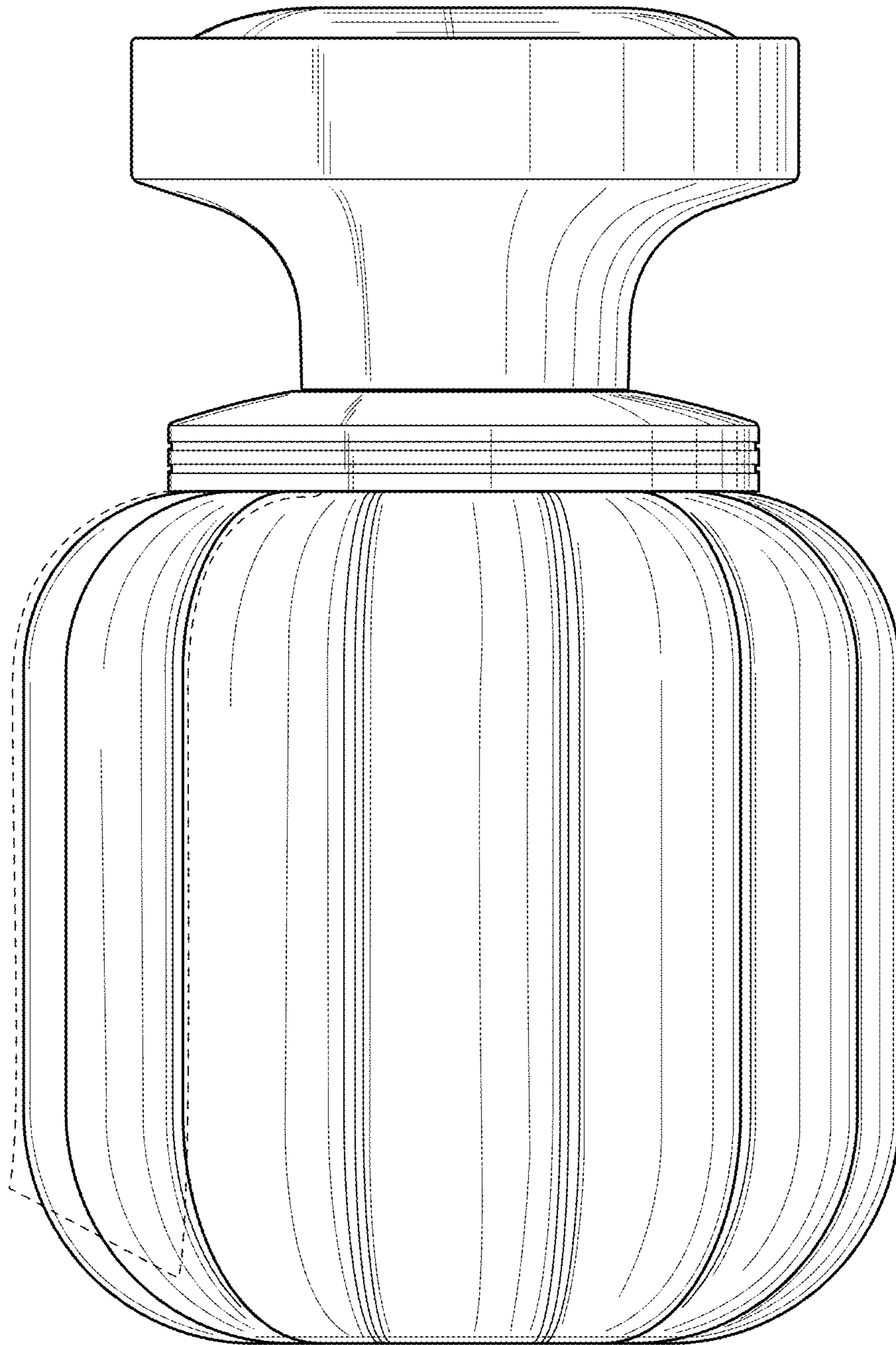


Fig. 4

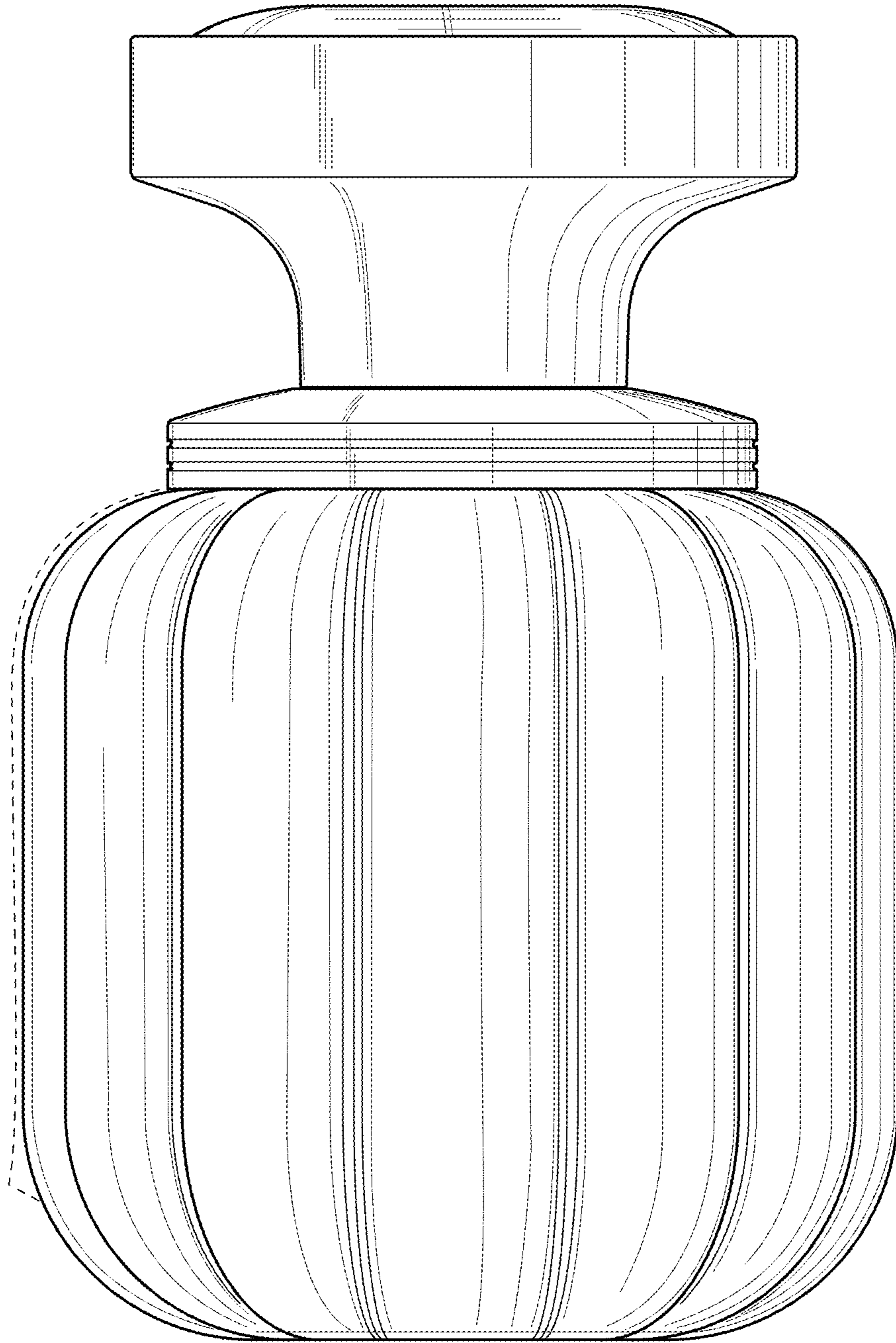


Fig. 5

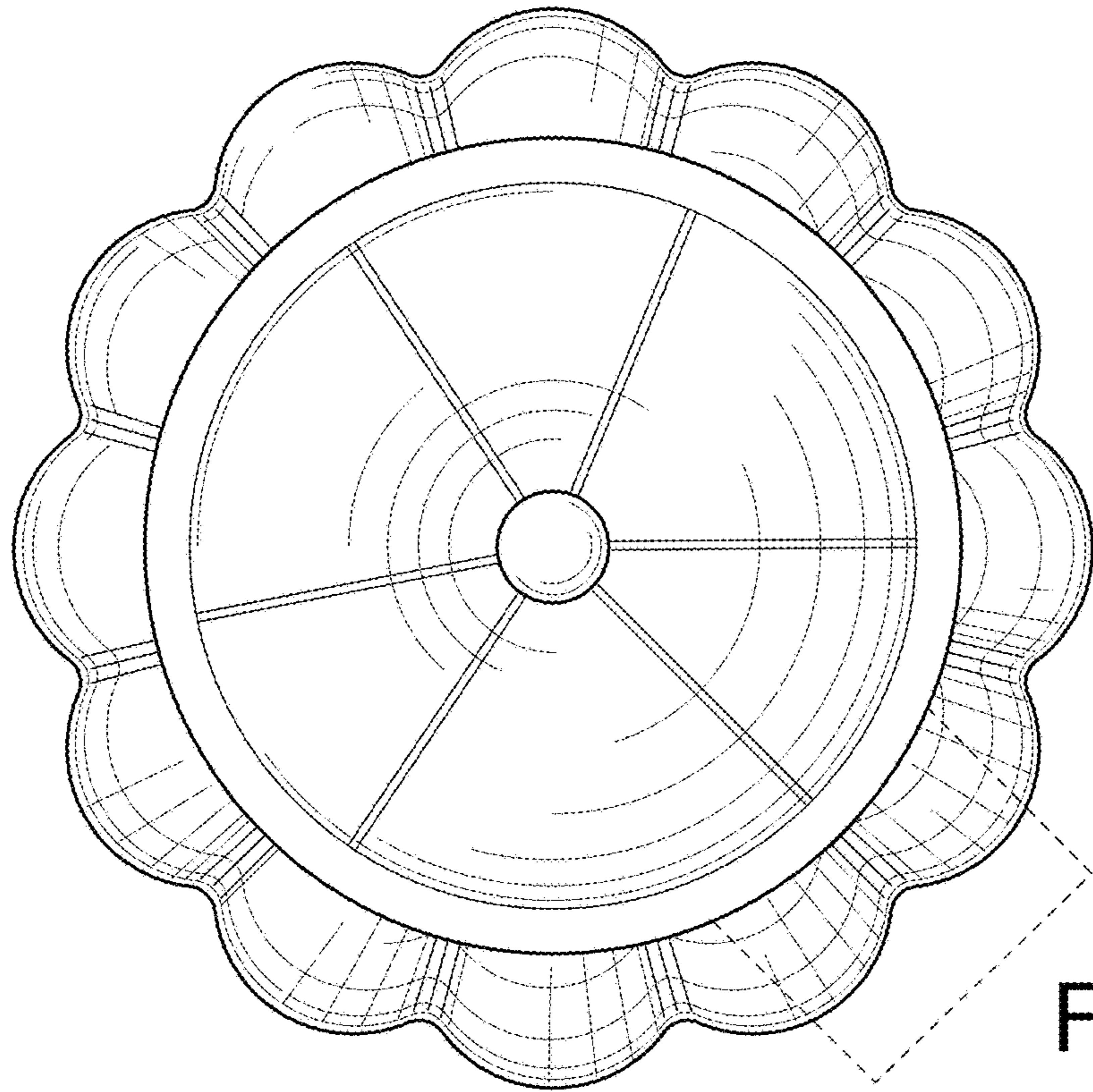


Fig. 6

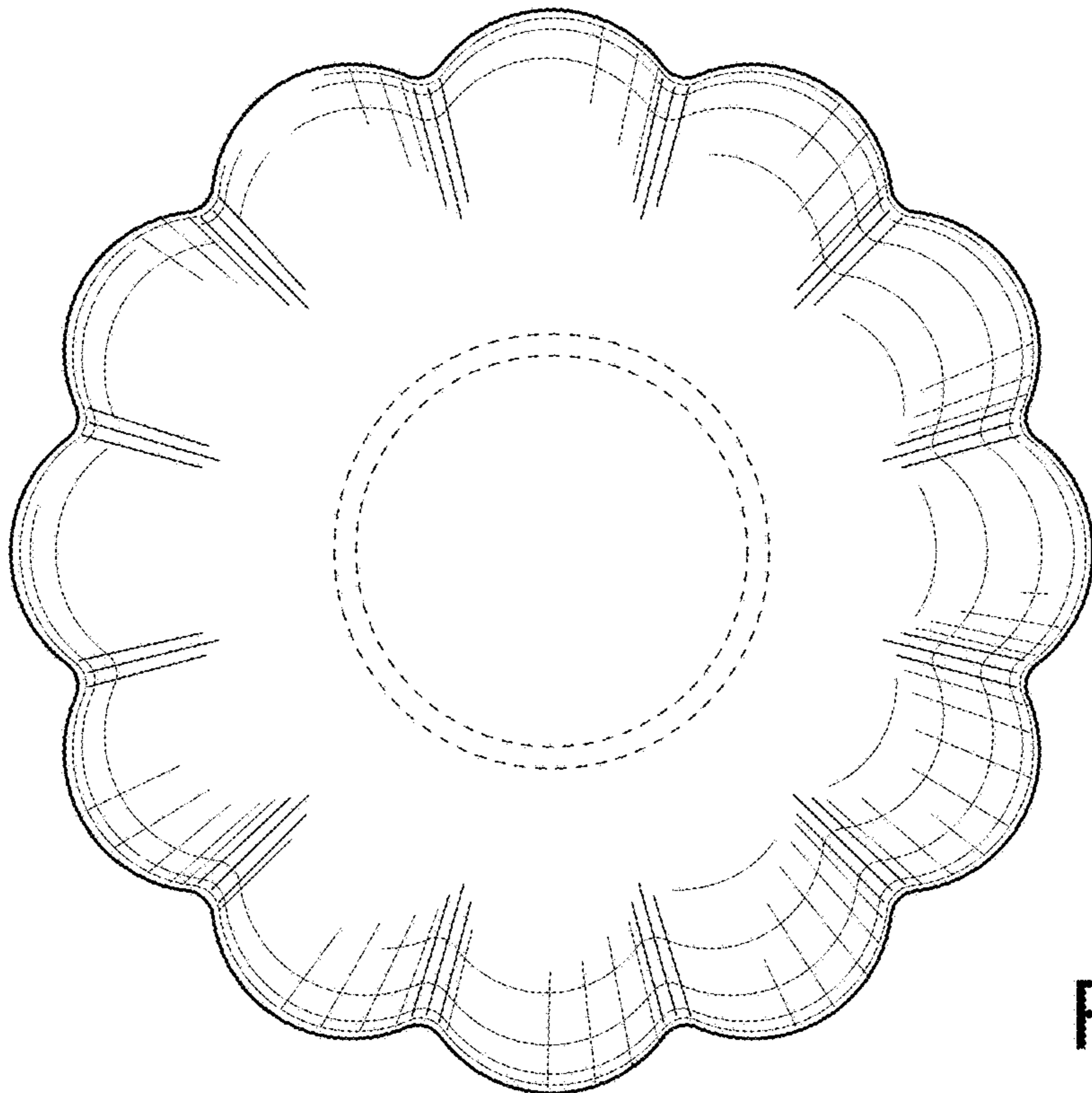


Fig. 7