



US00D779331S

(12) **United States Design Patent**
Robson

(10) **Patent No.:** **US D779,331 S**

(45) **Date of Patent:** **** Feb. 21, 2017**

(54) **CONTAINER**

(71) Applicant: **Michael Donald Robson**, Johannesburg
(ZA)

(72) Inventor: **Michael Donald Robson**, Johannesburg
(ZA)

(**) Term: **14 Years**

(21) Appl. No.: **29/518,304**

(22) Filed: **Feb. 23, 2015**

(30) **Foreign Application Priority Data**

Aug. 25, 2014 (EM) 002524264

(51) **LOC (10) Cl.** **09-01**

(52) **U.S. Cl.**
USPC **D9/523; D9/569; D9/575; D18/56**

(58) **Field of Classification Search**
USPC D9/516, 523, 528, 530, 559, 560,
564, D9/569, 572, 575, 715, 719; D7/301,
302, 598, D7/619.1, 619.2; D18/56
CPC B65D 85/00; B65D 1/02; B65D 1/12;
B65D 1/18; B65D 1/20; B65D 21/0237
See application file for complete search history.

(56) **References Cited**

U.S. PATENT DOCUMENTS

D118,593 S * 1/1940 Du Pree D9/638
D164,473 S * 9/1951 Broes, Sr. D28/46
D269,248 S * 6/1983 Ziccardi D9/523
D285,658 S * 9/1986 Katz D9/531
D293,209 S * 12/1987 Cahusak D9/523

D341,781 S * 11/1993 Sanyal D9/516
D376,208 S * 12/1996 Rasmussen D24/224
D458,140 S * 6/2002 Hutchins D9/523
D517,414 S * 3/2006 Abadinsky D9/522
D519,032 S * 4/2006 Abadinsky D9/522
D520,365 S * 5/2006 Andoh D9/522
D521,389 S * 5/2006 Andoh D9/542
D521,390 S * 5/2006 Andoh D9/542
D521,391 S * 5/2006 Andoh D9/522
D559,108 S * 1/2008 Regas D9/522
D642,062 S * 7/2011 Adams D9/526
D646,974 S * 10/2011 Latour D9/452
D692,304 S * 10/2013 Cota Castillo D9/520
D739,258 S * 9/2015 Mai D9/543

* cited by examiner

Primary Examiner — Ian Simmons

Assistant Examiner — Keith Frank

(74) *Attorney, Agent, or Firm* — Tutunjian & Bitetto, P.C.

(57) **CLAIM**

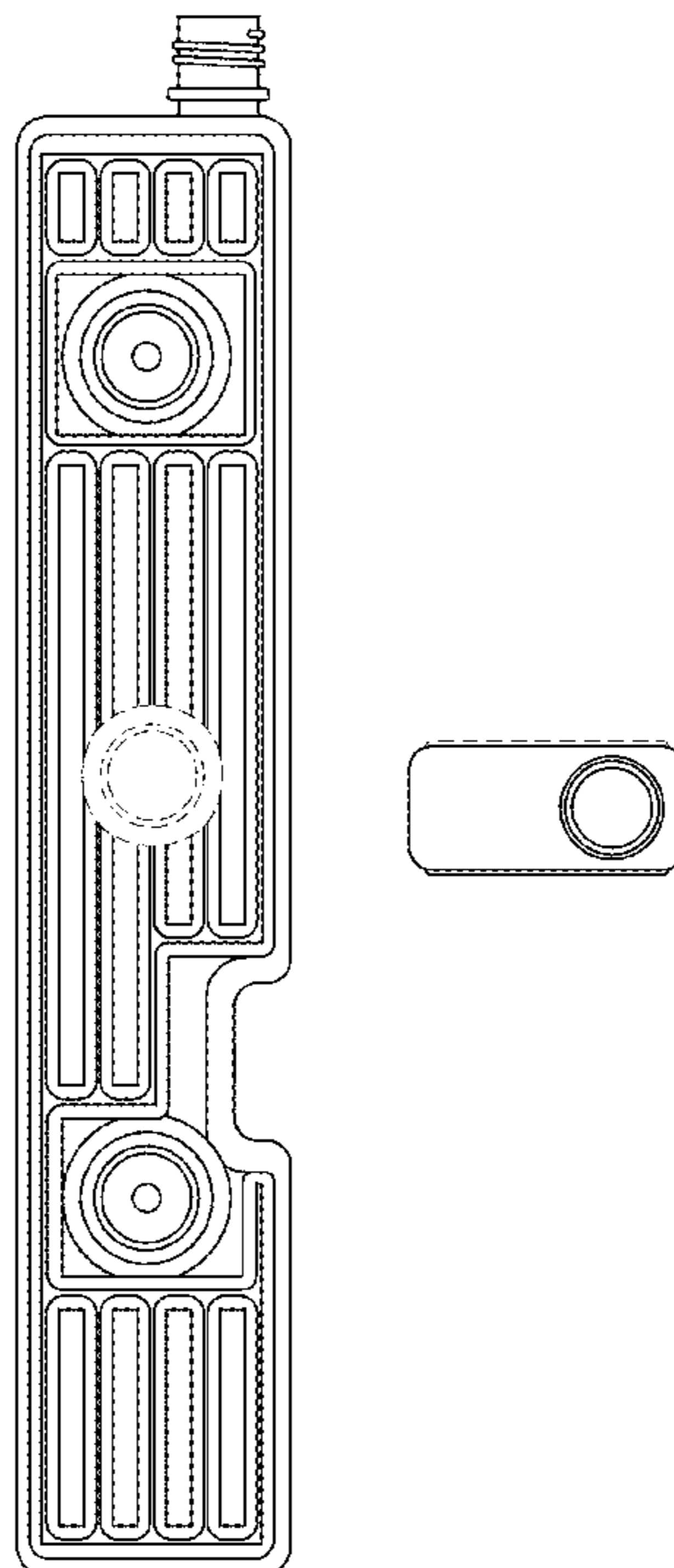
The ornamental design for a container, as shown and described.

DESCRIPTION

FIG. 1 is a perspective view of the container showing my new design;
FIG. 2 is a top view thereof;
FIG. 3 is a right side view thereof;
FIG. 4 is a rear view thereof;
FIG. 5 is a bottom view thereof;
FIG. 6 is a left side view thereof; and,
FIG. 7 is a front view thereof.

The broken lines in the drawings illustrate the portions of the container that form no part of the claim.

1 Claim, 3 Drawing Sheets



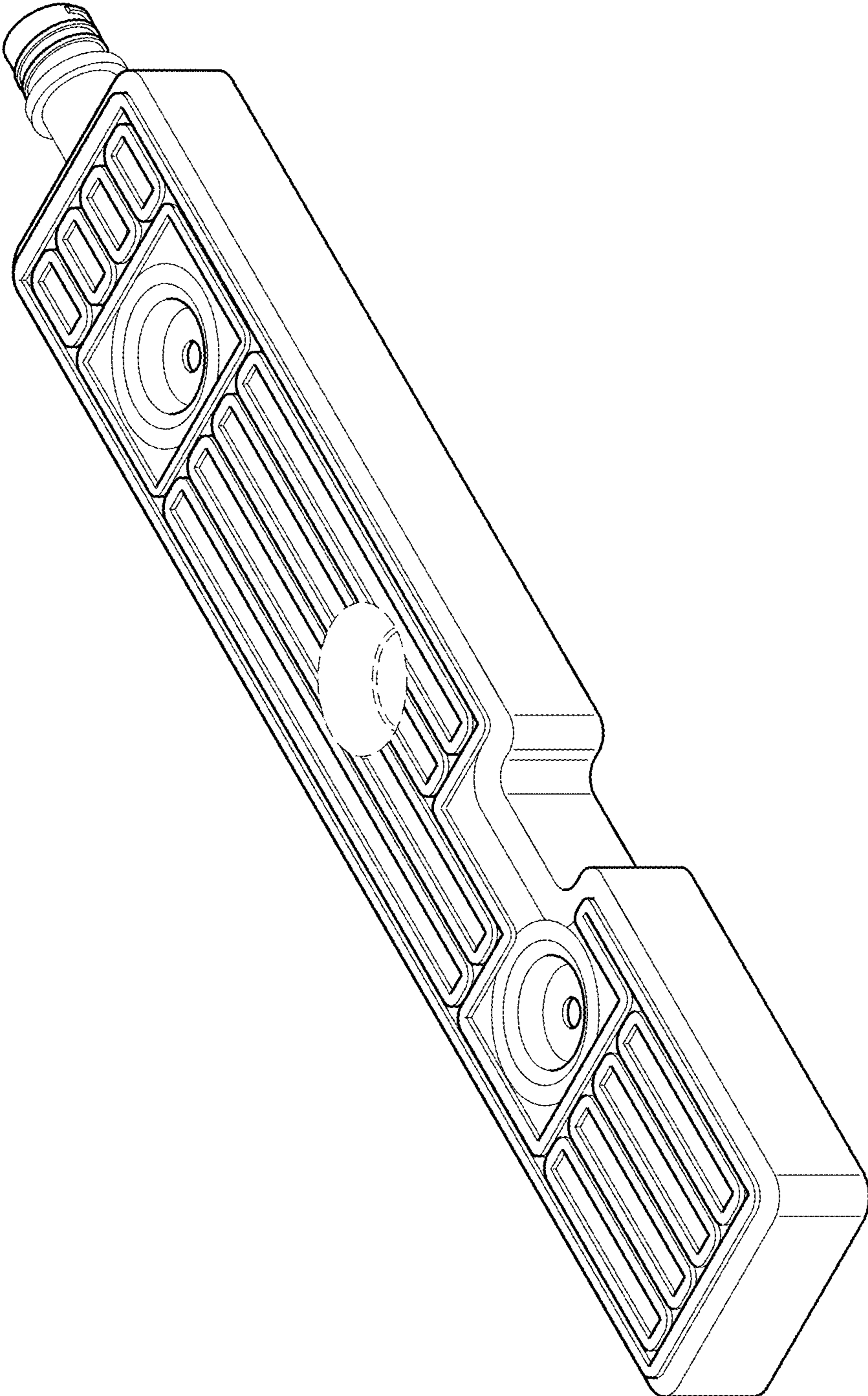


FIGURE 1

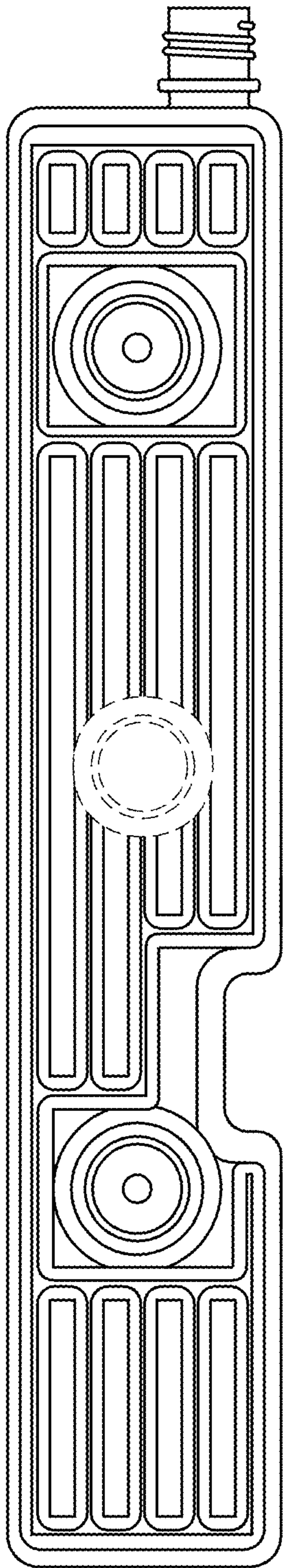


FIGURE 2

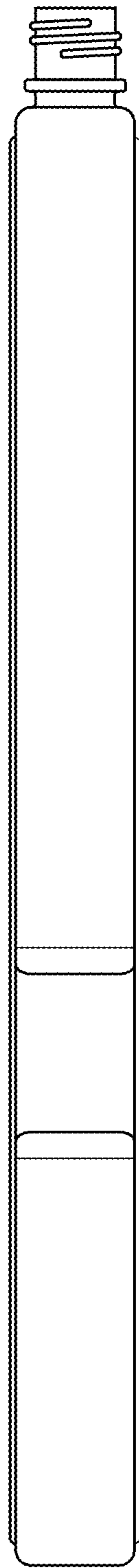


FIGURE 3

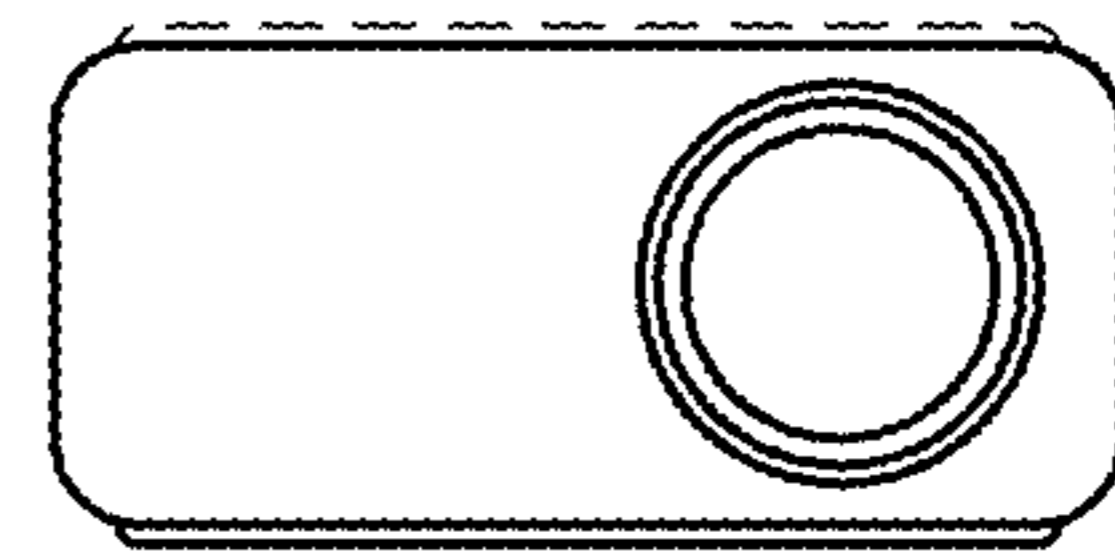


FIGURE 4

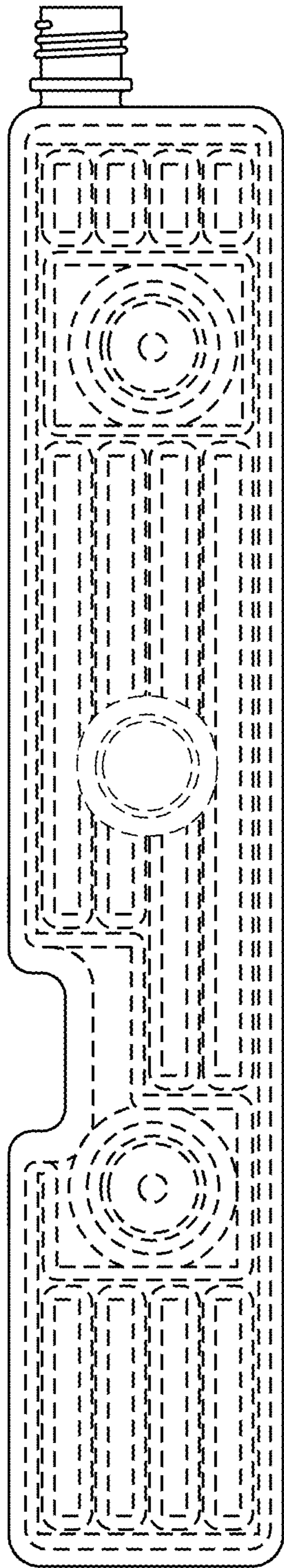


FIGURE 5

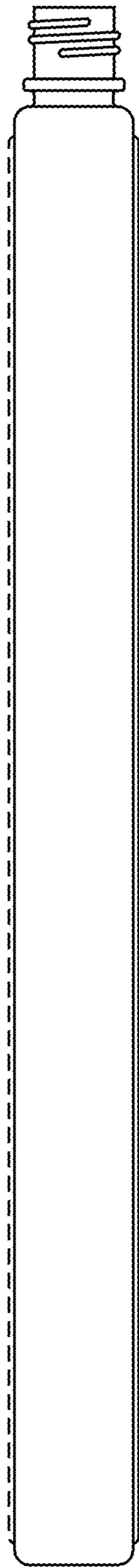


FIGURE 6



FIGURE 7