



US00D779329S

(12) **United States Design Patent** (10) **Patent No.:** **US D779,329 S**
Buogo et al. (45) **Date of Patent:** **** Feb. 21, 2017**

(54) **JAR**

(56) **References Cited**

(71) Applicant: **Reckitt Benckiser (Brands) Limited**,
Berkshire (GB)

U.S. PATENT DOCUMENTS

(72) Inventors: **Alberto Buogo**, Berkshire (GB);
Richard Clough, Warwick (GB);
Samuel Guo, Guangdong (CN)

D480,000 S *	9/2003	Hirato	D9/504
D504,615 S *	5/2005	Papiernik	D9/519
D579,776 S *	11/2008	Hirato	D9/504
D624,426 S *	9/2010	Currington	D9/435
D627,650 S *	11/2010	Yeung	D28/9
D650,280 S *	12/2011	de Peyerimhoff	D9/454
D651,903 S *	1/2012	Teller	D9/521
D655,168 S *	3/2012	In	D9/504
D660,711 S *	5/2012	Watabe	D9/529
D664,853 S *	8/2012	Kipry	D28/73

(73) Assignee: **RECKITT BENCKISER (BRANDS) LIMITED**, Slough (GB)

(**) Term: **14 Years**

* cited by examiner

(21) Appl. No.: **29/509,630**

Primary Examiner — Ian Simmons

(22) Filed: **Nov. 19, 2014**

Assistant Examiner — Janice Lim

(30) **Foreign Application Priority Data**

(74) *Attorney, Agent, or Firm* — Troutman Sanders LLP;
Ryan Schneider

May 21, 2014 (EM) 002468355-0001
Nov. 12, 2014 (EM) 002577064-0001

(57) **CLAIM**

The ornamental design for a jar, as shown and described.

(51) **LOC (10) Cl.** **09-01**

DESCRIPTION

(52) **U.S. Cl.**
USPC **D9/519**

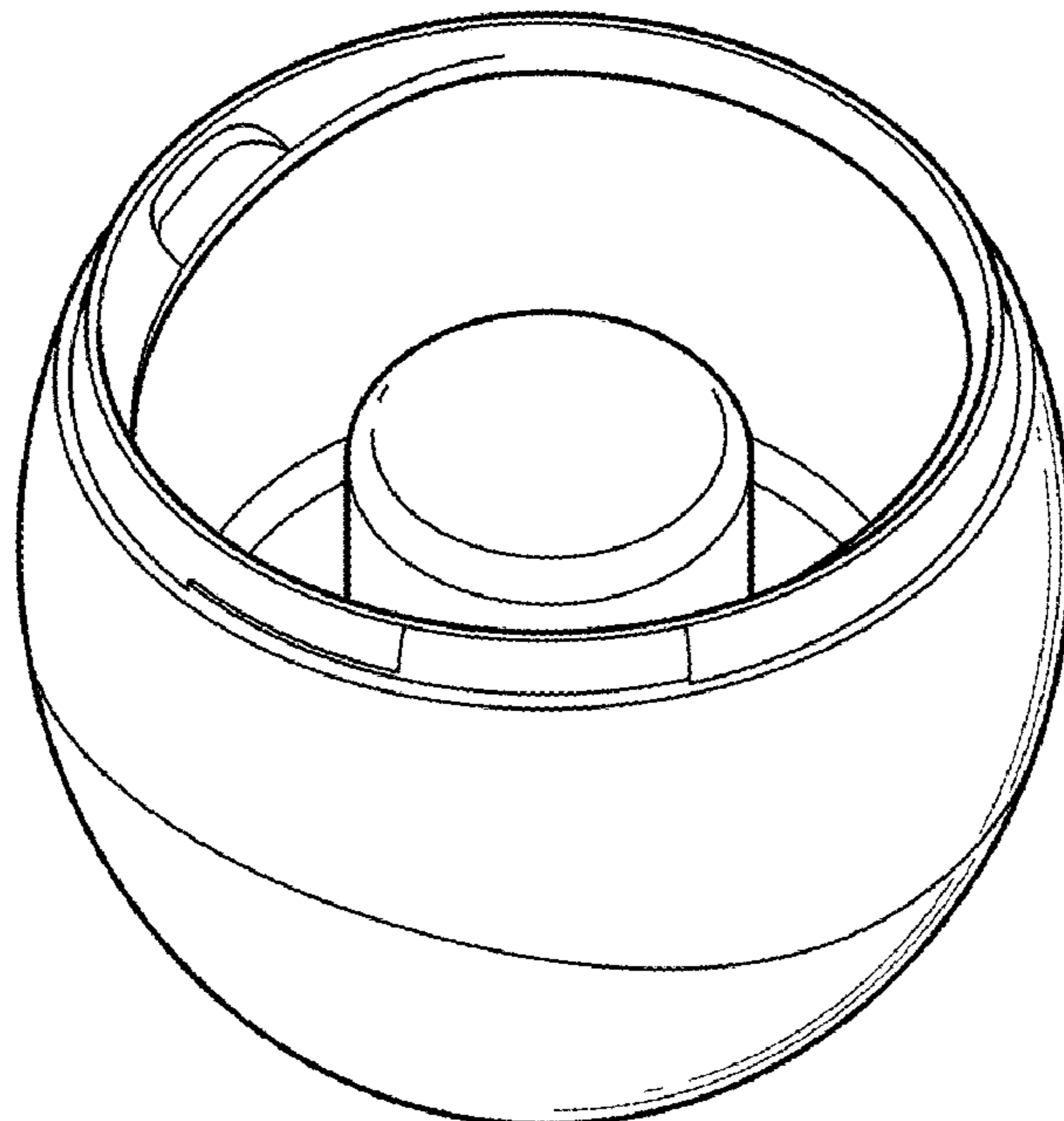
(58) **Field of Classification Search**
USPC D9/519, 529, 530, 535–537, 549, 558,
D9/574; D28/76, 82, 91; 215/206, 220,
215/222, 660, 675, 669–673; 222/548;
239/58; 392/392, 394
CPC A47K 10/421; B65B 5/04; B65B 7/16;
B65D 1/10; B65D 1/26; B65D 1/30;
B65D 1/40; B65D 6/28; B65D 11/02;
B65D 21/086; B65D 77/2024; B65D
85/72

FIG. 1 is a perspective view of a jar, showing our new design;
FIG. 2 is a front view thereof;
FIG. 3 is a back view thereof;
FIG. 4 is a side view thereof;
FIG. 5 is an opposite side view thereof;
FIG. 6 is a top plan view thereof; and,
FIG. 7 is a bottom plan view thereof.

The broken line portions are included to show unclaimed subject matter only and form no part of the claimed design.

See application file for complete search history.

1 Claim, 7 Drawing Sheets



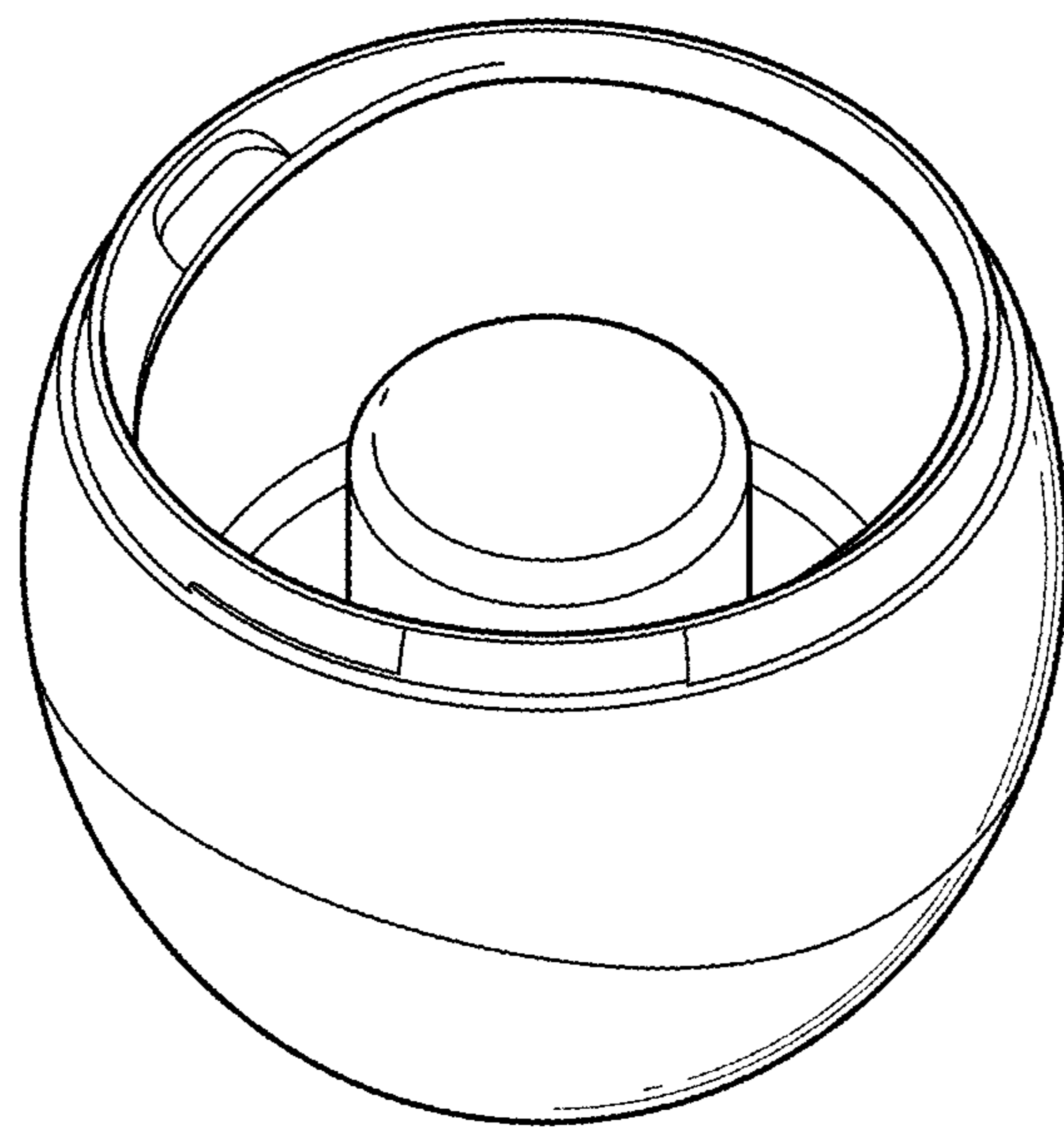


Fig. 1

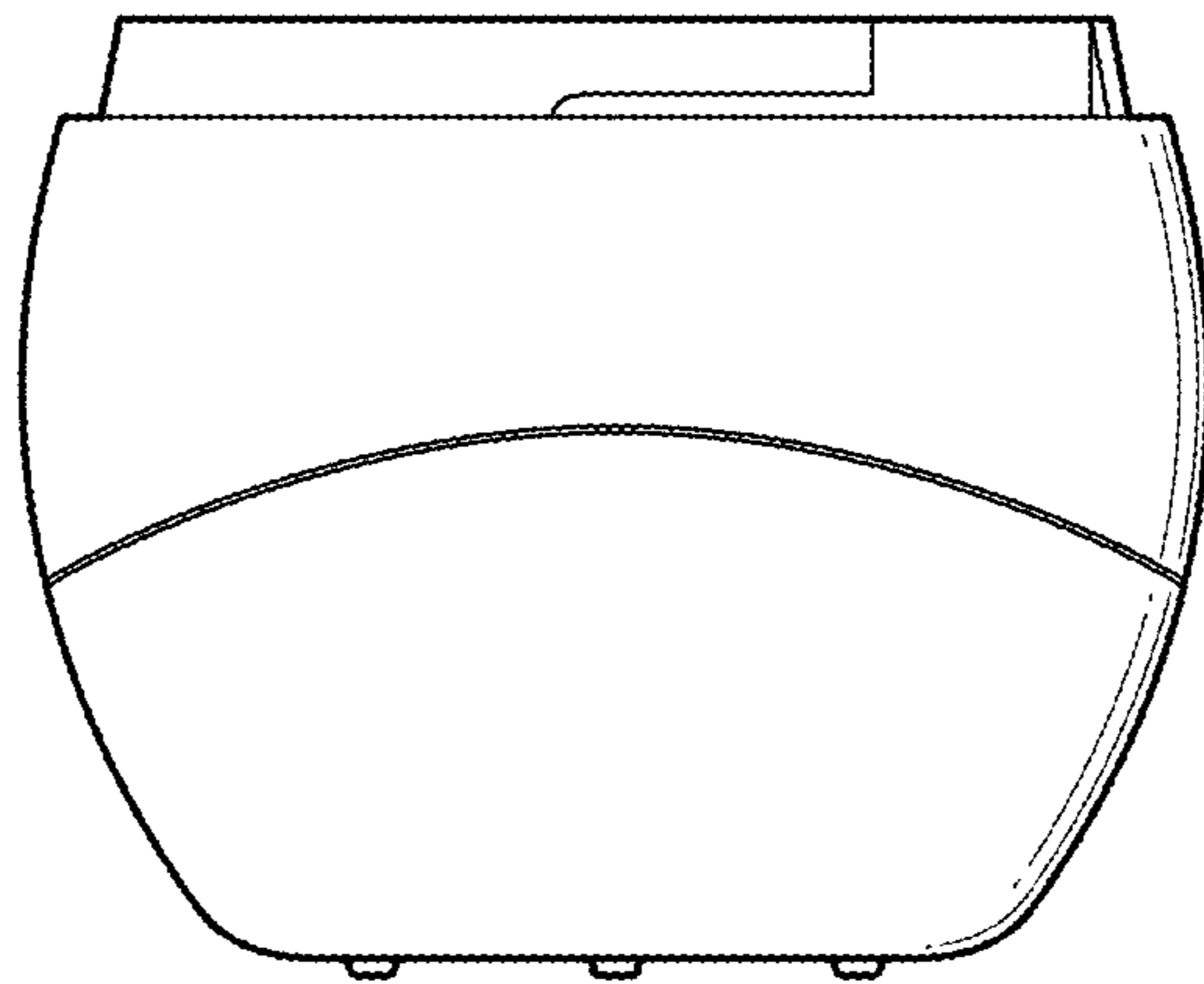


Fig. 2

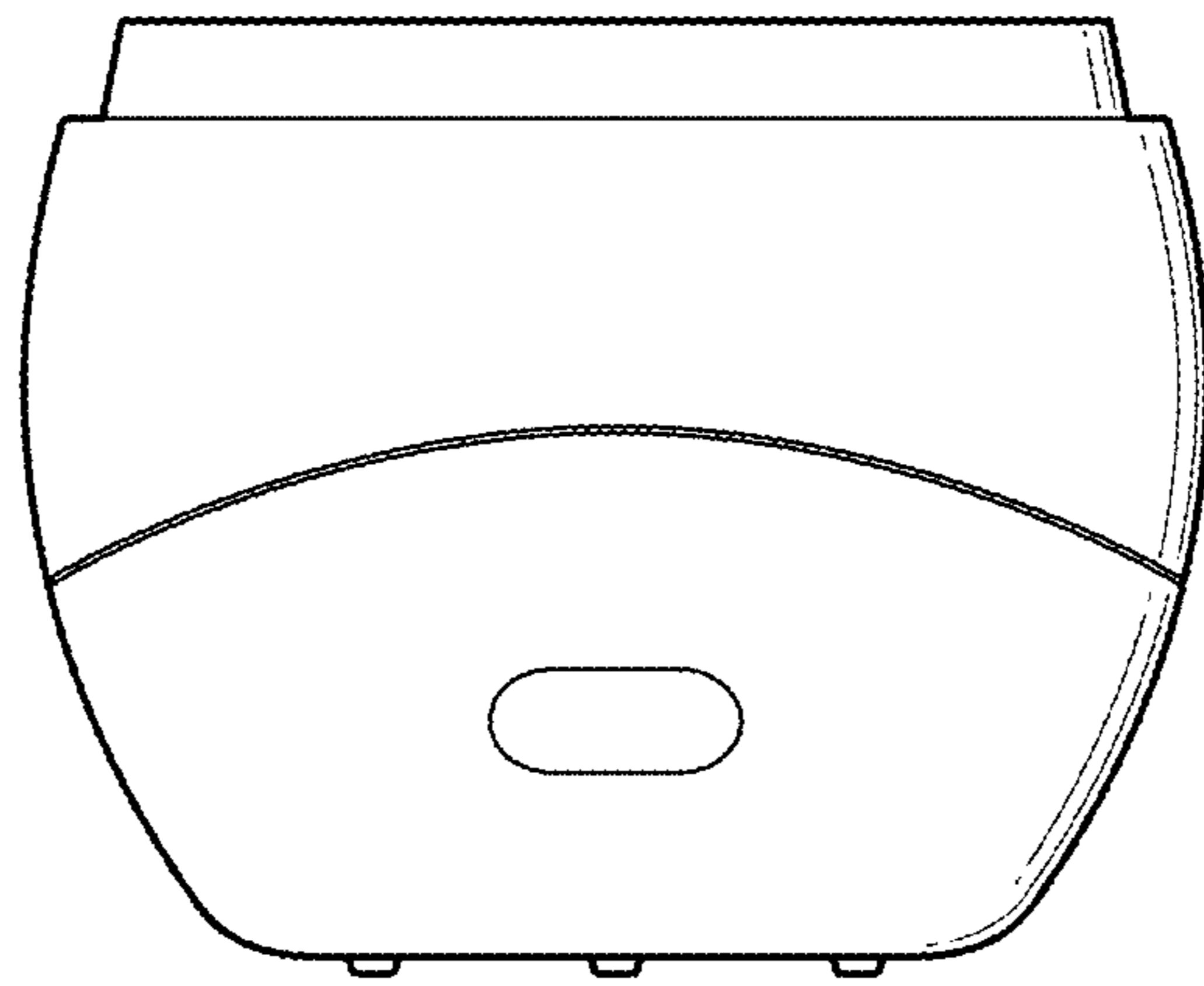


Fig. 3

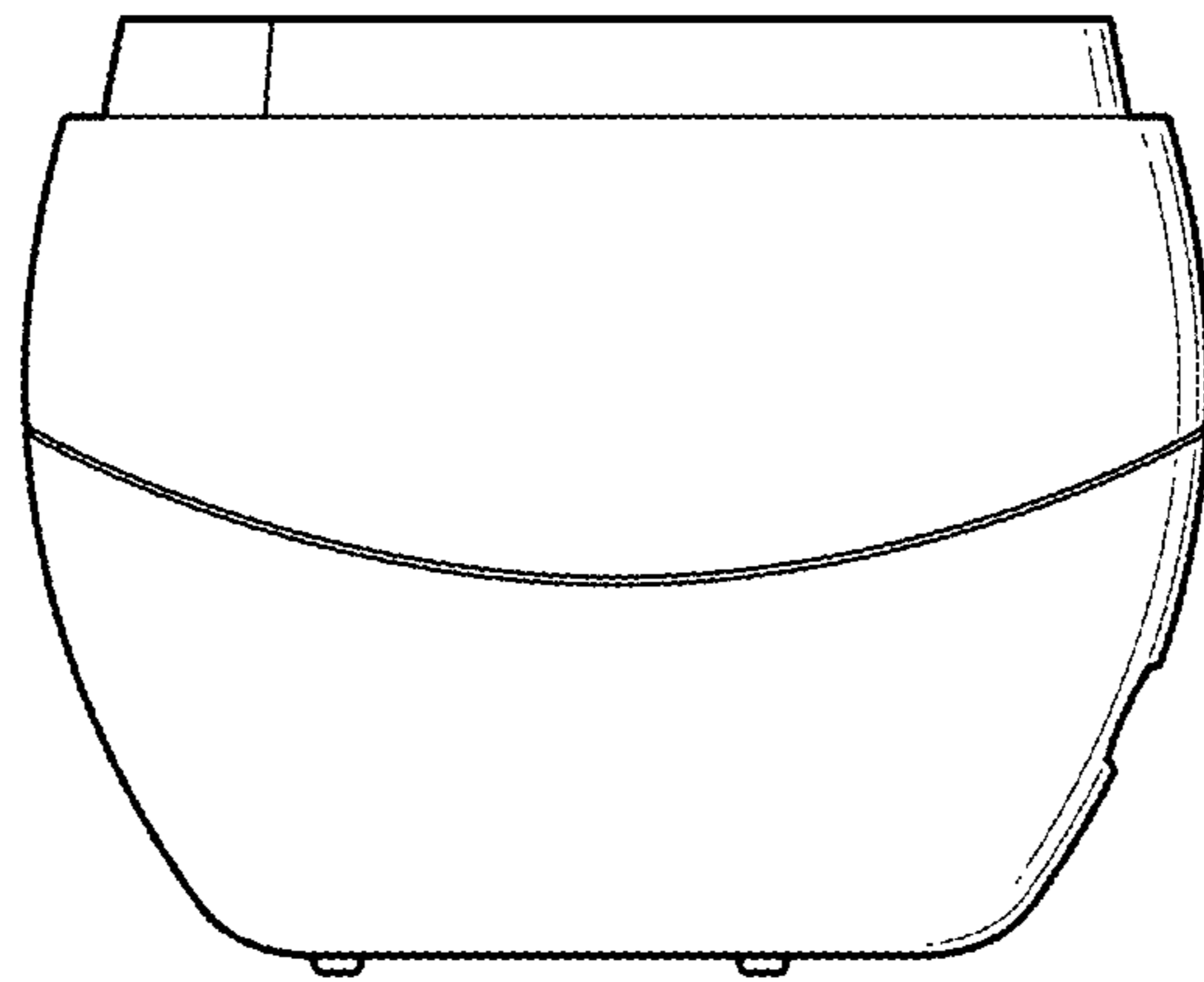


Fig. 4

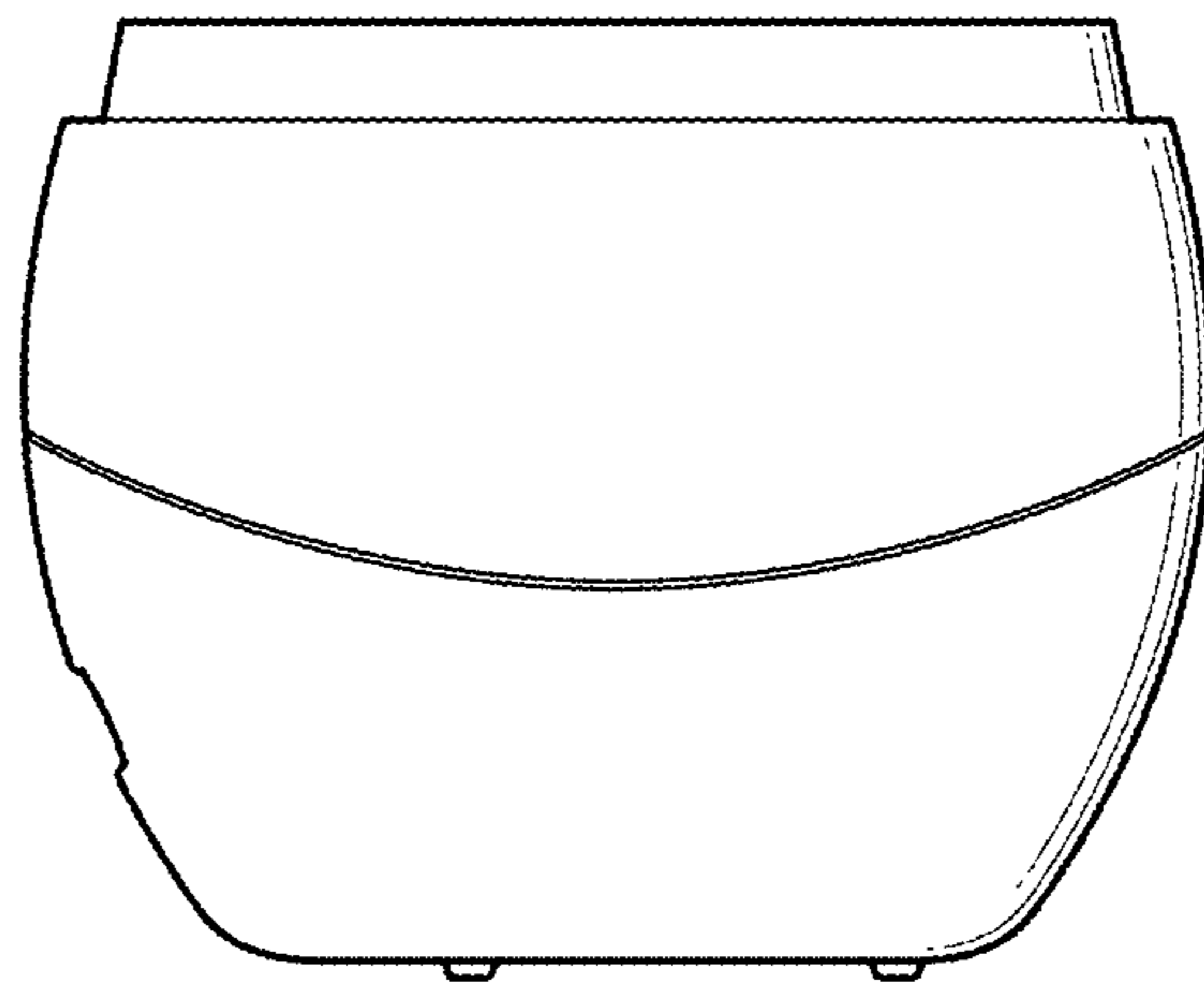


Fig. 5

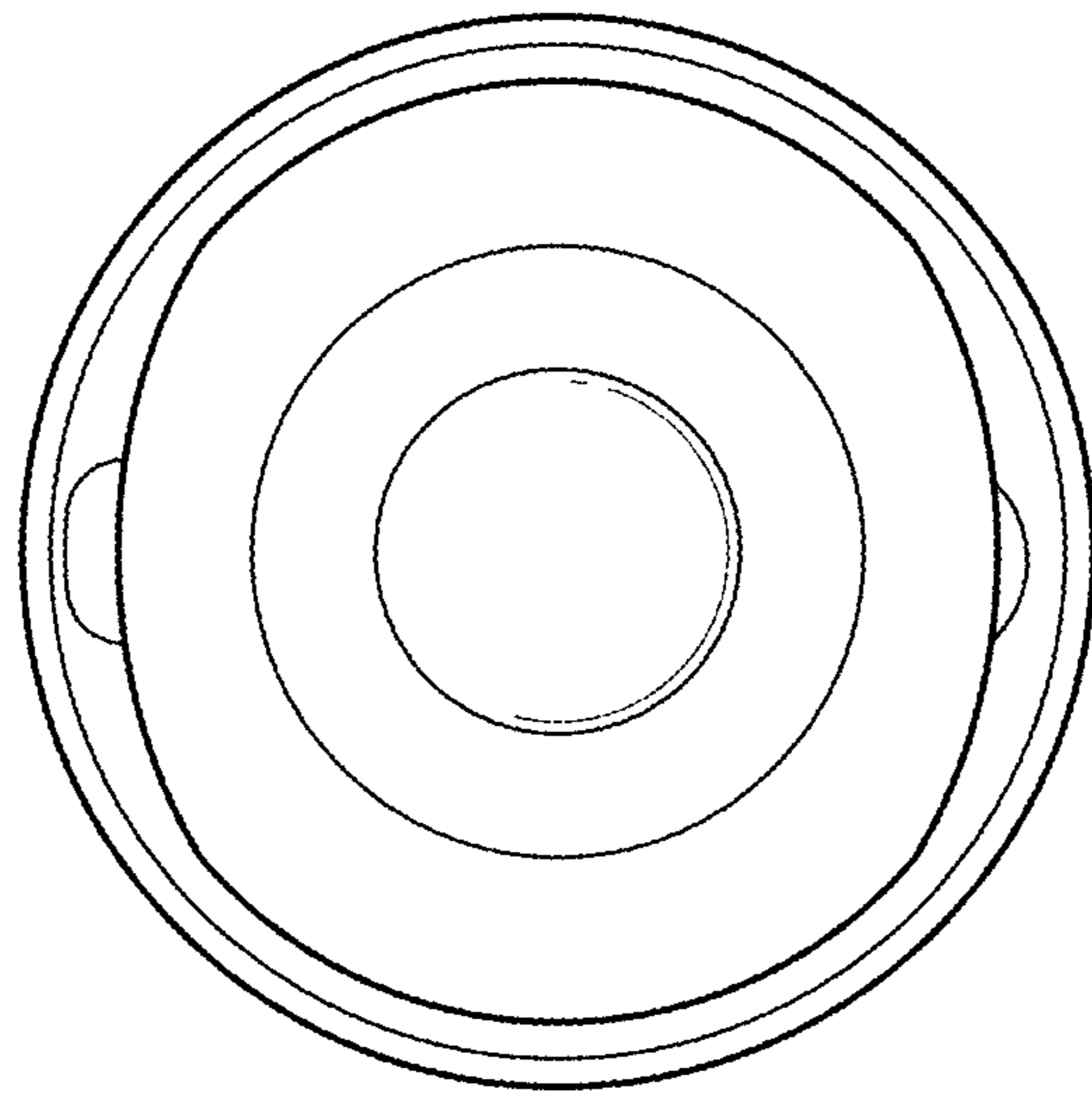


Fig. 6

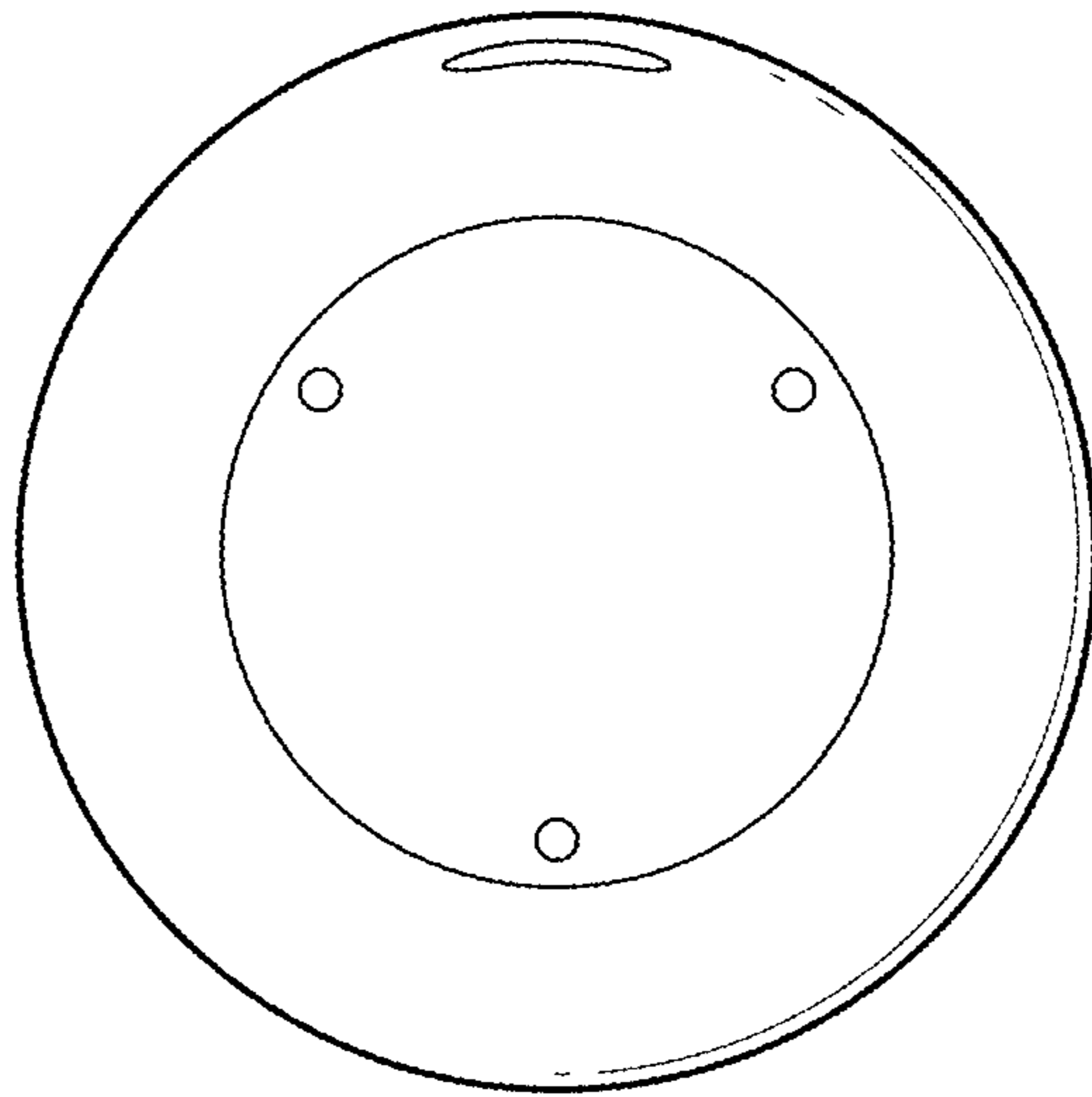


Fig. 7

UNITED STATES PATENT AND TRADEMARK OFFICE
CERTIFICATE OF CORRECTION

PATENT NO. : D779,329 S
APPLICATION NO. : 29/509630
DATED : February 21, 2017
INVENTOR(S) : Alberto Buogo, Richard Clough and Samuel Guo

Page 1 of 4

It is certified that error appears in the above-identified patent and that said Letters Patent is hereby corrected as shown below:

Please replace Fig. 1 with Fig. 1 on the attached sheet.

Please replace Fig. 2 with Fig. 2 on the attached sheet.

Please replace Fig. 6 with Fig. 6 on the attached sheet.

Signed and Sealed this
Eighteenth Day of July, 2017



Joseph Matal
*Performing the Functions and Duties of the
Under Secretary of Commerce for Intellectual Property and
Director of the United States Patent and Trademark Office*

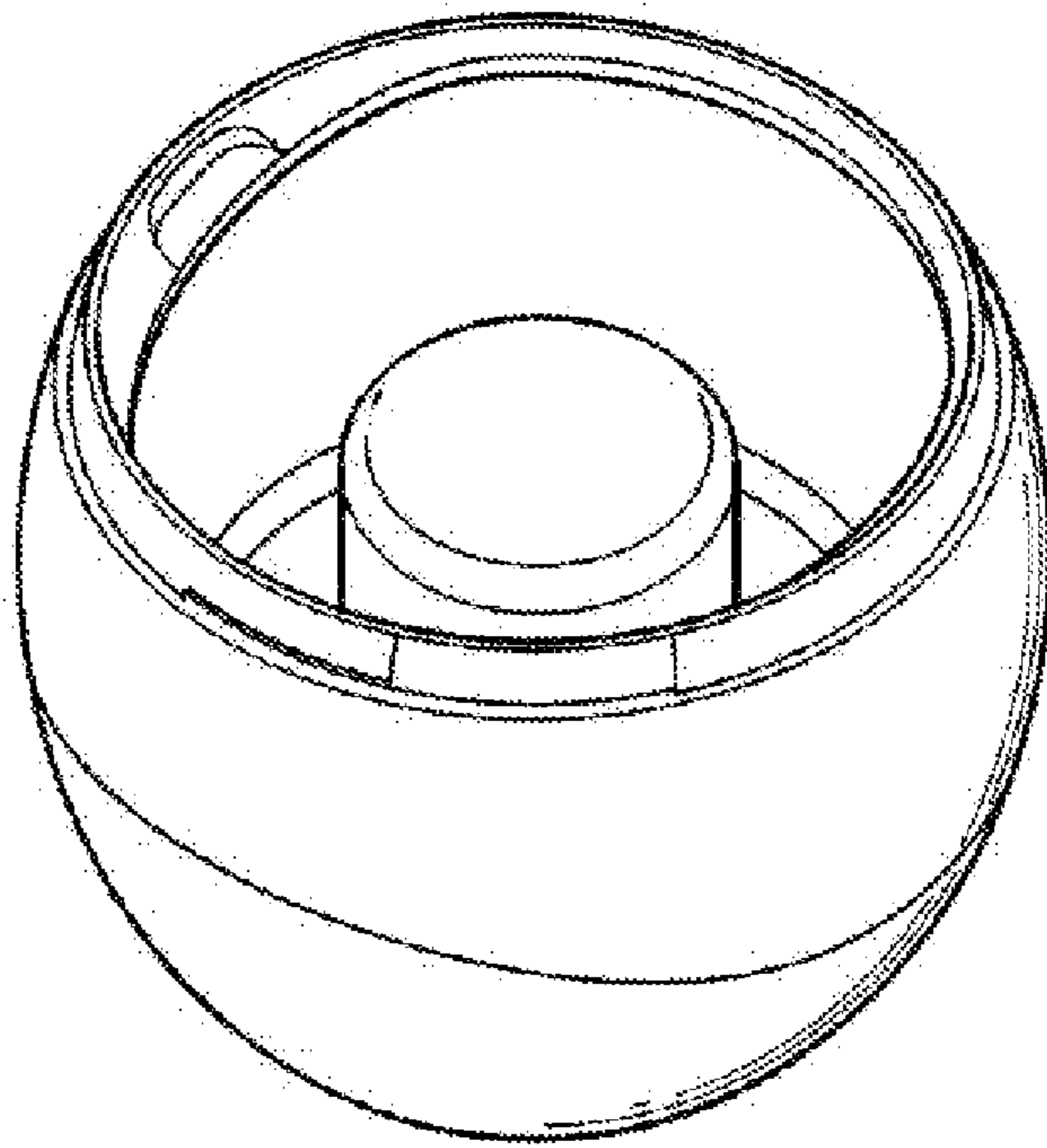


Fig. 1

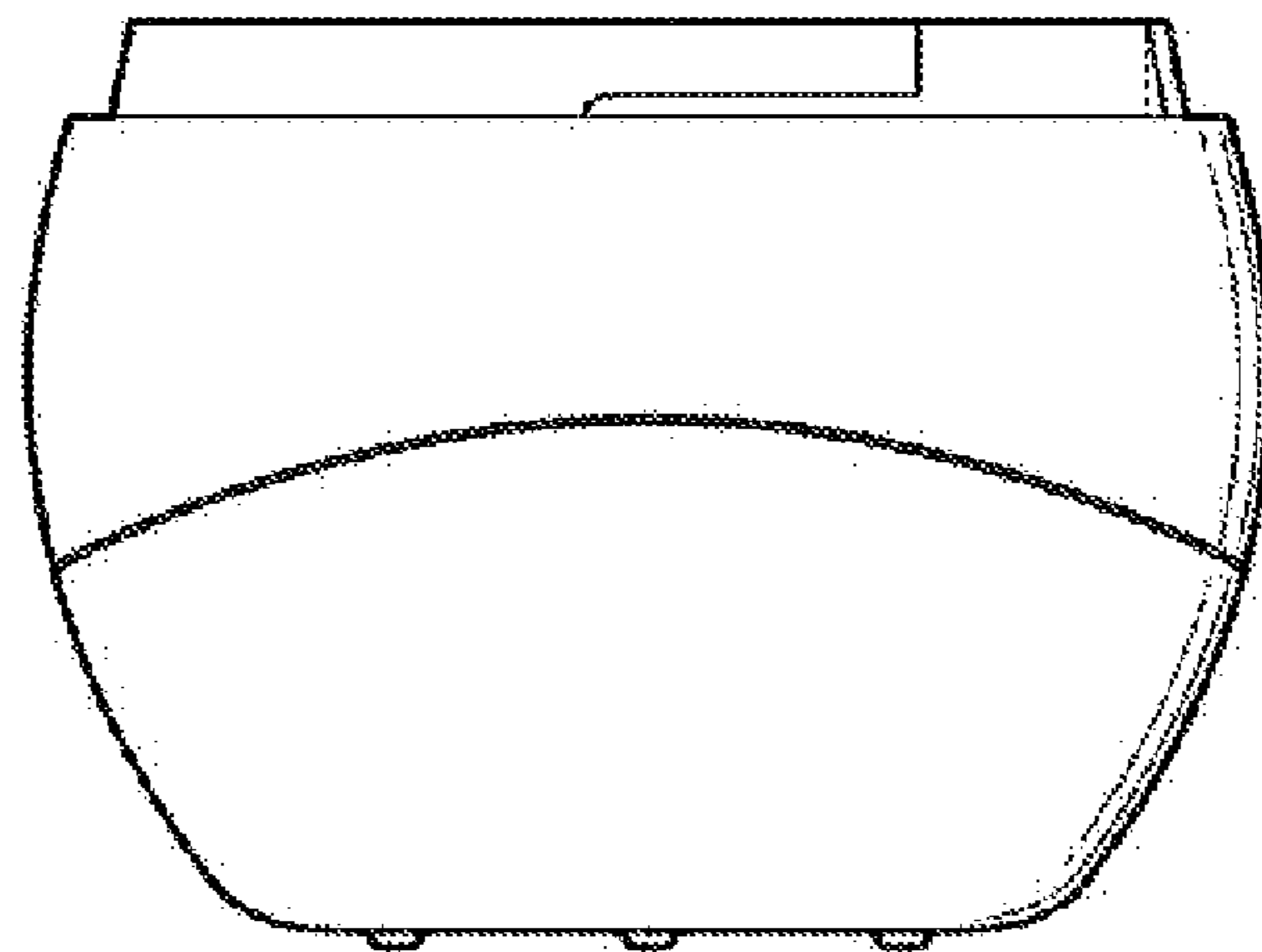


Fig. 2

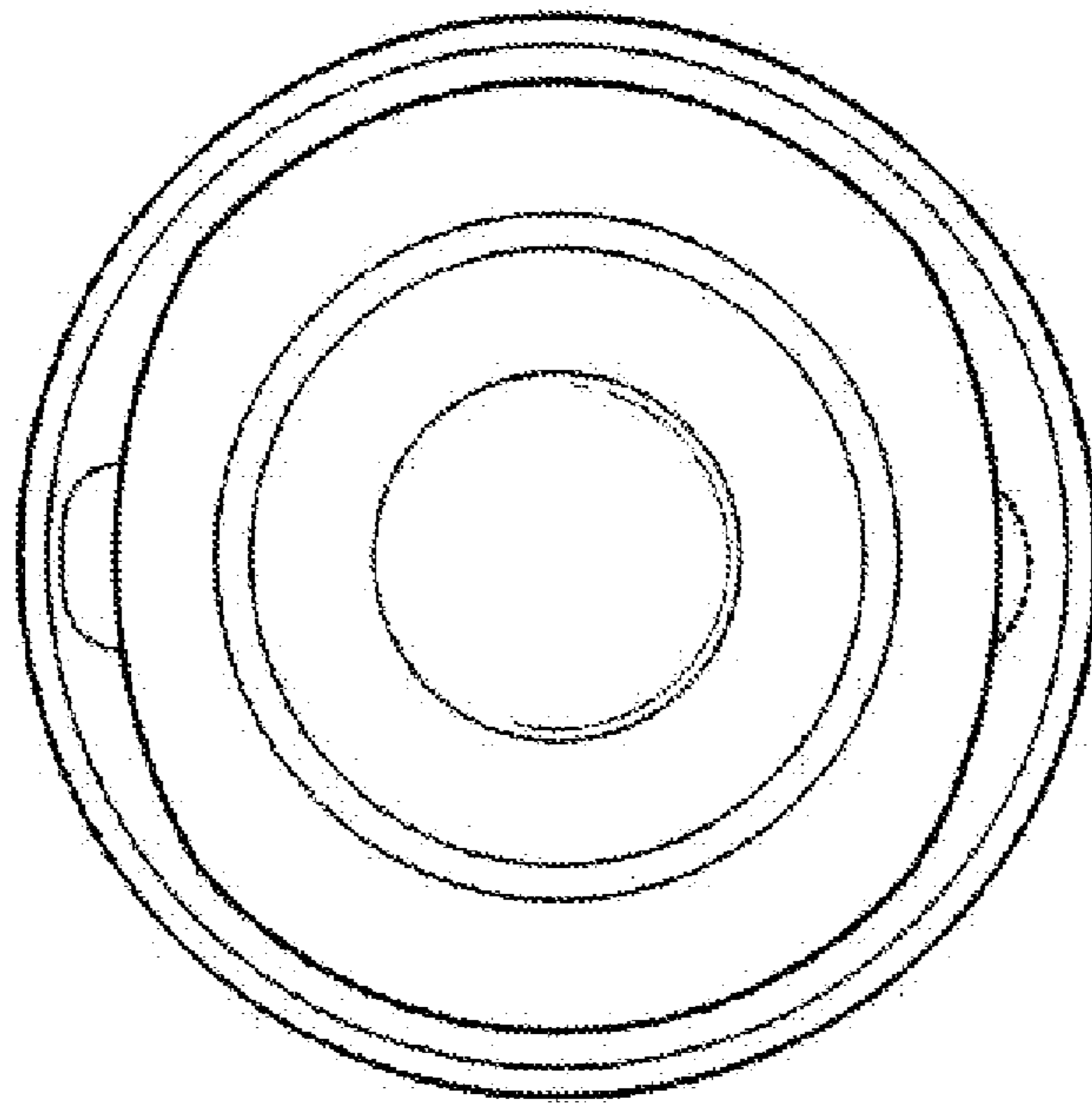


Fig. 6