



US00D779326S

(12) **United States Design Patent** (10) **Patent No.:** **US D779,326 S**  
**Lee** (45) **Date of Patent:** **\*\* Feb. 21, 2017**

(54) **COSMETIC VESSEL**  
(71) Applicant: **LG HOUSEHOLD & HEALTH CARE LTD.**, Seoul (KR)  
(72) Inventor: **Seung Ju Lee**, Seoul (KR)  
(73) Assignee: **LG HOUSEHOLD & HEALTH CARE LTD.**, Seoul (KR)

D213,545 S \* 3/1969 Koenigsberg ..... D9/529  
D233,138 S \* 10/1974 Vogel ..... 215/200  
3,847,494 A \* 11/1974 Franklin ..... A45D 40/0068  
403/345  
3,901,406 A \* 8/1975 Kivett ..... B65D 1/44  
206/515  
4,674,520 A \* 6/1987 Gretshel ..... A45D 33/00  
132/286

(Continued)

(\*\*) Term: **15 Years**

**FOREIGN PATENT DOCUMENTS**

(21) Appl. No.: **29/548,137**

CN 303004158 \* 11/2014  
CN 303660231 \* 5/2016

(22) Filed: **Dec. 10, 2015**

(Continued)

(30) **Foreign Application Priority Data**

Nov. 5, 2015 (KR) ..... 30-2015-0055808

*Primary Examiner* — Catherine Tuttle  
*Assistant Examiner* — Mary Malley

(51) **LOC (10) Cl.** ..... **09-07**

(74) *Attorney, Agent, or Firm* — Mintz Levin Cohn Ferris  
Glovsky and Popeo, P.C.; Kongsik Kim

(52) **U.S. Cl.**

USPC ..... **D9/452**; D9/454

(58) **Field of Classification Search**

USPC ..... D9/500–505, 516, 529, 530, 537, 538,  
D9/541, 546, 549–559, 566, 569, 570,  
D9/774, 776, 692, 694, 723–728, 745,  
D9/746, 453, 454, 428, 435, 452;  
D28/76–91.1

CPC .... A45D 33/00; A45D 33/003; A45D 33/006;  
A45D 33/02; A45D 33/025; A45D 33/18;  
A45D 33/22; A45D 34/00; A45D  
2034/007; A45D 34/02; A45D  
40/40; A45D 40/0068; A45D  
40/0075; A45D 2040/12; A45D 2200/05;  
A45D 2200/051; B65D 1/0246

See application file for complete search history.

(56) **References Cited**

**U.S. PATENT DOCUMENTS**

D97,935 S \* 12/1935 Neumann-Holste ..... D28/76  
D155,559 S \* 10/1949 Tillmann ..... D3/203.2

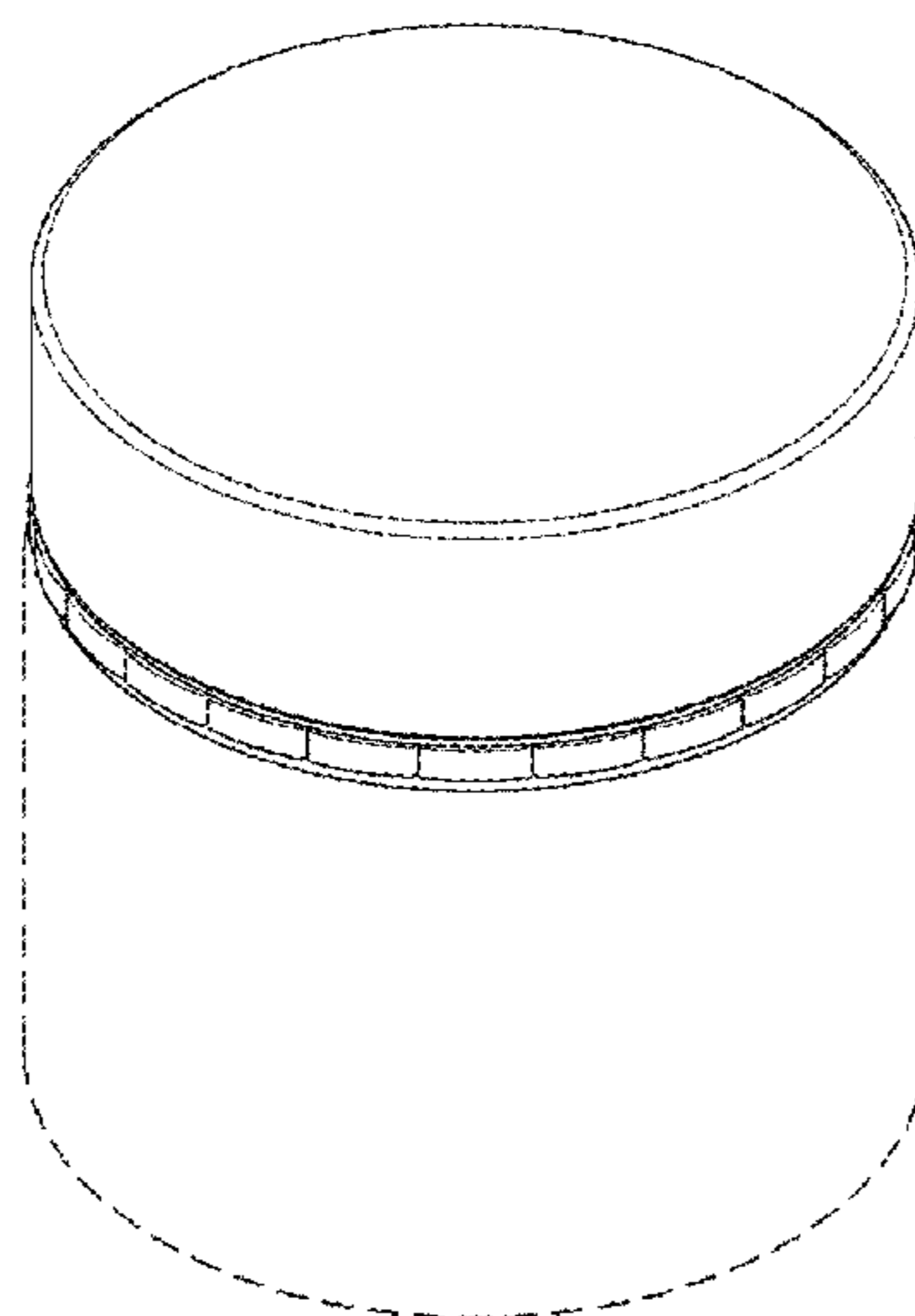
(57) **CLAIM**

The ornamental design for a cosmetic vessel, as shown and described.

**DESCRIPTION**

FIG. 1 is a perspective view of a cosmetic vessel according to the present invention.  
FIG. 2 is a front view of the cosmetic vessel of FIG. 1.  
FIG. 3 is a rear view of the cosmetic vessel of FIG. 1.  
FIG. 4 is a left side view of the cosmetic vessel of FIG. 1.  
FIG. 5 is a right side view of the cosmetic vessel of FIG. 1.  
FIG. 6 is a top view of the cosmetic vessel of FIG. 1; and, FIG. 7 is a bottom view of the cosmetic vessel of FIG. 1.  
The broken lines are included for the purpose of illustrating the portions of the cosmetic vessel that form no part of the claimed design.

**1 Claim, 7 Drawing Sheets**



(56)

**References Cited**

U.S. PATENT DOCUMENTS

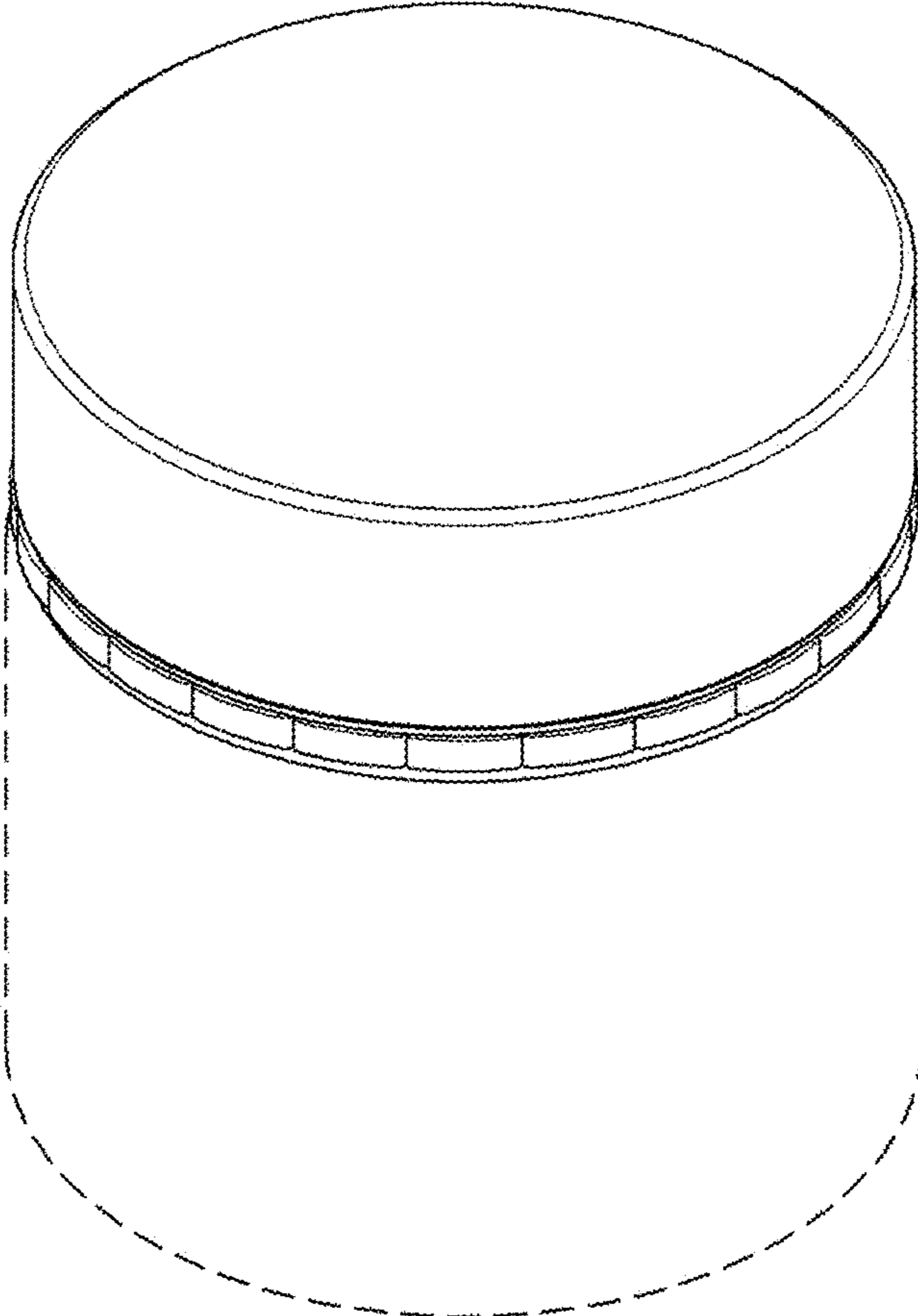
5,165,603 A \* 11/1992 Hahn ..... A45D 40/0068  
206/823  
D339,285 S \* 9/1993 Burke ..... D9/435  
D430,705 S \* 9/2000 Lang ..... D28/89  
D477,224 S \* 7/2003 Hussain ..... D9/443  
D477,536 S \* 7/2003 Kudo ..... D9/516  
D490,323 S \* 5/2004 Giovanni ..... D9/558  
D492,067 S \* 6/2004 Garcia ..... D28/5  
D565,412 S \* 4/2008 Fuller ..... D9/454  
D612,240 S \* 3/2010 Cresswell ..... D9/454  
D619,472 S \* 7/2010 Papiernik ..... D9/454  
D712,738 S \* 9/2014 Clark ..... D9/435  
D718,138 S \* 11/2014 Komai ..... D9/503  
2005/0139570 A1 \* 6/2005 Lambert ..... A47G 19/2205  
215/223  
2008/0179215 A1 \* 7/2008 Arvin ..... A45D 33/00  
206/581

FOREIGN PATENT DOCUMENTS

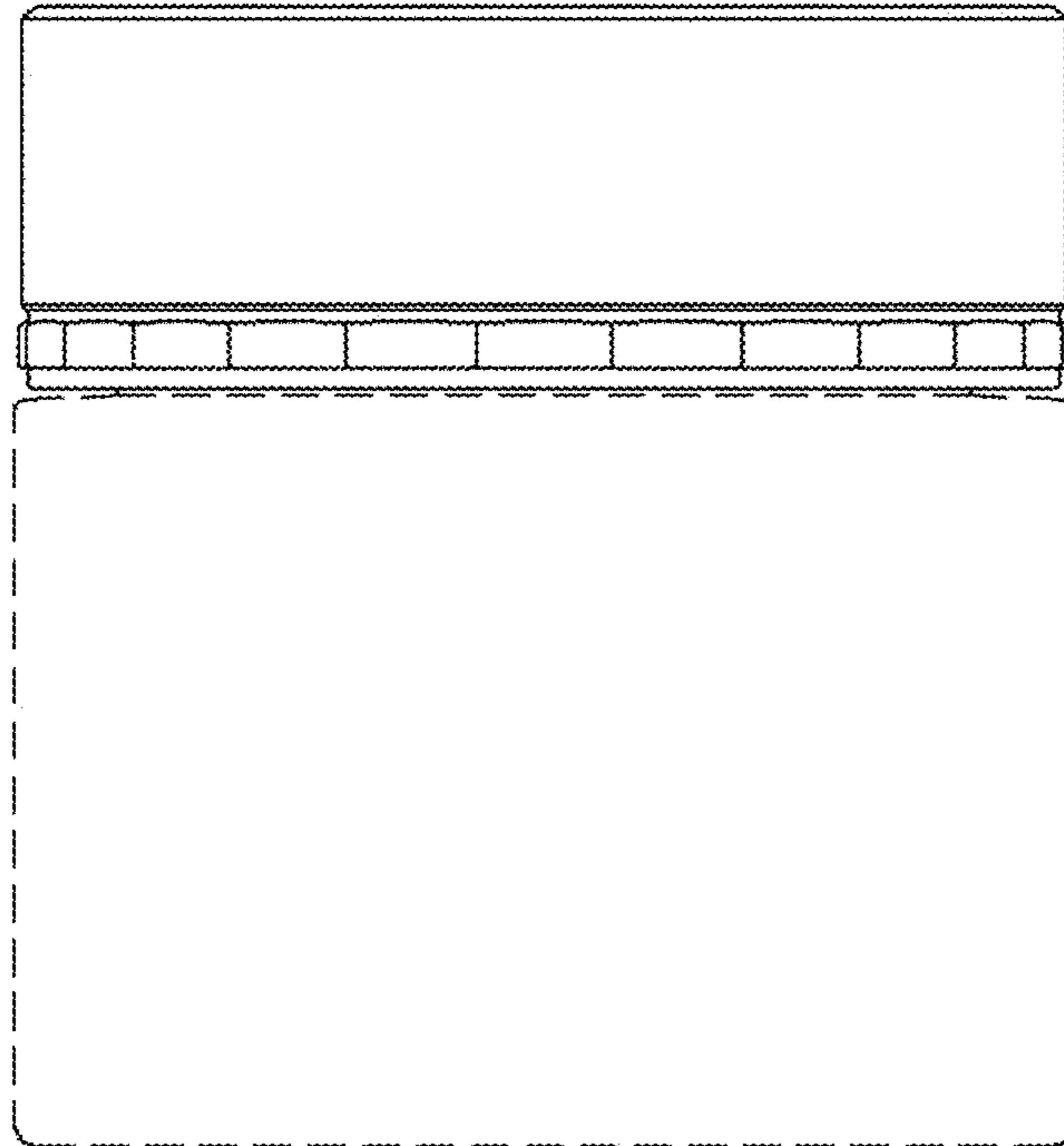
JP D1515205 \* 1/2015  
KR 300845145.0000 \* 3/2016

\* cited by examiner

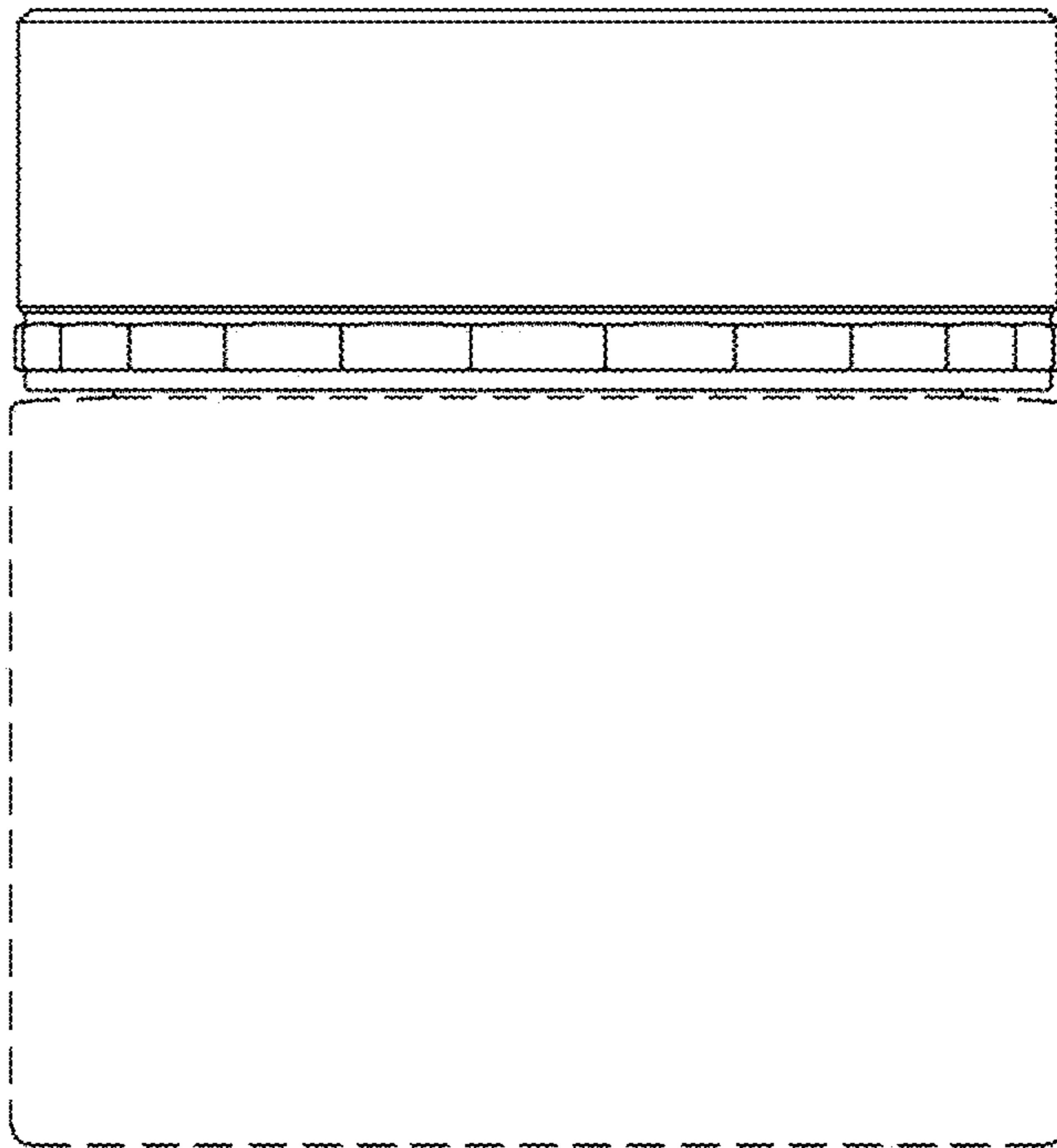
**FIG. 1**



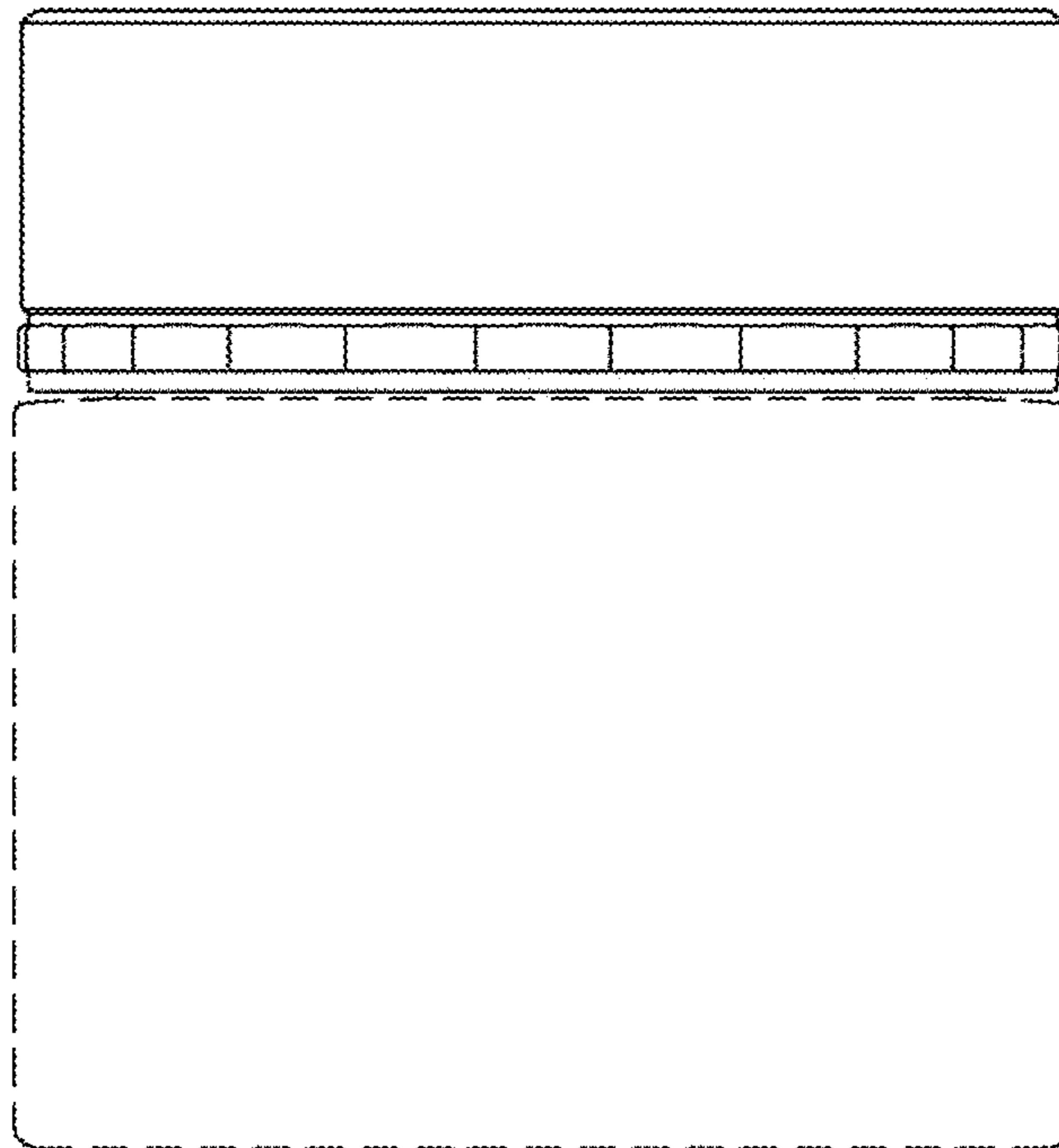
**FIG. 2**



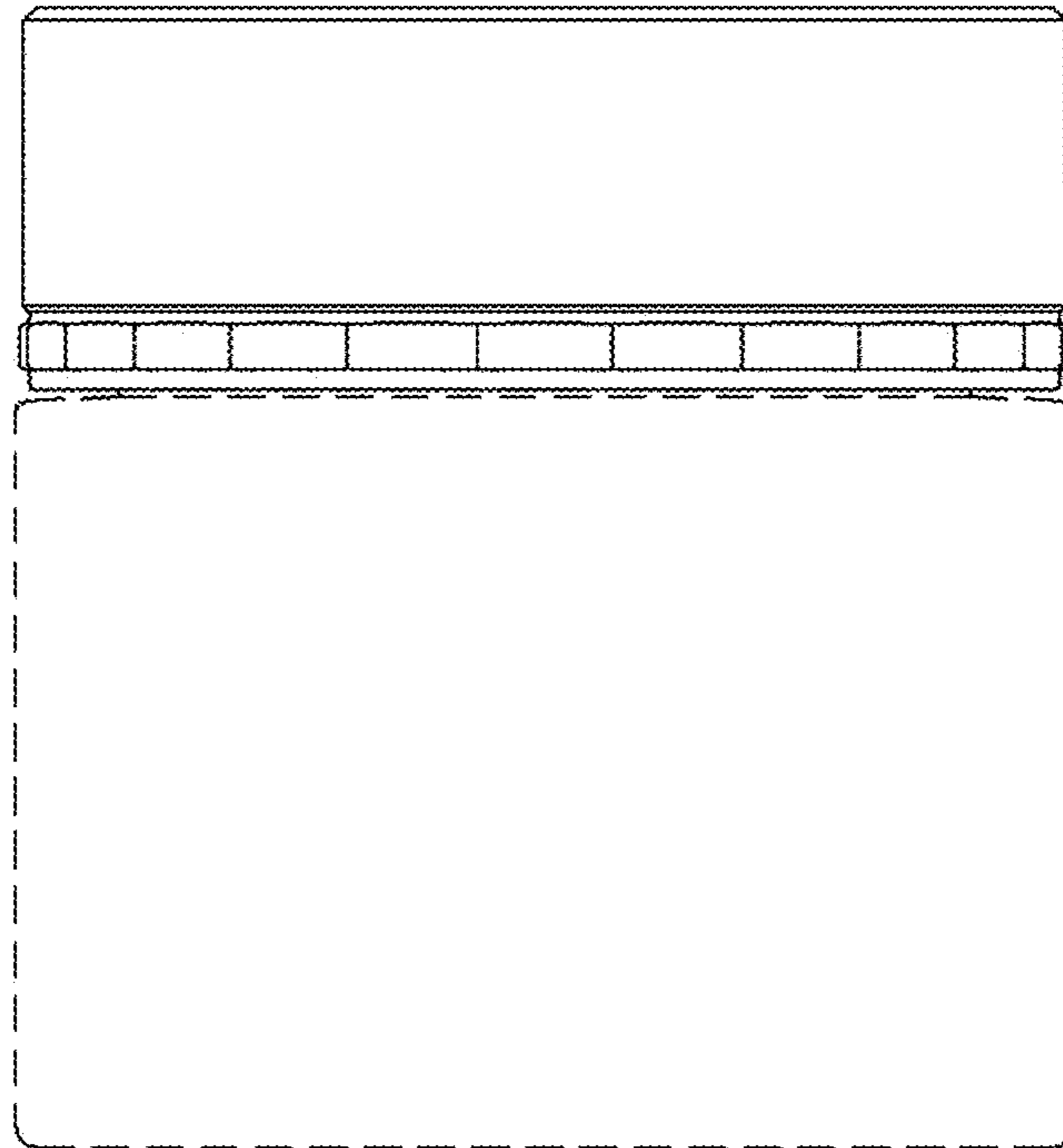
**FIG. 3**



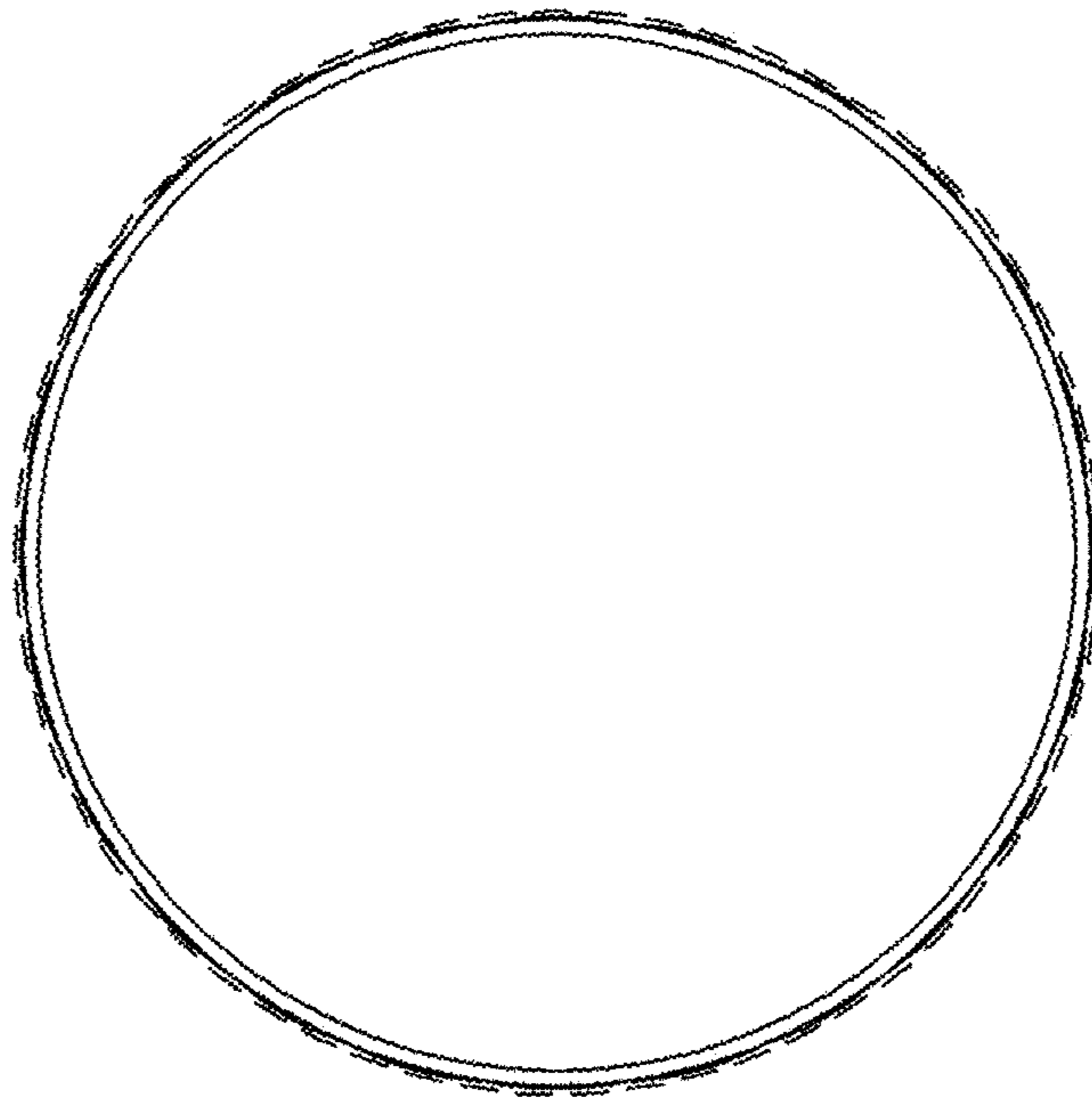
**FIG. 4**



**FIG. 5**



**FIG. 6**





**FIG. 7**

