



US00D779325S

(12) **United States Design Patent**
Vigoureux

(10) **Patent No.:** **US D779,325 S**

(45) **Date of Patent:** **** Feb. 21, 2017**

(54) **CONTAINER LID**

(71) Applicant: **Matthieu M Vigoureux**, Ponte Vedra,
FL (US)

(72) Inventor: **Matthieu M Vigoureux**, Ponte Vedra,
FL (US)

(**) Term: **15 Years**

(21) Appl. No.: **29/544,788**

(22) Filed: **Nov. 6, 2015**

(51) **LOC (10) Cl.** **09-07**

(52) **U.S. Cl.**
USPC **D9/443; D12/447**

(58) **Field of Classification Search**
USPC D9/434-436, 440, 443, 445, 447,
454, D9/456, 499; 220/709
CPC B65D 77/286
See application file for complete search history.

(56) **References Cited**

U.S. PATENT DOCUMENTS

D407,975 S *	4/1999	Lund	D9/434
D492,596 S *	7/2004	Miceli	D9/435
D516,910 S *	3/2006	Bresler	D9/447
D567,084 S *	4/2008	Batton	D9/440
D588,002 S *	3/2009	D'Amato	D9/447
D610,006 S *	2/2010	Ortell	D9/454
D623,941 S *	9/2010	Bendix	D9/447

D633,791 S *	3/2011	Kunishige	D9/447
D751,394 S *	3/2016	Chartier	D9/440
D752,435 S *	3/2016	Willows	D9/447

* cited by examiner

Primary Examiner — Robert M Spear

Assistant Examiner — Darcey E Heflin

(74) *Attorney, Agent, or Firm* — H. John Rizvi; Gold & Rizvi, P.A.

(57) **CLAIM**

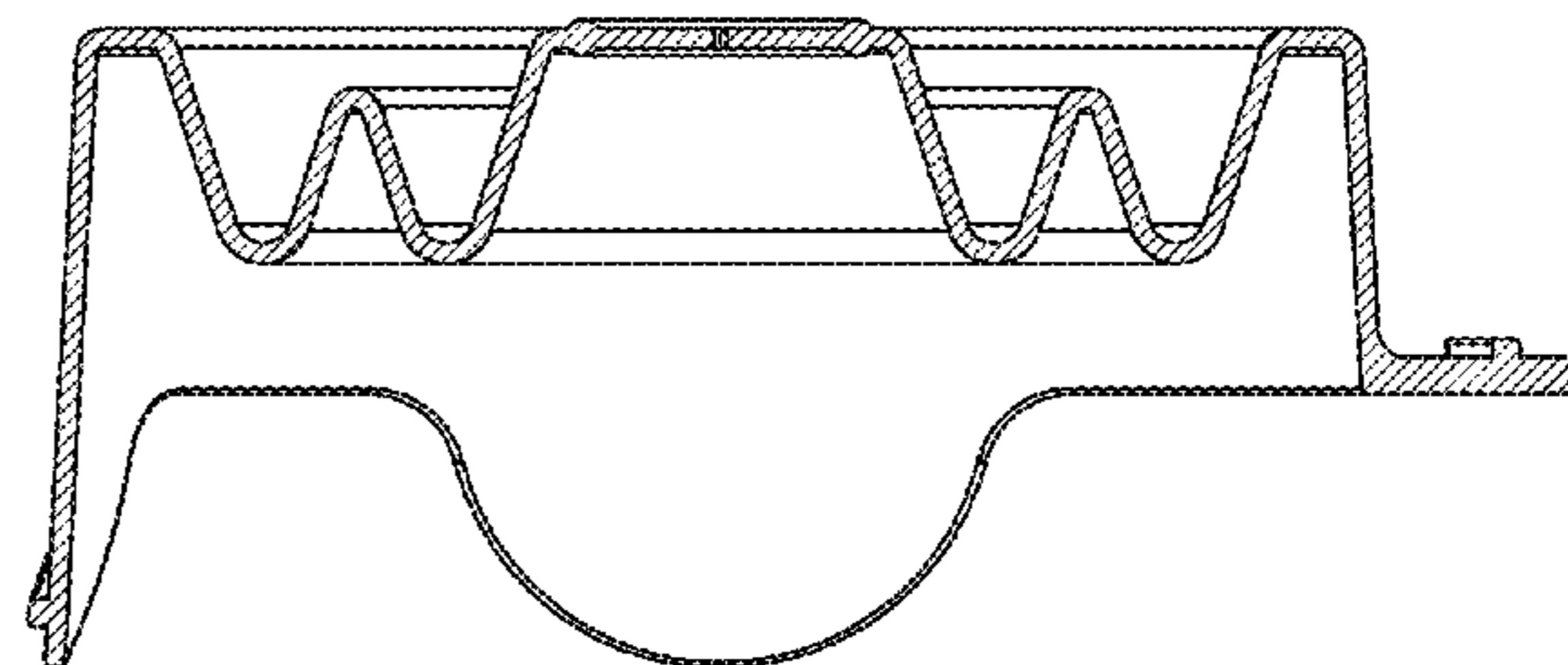
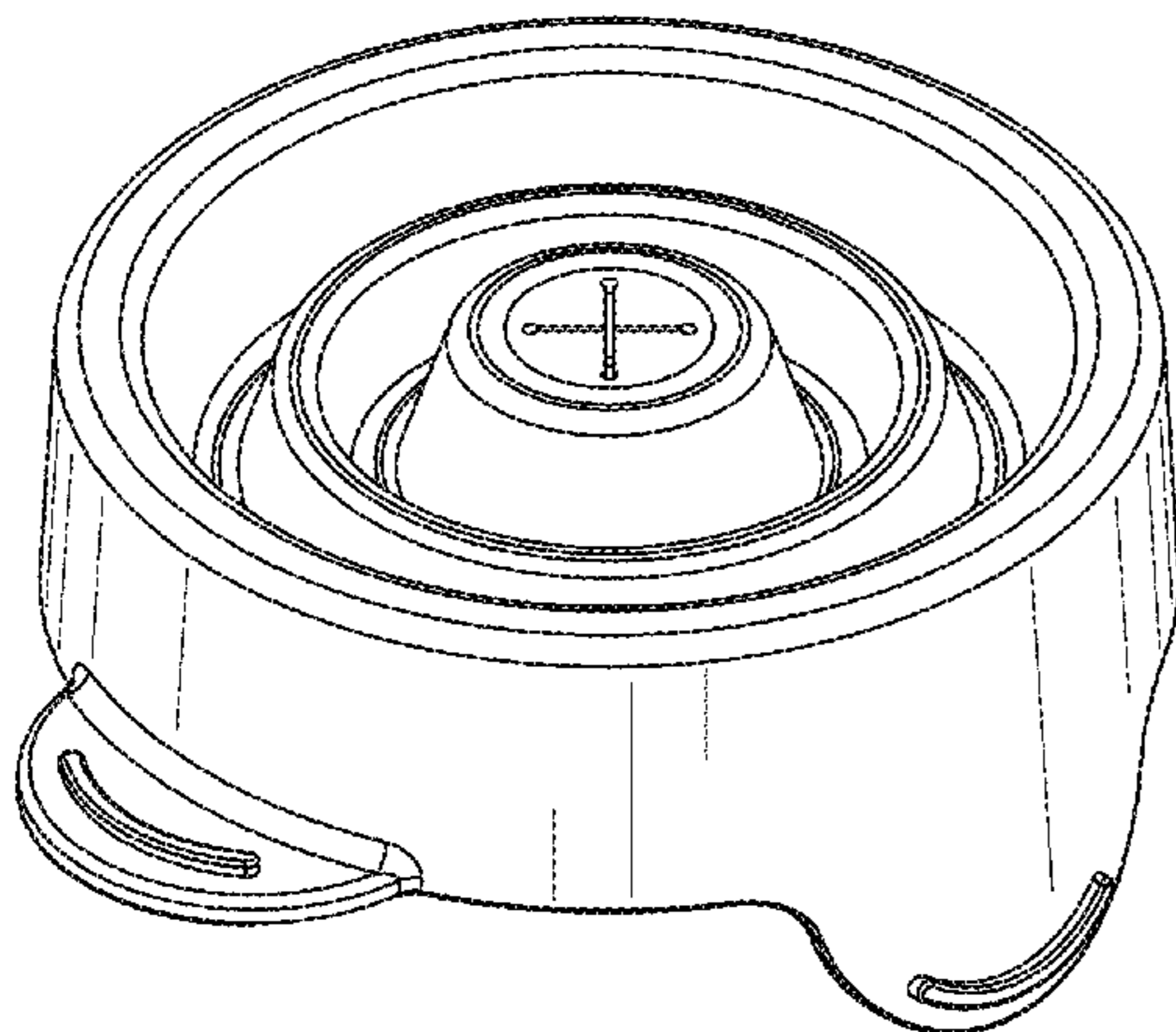
I claim the ornamental design for a container lid, as shown and described.

DESCRIPTION

FIG. 1 is a top front isometric view of my new design; FIG. 2 is a bottom front isometric view thereof; FIG. 3 is a front elevation view thereof; FIG. 4 is a rear elevation view thereof; FIG. 5 is a top plan view thereof; FIG. 6 is a bottom plan view thereof; FIG. 7 is a left side elevation view thereof; and, FIG. 8 is a cross-sectional left side elevation view thereof, the cross-section taken along section plane 8-8 indicated in FIG. 5.

A design right side elevation view has been omitted, as it is a mirror image of the left side elevation view of FIG. 7.

1 Claim, 6 Drawing Sheets



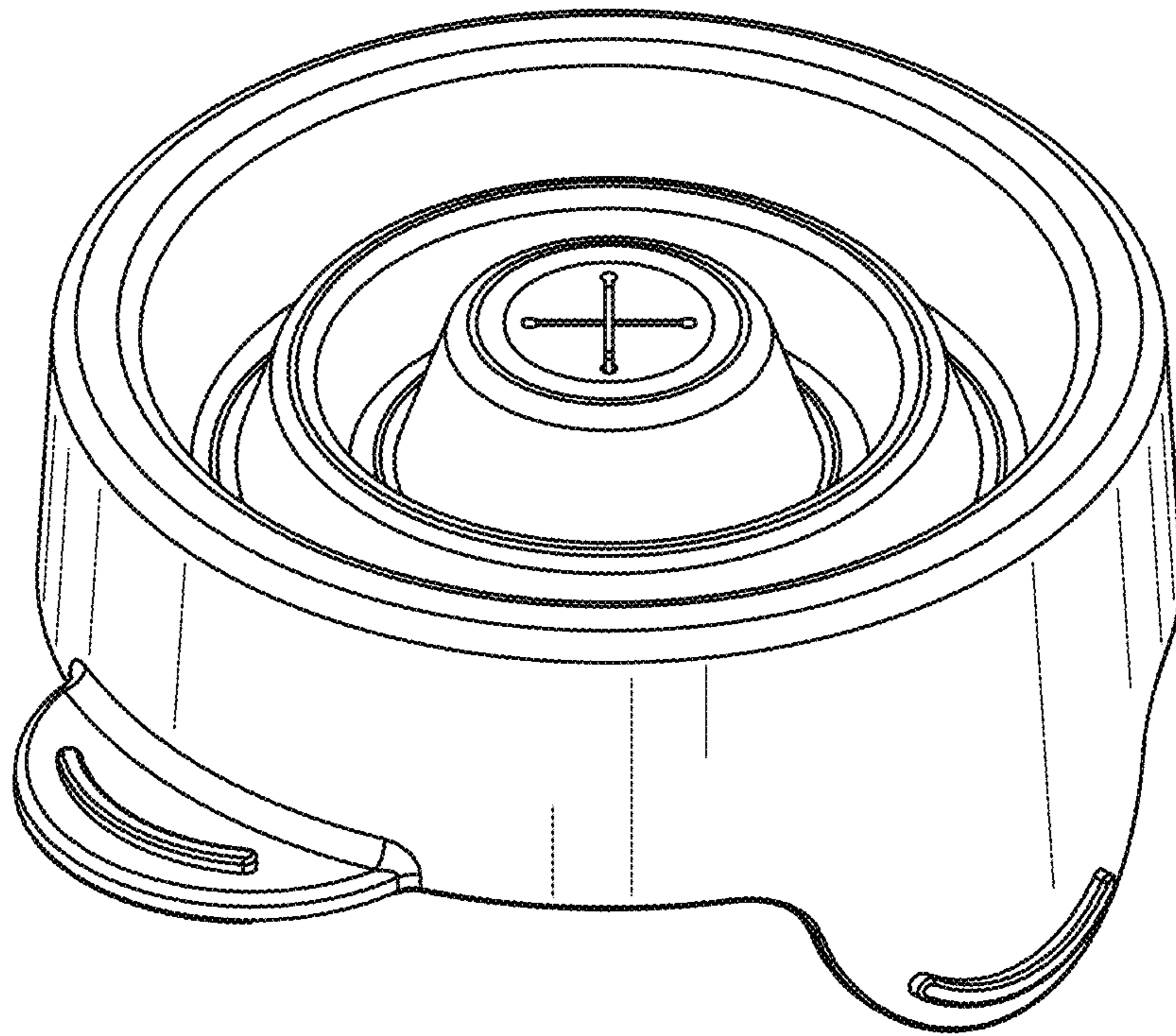


FIG. 1

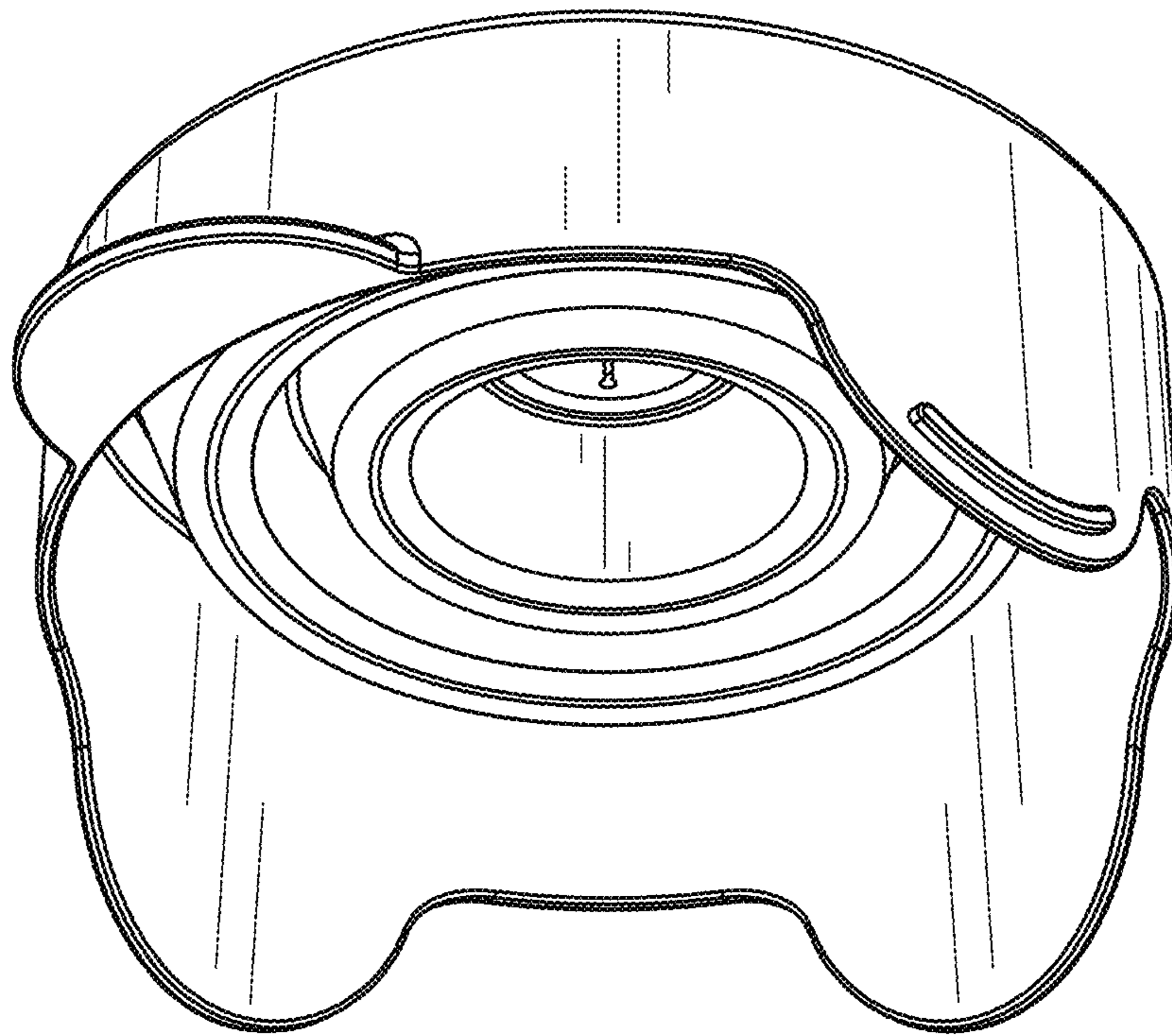


FIG. 2

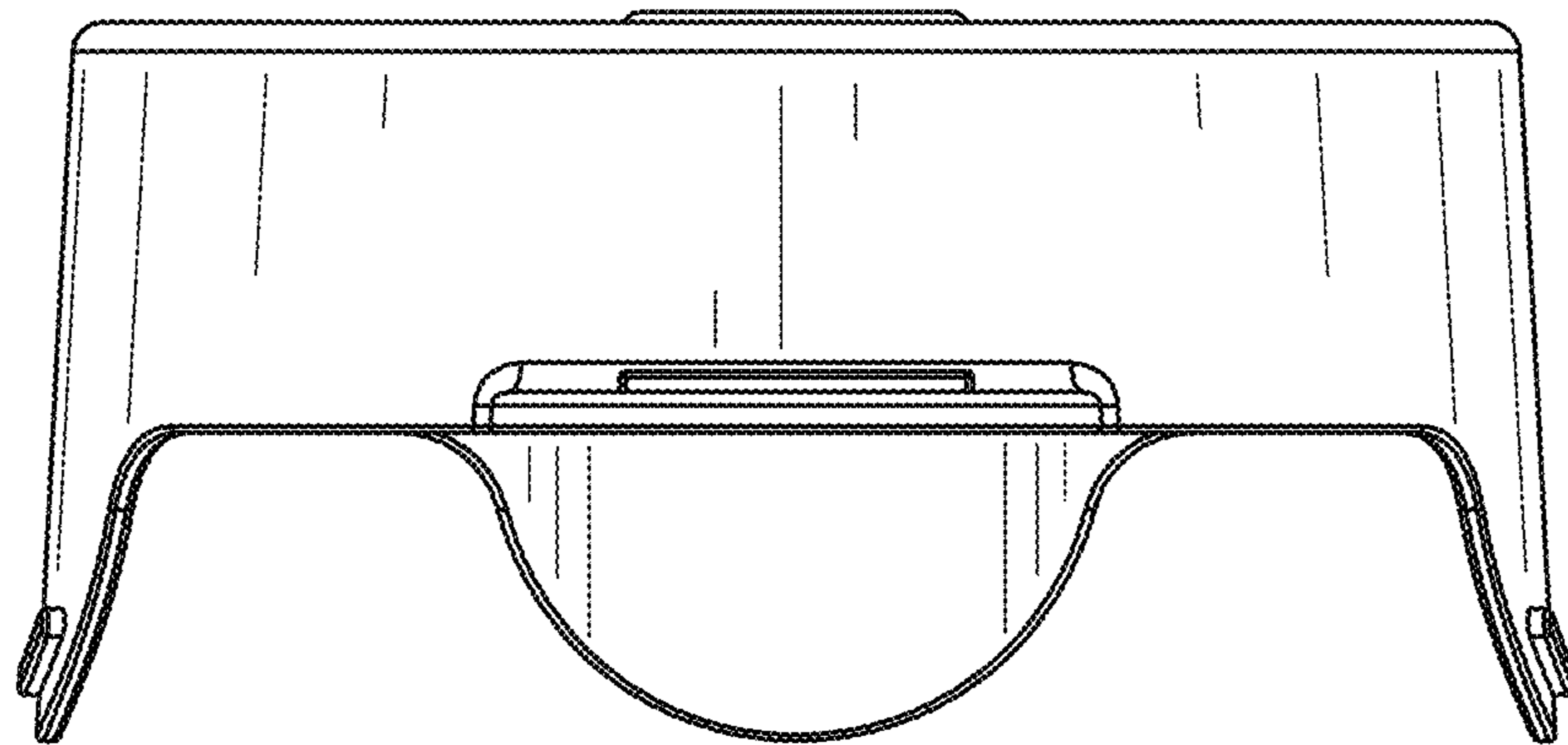


FIG. 3

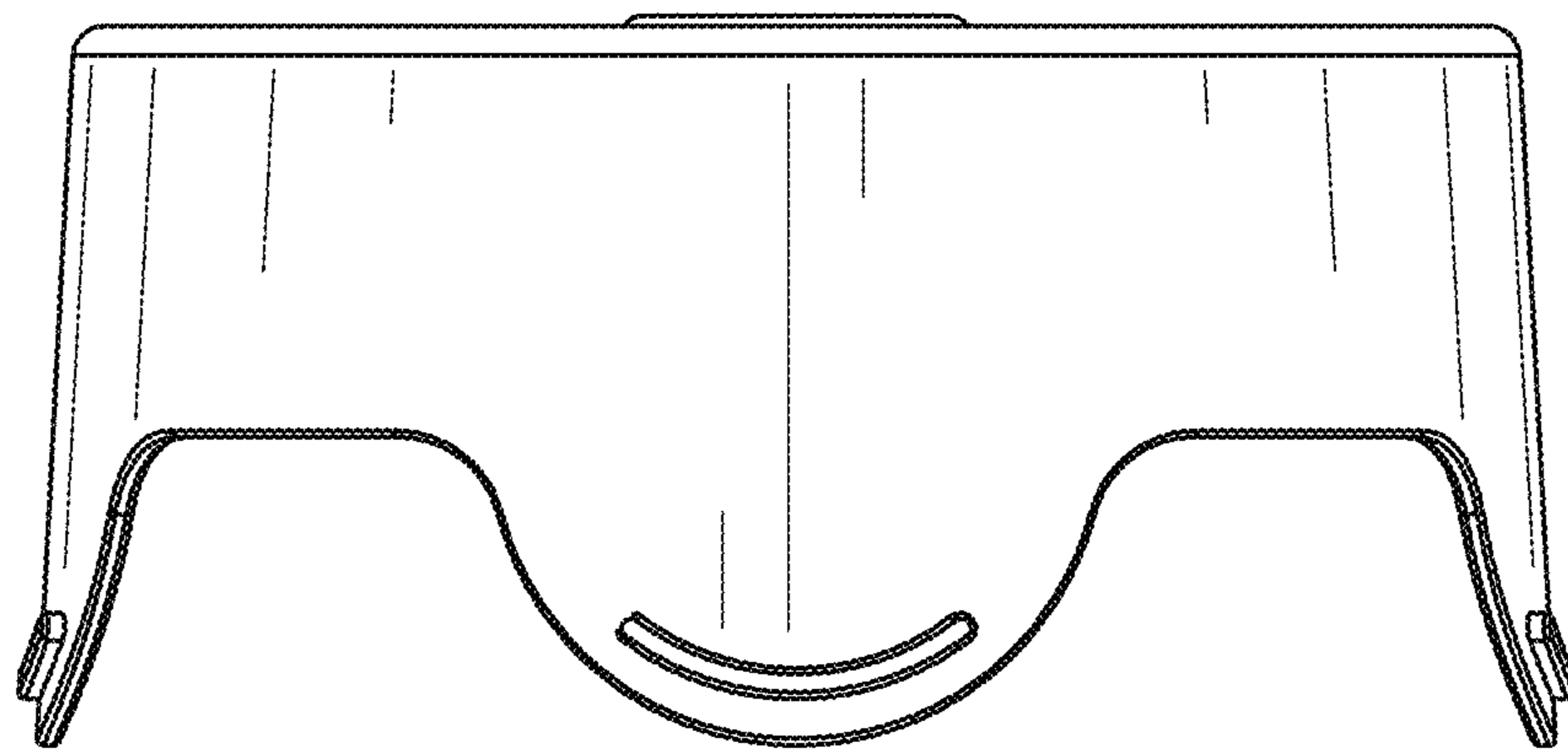


FIG. 4

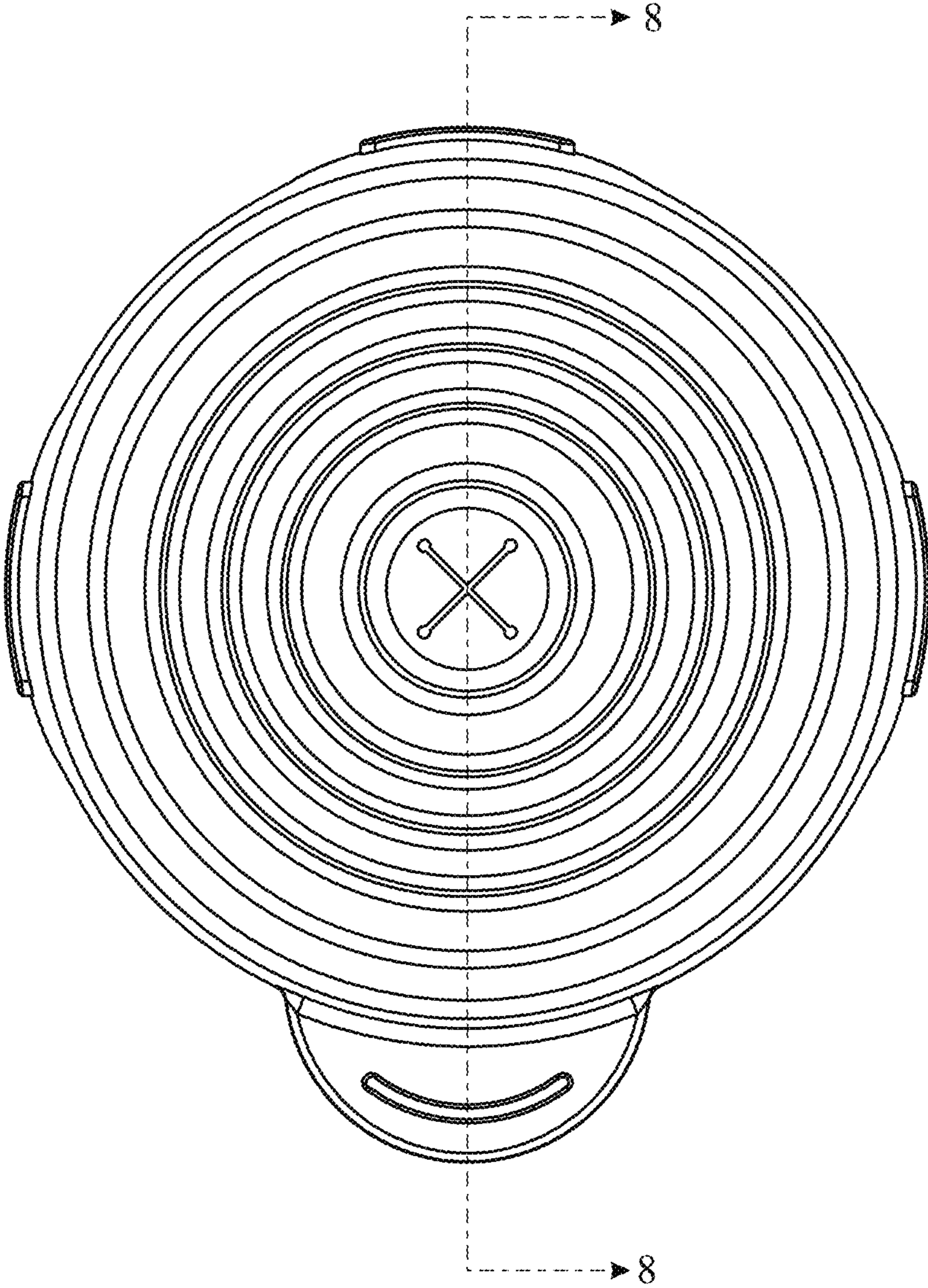


FIG. 5

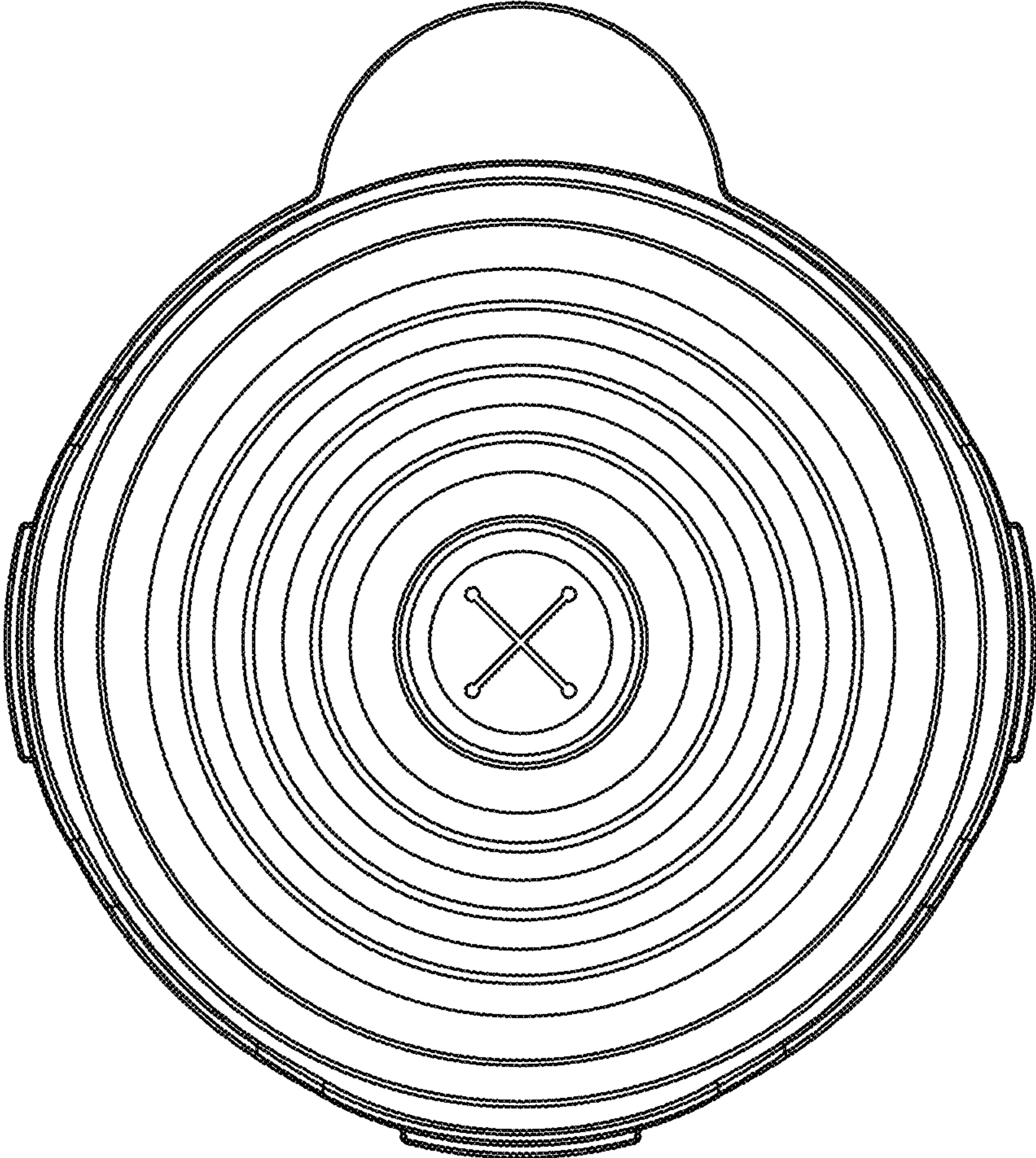


FIG. 6

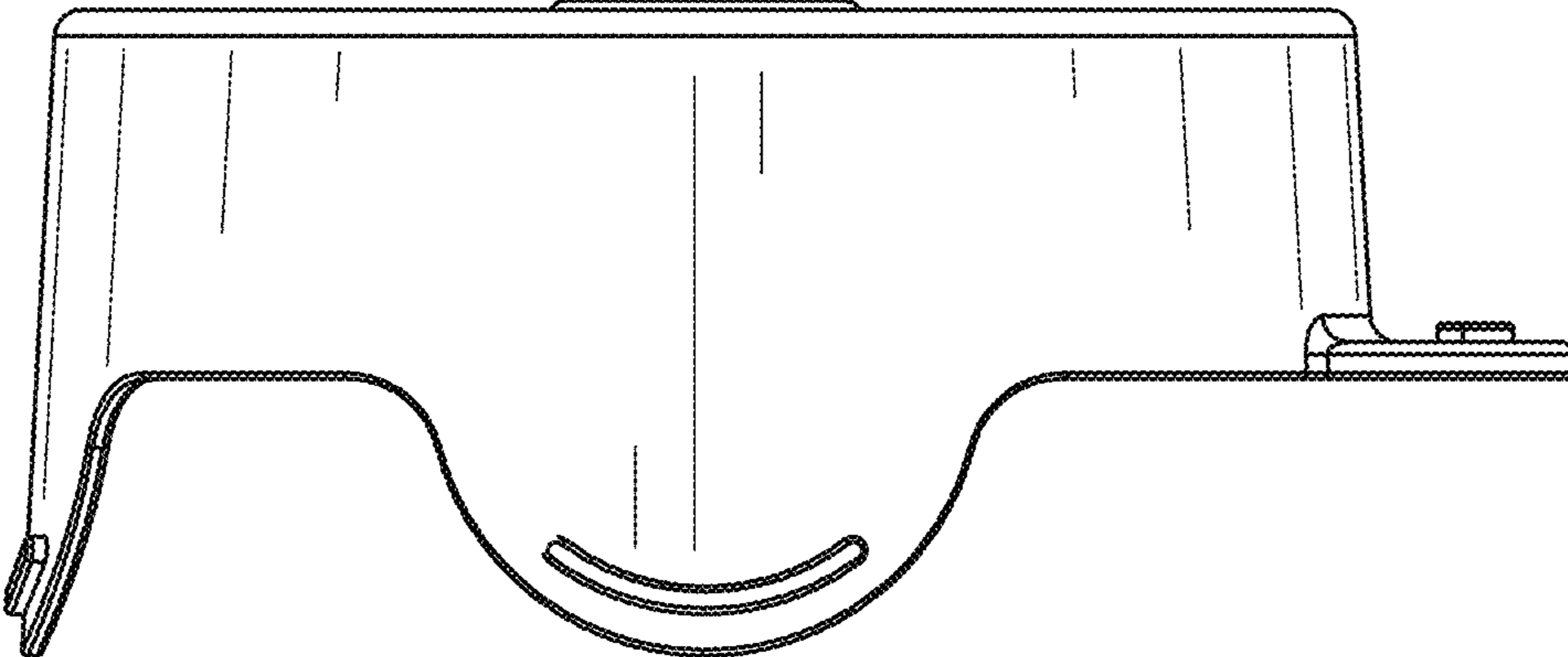


FIG. 7

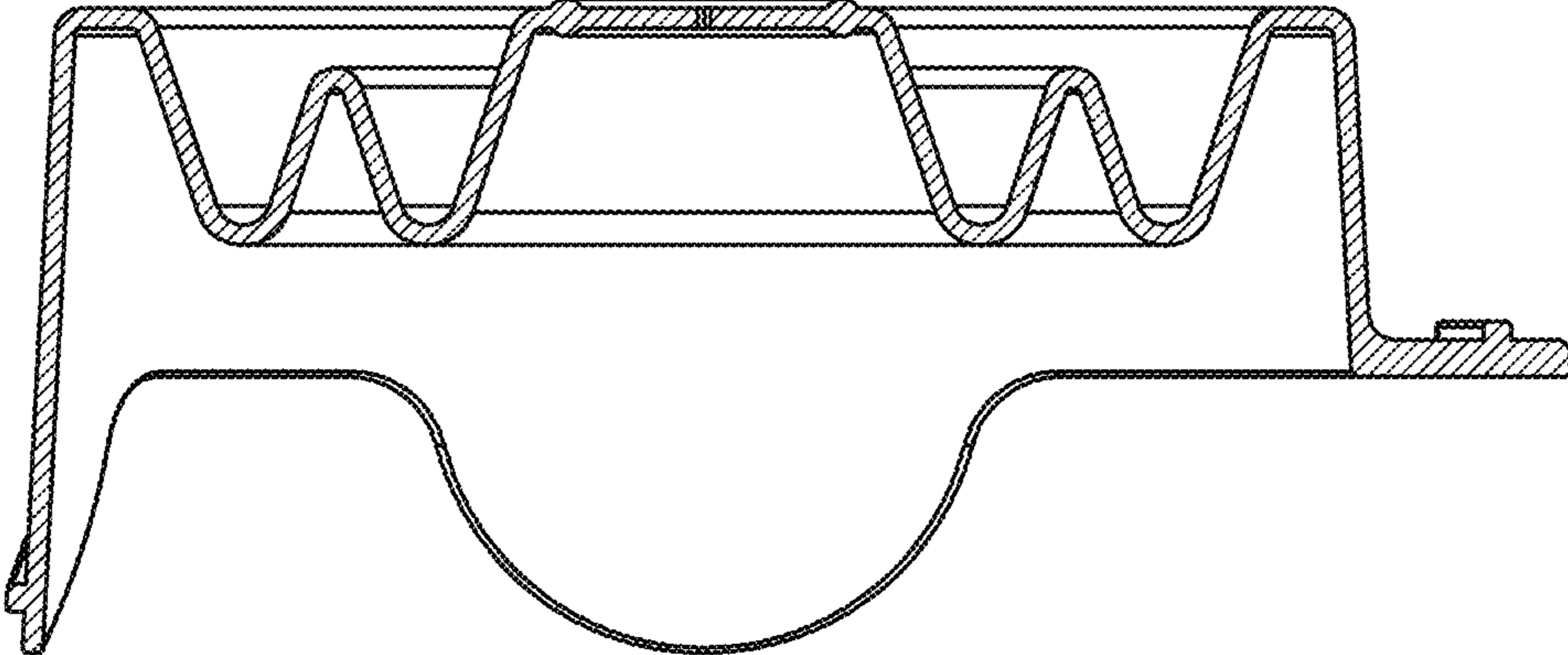


FIG. 8