



US00D779324S

(12) **United States Design Patent**  
**Martini et al.**

(10) **Patent No.:** **US D779,324 S**

(45) **Date of Patent:** **\*\* Feb. 21, 2017**

(54) **LID FOR PACKAGING**

(71) Applicant: **TETRA LAVAL HOLDINGS & FINANCE S.A.**, Pully (CH)

(72) Inventors: **Pietro Martini**, Parma (IT); **Livio Veronesi**, San Felice sul Panaro (IT); **Franco Cani**, Asti (IT); **Ivan Orlandi**, Savignano sul Panaro (IT); **Domenico Didonna**, Modena (IT); **Massimiliano Cereda**, Modena (IT); **Davide Corradi**, Soliera (IT); **Rocco De Paola**, Modena (IT); **Diego Cavanna**, Formigine (IT)

(73) Assignee: **TETRA LAVAL HOLDINGS & FINANCE S.A.**, Pully (CH)

(\*\*) Term: **14 Years**

(21) Appl. No.: **29/525,099**

(22) Filed: **Apr. 27, 2015**

(30) **Foreign Application Priority Data**

Nov. 25, 2014 (EM) ..... 002584656

(51) **LOC (10) Cl.** ..... **09-07**

(52) **U.S. Cl.**  
USPC ..... **D9/443**

(58) **Field of Classification Search**  
USPC ..... D7/602, 705; D9/434-440, 443-445, D9/447, 449, 450, 452-454, 499; 206/534; 215/213, 305  
CPC ..... B65D 2251/02  
See application file for complete search history.

(56) **References Cited**

**U.S. PATENT DOCUMENTS**

D276,598 S \* 12/1984 Bagwell ..... D9/443  
D315,102 S \* 3/1991 Chandler ..... D6/606

D359,451 S \* 6/1995 Dees ..... D9/443  
5,752,604 A \* 5/1998 Hayman ..... B65D 21/022  
206/508  
D472,145 S \* 3/2003 Nottingham ..... D9/443  
D580,750 S \* 11/2008 Claassen ..... D9/428  
D613,160 S \* 4/2010 Ablo ..... D9/436  
D621,705 S \* 8/2010 Breckan ..... D9/443  
D621,706 S \* 8/2010 Breckan ..... D9/443

(Continued)

*Primary Examiner* — Robert M Spear

*Assistant Examiner* — Darcey E Heflin

(74) *Attorney, Agent, or Firm* — Buchanan Ingersoll & Rooney PC

(57) **CLAIM**

The ornamental design for a lid for packaging, as shown and described.

**DESCRIPTION**

FIG. 1 is a perspective view of a lid for packaging showing a first embodiment of our new design.

FIG. 2 is a front elevational view thereof.

FIG. 3 is a rear elevational view thereof.

FIG. 4 is left side elevational view thereof.

FIG. 5 is a right side elevational view thereof.

FIG. 6 is a top plan view thereof.

FIG. 7 is a bottom plan view thereof.

FIG. 8 is a perspective view of a lid for packaging showing a second embodiment of our new design.

FIG. 9 is a front elevational view thereof.

FIG. 10 is a rear elevational view thereof.

FIG. 11 is left side elevational view thereof.

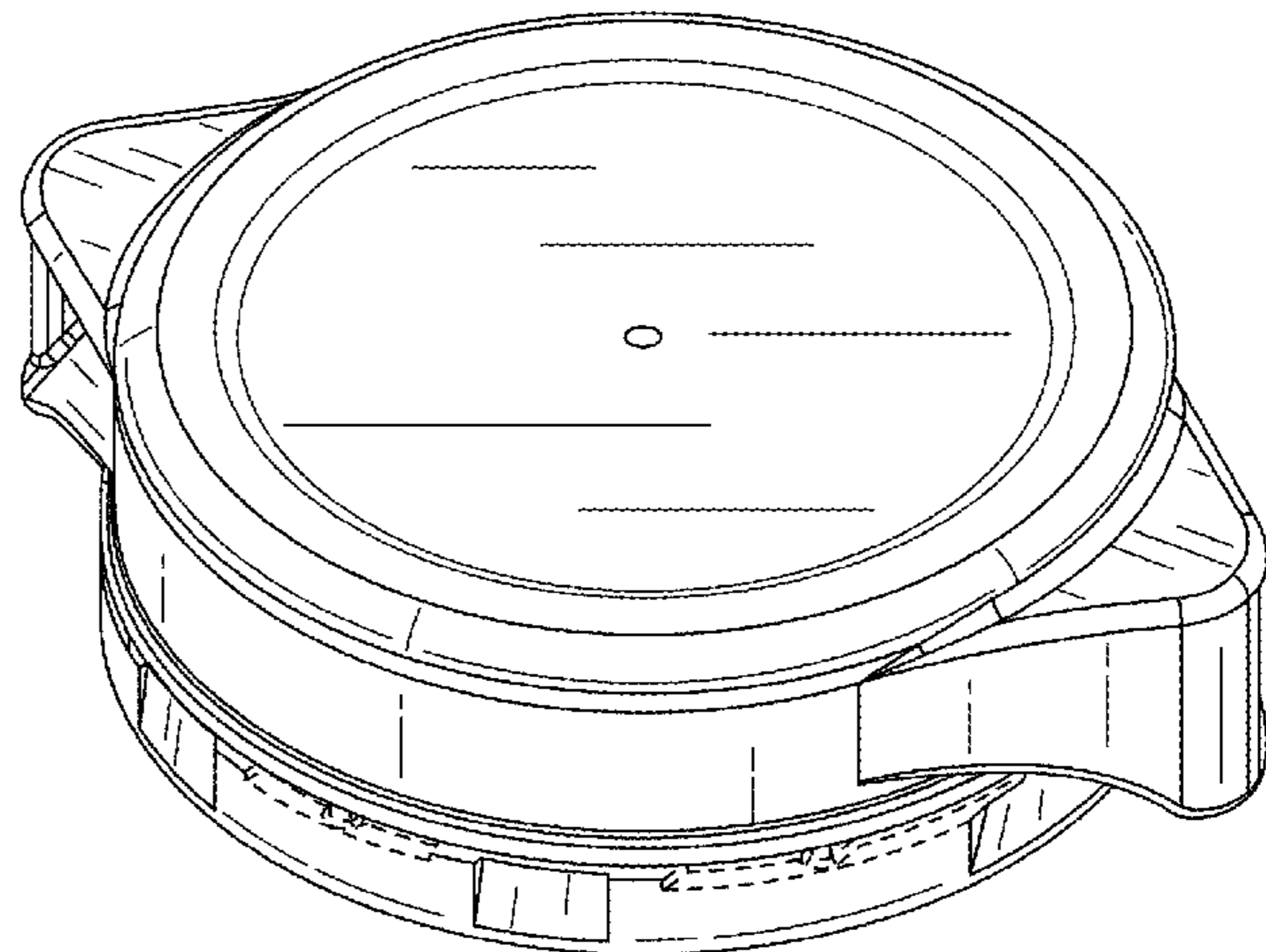
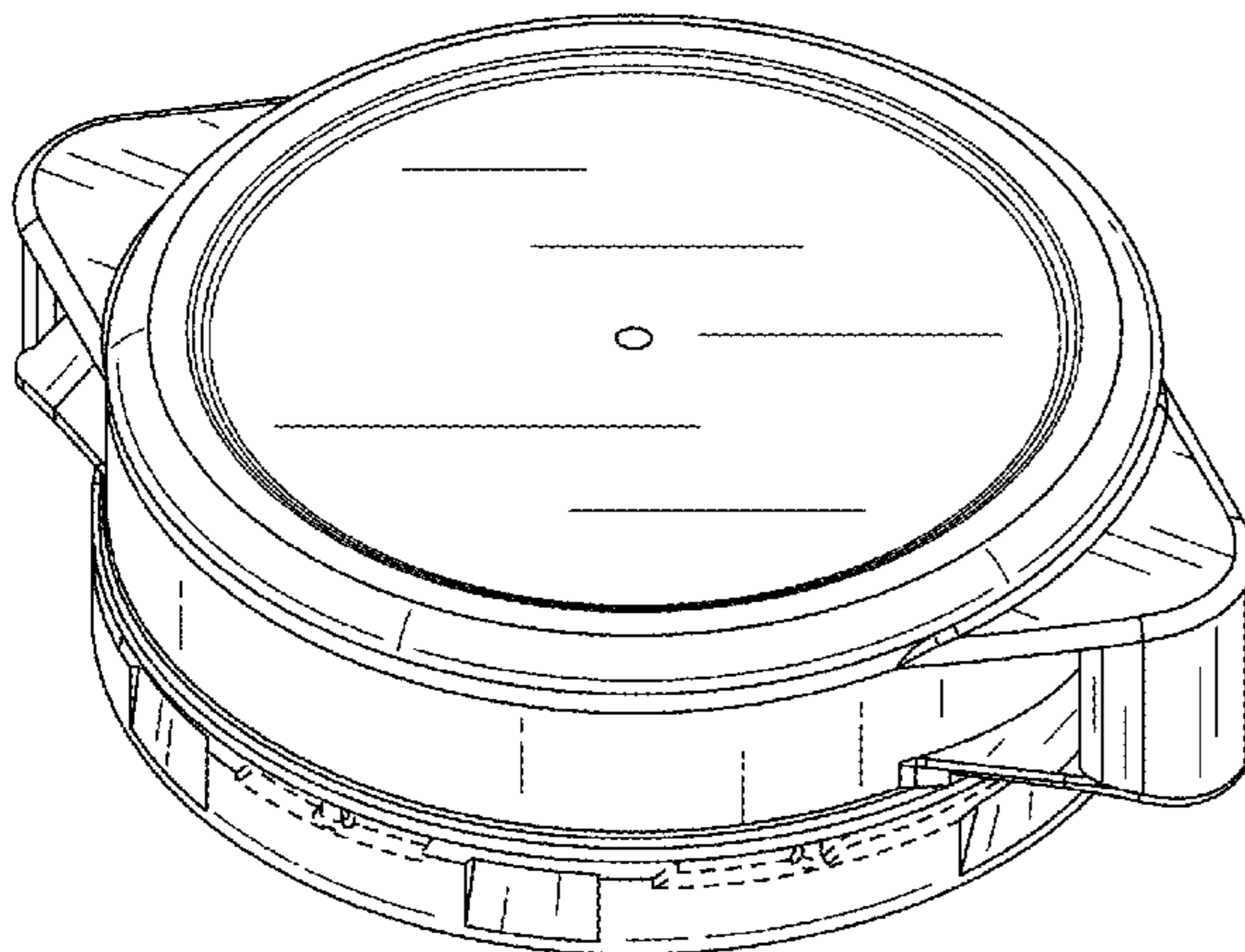
FIG. 12 is a right side elevational view thereof.

FIG. 13 is a top plan view thereof; and,

FIG. 14 is a bottom plan view thereof.

The broken line portion of the drawings is included to show unclaimed subject matter and forms no part of the claimed design.

**1 Claim, 10 Drawing Sheets**



(56)

**References Cited**

U.S. PATENT DOCUMENTS

D621,707 S	*	8/2010	Breckan .....	D9/443
D727,726 S	*	4/2015	Friedman .....	D9/443
D743,256 S	*	11/2015	Neumann .....	D9/443
D743,790 S	*	11/2015	Hussain .....	D9/447

\* cited by examiner

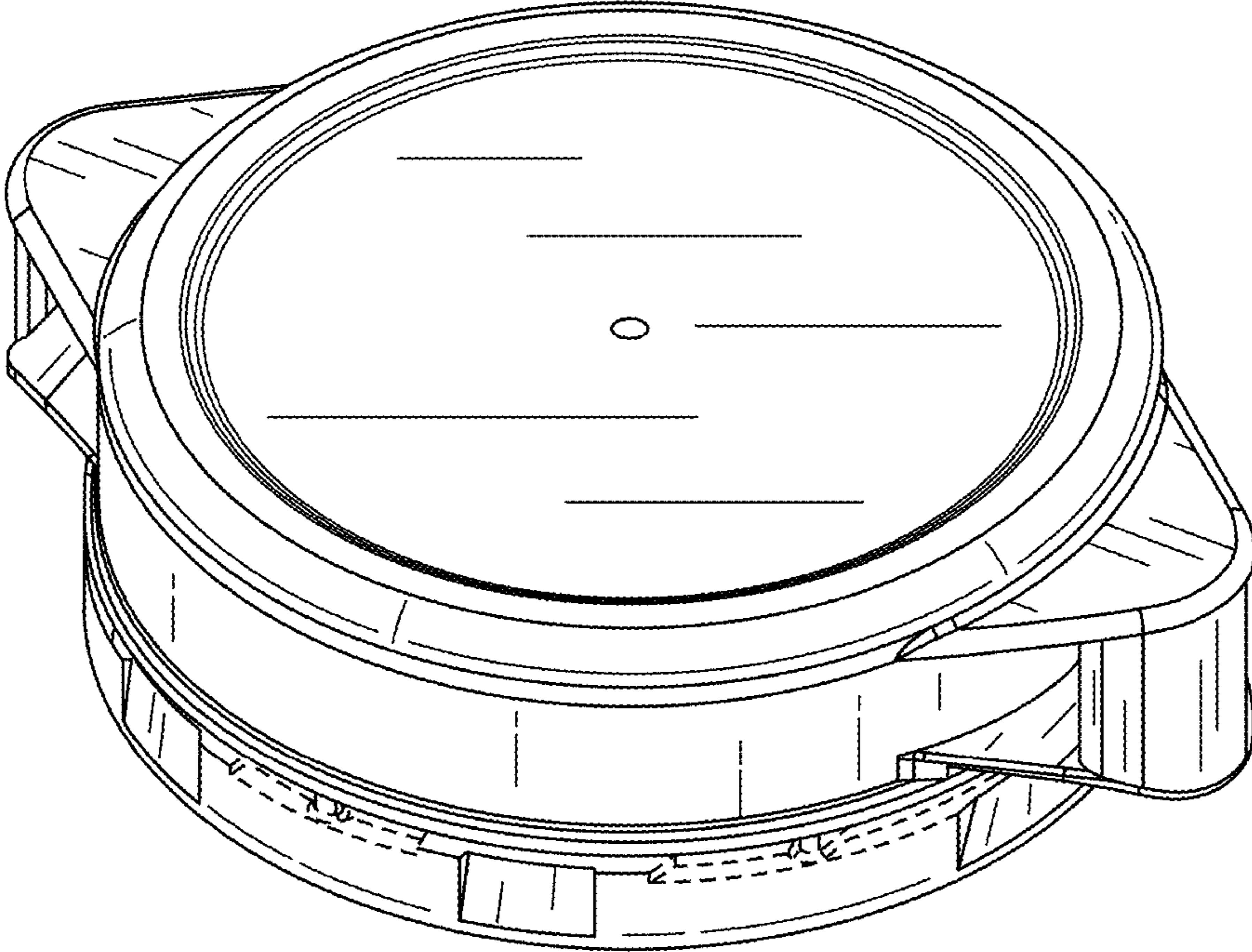


FIG. 1

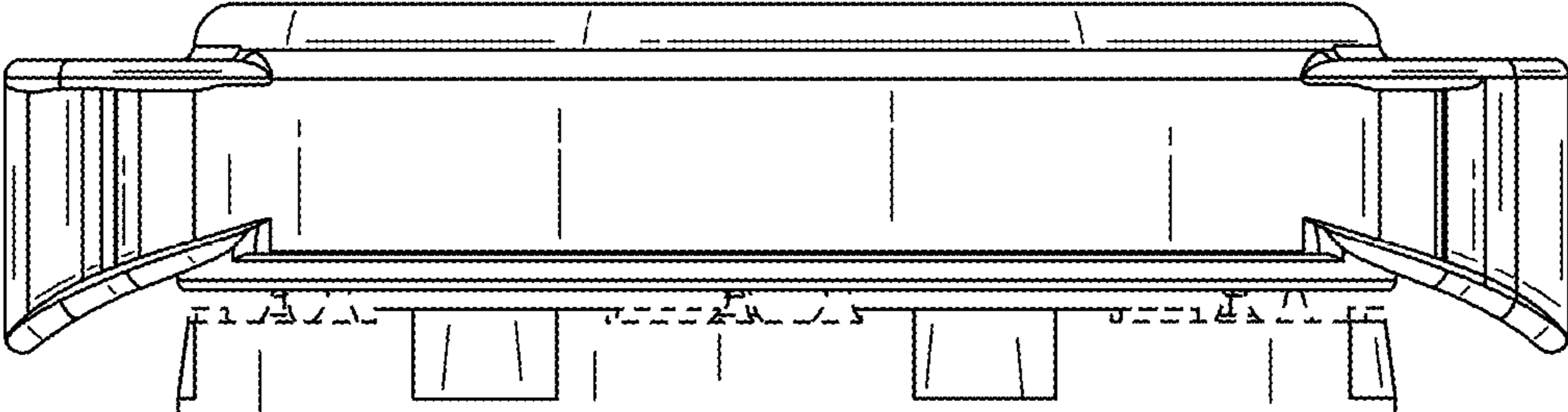


FIG. 2

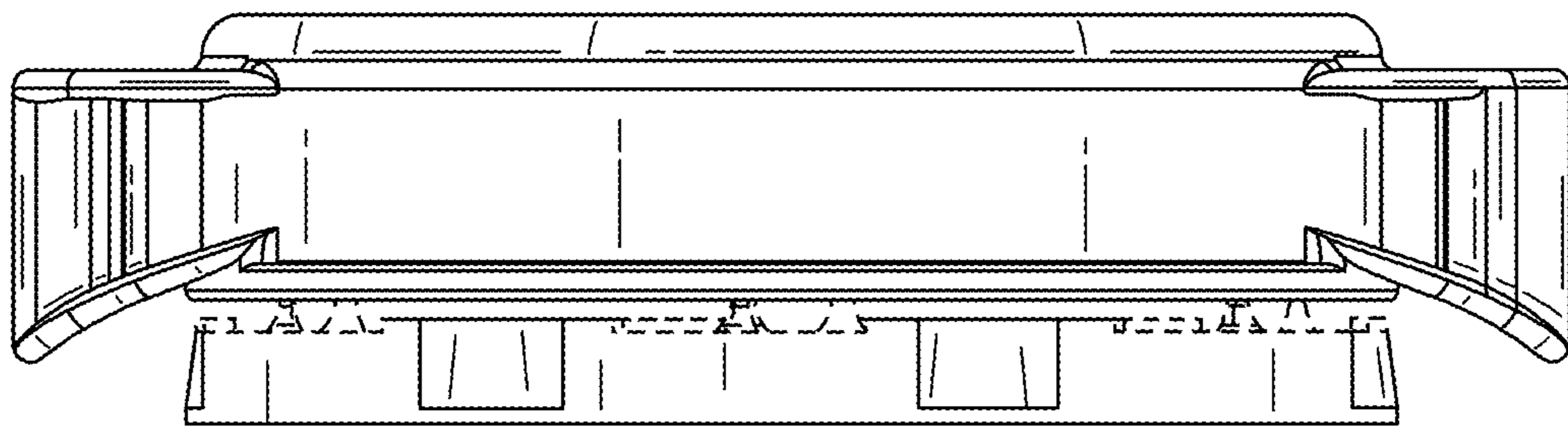


FIG. 3

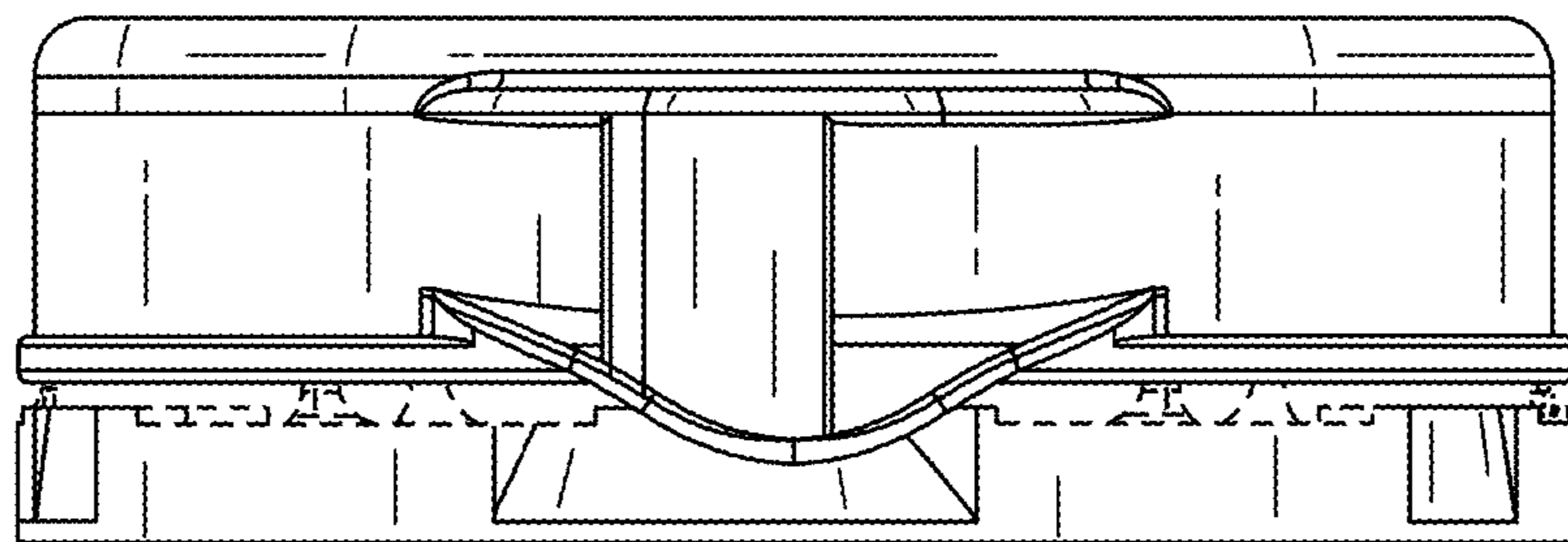


FIG. 4

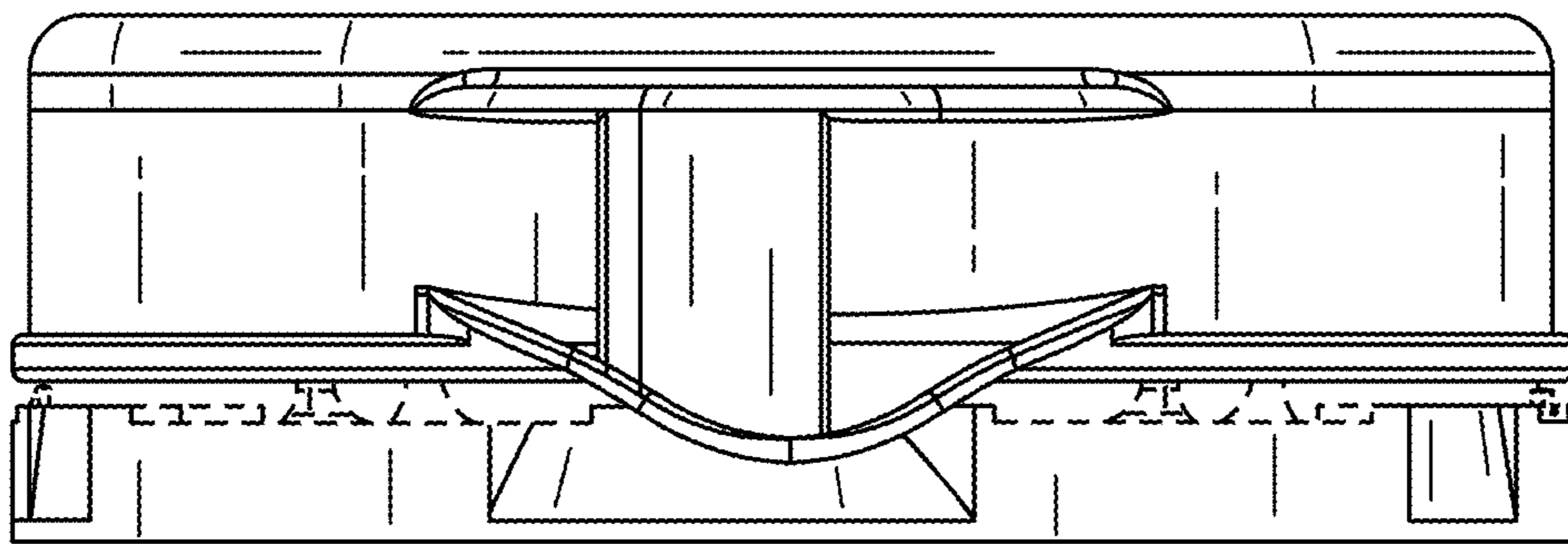


FIG. 5

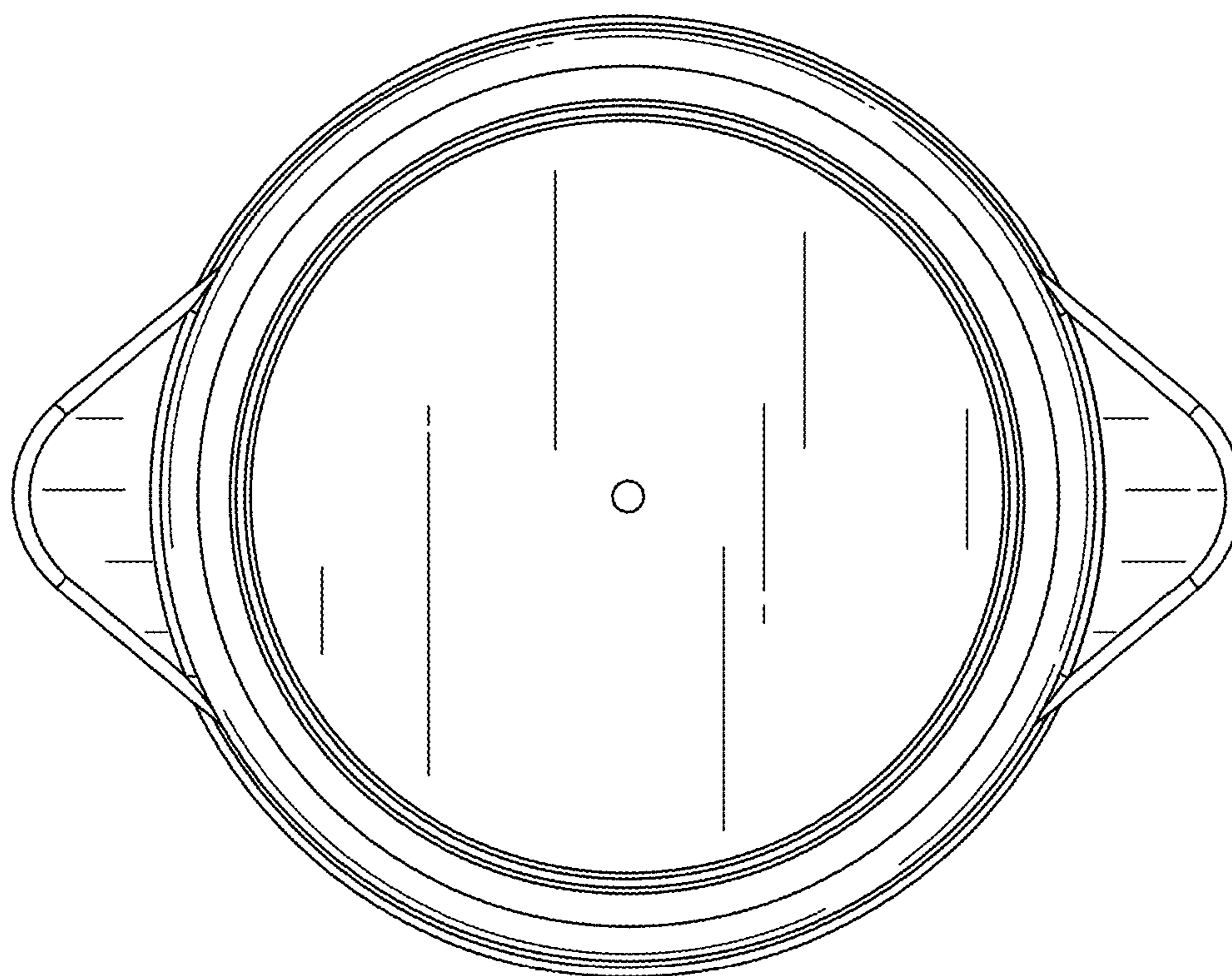


FIG. 6

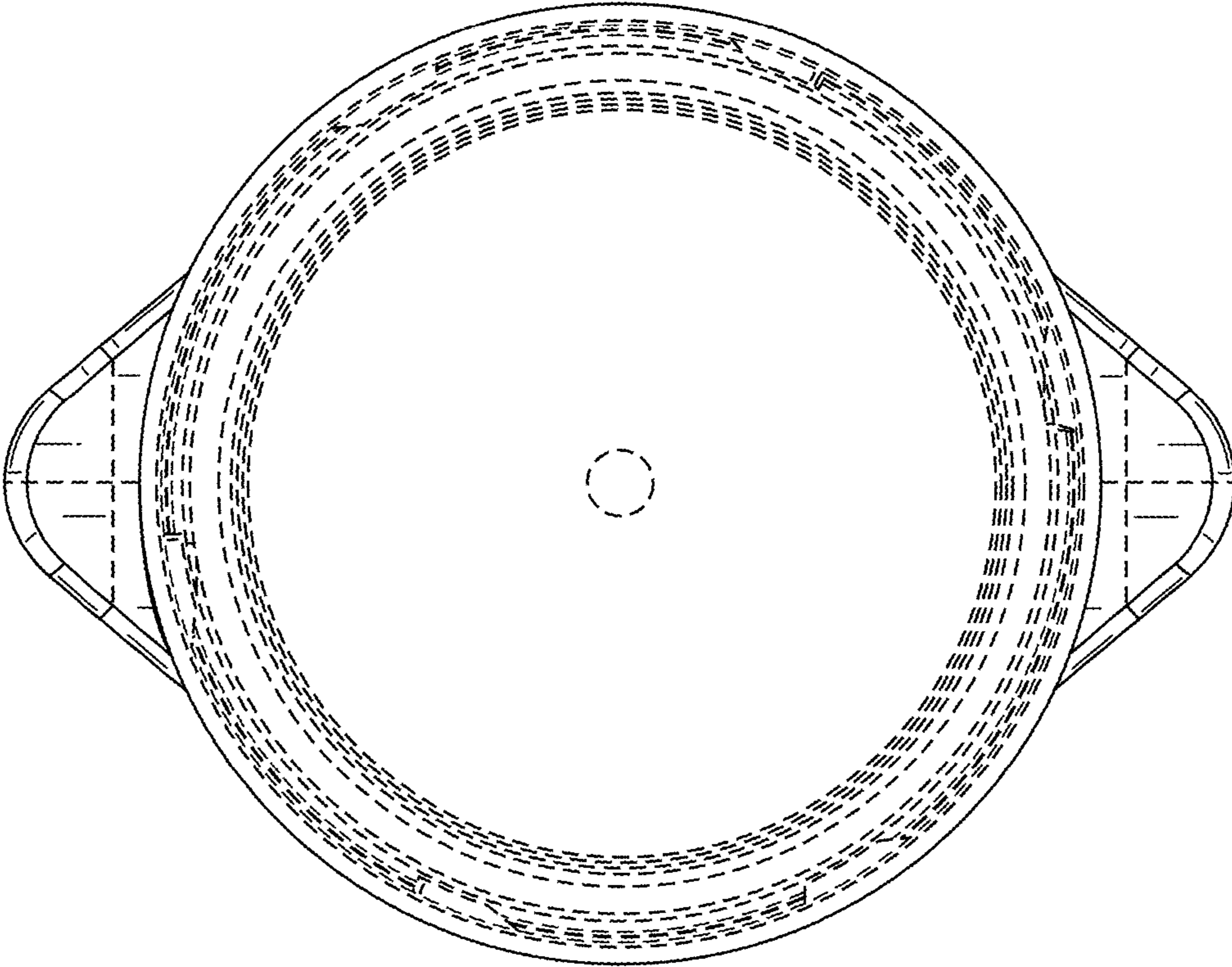


FIG. 7

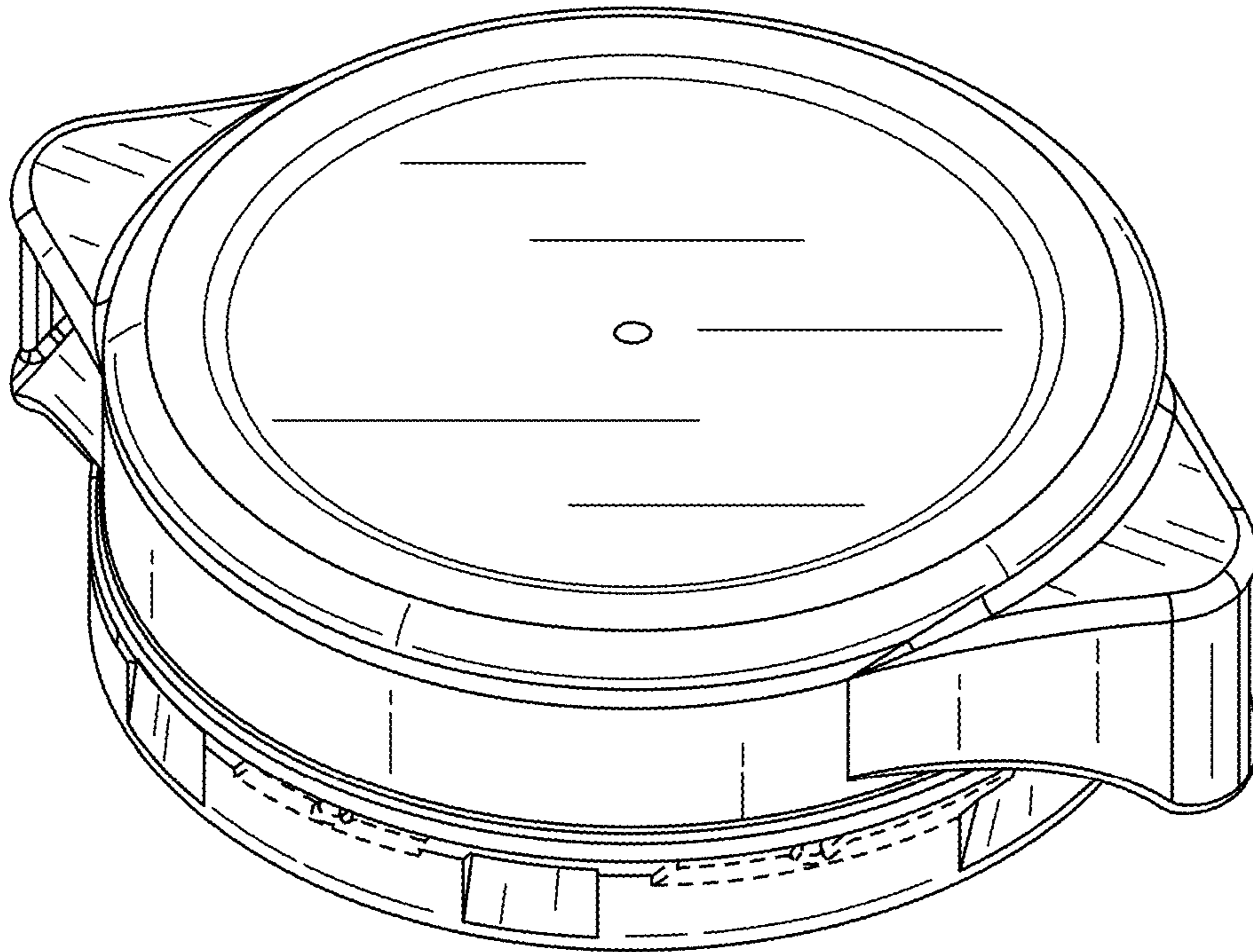


FIG. 8

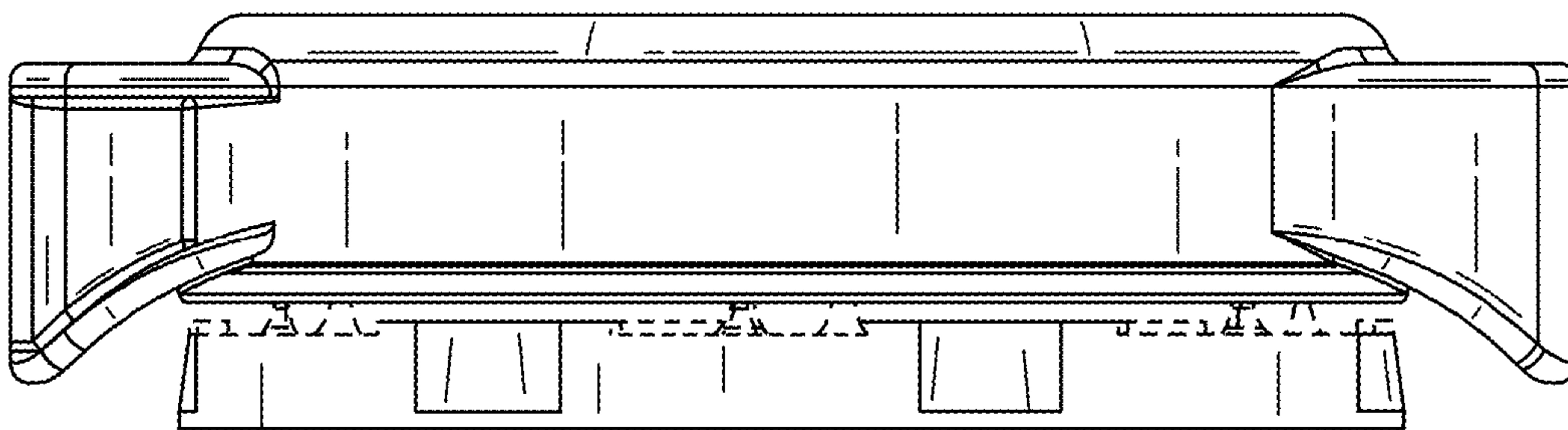


FIG. 9



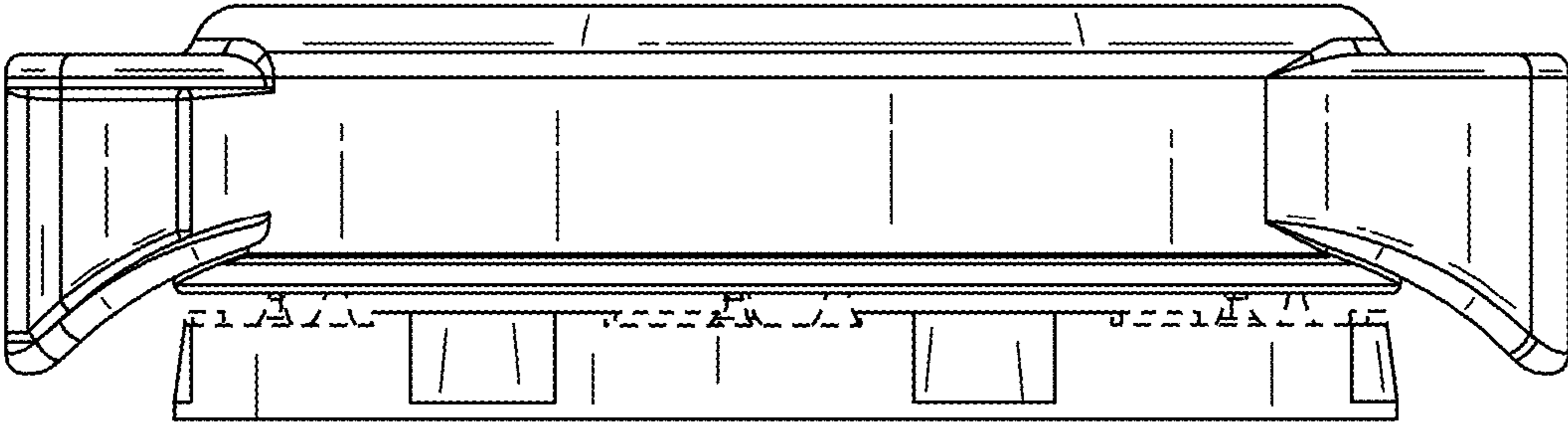


FIG. 10

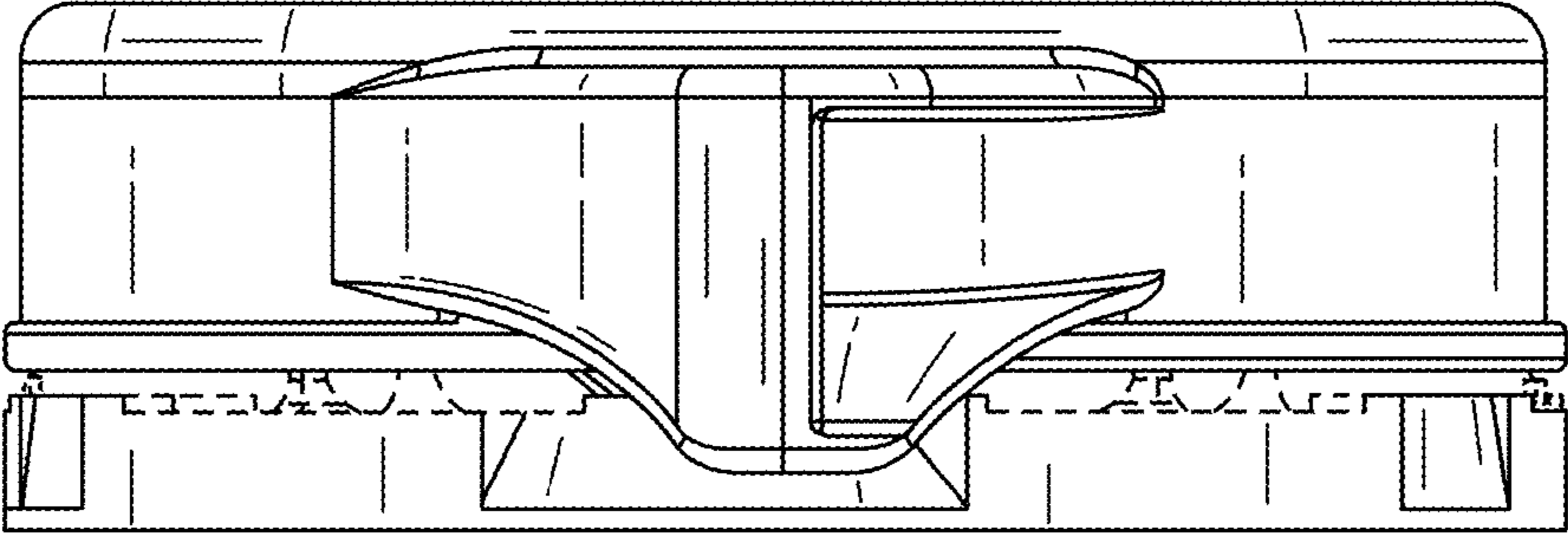


FIG. 11

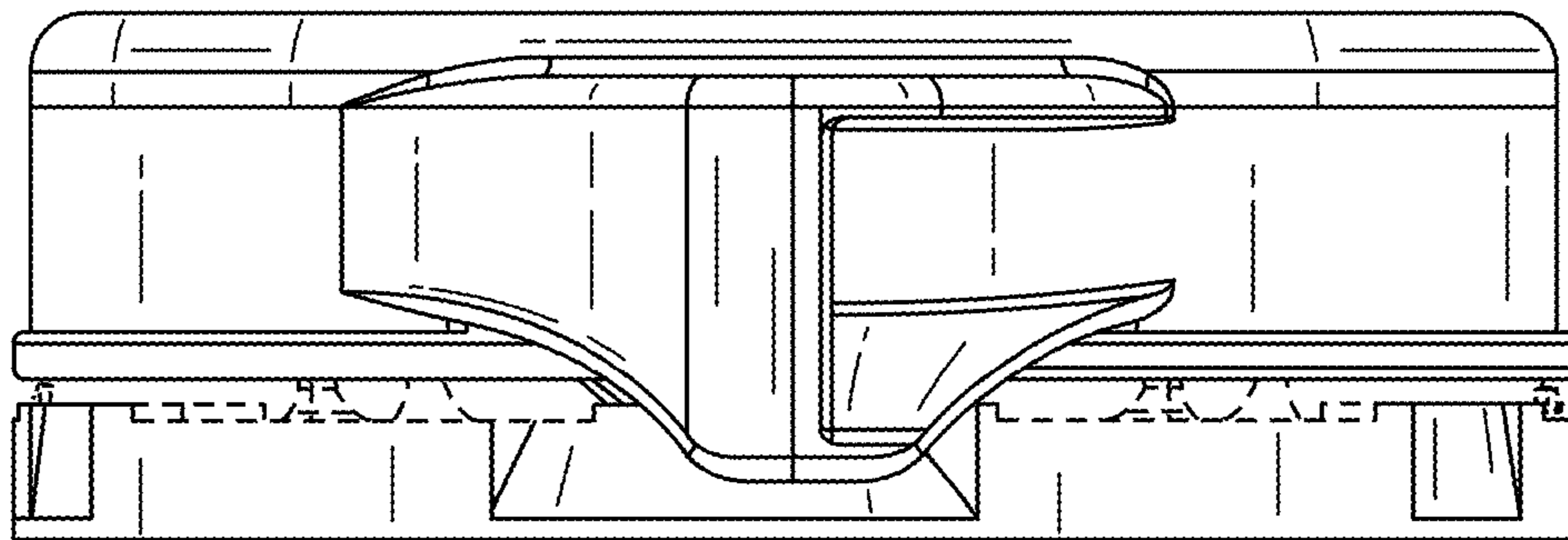


FIG. 12

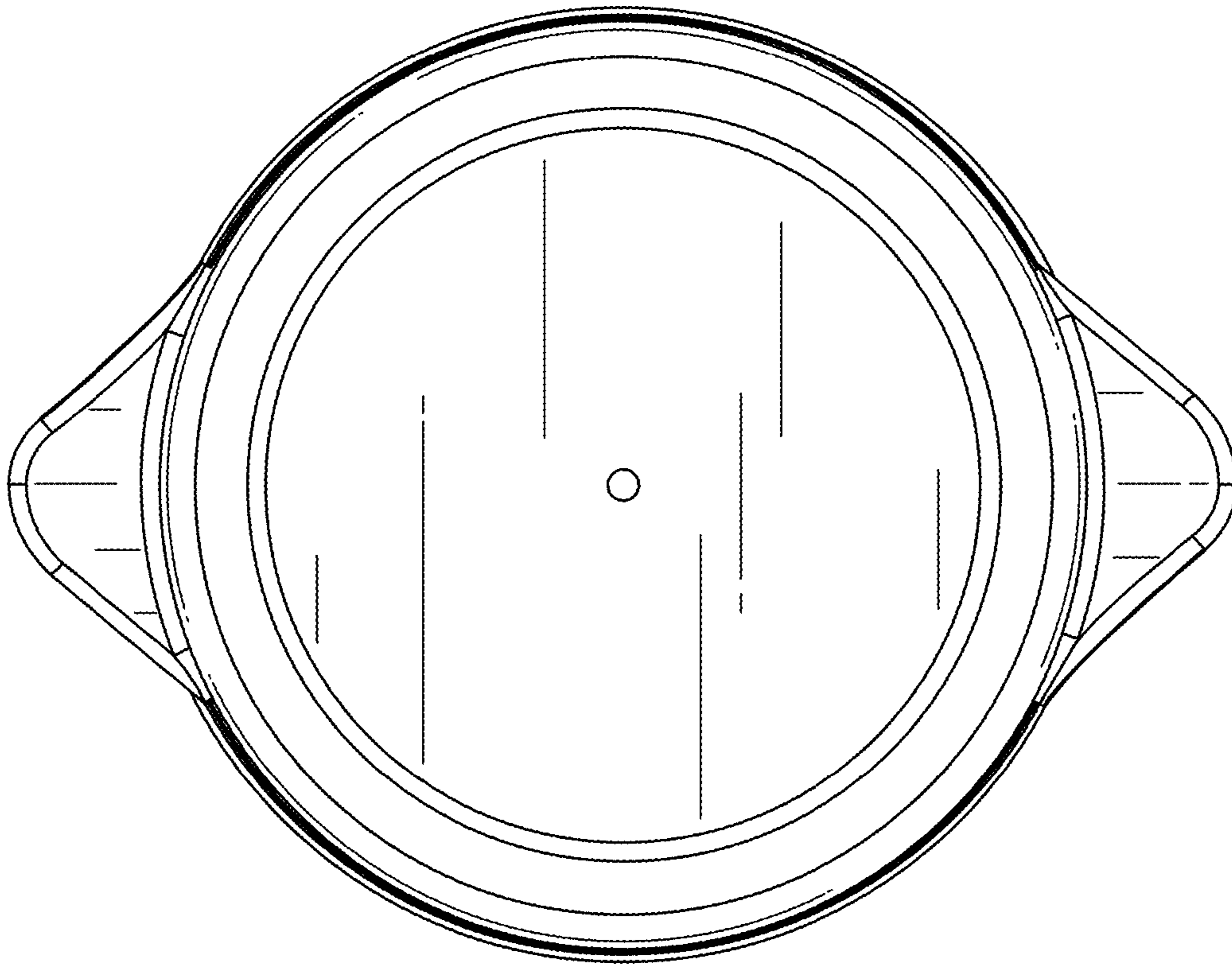


FIG. 13

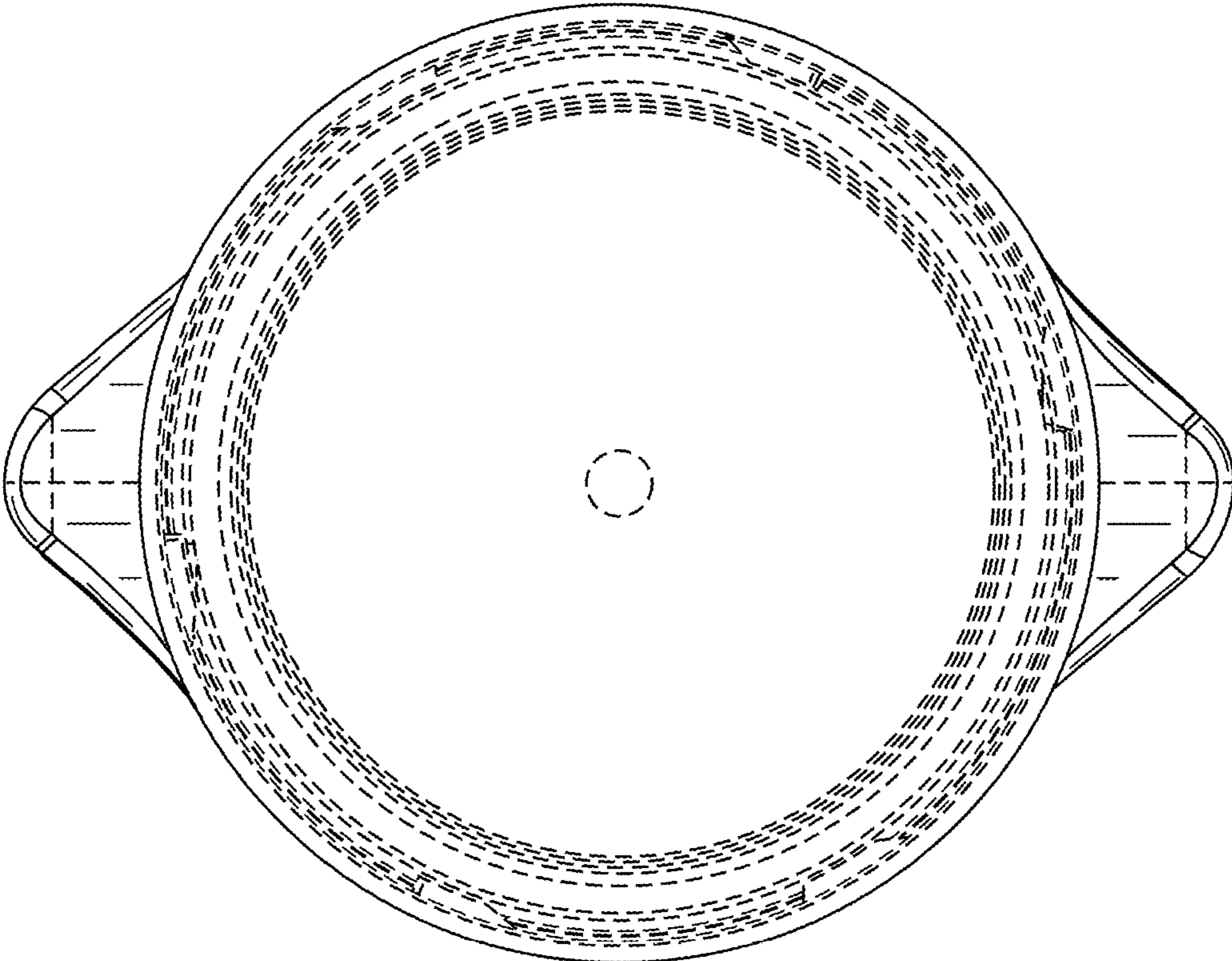


FIG. 14