



US00D779315S

(12) **United States Design Patent** (10) **Patent No.:** **US D779,315 S**  
**Hinkle** (45) **Date of Patent:** **\*\* Feb. 21, 2017**

(54) **OUTER PIPE CLAMP RING**  
(71) Applicant: **Billy Don Hinkle**, Moro, AR (US)  
(72) Inventor: **Billy Don Hinkle**, Moro, AR (US)  
(\*\*) Term: **14 Years**  
(21) Appl. No.: **29/487,247**  
(22) Filed: **Apr. 7, 2014**  
(51) **LOC (10) Cl.** ..... **08-08**  
(52) **U.S. Cl.**  
USPC ..... **D8/396; D23/262**  
(58) **Field of Classification Search**  
USPC ..... D8/396, 394, 356; D23/262; 24/274 R,  
24/279, 276; 285/252, 253, 410, 364, 407  
CPC .... A62C 13/78; A47K 10/14; A47G 25/0657;  
A47G 1/21; E05C 19/145; B63B 19/24;  
F16L 33/12; F16L 33/08; F16L 33/02  
See application file for complete search history.

(56) **References Cited**

**U.S. PATENT DOCUMENTS**

1,695,822 A \* 12/1928 Restein ..... F16J 15/22  
156/222  
2,775,806 A \* 1/1957 Love ..... F16L 23/06  
24/271  
D208,388 S \* 8/1967 Graham ..... D23/265  
D386,246 S \* 11/1997 Sonden ..... D23/262  
6,170,883 B1 \* 1/2001 Mattsson ..... F16L 17/025  
285/110  
D504,503 S \* 4/2005 Thurman ..... D23/393  
7,004,511 B2 \* 2/2006 Barron ..... F16L 21/08  
285/113  
D614,271 S \* 4/2010 Weston ..... D23/269  
D625,783 S \* 10/2010 Madara ..... D23/262

D629,496 S \* 12/2010 Madara ..... D23/262  
D654,785 S \* 2/2012 Clorley ..... D8/396  
D703,032 S \* 4/2014 Bigdeliazari ..... D8/396  
D703,033 S \* 4/2014 Karlsson ..... D8/396  
D715,412 S \* 10/2014 Sgherri ..... D23/259  
D723,362 S \* 3/2015 Bacon ..... D8/396  
D728,757 S \* 5/2015 Graham ..... D23/269  
D737,133 S \* 8/2015 Sandman ..... D8/396  
2006/0097524 A1 \* 5/2006 Stolzman ..... B65D 45/345  
292/256.69  
2006/0220395 A1 \* 10/2006 Kuzelka ..... B65D 45/34  
292/256.69  
2009/0294449 A1 \* 12/2009 Taylor ..... B65D 45/345  
220/321  
2010/0038902 A1 \* 2/2010 Sandman ..... B21D 19/046  
285/337

\* cited by examiner

*Primary Examiner* — John Windmuller  
(74) *Attorney, Agent, or Firm* — Keisling & Pieper PLC;  
David B. Pieper

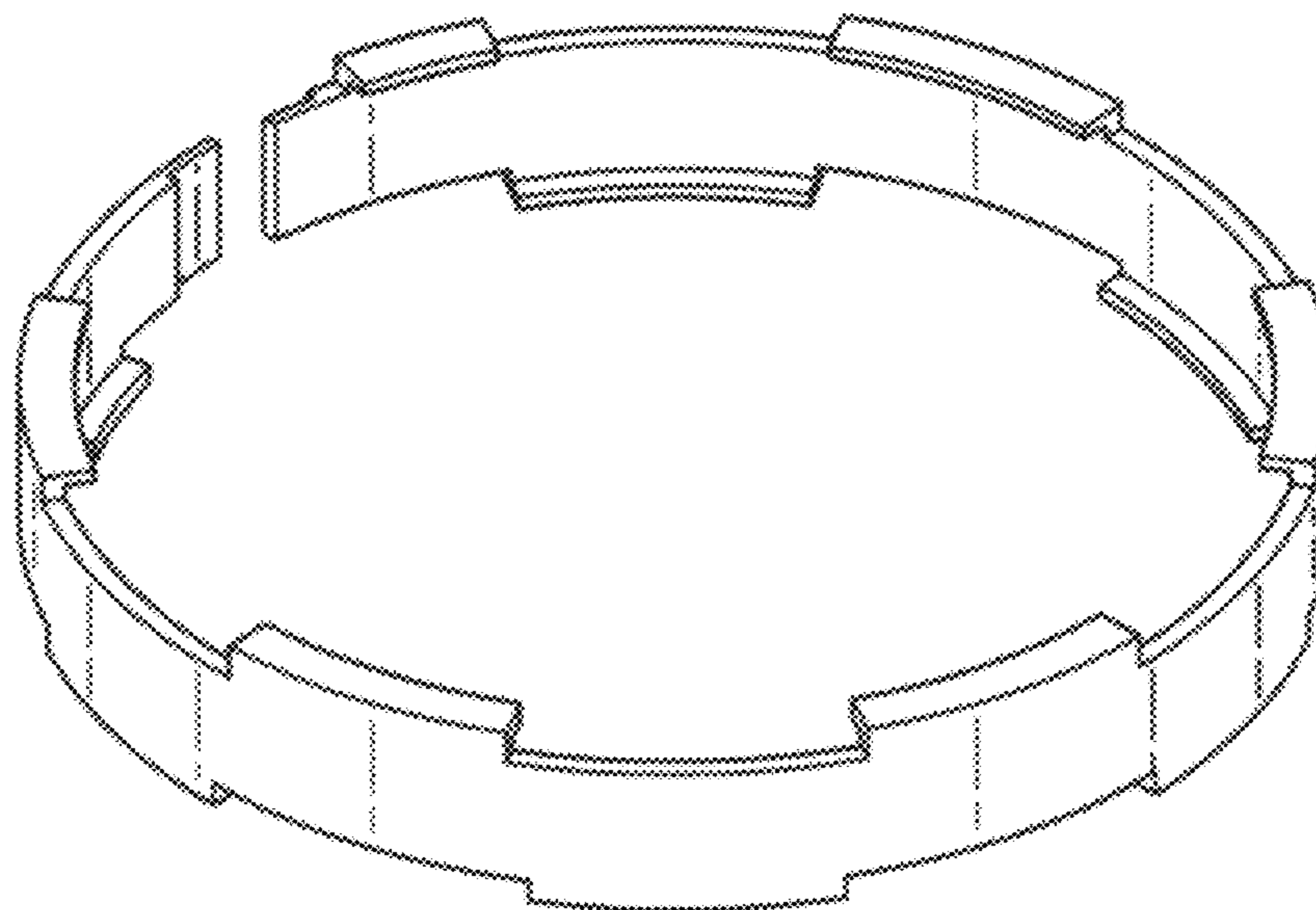
(57) **CLAIM**

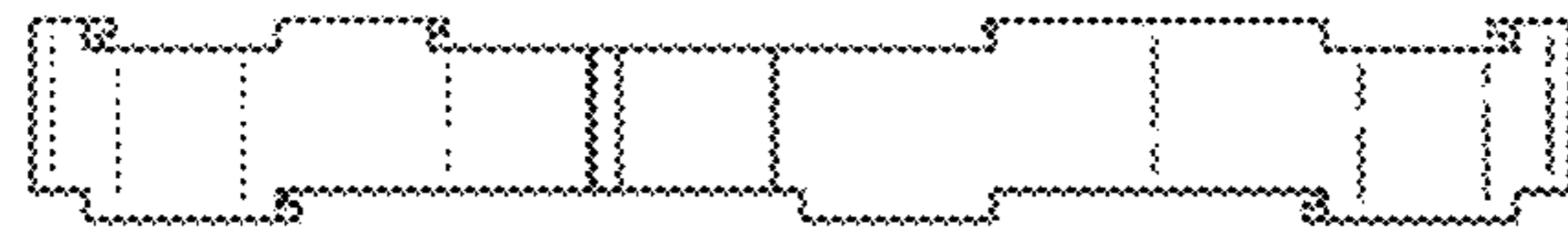
The ornamental design for an outer pipe clamp ring, as shown and described.

**DESCRIPTION**

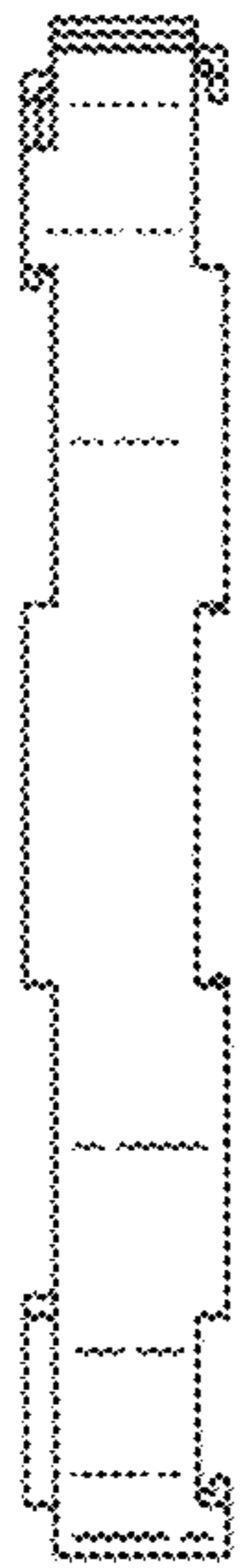
FIG. 1 is a top view of the outer ring showing my new design.  
FIG. 2 is a left side view thereof;  
FIG. 3 is a front view thereof;  
FIG. 4 is a right side view thereof;  
FIG. 5 is a bottom view thereof;  
FIG. 6 is a back view thereof;  
FIG. 7 is an isometric view thereof; and,  
FIG. 8 is another angle of an isometric view thereof.

**1 Claim, 3 Drawing Sheets**

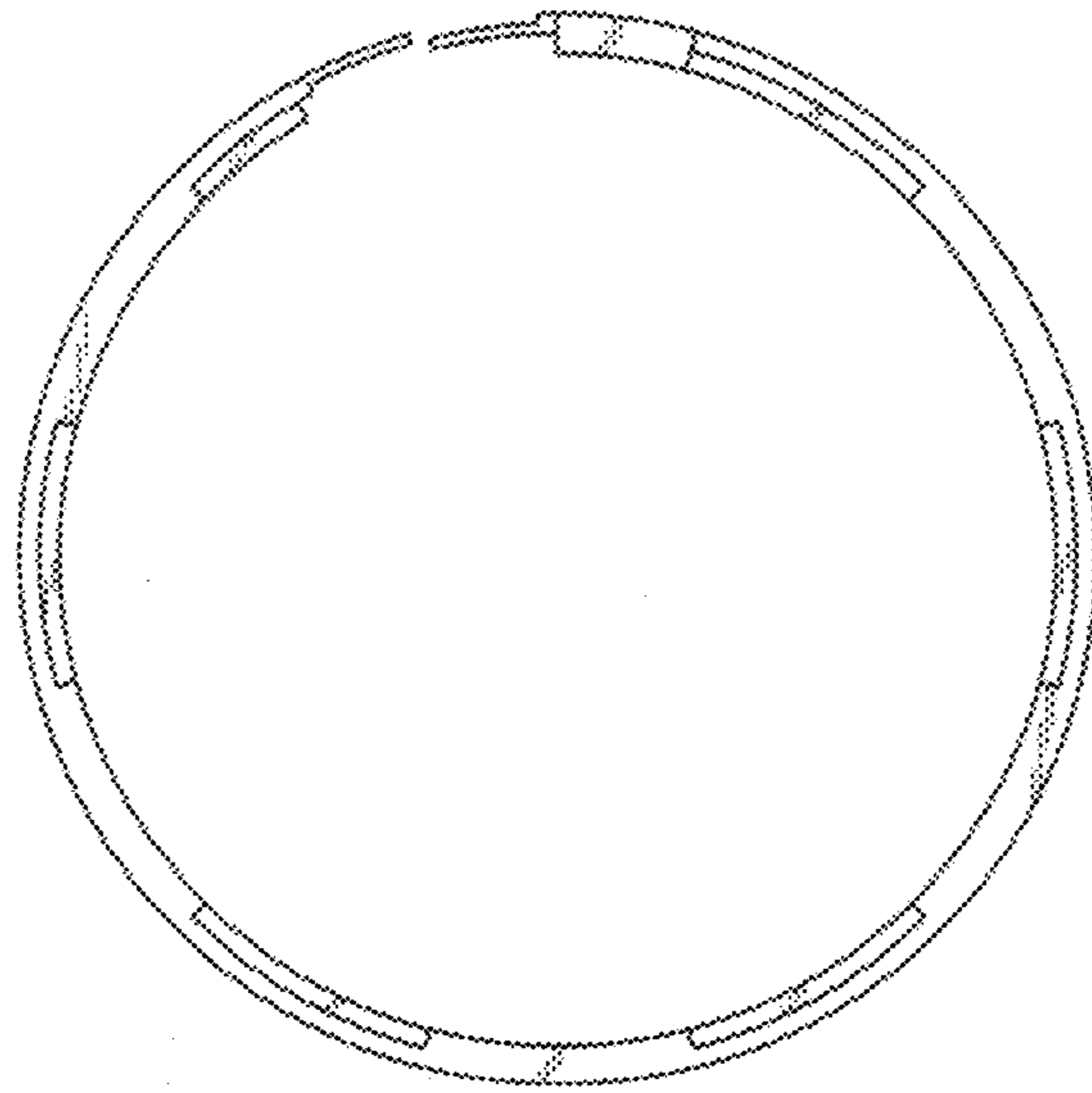




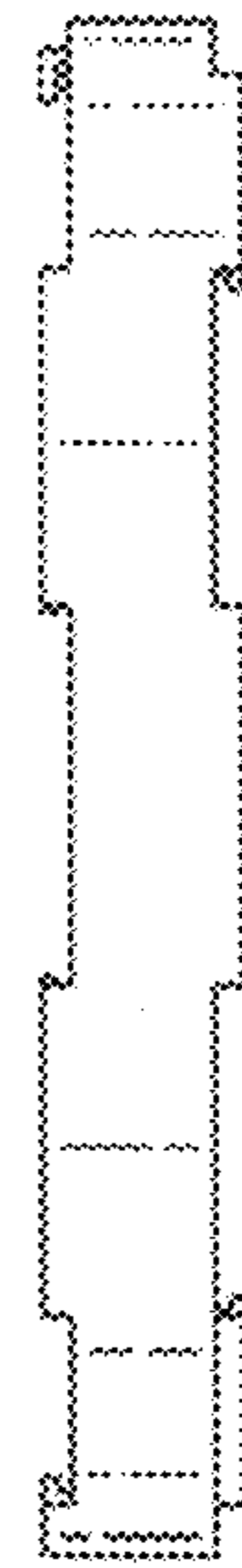
*FIG. 1*



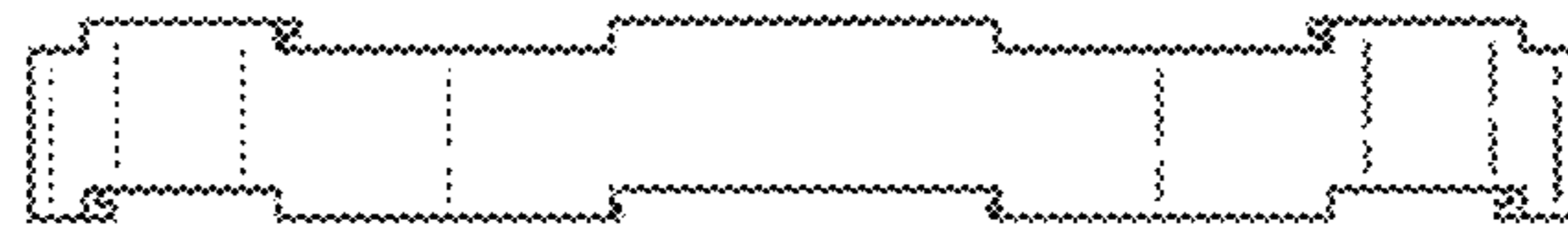
*FIG. 2*



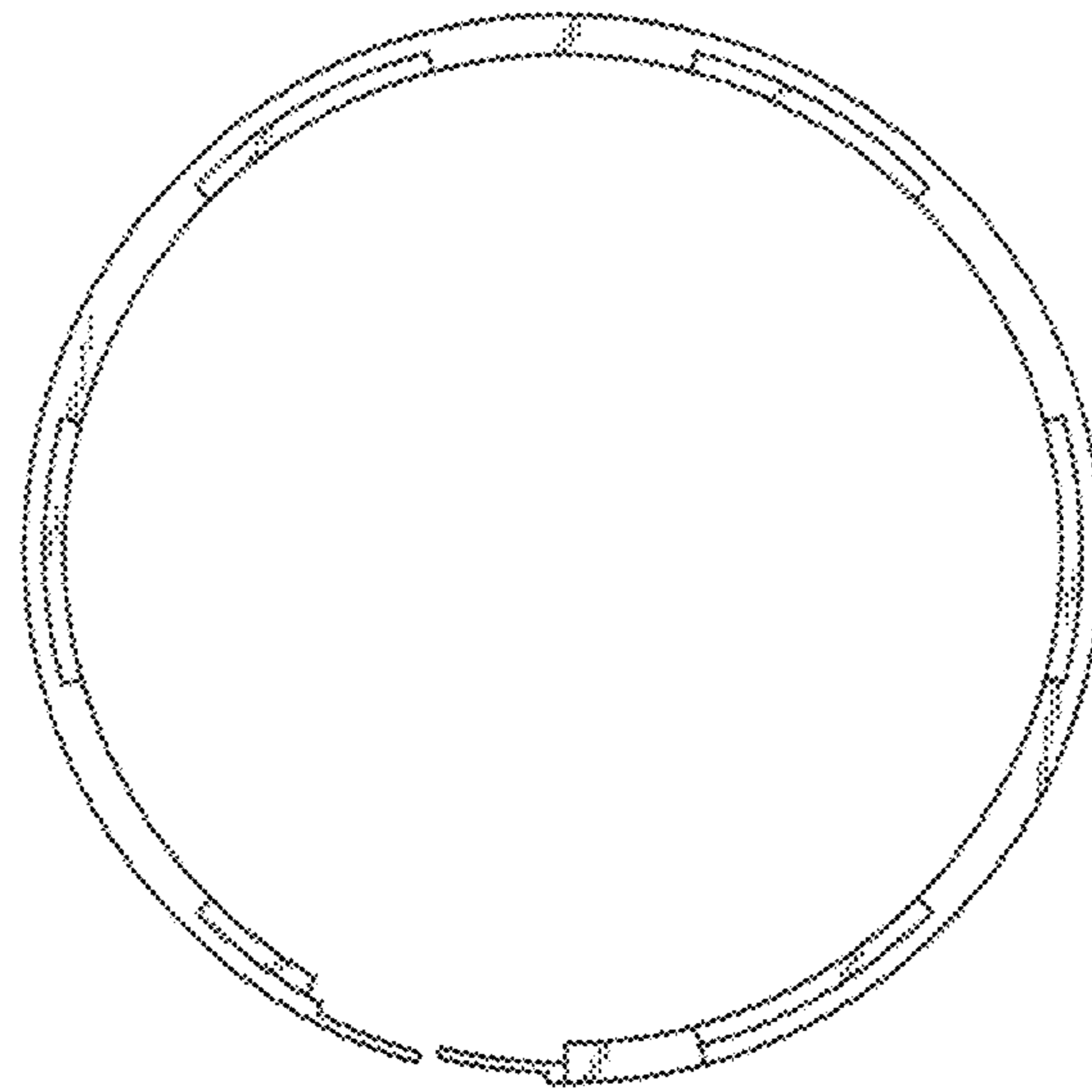
*FIG. 3*



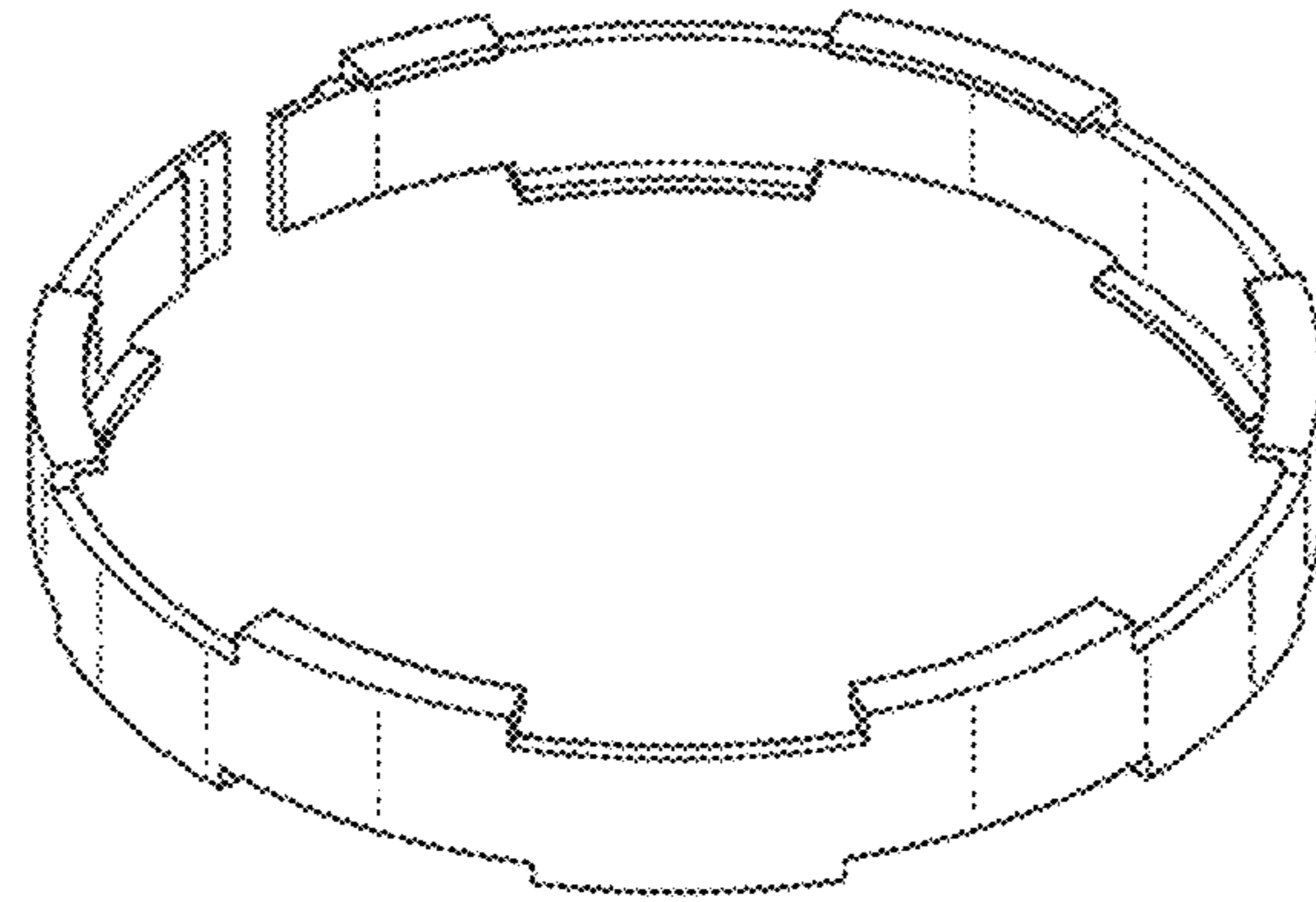
*FIG. 4*



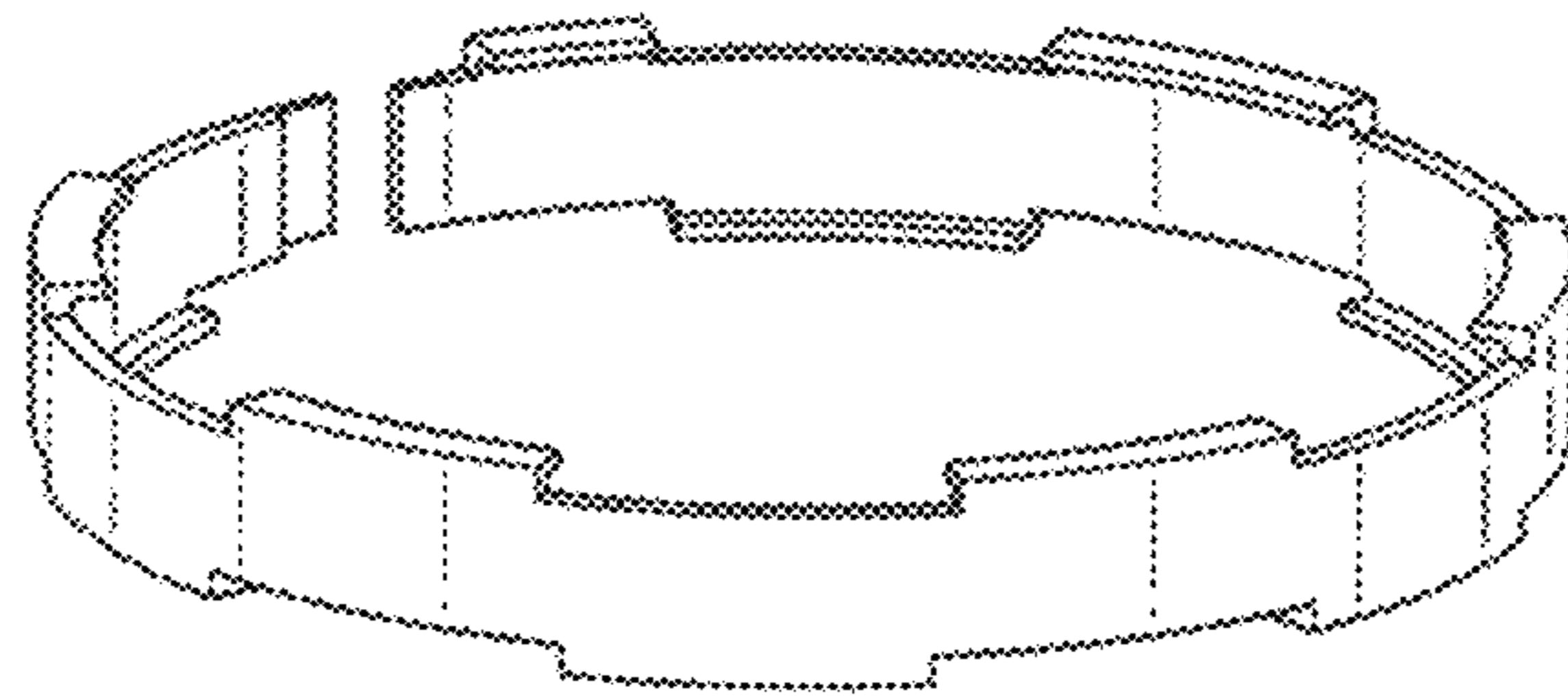
*FIG. 5*



*FIG. 6*



*FIG. 7*



*FIG. 8*