



US00D779314S

(12) **United States Design Patent** (10) **Patent No.:** **US D779,314 S**  
**Adams** (45) **Date of Patent:** **\*\* Feb. 21, 2017**

(54) **OFFSET CABLE TIE**  
(71) Applicant: **HellermannTyton Corporation,**  
Milwaukee, WI (US)  
(72) Inventor: **Scott J. Adams,** Menomonee Falls, WI  
(US)  
(73) Assignee: **HellermannTyton Corporation,**  
Milwaukee, WI (US)

D368,853 S 4/1996 Liu et al.  
5,584,452 A 12/1996 Koike  
5,803,413 A 9/1998 Benoit et al.  
5,884,367 A 3/1999 Teagno et al.  
5,921,510 A 7/1999 Benoit et al.  
D424,923 S 5/2000 Lodi  
6,076,781 A 6/2000 Kraus

(Continued)

(\*\*) Term: **14 Years**  
(21) Appl. No.: **29/514,667**  
(22) Filed: **Jan. 15, 2015**

**Related U.S. Application Data**

(62) Division of application No. 29/448,022, filed on Mar. 8, 2013, now Pat. No. Des. 723,361.  
(51) **LOC (10) Cl.** ..... **08-08**  
(52) **U.S. Cl.**  
USPC ..... **D8/383**  
(58) **Field of Classification Search**  
USPC ..... D8/383, 396, 395; 24/16 PB, 30.5 P,  
24/17 AP; 248/71, 73, 74.3  
See application file for complete search history.

(56) **References Cited**

**U.S. PATENT DOCUMENTS**

3,257,694 A 6/1966 Litwin  
D273,361 S 4/1984 Suzuki  
D281,301 S 11/1985 Spolar  
4,875,647 A 10/1989 Takagi et al.  
D305,977 S 2/1990 Ono  
5,131,613 A 7/1992 Kamiya et al.  
5,416,955 A 5/1995 Katsma  
D363,212 S 10/1995 Hill

**OTHER PUBLICATIONS**

Catalog pages from Avery Dennison catalog, Specialty Ties and Mount Ties, Year 2002, 2 pages.

(Continued)

*Primary Examiner* — Sheryl Lane

(74) *Attorney, Agent, or Firm* — Ryan Kromholz & Manion, S.C.

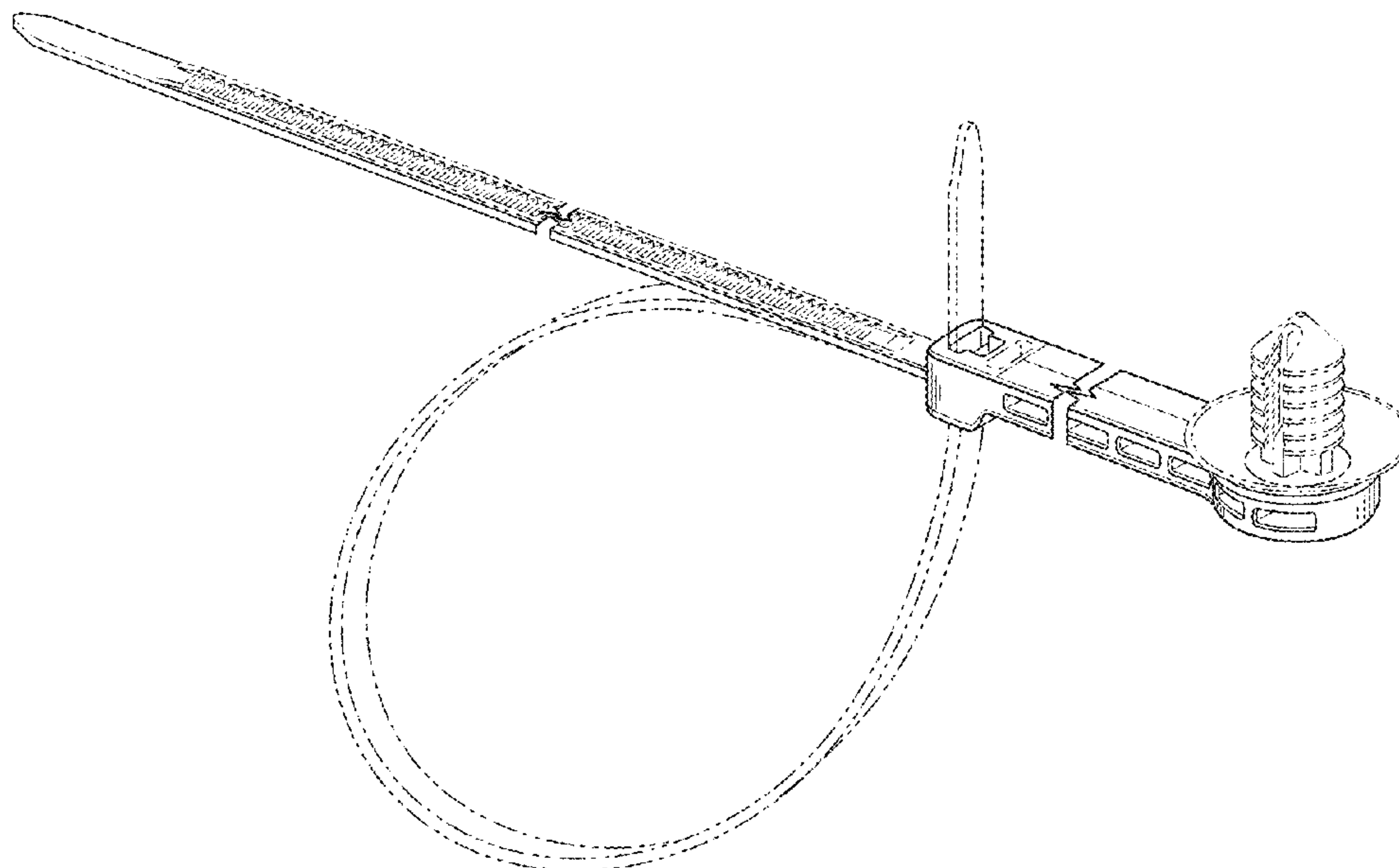
(57) **CLAIM**

The ornamental design for an offset cable tie, as shown and described.

**DESCRIPTION**

FIG. 1 is a perspective view of the offset cable tie; FIG. 2 is a right side elevation thereof; FIG. 3 is a left side elevation thereof; FIG. 4 is a top plan view thereof; FIG. 5 is a bottom plan view thereof; FIG. 6 is a front end elevation view thereof; and, FIG. 7 is a back end elevation view thereof. The broken lines represent portions of the article and form no part of the claimed design. The offset cable tie is shown with a symbolic break. Any portion between the break lines forms no part of the claimed design. FIGS. 2-5 are partial, enlarged views of FIG. 1.

**1 Claim, 2 Drawing Sheets**



(56)

References Cited

U.S. PATENT DOCUMENTS

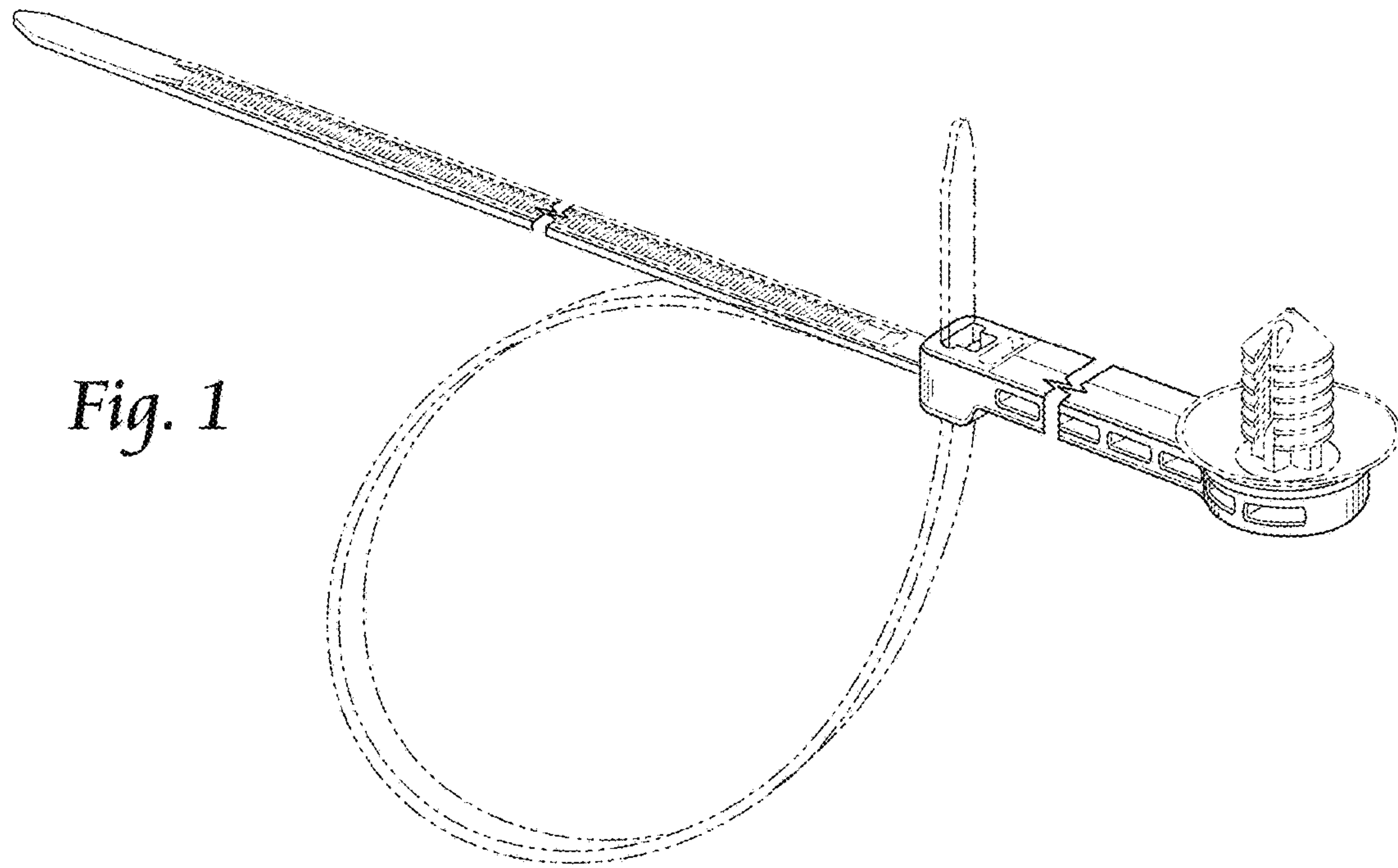
6,105,908 A 8/2000 Kraus  
 6,186,451 B1 2/2001 Benoit  
 6,196,033 B1 3/2001 Dowdle  
 6,196,751 B1 3/2001 Khokhar  
 D442,851 S 5/2001 Wilson  
 6,363,244 B1 3/2002 McGhee  
 6,749,157 B2 6/2004 Takeuchi  
 6,828,509 B2 12/2004 Ito et al.  
 D537,333 S 2/2007 Jowsey  
 7,229,052 B2 6/2007 Takeuchi  
 7,316,375 B2 1/2008 Wakabayashi et al.  
 D565,401 S 4/2008 Grady et al.  
 7,360,744 B2 4/2008 Kwilosz  
 D570,673 S 6/2008 Geiger et al.  
 7,600,724 B2 10/2009 Nelson et al.  
 7,661,633 B2 2/2010 Igarashi et al.  
 7,686,259 B2 3/2010 Caveney et al.  
 7,753,321 B2 7/2010 Geiger  
 7,770,852 B2 8/2010 Caveney  
 7,775,484 B2 8/2010 Gunzburger  
 D631,731 S 2/2011 Chen  
 D634,187 S 3/2011 Kozel  
 8,033,966 B2 10/2011 Ayoub  
 8,177,173 B2 5/2012 Spiess  
 8,282,047 B2 10/2012 Franks  
 D670,154 S 11/2012 Kelleghan  
 8,407,863 B2 \* 4/2013 Cheng ..... B65D 63/1072  
 24/16 PB  
 8,479,361 B2 \* 7/2013 Every ..... B65D 63/1063  
 24/16 PB  
 8,499,419 B2 \* 8/2013 Cheng ..... B65D 63/1063  
 24/16 PB  
 D698,631 S \* 2/2014 Wang ..... D8/383

D698,632 S \* 2/2014 Wang ..... D8/383  
 D698,633 S 2/2014 Adams  
 8,726,468 B2 \* 5/2014 Dyer ..... B65D 63/1063  
 24/16 PB  
 8,918,964 B2 \* 12/2014 Iwahara ..... B60R 16/0215  
 24/16 PB  
 D723,361 S 3/2015 Adams  
 8,973,220 B2 \* 3/2015 Moreau ..... B65D 63/1072  
 24/16 PB  
 9,021,681 B2 \* 5/2015 Owen ..... B65D 63/1081  
 24/16 PB  
 9,032,591 B2 \* 5/2015 Cheng ..... F16L 3/233  
 24/16 PB  
 9,038,246 B2 \* 5/2015 Liang ..... B65D 63/1072  
 24/16 PB  
 D739,714 S \* 9/2015 Geiger ..... D8/356  
 D741,691 S \* 10/2015 Adams ..... D8/356  
 D751,888 S \* 3/2016 Sakamoto ..... D8/383  
 D761,642 S \* 7/2016 Nagayasu ..... D8/383  
 2003/0106190 A1 6/2003 Christianson  
 2006/0265840 A1 11/2006 Thompson et al.  
 2007/0057124 A1 3/2007 Kwilosz  
 2008/0185409 A1 8/2008 Kellenberger  
 2009/0276983 A1 11/2009 Chan  
 2010/0071169 A1 3/2010 Williams et al.  
 2010/0306967 A1 12/2010 Geiger  
 2012/0291231 A1 11/2012 Ku

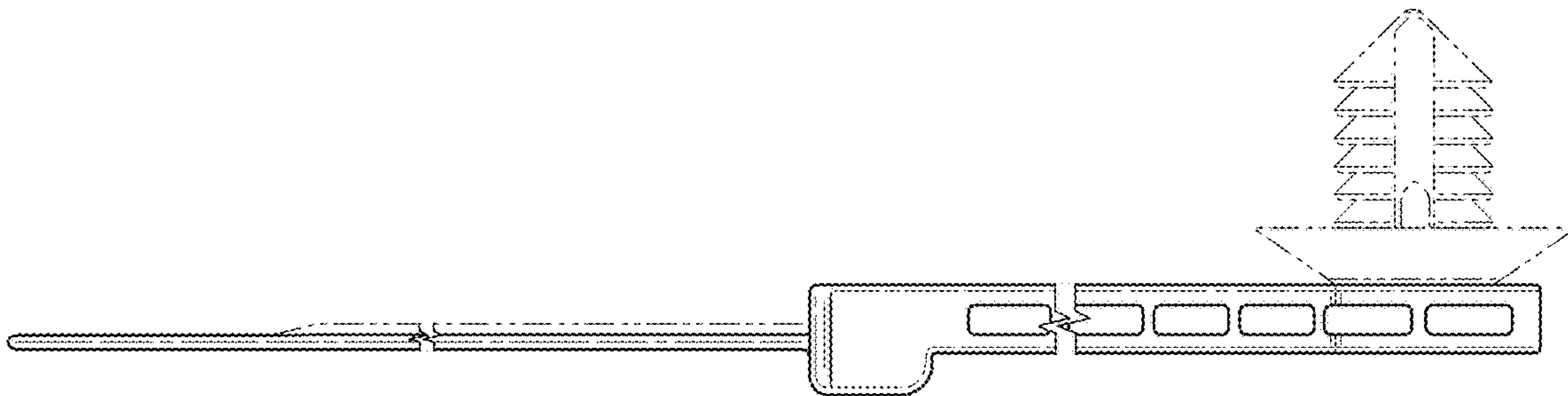
OTHER PUBLICATIONS

Catalog pages from Delphi catalog, Clips <http://connectors.delphi.com>, Dated Aug. 6, 2003, 3 pages.  
 Catalog from Avery Dennison, Application Specific Fasteners, [www.fastener.averydennison.com](http://www.fastener.averydennison.com), Year 2006, 4 pages.

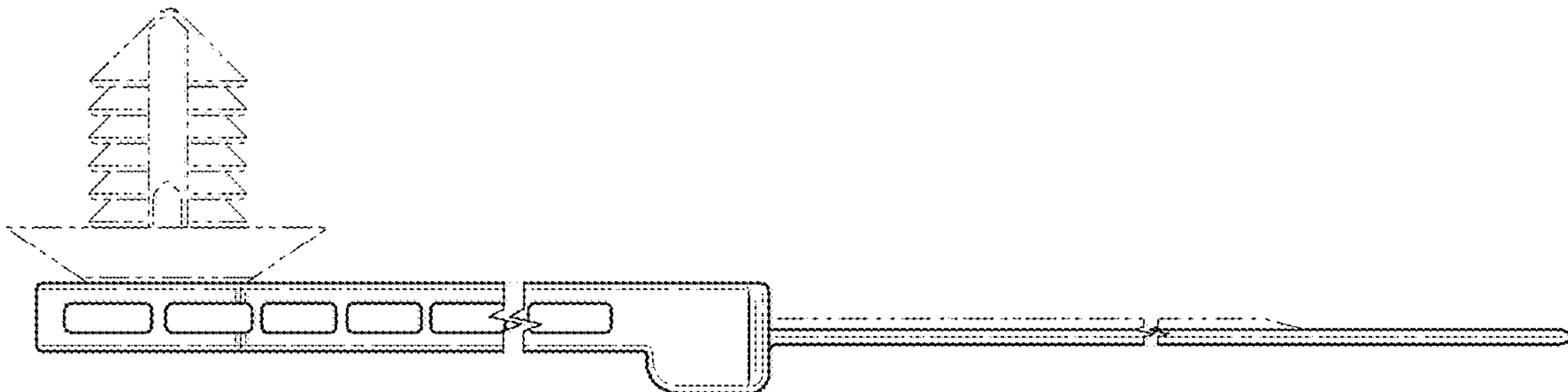
\* cited by examiner



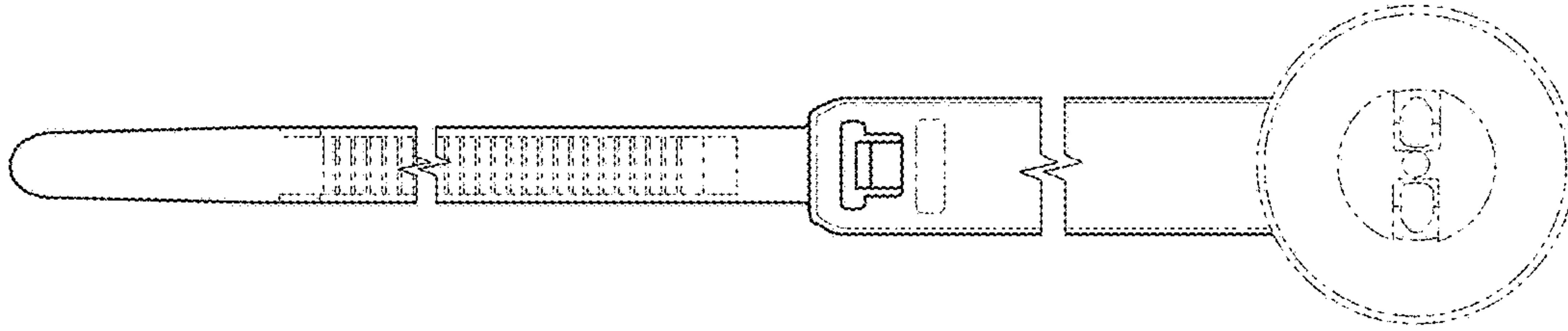
*Fig. 1*



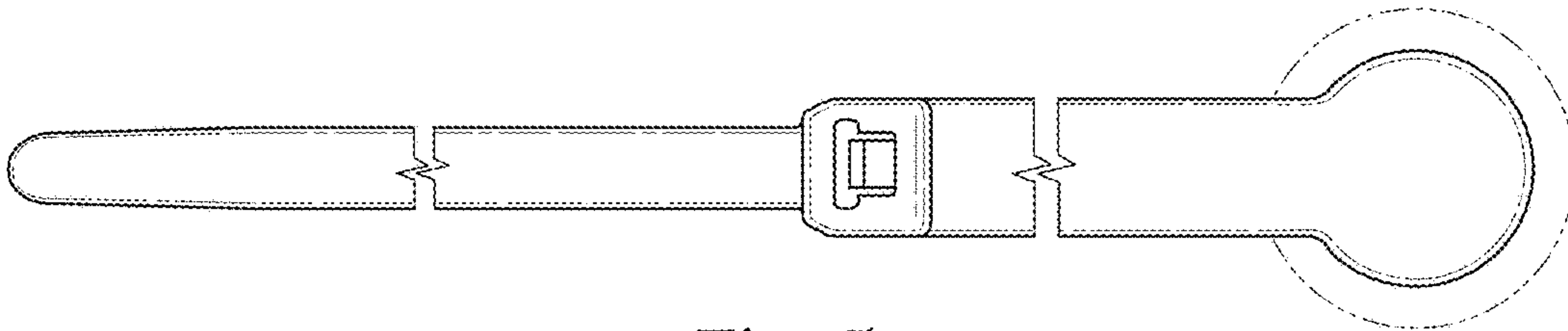
*Fig. 2*



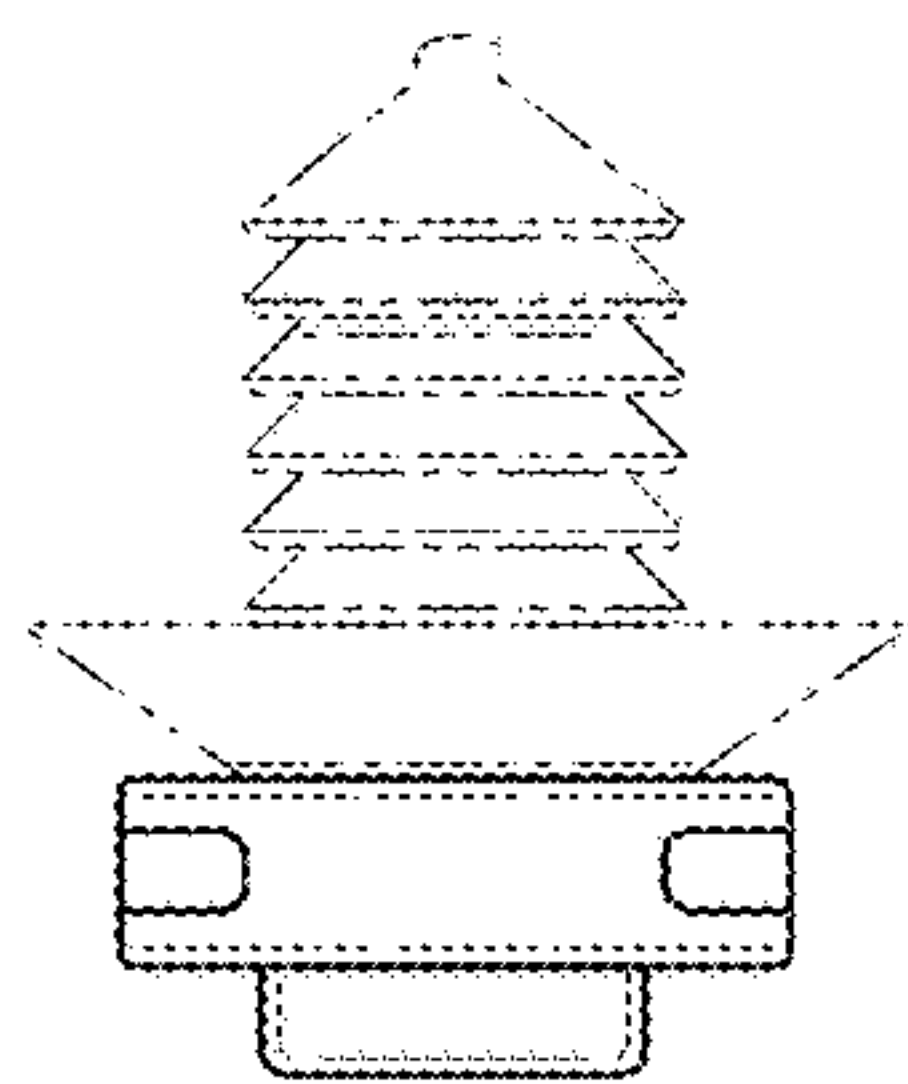
*Fig. 3*



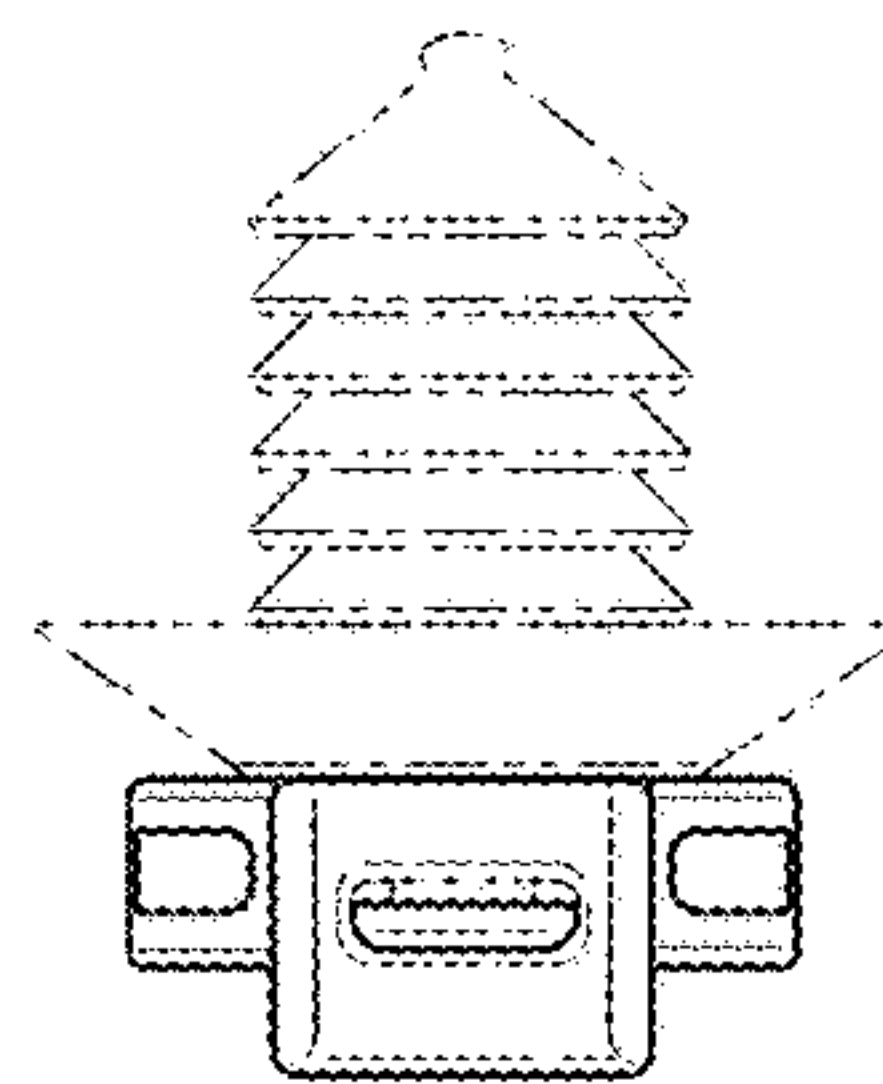
*Fig. 4*



*Fig. 5*



*Fig. 6*



*Fig. 7*