

US00D779312S

(12) **United States Design Patent** (10) **Patent No.:** **US D779,312 S**  
**Stanley** (45) **Date of Patent:** **\*\* Feb. 21, 2017**

- (54) **HANGING BRACKET**
- (71) Applicant: **IP Holdings, LLC**, Vancouver, WA (US)
- (72) Inventor: **John Stanley**, Vancouver, WA (US)
- (73) Assignee: **IP Holdings, LLC**, Vancouver, WA (US)
- (\*\*) Term: **15 Years**
- (21) Appl. No.: **29/572,371**
- (22) Filed: **Jul. 27, 2016**

- 5,045,985 A \* 9/1991 Russo ..... F21V 21/04 248/214
- D324,990 S \* 3/1992 Gary ..... D26/138
- D357,398 S \* 4/1995 Osbern ..... D8/349
- 6,332,597 B1 \* 12/2001 Korcz ..... H02G 3/125 220/3.9
- D476,217 S \* 6/2003 Shea ..... D8/354
- D481,303 S \* 10/2003 Fell ..... D26/138
- D483,249 S \* 12/2003 Klein ..... D8/373
- D488,837 S \* 4/2004 Dion ..... D20/43
- D494,051 S \* 8/2004 Klein ..... D8/373
- D494,454 S \* 8/2004 Klein ..... D8/373
- D541,636 S \* 5/2007 Walker ..... D8/373

(Continued)

**Related U.S. Application Data**

- (63) Continuation of application No. 29/533,943, filed on Jul. 23, 2015.
- (51) **LOC (10) Cl.** ..... **08-05**
- (52) **U.S. Cl.**  
USPC ..... **D8/373**; D26/138
- (58) **Field of Classification Search**  
USPC ..... D13/110, 107, 108, 123, 133, 135, 137, D13/138, 199; D26/60-66, 138-139, D26/26-28, 72, 74, 75, 76, 81, 82, 106, D26/109, 113, 118; 174/53, 54; 362/269, 362/274; D8/349, 354, 373, 377; D25/119-122  
CPC ..... H01R 25/14; H01R 25/142; H01R 25/00; F16J 1/16; H01L 27/14618; H01L 27/14601; H01L 27/14634; G06F 1/1637; E04C 2003/0408; E04C 2003/0421; E04C 2003/043; E04C 2003/0434; E04C 2003/0465  
See application file for complete search history.

**References Cited**

**U.S. PATENT DOCUMENTS**

- D290,931 S \* 7/1987 Powell ..... D8/371
- D301,632 S \* 6/1989 Lohrentz ..... D26/61
- D305,299 S \* 1/1990 Freeman ..... 248/214

**OTHER PUBLICATIONS**

Galaxy DE Commercial Horizontal Hanging Brackets, Sunlight Supply, <https://sunlightsupply.com/shop/bycategory/commercial-greenhouse-fixtures>, accessed May 6, 2016.

(Continued)

*Primary Examiner* — Eric Goodman  
*Assistant Examiner* — Christopher J Matthews  
(74) *Attorney, Agent, or Firm* — J. Douglas Wells

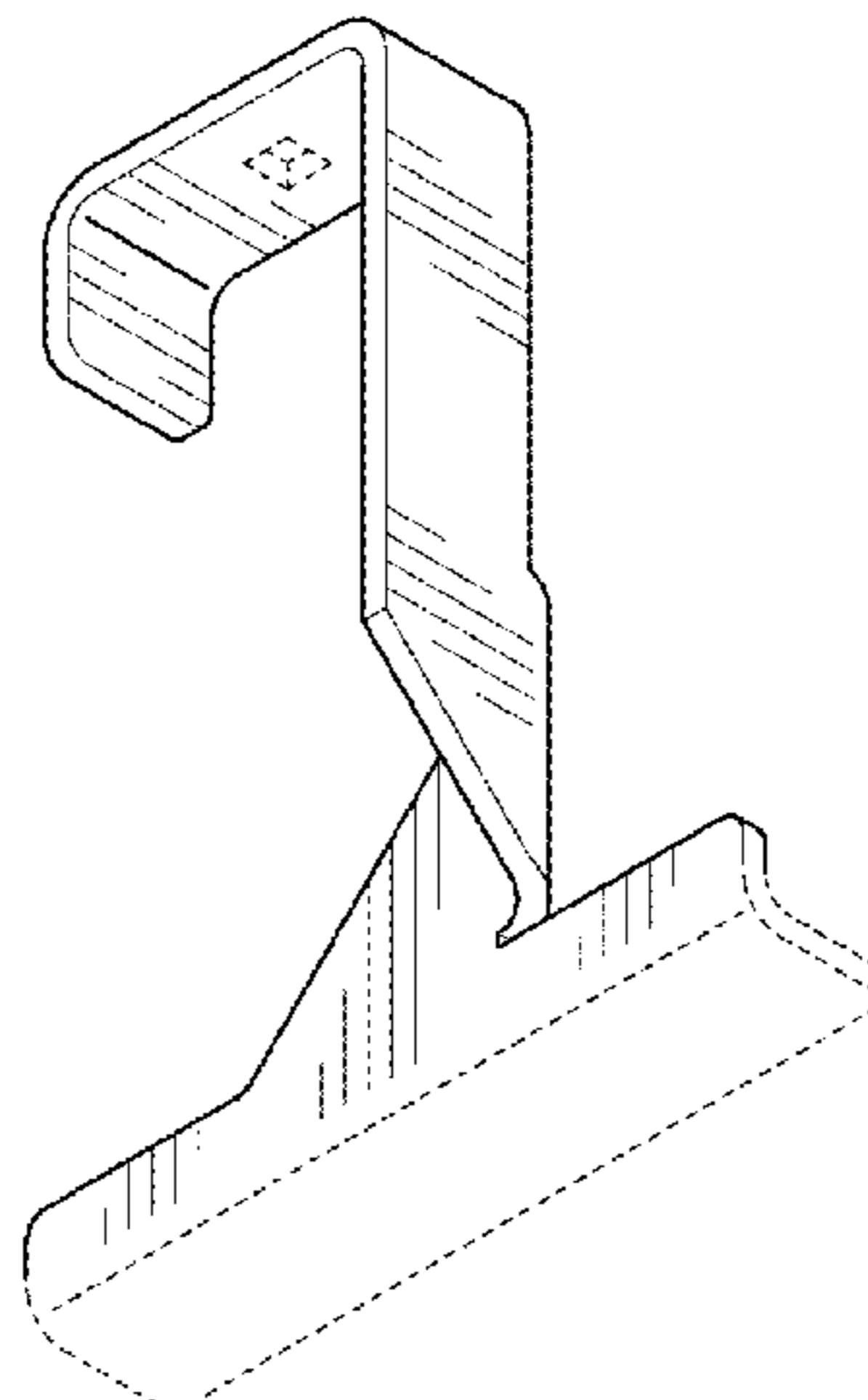
**CLAIM**

(57) The ornamental design for a hanging bracket, as shown and described.

**DESCRIPTION**

FIG. 1 is a perspective view of a hanging bracket, as viewed from below, showing my new design;  
FIG. 2 is a perspective view thereof, as viewed from above;  
FIG. 3 is a left side view thereof;  
FIG. 4 is a front elevation view thereof;  
FIG. 5 is a right side view thereof;  
FIG. 6 is a top plan view thereof;  
FIG. 7 is a bottom plan view thereof; and,  
FIG. 8 is a rear elevation view thereof.  
The broken-line disclosure shown in the views is understood to represent portions of the article in which the claimed design is embodied, but which form no part of the claimed design.

**1 Claim, 2 Drawing Sheets**



(56)

**References Cited**

U.S. PATENT DOCUMENTS

D549,083	S *	8/2007	Barnett	.....	D8/373
D636,928	S *	4/2011	Lin	.....	D26/138
D660,133	S *	5/2012	Yoder	.....	D8/354
D663,190	S *	7/2012	Mota	.....	D16/242
D678,043	S *	3/2013	Lu	.....	D8/373
9,010,696	B2 *	4/2015	Siddiqui	.....	F16L 3/24 174/481
D747,953	S *	1/2016	Thompson	.....	D8/349
2005/0243547	A1 *	11/2005	Cini	.....	F21S 8/037 362/219

OTHER PUBLICATIONS

Galaxy DE Commercial Vertical Hanging Bracket, Sunlight Supply, <https://sunlightsupply.com/shop/bycategory/commercial-greenhouse-fixtures>, accessed May 6, 2016.

Hydrofarm PHR DE-Hanging Ballast Short Wire Bracket, Miami Hydroponics, <https://miamihydro.com/hydrofarm-phr-de-hanging-ballast-short-wire-bracket.html>, accessed May 6, 2016.

LightRail Hanging Bracket for Grow Tents, Sunlight Supply, <https://sunlightsupply.com/shop/bycategory/light-movers-and-hangers>, accessed May 6, 2016.

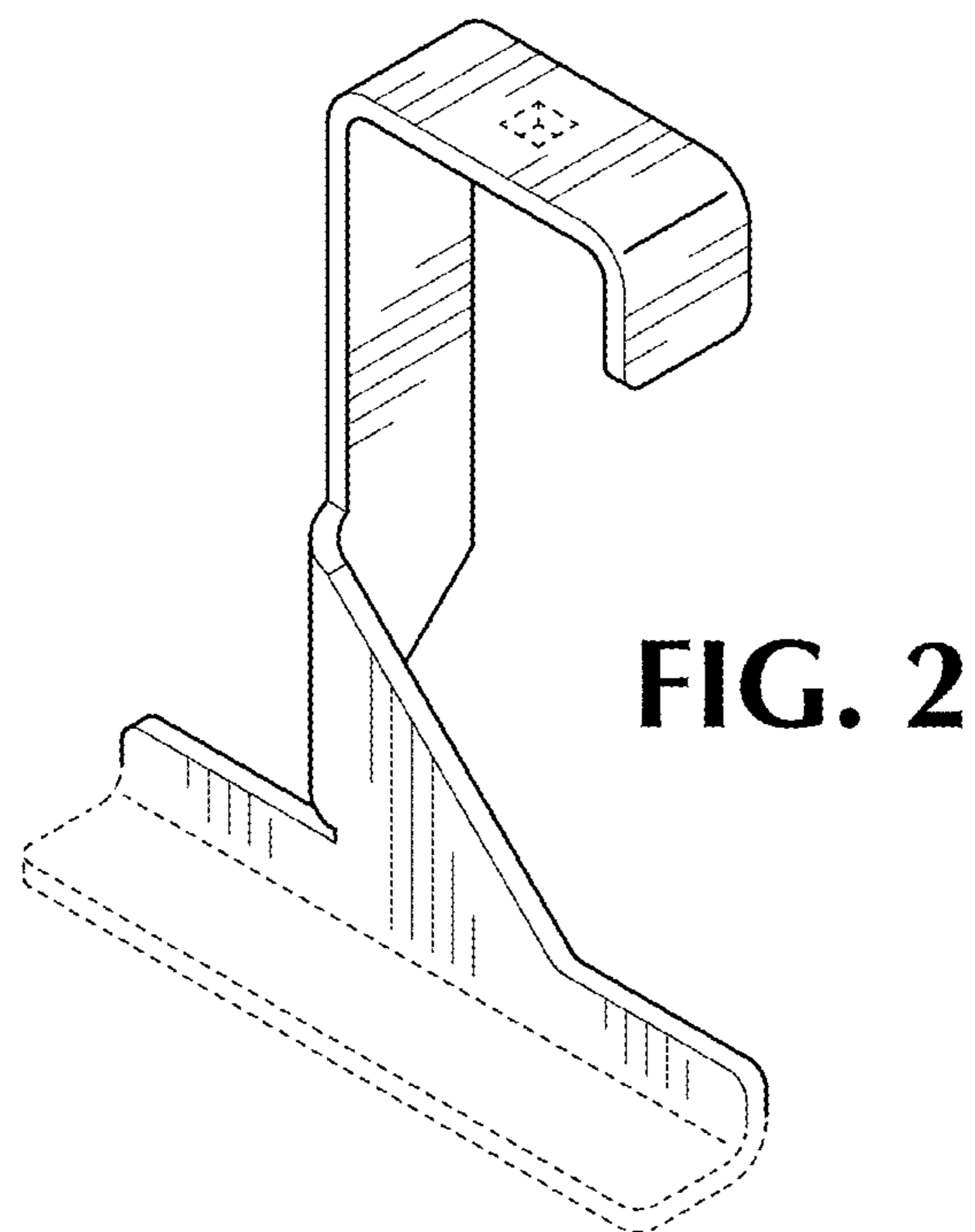
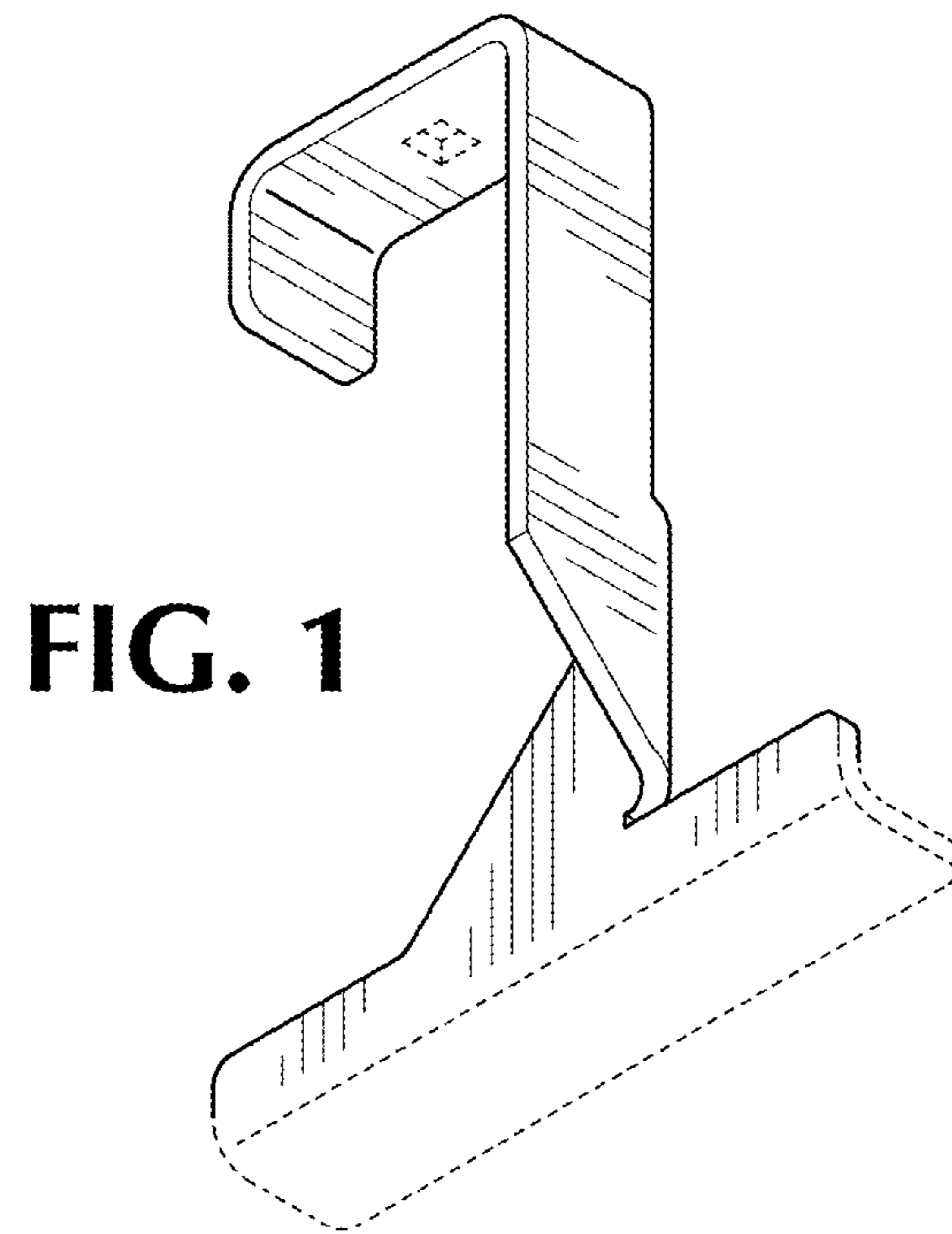
Compact Heavy-Duty HID Ballast Mounting Bracket Set, Onyx Lights, <https://www.onyxlights.com/accessories/compact-heavy-duty-hid-ballast-mounting-bracket-set>, accessed May 6, 2016.

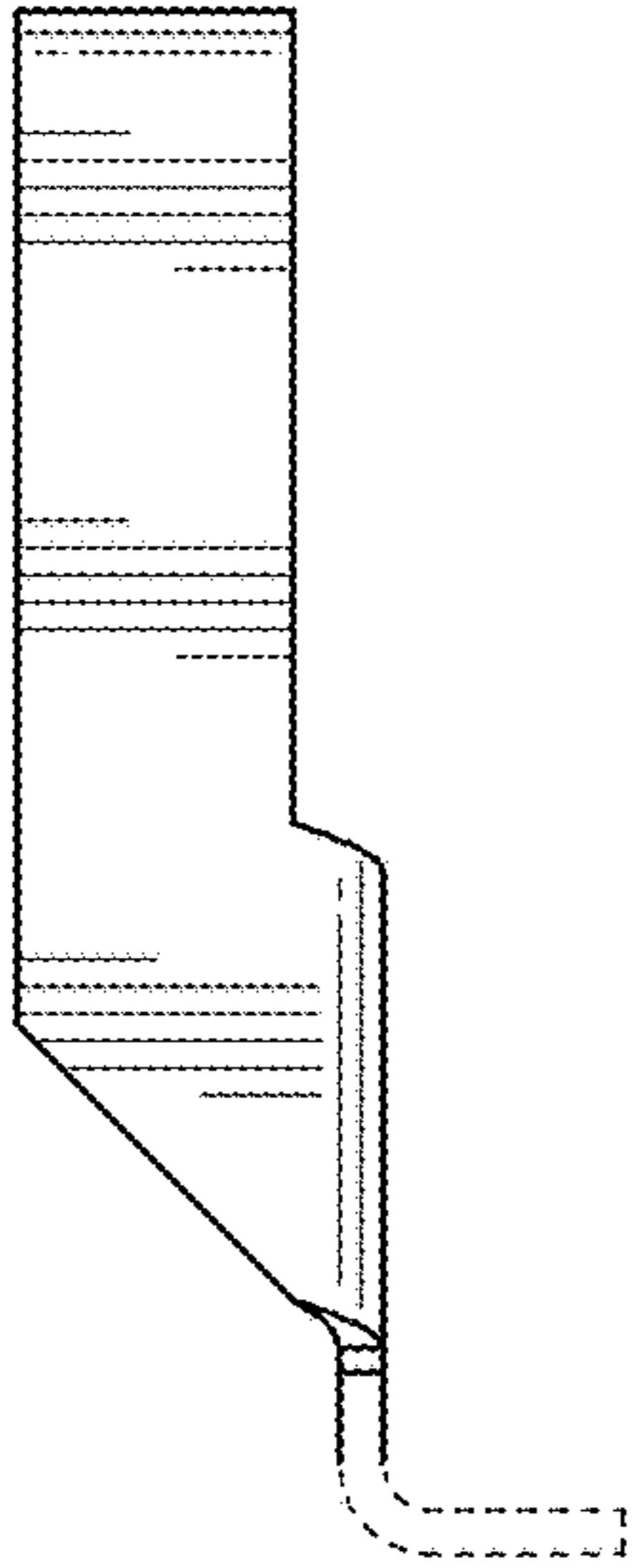
Sun System ProMag Commercial Fixture, Sunlight Supply, <https://sunlightsupply.com/shop/bycategory/commercial-greenhouse-fixtures>, accessed May 6, 2016.

Specifications, Sun System ProMag 1000 Watt Switchable Quint-Tap Commercial Fixture, updated May 13, 2015.

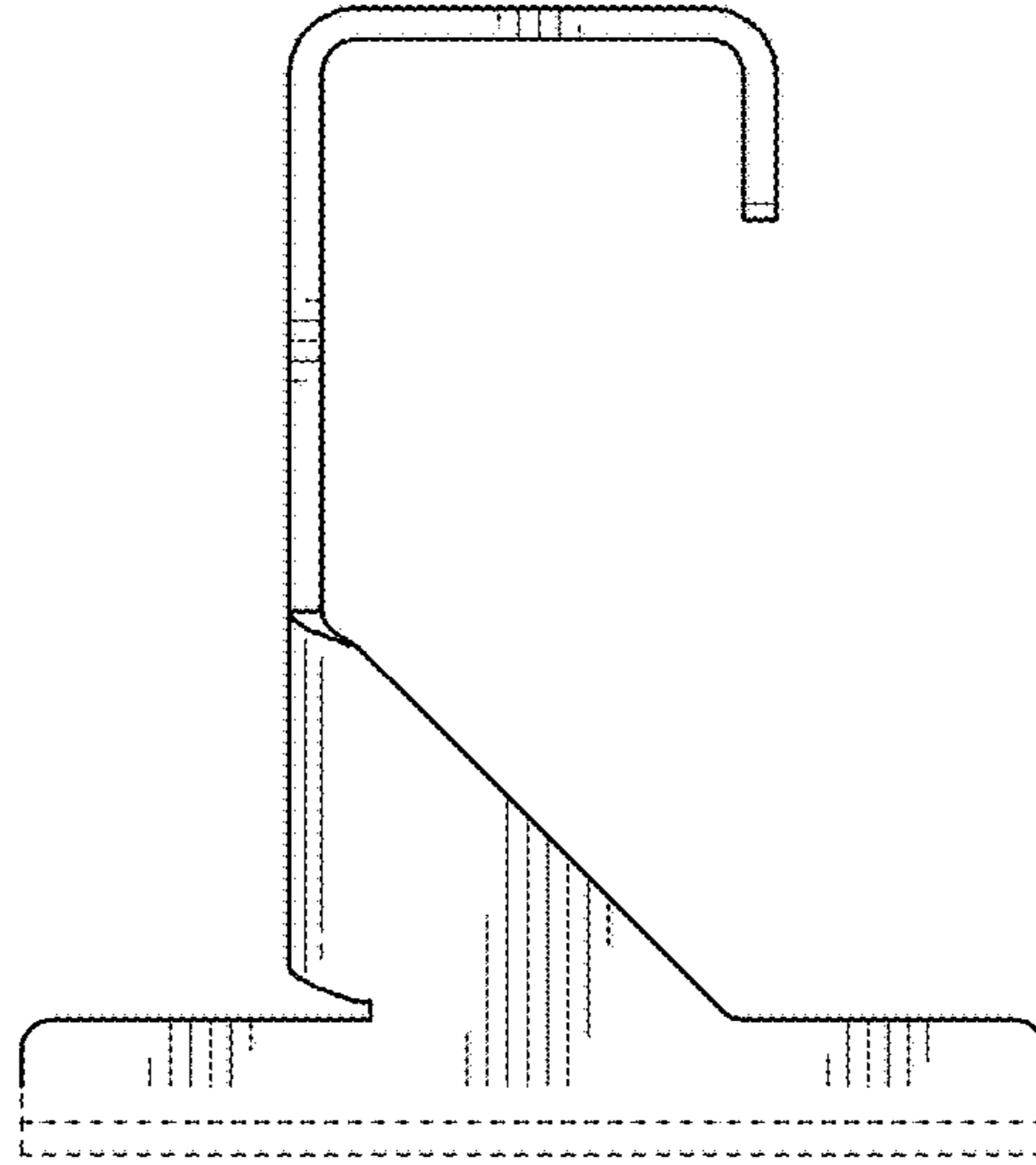
Sun System Universal Reflector Uni-Strut Brackets, Sunlight Supply, <https://sunlightsupply.com/shop/bycategory/light-movers-and-hangers>, accessed May 6, 2016.

\* cited by examiner

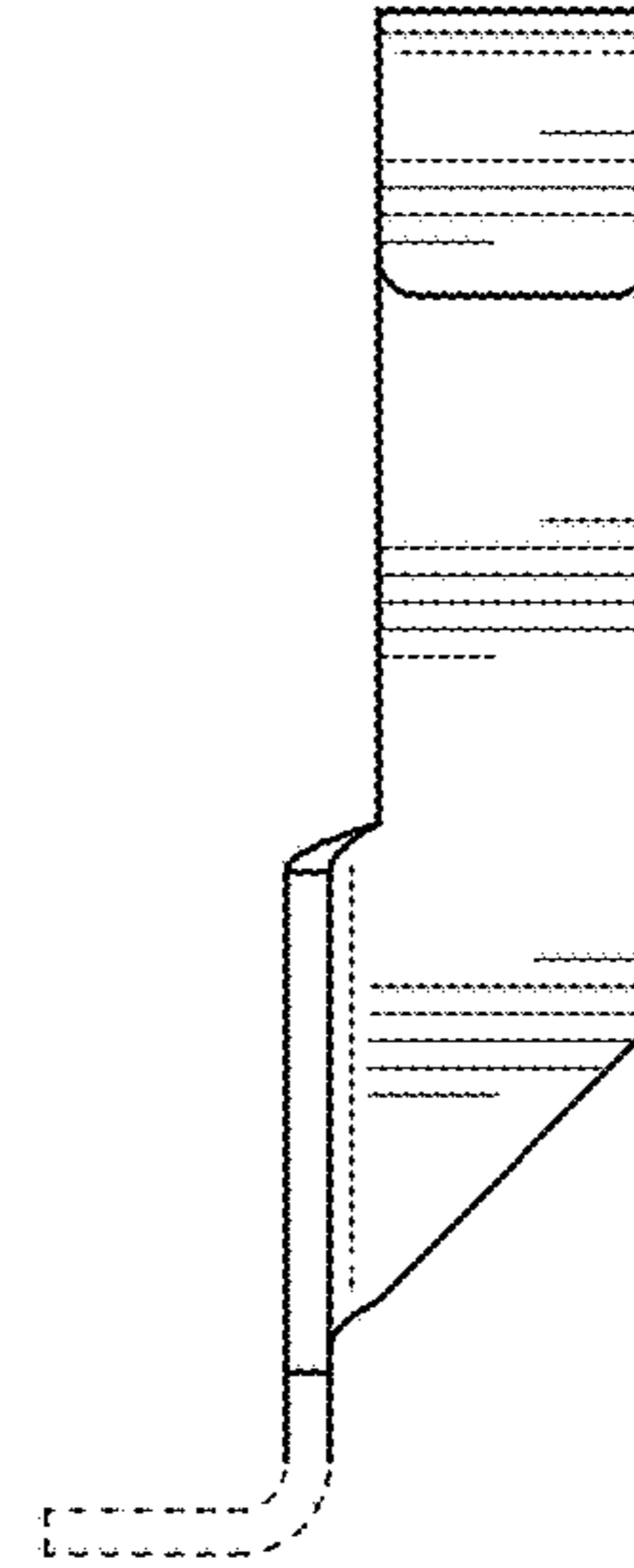




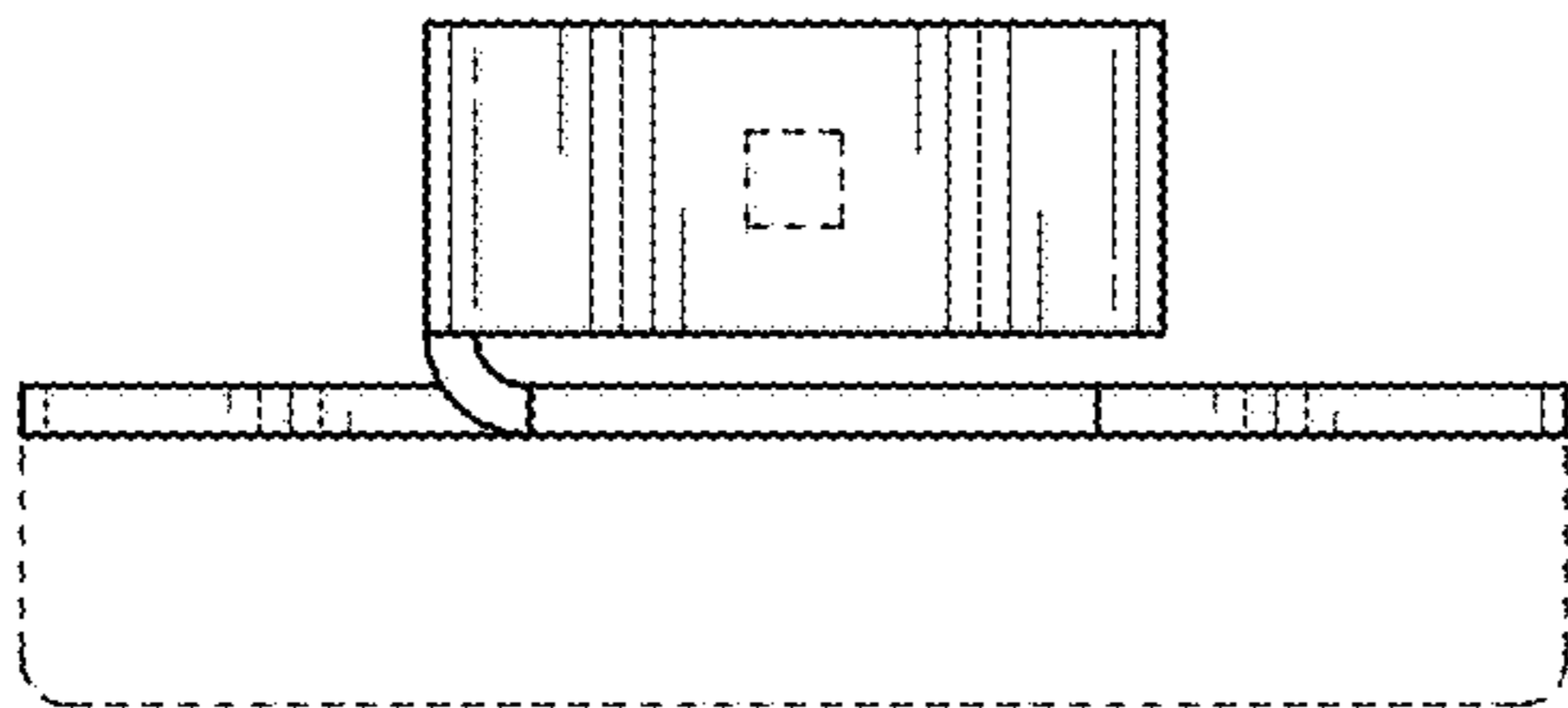
**FIG. 3**



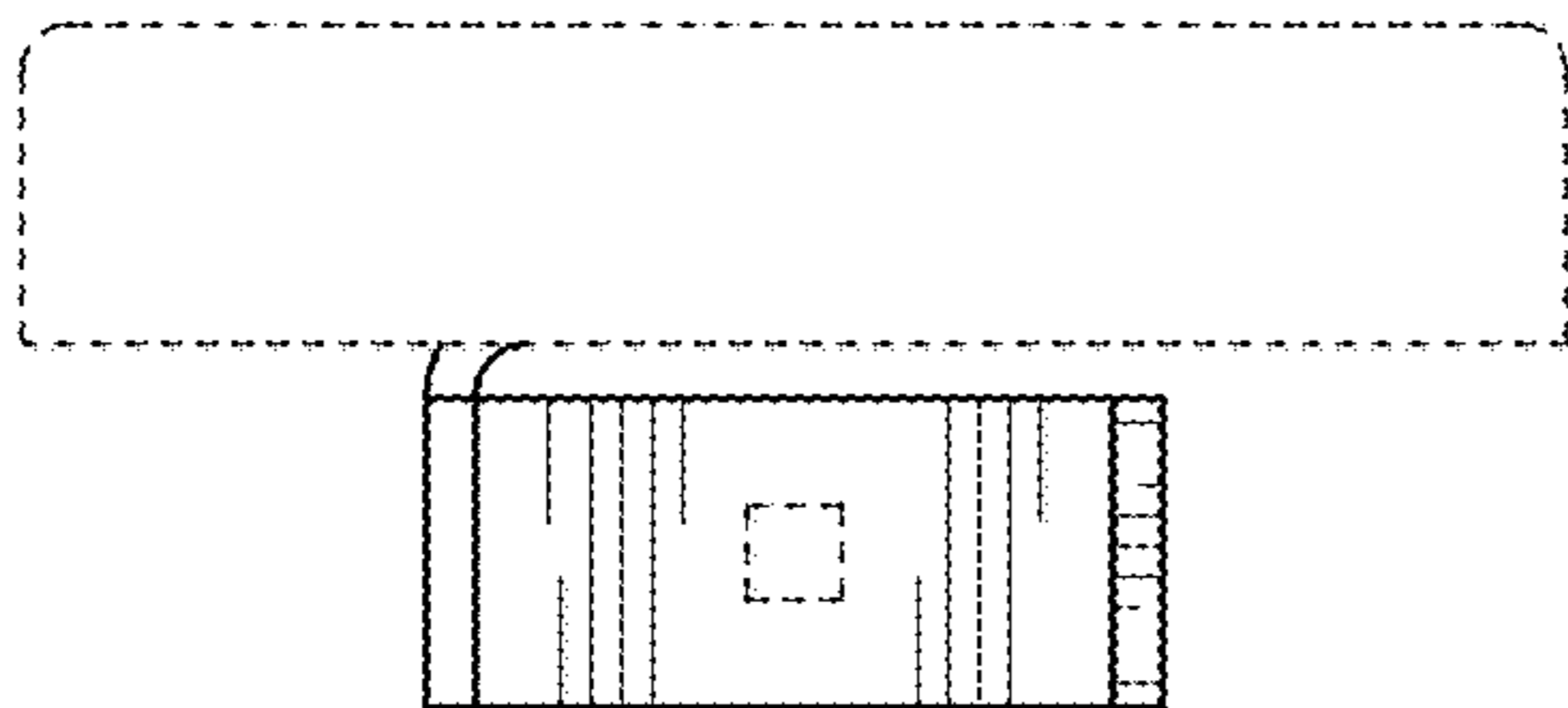
**FIG. 4**



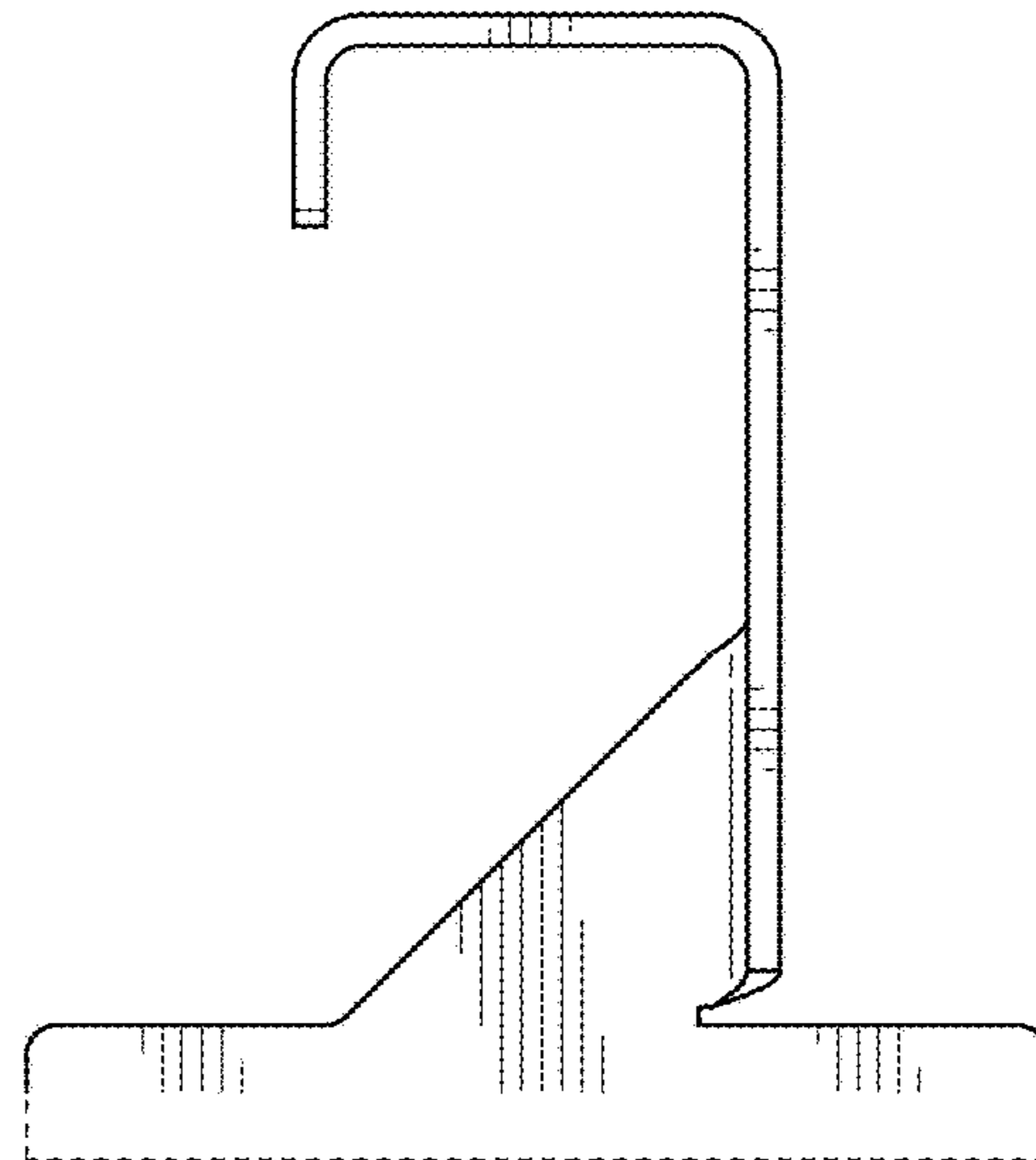
**FIG. 5**



**FIG. 6**



**FIG. 7**



**FIG. 8**