



US00D779311S

(12) **United States Design Patent**
Honein

(10) **Patent No.:** **US D779,311 S**

(45) **Date of Patent:** **** Feb. 21, 2017**

(54) **HANDRAIL BRACKET**

(71) Applicant: **Jad Honein**, Seattle, WA (US)

(72) Inventor: **Jad Honein**, Seattle, WA (US)

(**) Term: **15 Years**

(21) Appl. No.: **29/532,497**

(22) Filed: **Jul. 7, 2015**

(51) **LOC (10) Cl.** **08-05**

(52) **U.S. Cl.**
USPC **D8/363**

(58) **Field of Classification Search**
USPC D8/16, 19, 349, 354, 355, 363, 364,
D8/370-373, 376, 380, 381, 382,
D8/384-386; D6/553, 550, 323; D23/223,
D23/238, 252, 257; D11/208; D20/15, 41,
D20/42; D12/416; D25/38.1, 39, 43;
D3/324, 327, 512, 553, 554, 555
CPC E04F 11/1804; E04F 11/1836; A47K
2201/02; E04G 5/14; E04G
21/3233; E04G 5/145; E04G
21/3223; E04G 5/001; E04G 5/061; Y10S
16/90; Y10S 256/06; Y10T 16/50; Y10T
24/4447; Y10T 29/49826; B66B 23/04;
B66B 23/22; B66B 23/24; F21W 2111/08
See application file for complete search history.

(56) **References Cited**

U.S. PATENT DOCUMENTS

D216,458 S * 1/1970 Nestrock D25/43
D468,191 S * 1/2003 Burke D8/363
D469,004 S * 1/2003 Winig D8/381

D481,560 S * 11/2003 Vidmar D8/381
D587,022 S * 2/2009 Goodman D6/320
D646,957 S * 10/2011 Syed D8/363
D660,687 S * 5/2012 Fritz D8/363
D699,547 S * 2/2014 Syed D8/363
D744,321 S * 12/2015 Boynton D8/363
2015/0361671 A1 * 12/2015 Honein E04F 11/1804
248/217.4

* cited by examiner

Primary Examiner — Robert M Spear

Assistant Examiner — Eliza Bennett-Hattan

(74) *Attorney, Agent, or Firm* — Seed IP Law Group LLP

(57) **CLAIM**

The ornamental design for a handrail bracket, as shown and described.

DESCRIPTION

FIG. 1 is an isometric view of a handrail bracket of our new design.

FIG. 2 is another isometric view of a handrail bracket thereof.

FIG. 3 is a front elevational view thereof.

FIG. 4 is a right elevational view thereof.

FIG. 5 is a top plan view thereof.

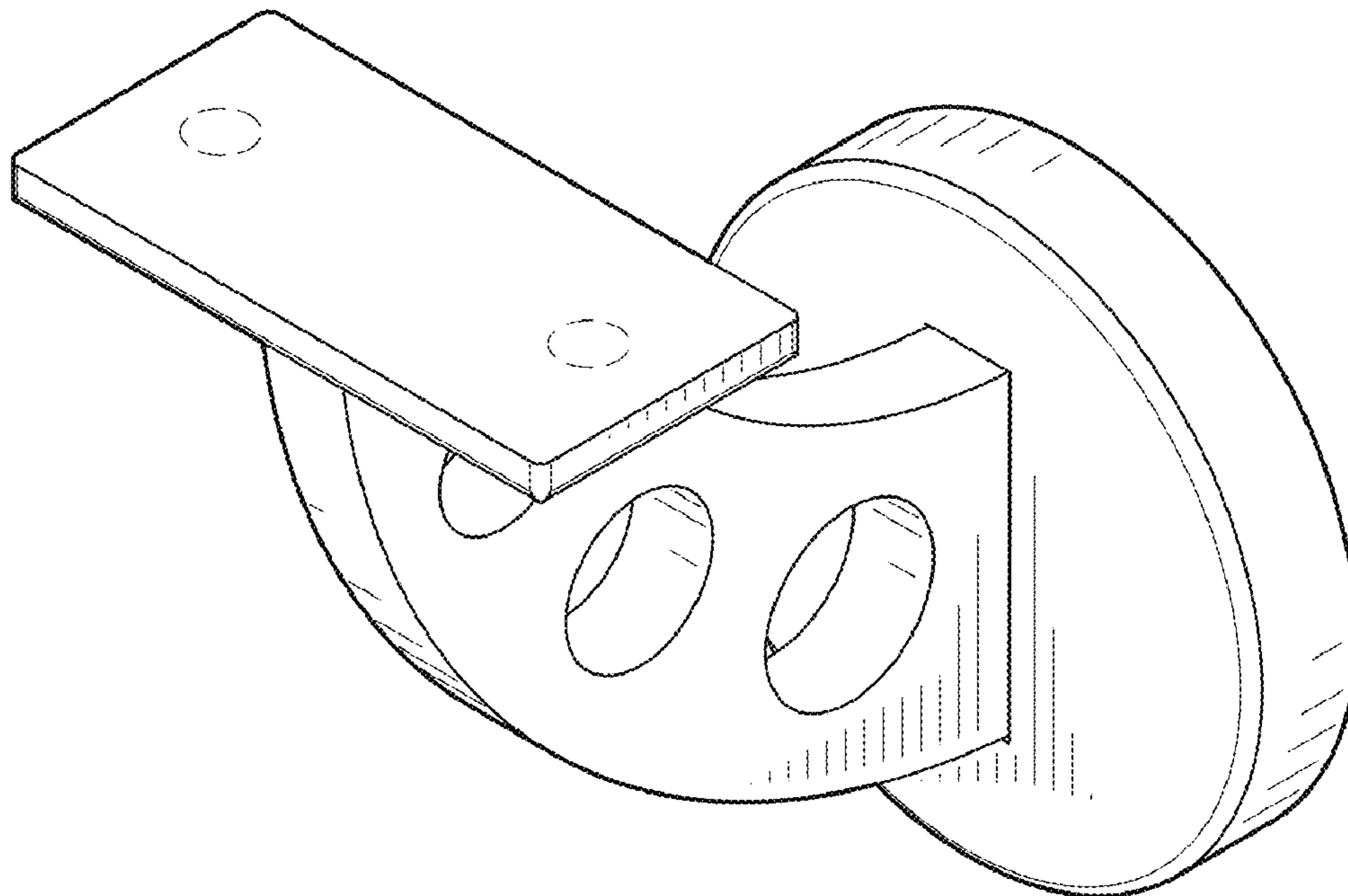
FIG. 6 is a left elevational view thereof.

FIG. 7 is a bottom plan view thereof; and,

FIG. 8 is a back elevational view thereof.

Shading lines shown in the drawings are intended to represent the three-dimensional contour of the design, and are not intended to indicate surface decoration. The broken lines in FIGS. 1, 2, 5, 7, and 8 depict environmental subject matter only and form no part of the claimed design. Unshaded surfaces form no part of the claim.

1 Claim, 8 Drawing Sheets



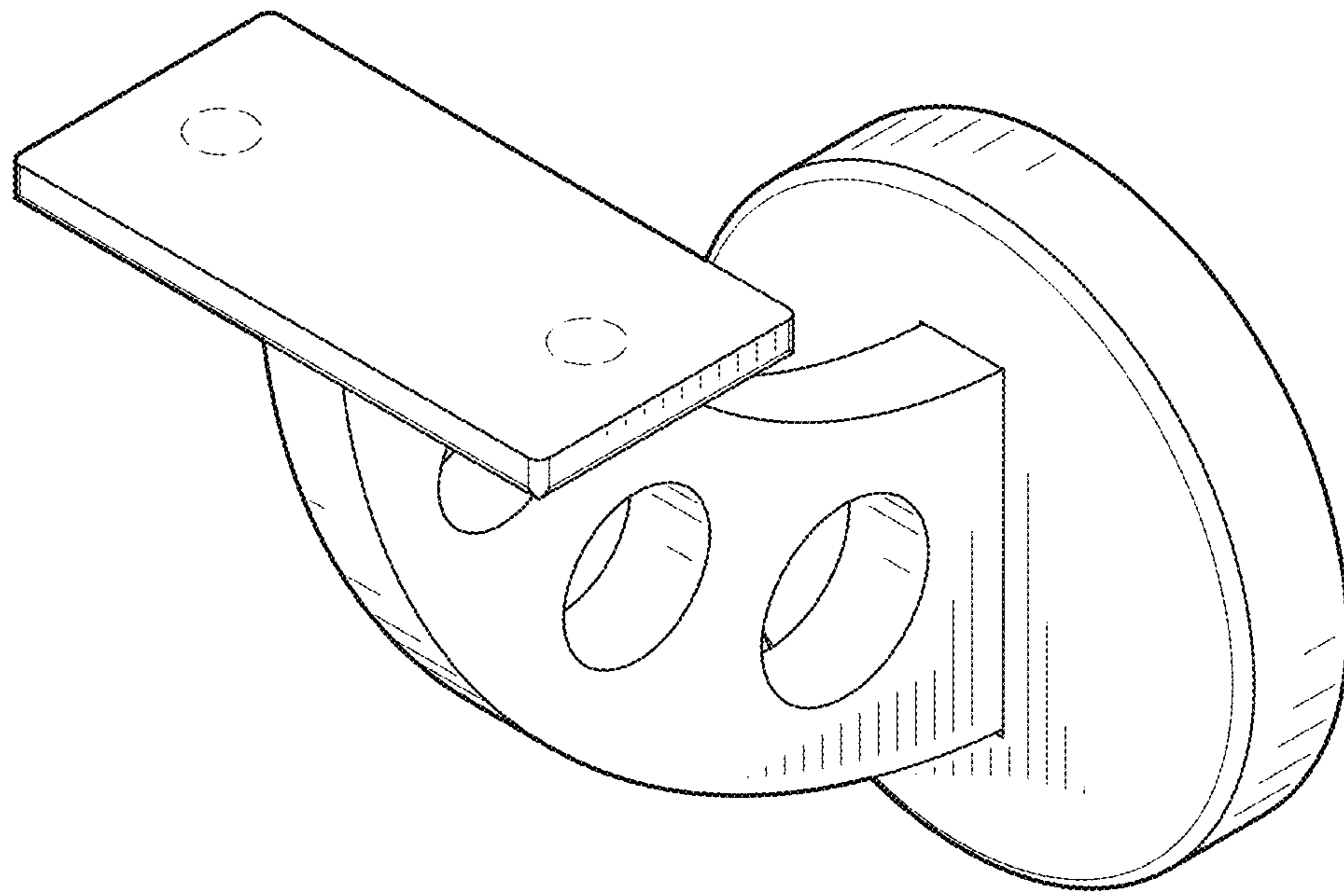


FIG.1

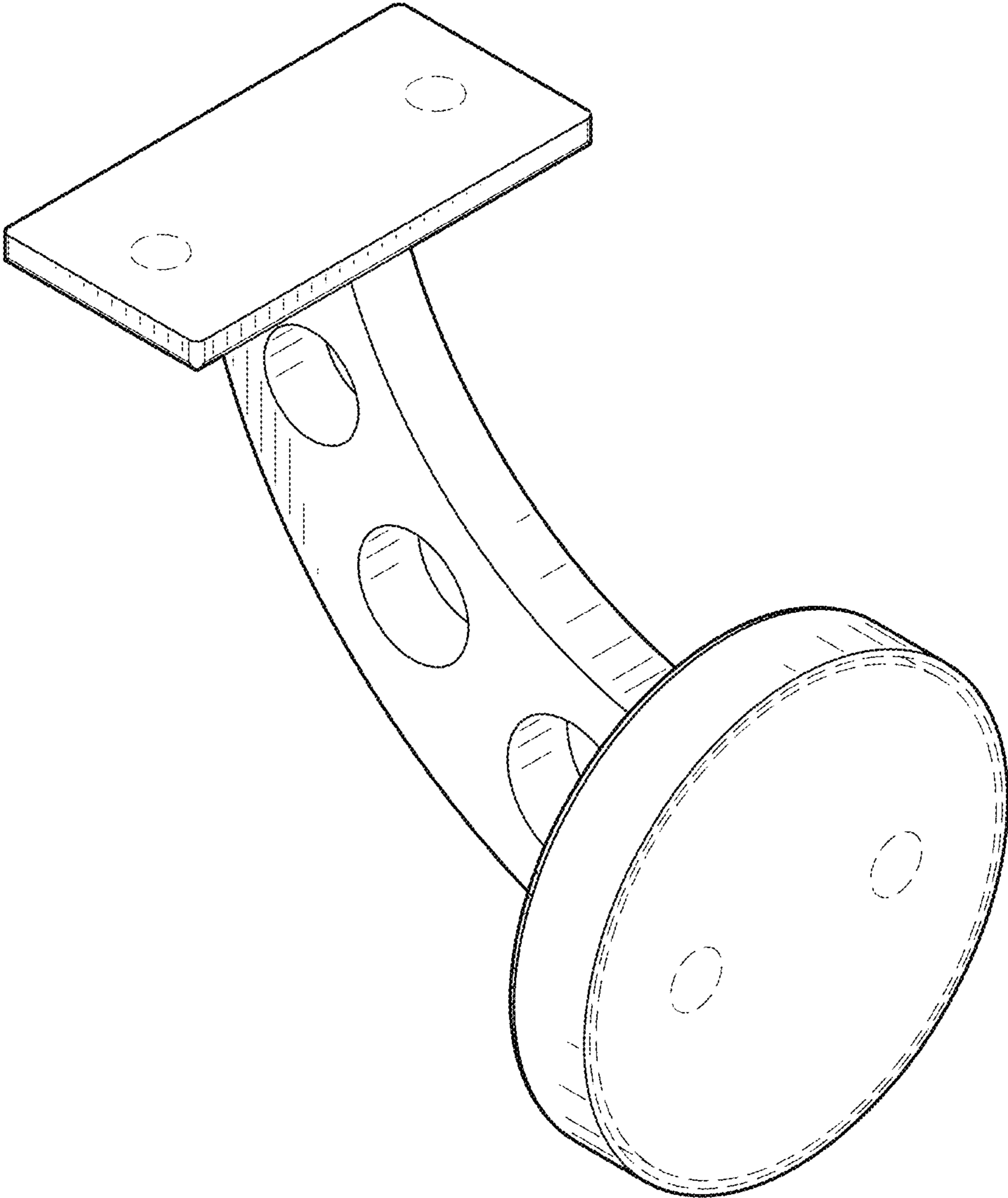


FIG.2

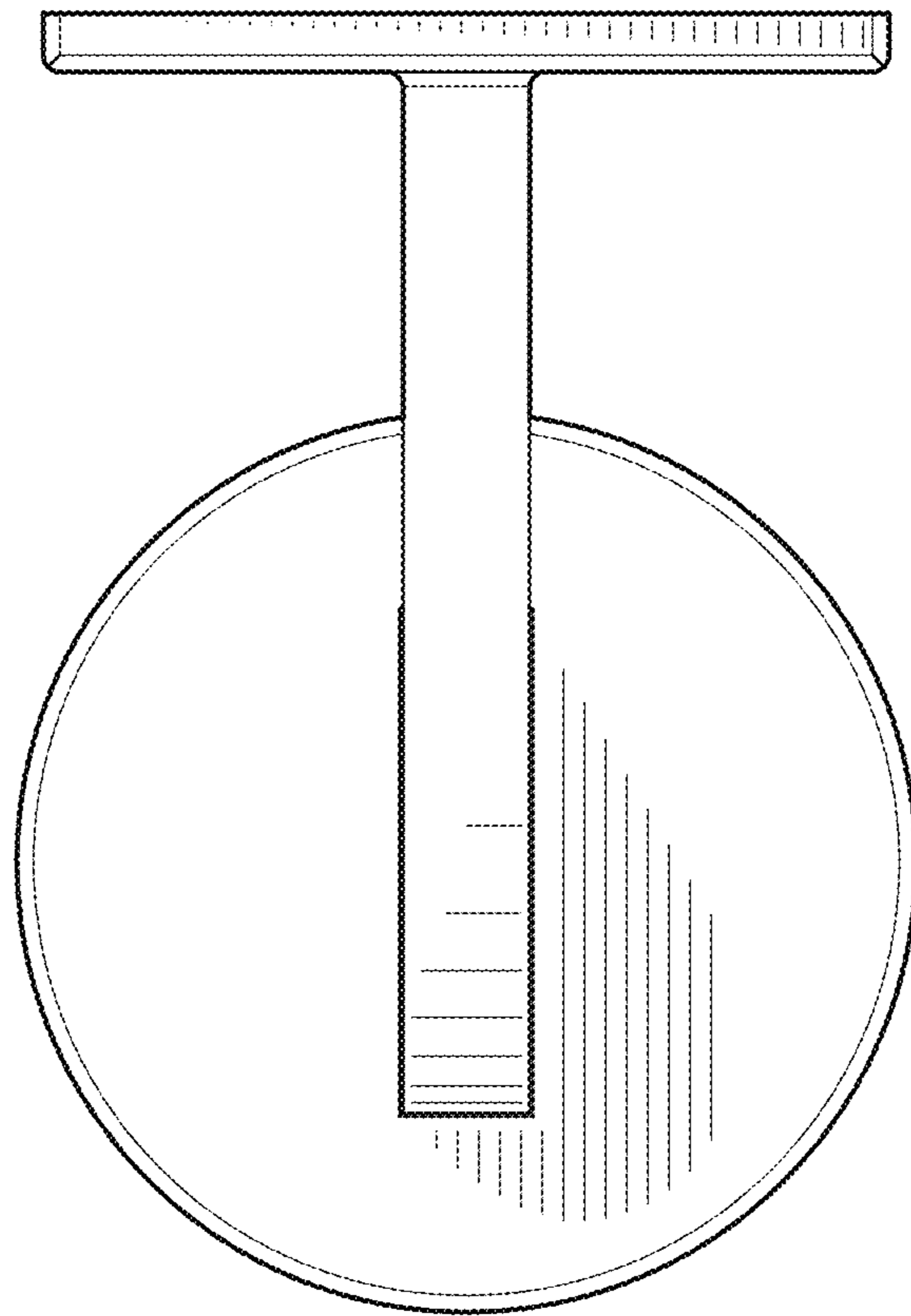


FIG.3

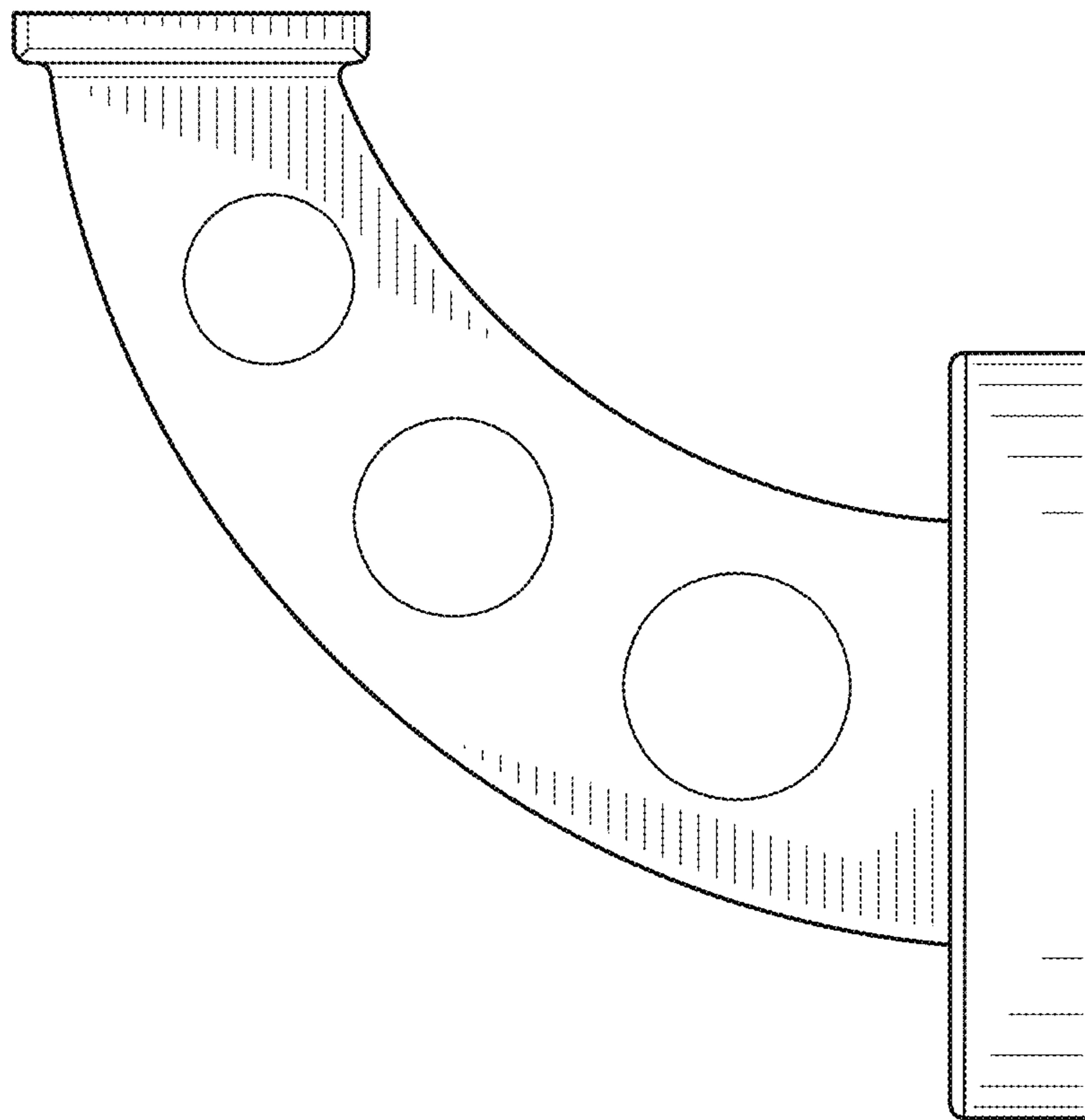


FIG.4

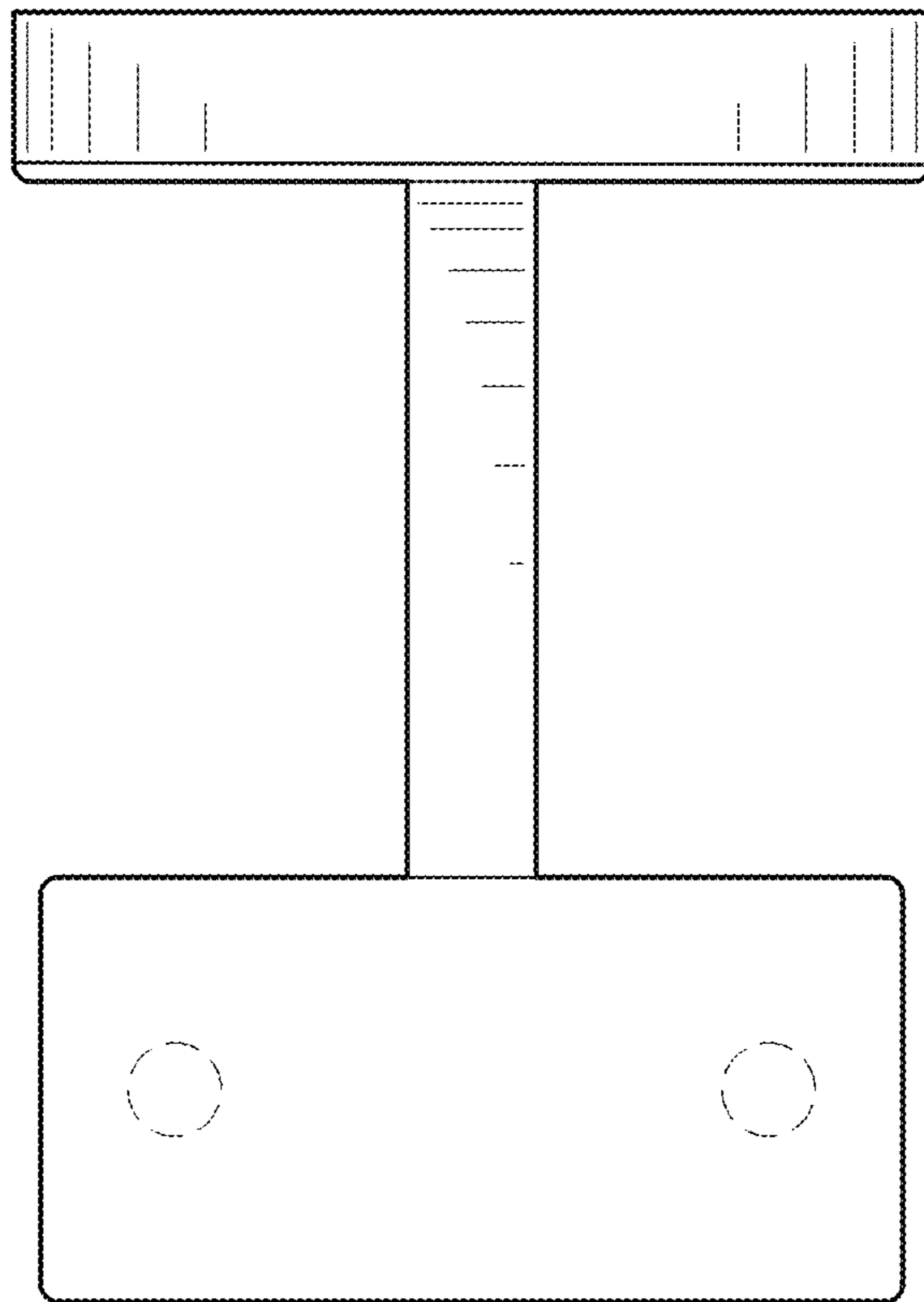


FIG.5

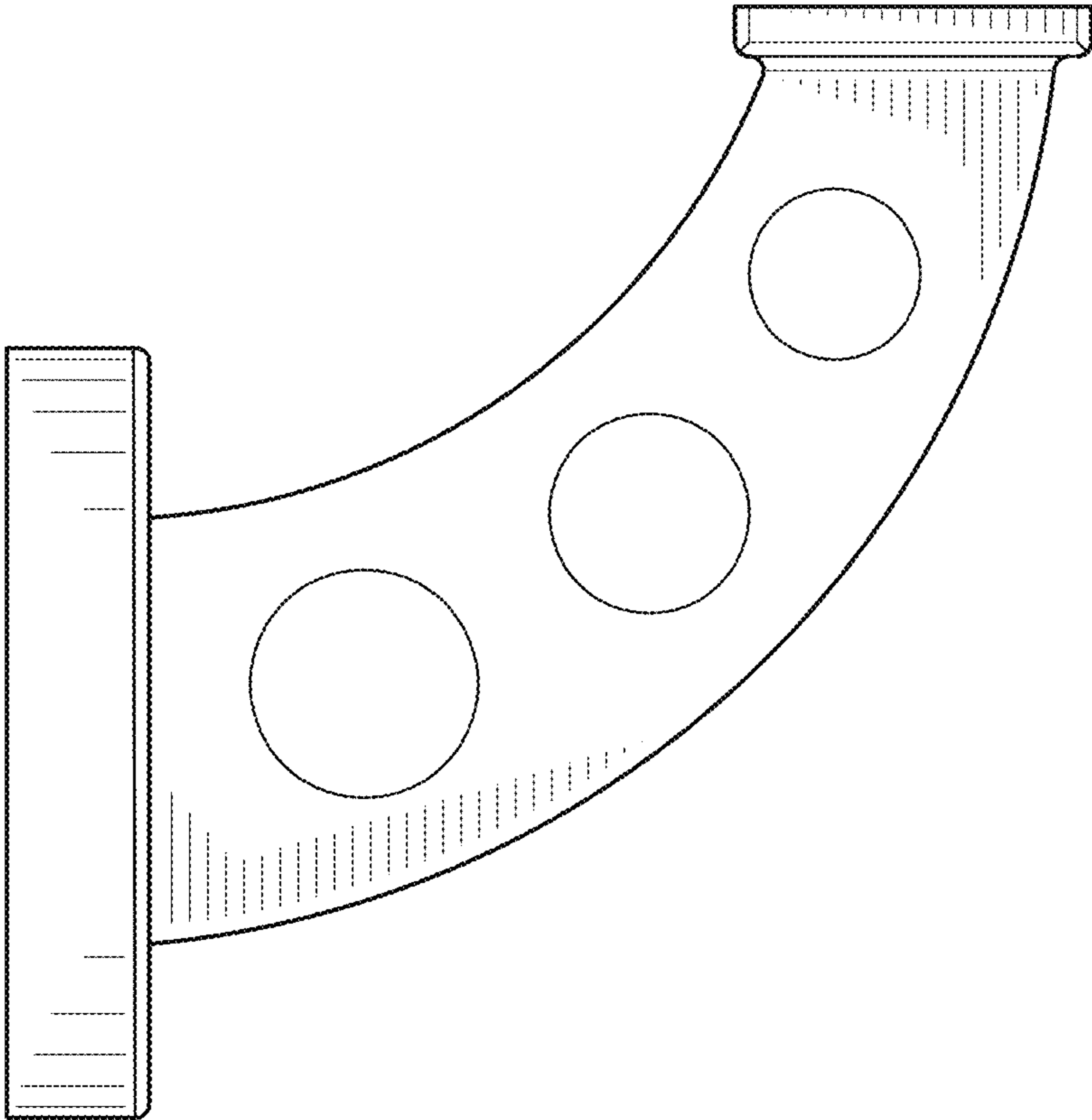


FIG.6

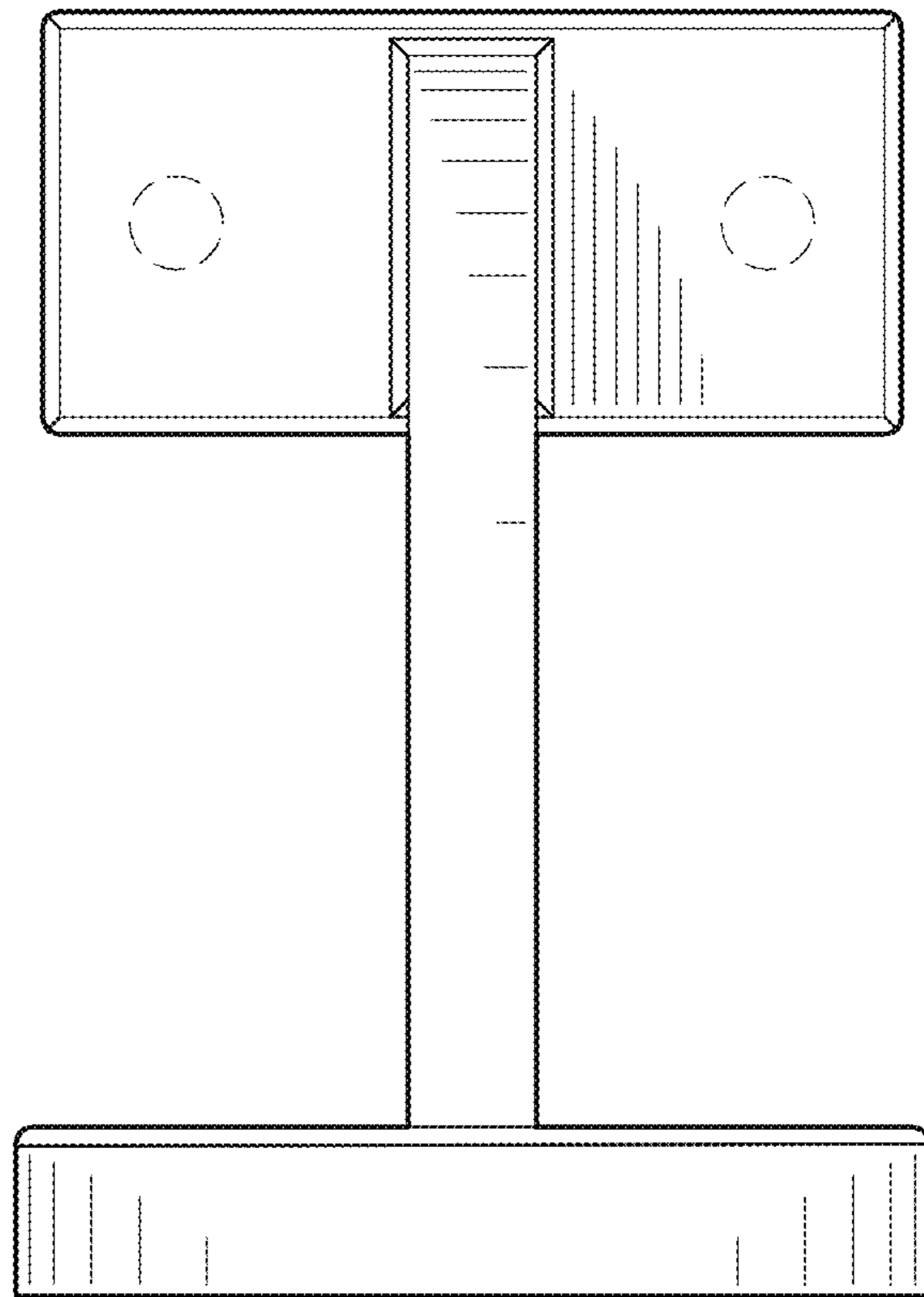


FIG.7

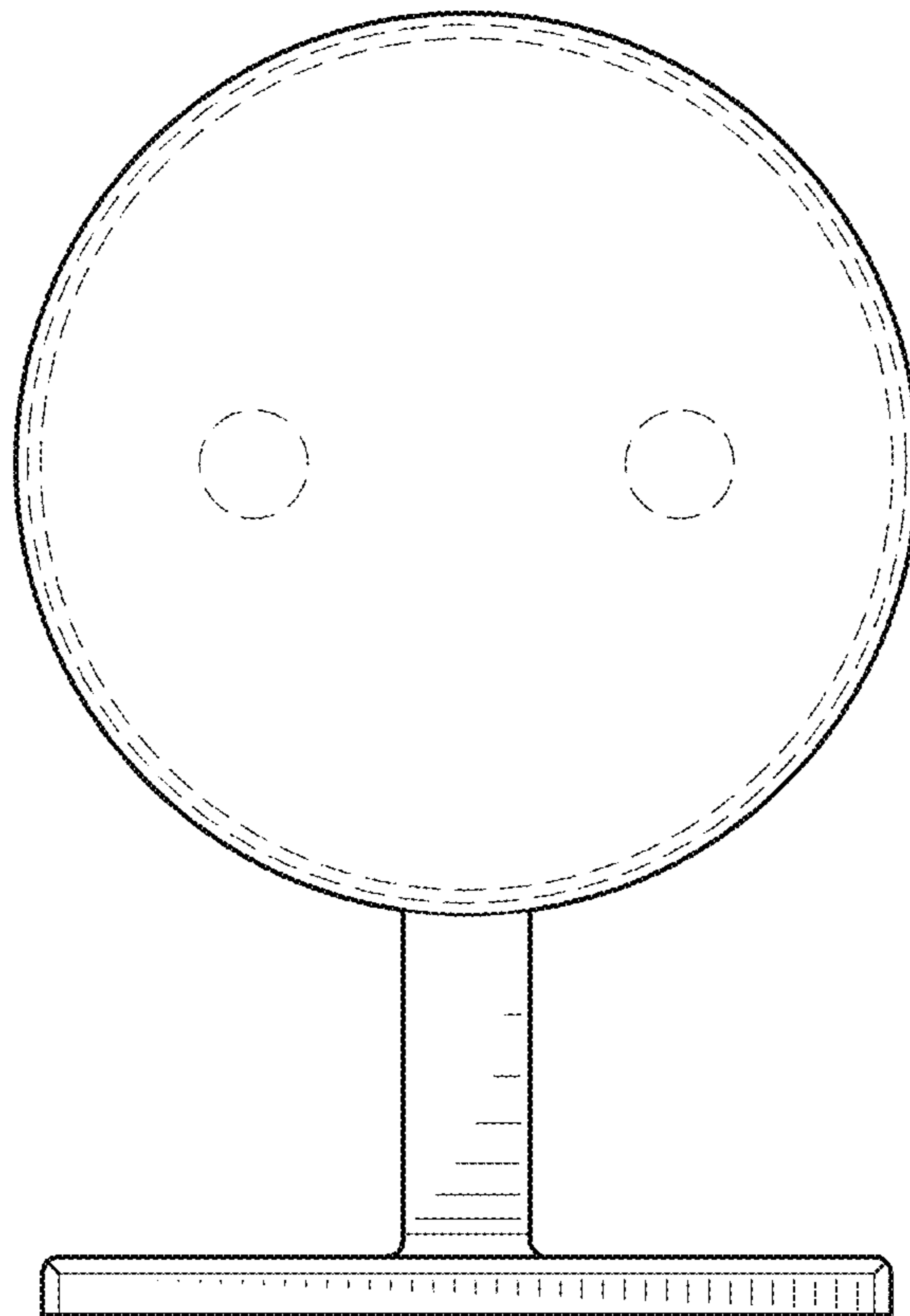


FIG.8