



US00D779310S

(12) **United States Design Patent** (10) **Patent No.:** **US D779,310 S**
Iler et al. (45) **Date of Patent:** **** Feb. 21, 2017**

(54) **REBAR CHAIR**

(71) Applicants: **Marvin W Iler**, Milaca, MN (US);
James E Erdahl, Elk River, MN (US)

(72) Inventors: **Marvin W Iler**, Milaca, MN (US);
James E Erdahl, Elk River, MN (US)

(**) Term: **15 Years**

(21) Appl. No.: **29/552,190**

(22) Filed: **Jan. 20, 2016**

(51) **LOC (10) Cl.** **08-05**

(52) **U.S. Cl.**
USPC **D8/354**

(58) **Field of Classification Search**
USPC D8/354, 371, 373
CPC E04C 5/20; B23P 11/00
See application file for complete search history.

(56) **References Cited**

U.S. PATENT DOCUMENTS

D443,197 S *	6/2001	Padrun	D8/354
D444,244 S *	6/2001	McPherson	D25/199
D447,931 S *	9/2001	Aitken	D8/354
D454,776 S *	3/2002	Padrun	D8/354
D482,262 S *	11/2003	Sorkin	D8/354
D483,246 S *	12/2003	McPherson	D8/354
D597,402 S *	8/2009	Garza	D8/354
D725,460 S *	3/2015	Parham	D8/380

2004/0031228 A1 *	2/2004	Hardy, Jr.	E01C 11/18 52/687
2007/0295872 A1 *	12/2007	Schulze	E04C 5/168 248/215
2010/0162654 A1 *	7/2010	Ferro De La Cruz ..	E04C 5/203 52/678	
2011/0214382 A1 *	9/2011	Alfonso	E04C 5/168 52/687
2015/0204076 A1 *	7/2015	Iler	E04C 5/205 52/677

* cited by examiner

Primary Examiner — Caron D Veynar

Assistant Examiner — Alison Ofstun

(74) *Attorney, Agent, or Firm* — Geiser Law, PLLC; Greg N. Geiser

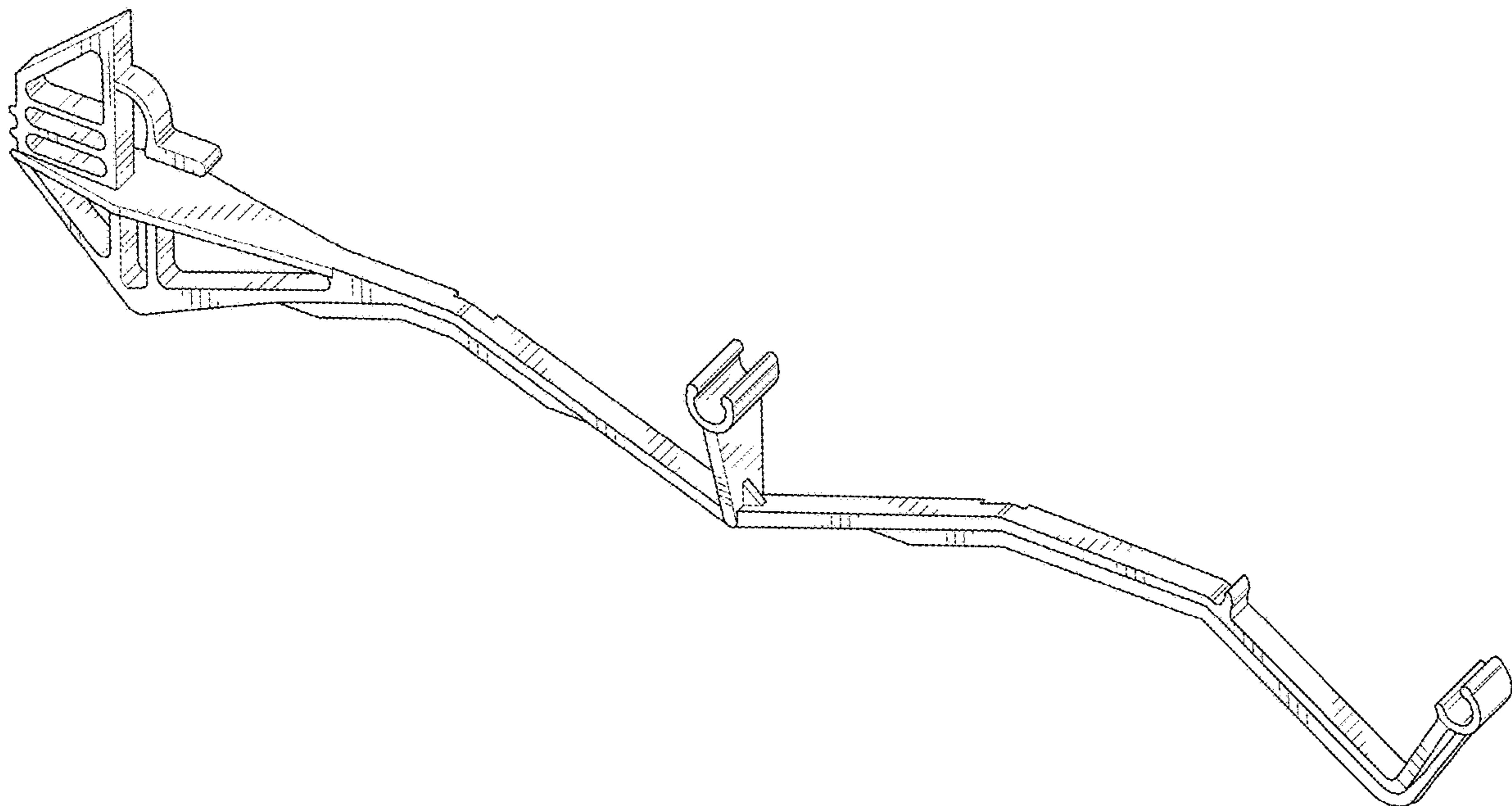
(57) **CLAIM**

The ornamental design for a rebar chair, as shown and described.

DESCRIPTION

FIG. 1 is a perspective view of a rebar chair showing my new design;
FIG. 2 is a right side view thereof;
FIG. 3 is a left side view thereof;
FIG. 4 is a bottom side view thereof;
FIG. 5 is a top side view thereof;
FIG. 6 is a front side view thereof; and,
FIG. 7 is a rear side view thereof.

1 Claim, 4 Drawing Sheets



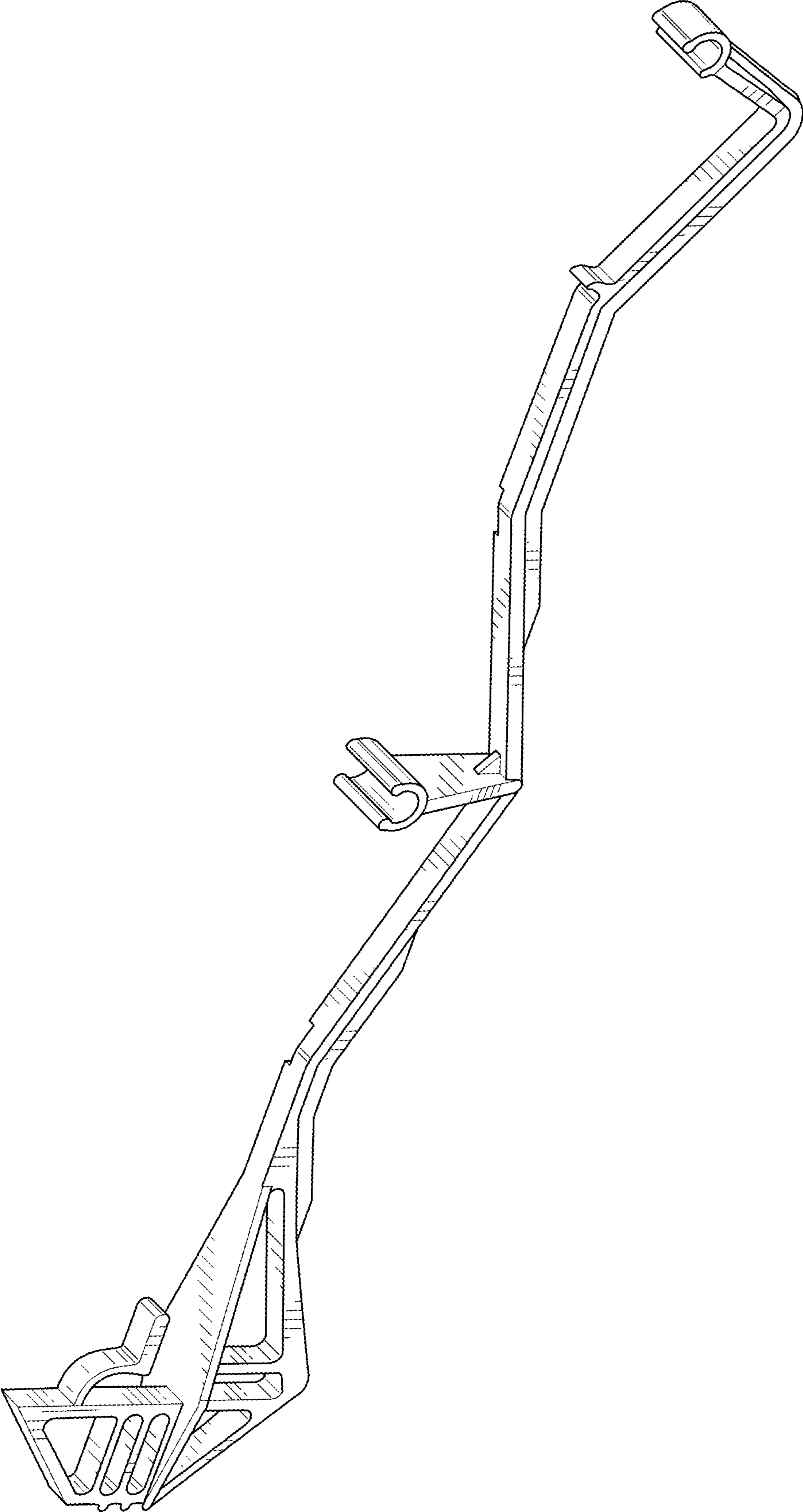


FIG. 1

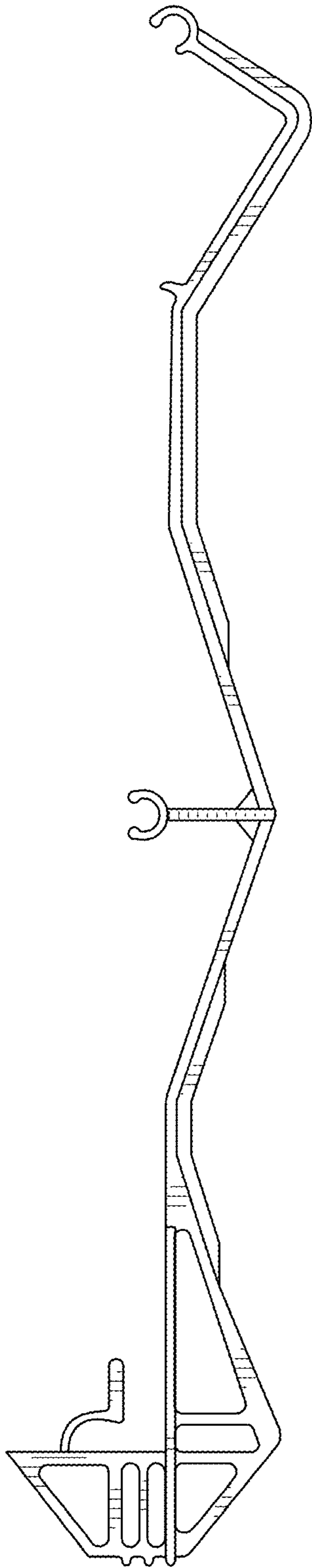


FIG. 2

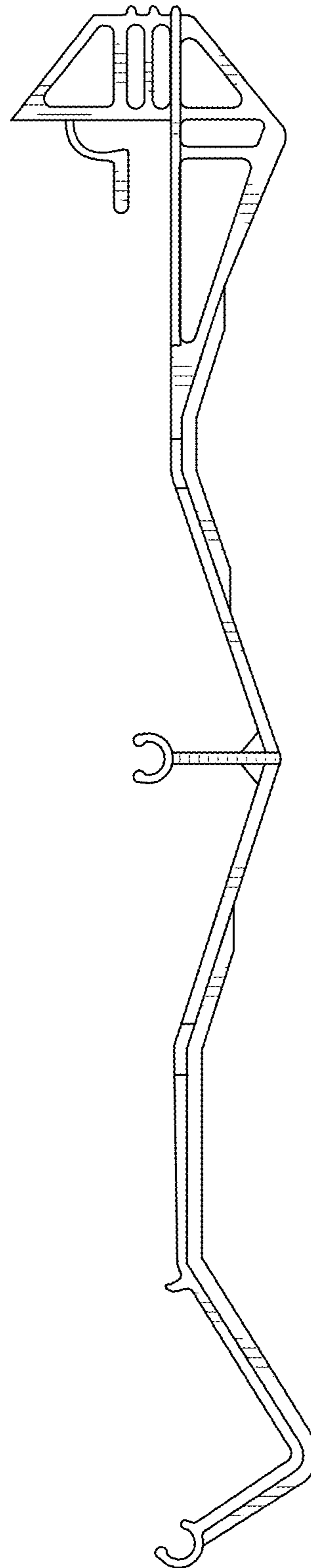


FIG. 3

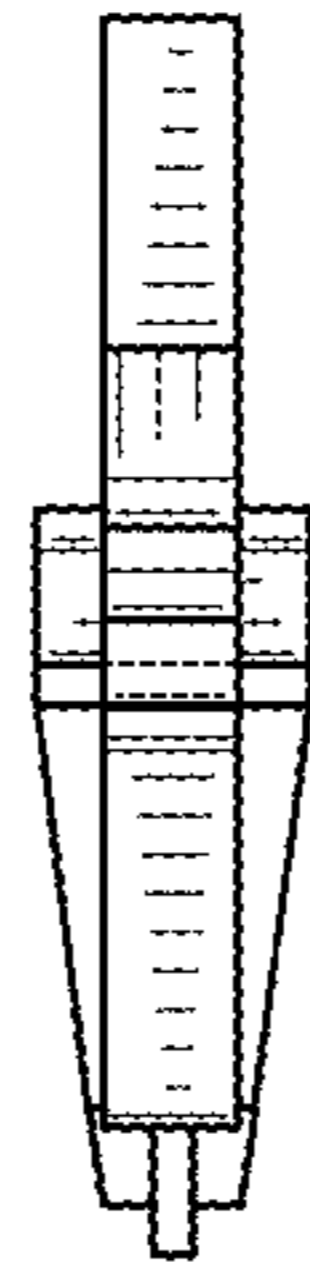


FIG. 4

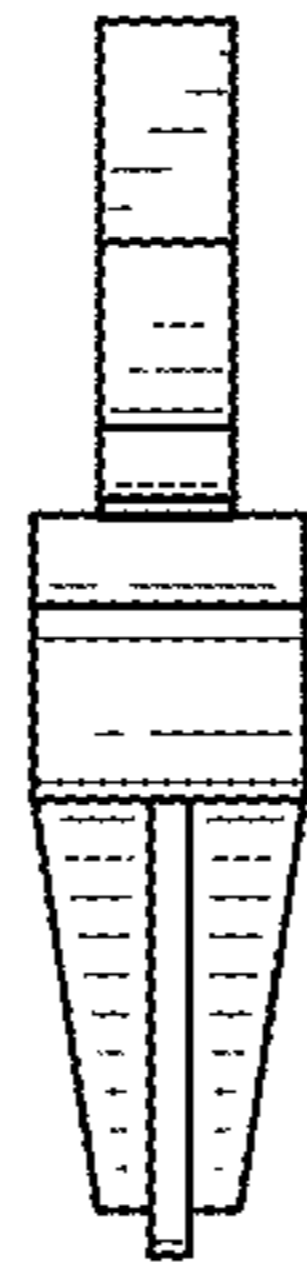


FIG. 5

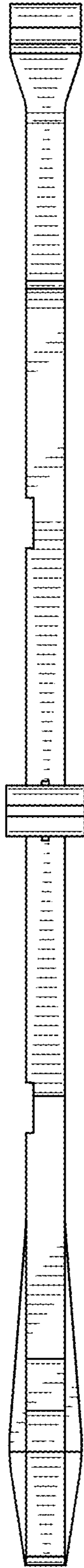


FIG. 6

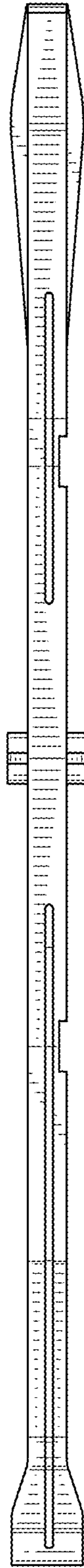


FIG. 7