



US00D779308S

(12) **United States Design Patent** (10) **Patent No.:** **US D779,308 S**
West et al. (45) **Date of Patent:** **** Feb. 21, 2017**

(54) **LEVELING FOOT**
(71) Applicant: **SolarCity Corporation**, San Mateo, CA (US)
(72) Inventors: **Jack Raymond West**, San Rafael, CA (US); **Tyrus Hawkes Hudson**, San Rafael, CA (US); **Emil Johansen**, San Rafael, CA (US)
(73) Assignee: **SolarCity Corporation**, San Mateo, CA (US)
(**) Term: **14 Years**

D554,042 S * 10/2007 Richter D12/415
D649,434 S * 11/2011 Lalancette D8/354
D652,952 S * 1/2012 Angel D25/113
D759,464 S * 6/2016 West D8/349
D761,645 S * 7/2016 Kim D8/354
2007/0262213 A1* 11/2007 de Toledo A47L 15/4253
248/188.8
2009/0032100 A1 2/2009 Oak
2009/0050191 A1 2/2009 Young et al.
2009/0293941 A1 12/2009 Luch
2012/0073218 A1* 3/2012 Zlata E04F 15/02452
52/126.6
2013/0313386 A1* 11/2013 Adams F24C 15/086
248/188.4
2014/0175244 A1* 6/2014 West F24J 2/5205
248/316.7

(21) Appl. No.: **29/525,417**
(22) Filed: **Apr. 29, 2015**

Related U.S. Application Data

(63) Continuation of application No. 14/106,153, filed on Dec. 13, 2013, which is a continuation-in-part of application No. 13/325,054, filed on Dec. 13, 2011, now abandoned.
(51) **LOC (10) Cl.** **08-08**
(52) **U.S. Cl.**
USPC **D8/349**
(58) **Field of Classification Search**
USPC D8/349, 330, 354, 355, 373; 248/188.2, 248/188.4, 188.5, 188.8
CPC B23P 11/00; F24J 2/52; F24J 2/5249; F24J 2/5205; F16B 2/065; E04B 1/00; E04B 1/38; H02S 20/24; H02S 20/23
See application file for complete search history.

(56) **References Cited**

U.S. PATENT DOCUMENTS

D435,433 S * 12/2000 Miller D8/354
D479,339 S * 9/2003 McDonald D25/68

(Continued)

Primary Examiner — Robin V Webster
Assistant Examiner — James Thorn, Jr.
(74) *Attorney, Agent, or Firm* — Sterne, Kessler, Goldstein & Fox P.L.L.C.

(57) **CLAIM**

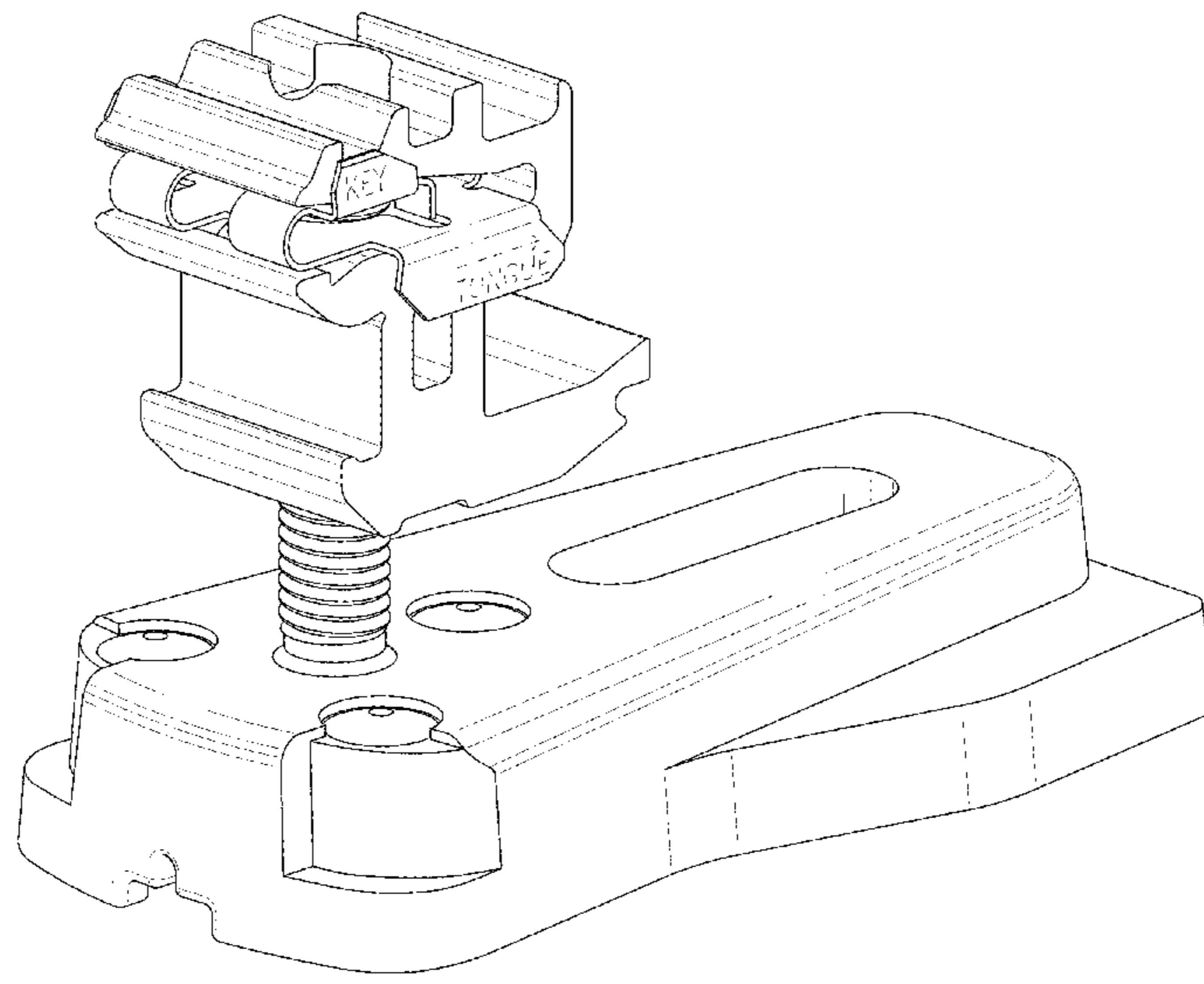
The ornamental design for a leveling foot, as shown and described.

DESCRIPTION

FIG. 1 is a top front perspective view of a leveling foot showing our new design;
FIG. 2 is a bottom front perspective view thereof;
FIG. 3 is a right side view thereof;
FIG. 4 is a left side view thereof;
FIG. 5 is a front view thereof;
FIG. 6 is a rear view thereof;
FIG. 7 is a top view thereof; and,
FIG. 8 is a bottom view thereof.

The broken lines in the figures show portions of the leveling foot that form no part of the claimed design.

1 Claim, 8 Drawing Sheets



(56)

References Cited

U.S. PATENT DOCUMENTS

2015/0280639 A1* 10/2015 Atchley H02S 20/23
248/237
2016/0282016 A1* 9/2016 Ash F24J 2/46
2016/0308487 A1* 10/2016 Molina H02S 20/23

* cited by examiner

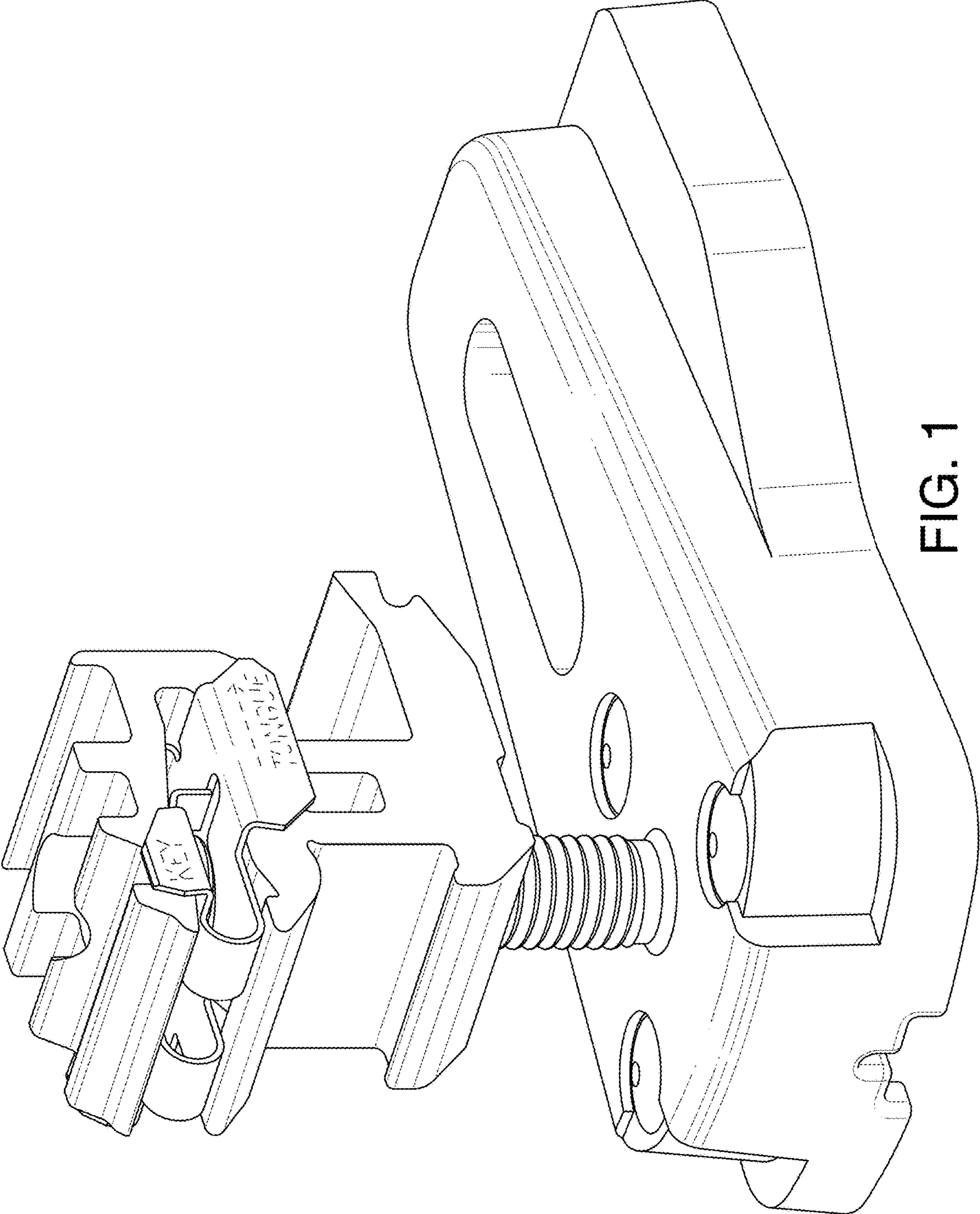


FIG. 1

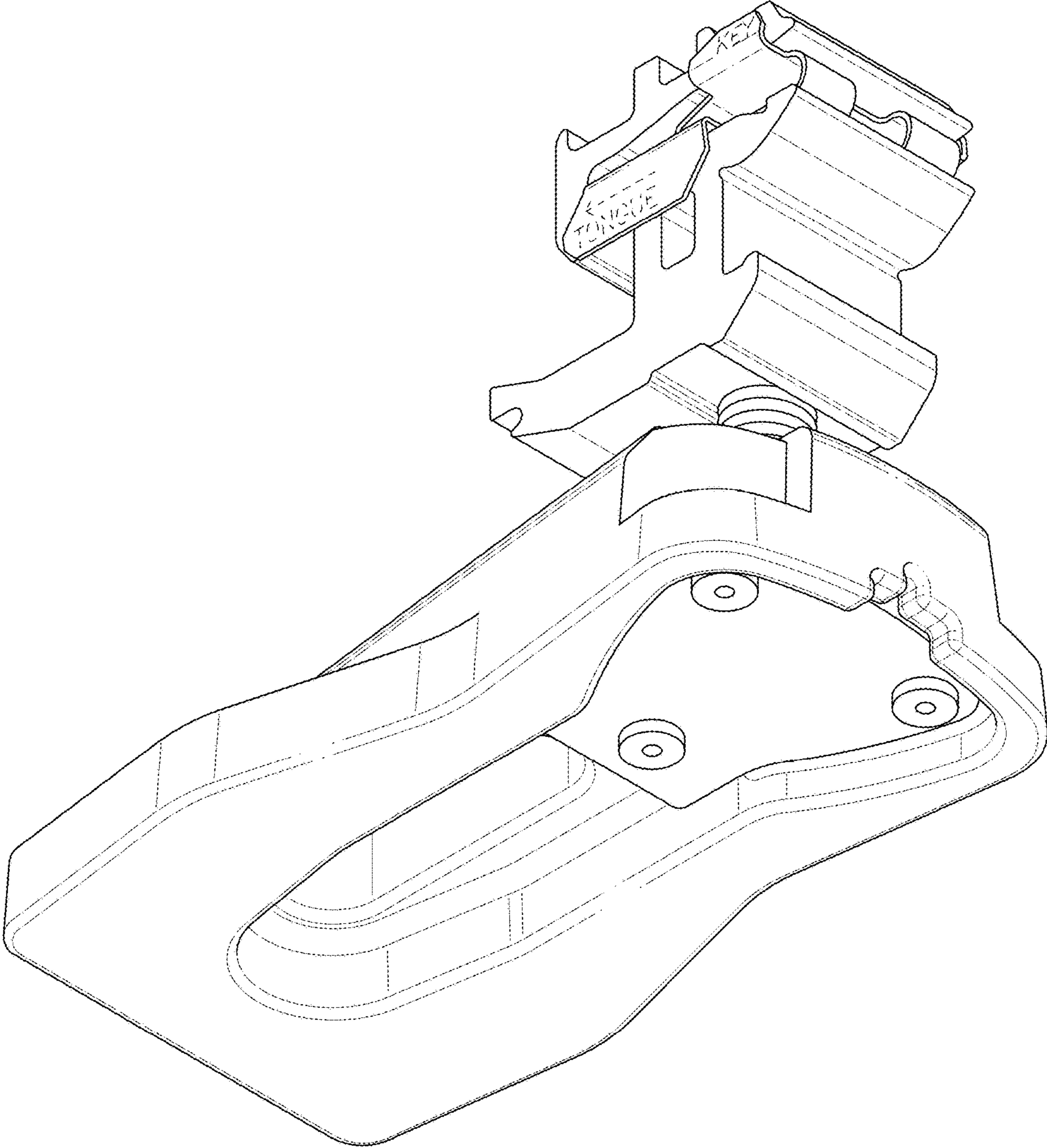


FIG. 2

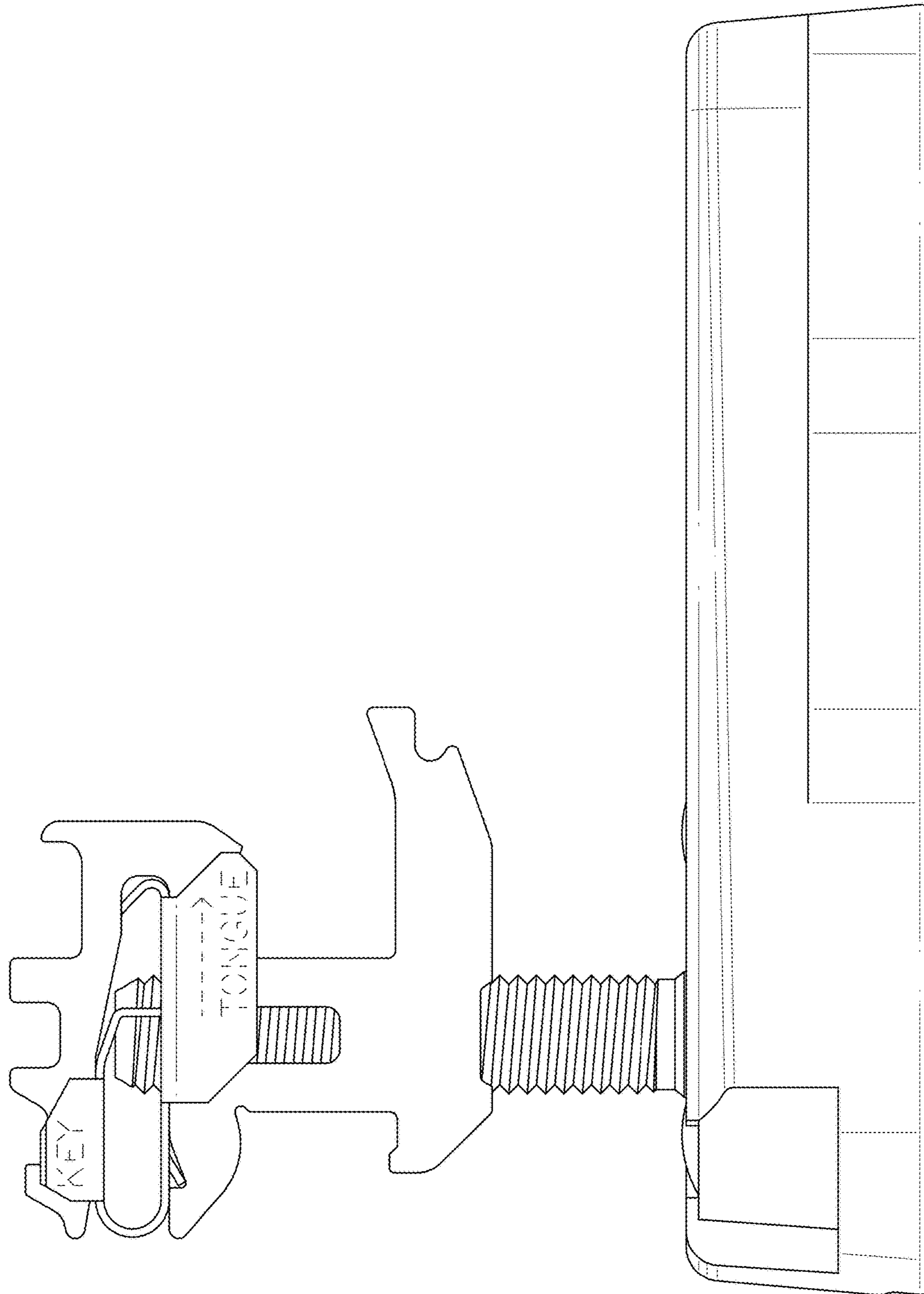


FIG. 3

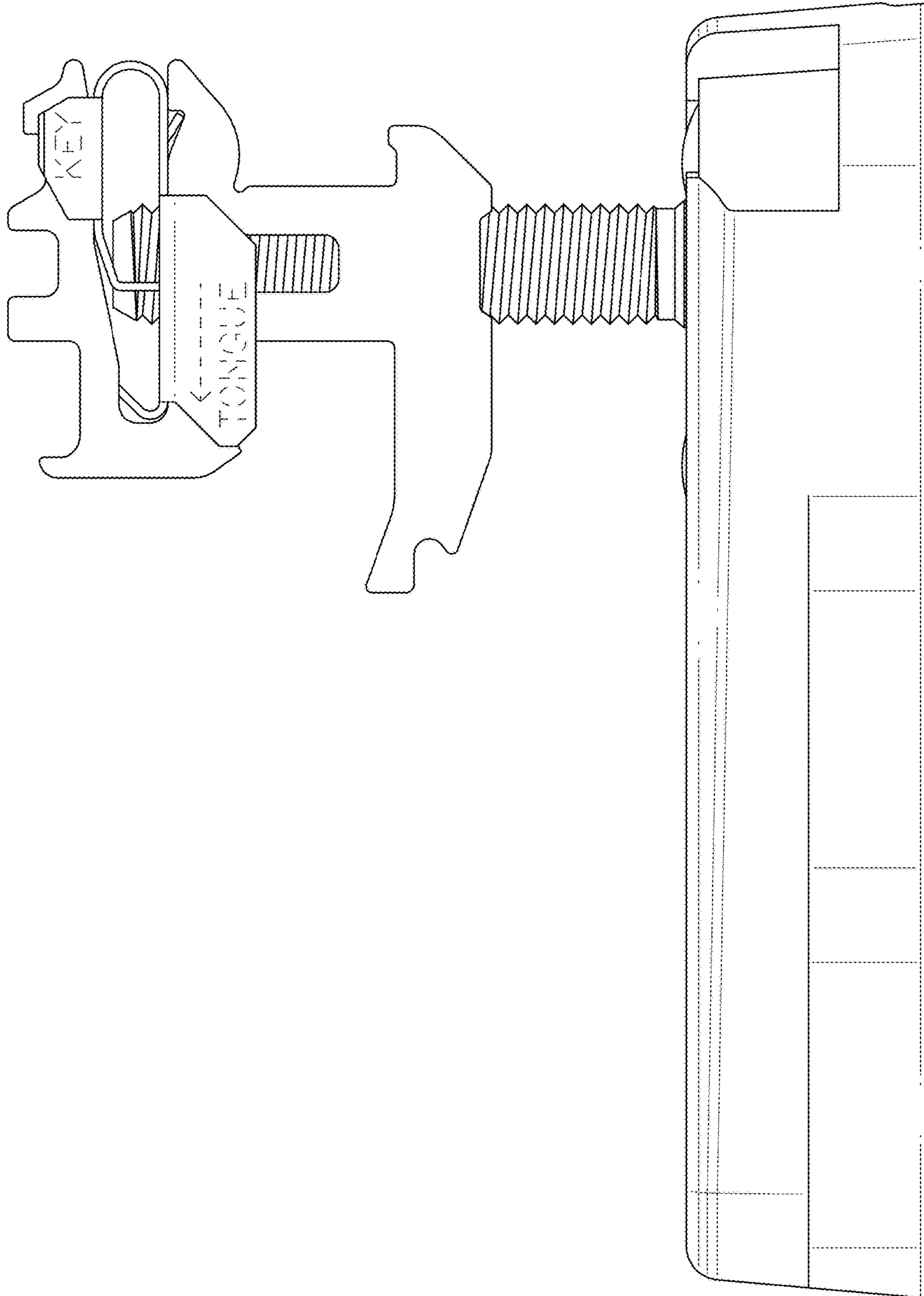


FIG. 4

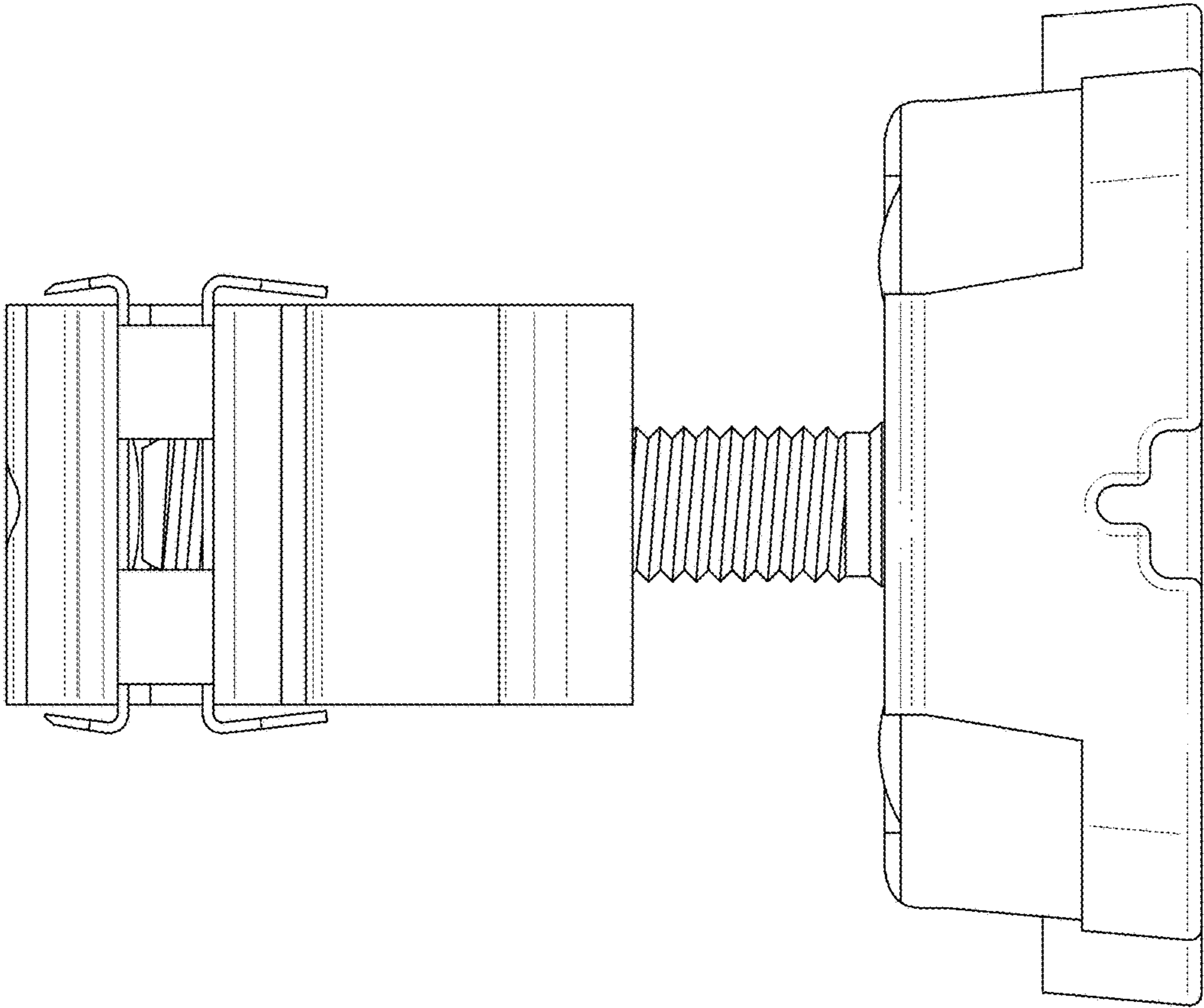


FIG. 5

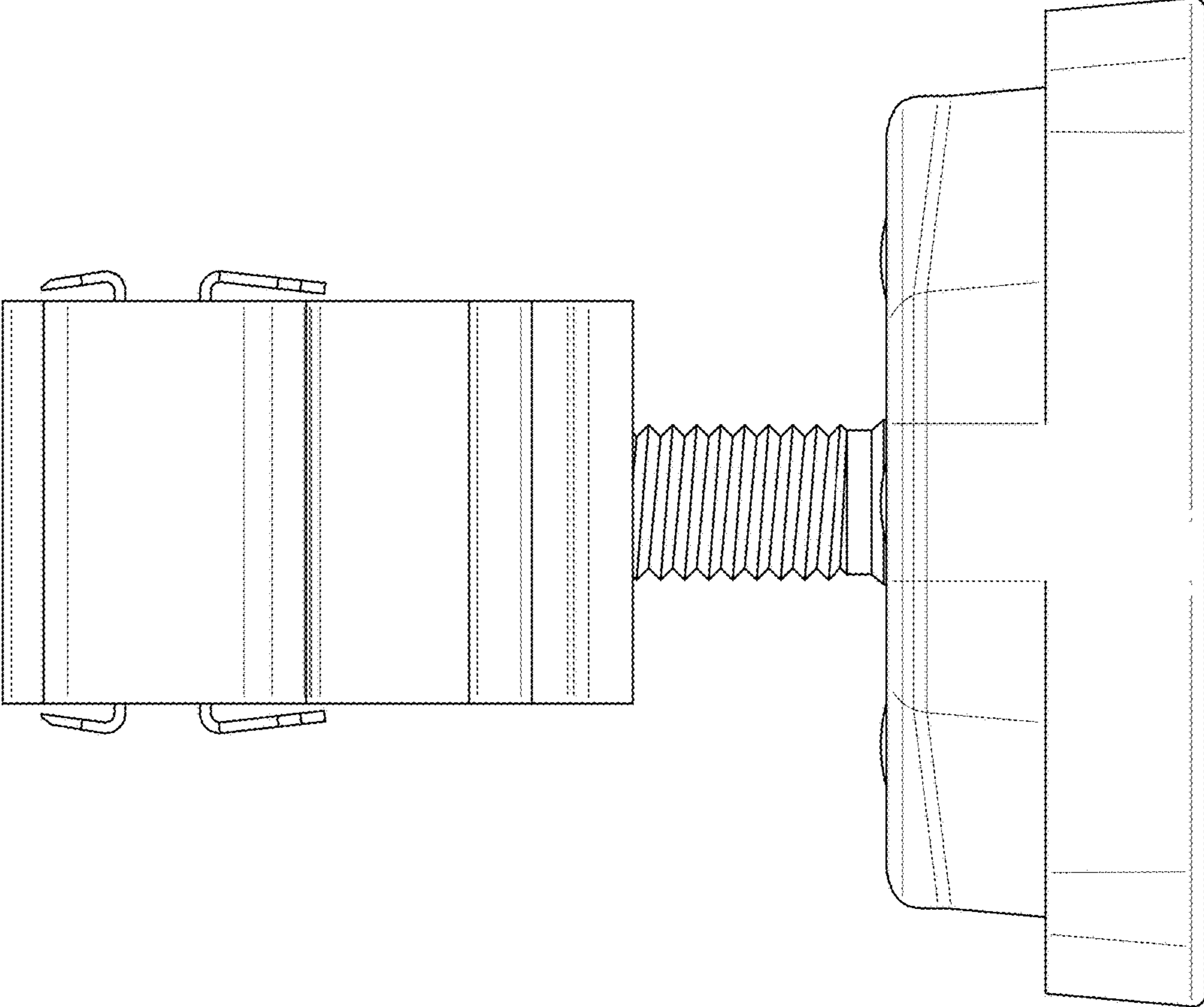


FIG. 6

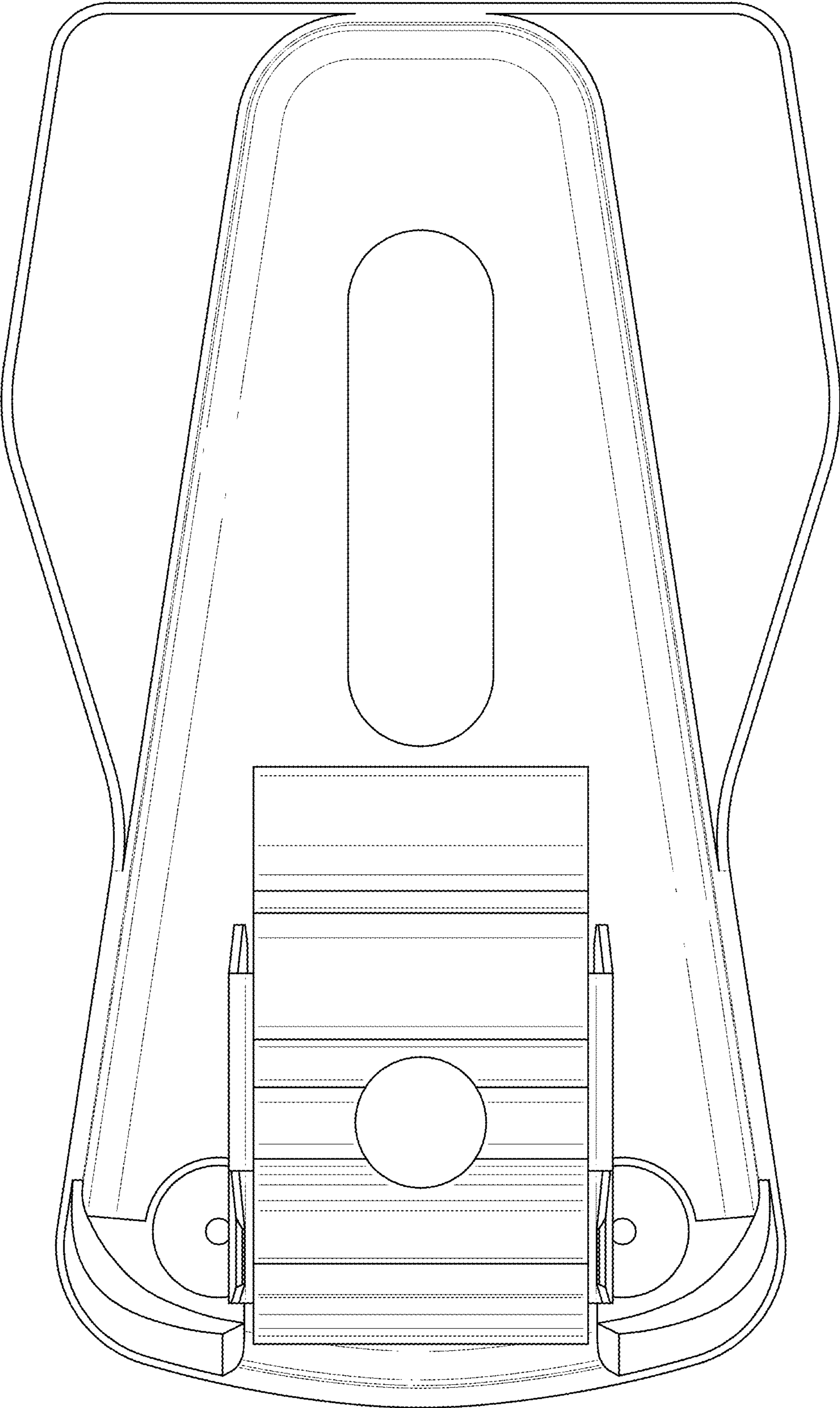


FIG. 7

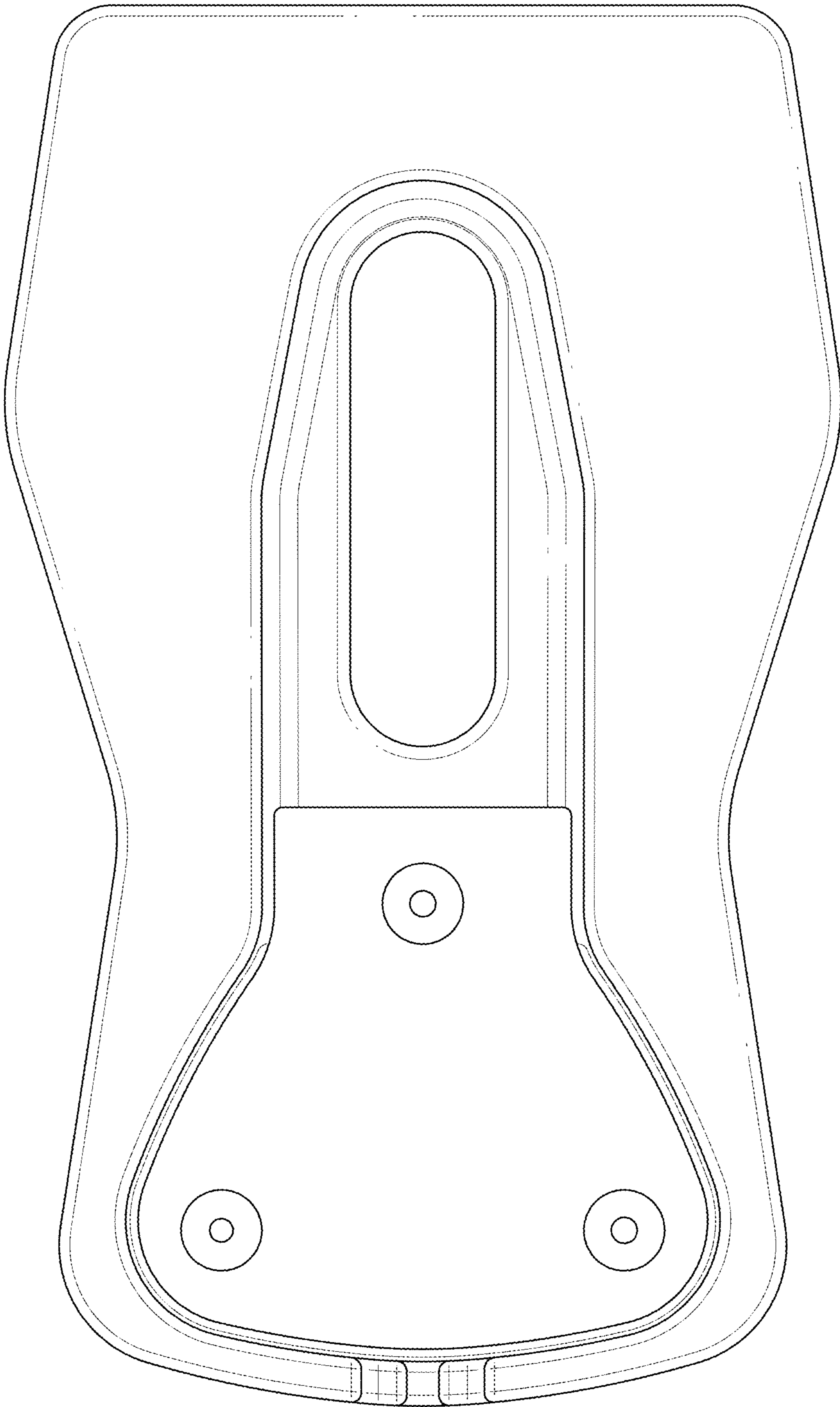


FIG. 8