



US00D779307S

(12) **United States Design Patent**  
**Nix**

(10) **Patent No.:** **US D779,307 S**

(45) **Date of Patent:** **\*\* Feb. 21, 2017**

(54) **PORTABLE RESTROOM STALL DOOR LOCK**

(71) Applicant: **Anne Lynette Nix**, Gentry, AR (US)

(72) Inventor: **Anne Lynette Nix**, Gentry, AR (US)

(\*\*) Term: **15 Years**

(21) Appl. No.: **29/551,106**

(22) Filed: **Jan. 11, 2016**

(51) **LOC (10) Cl.** ..... **08-07**

(52) **U.S. Cl.**  
USPC ..... **D8/339; D8/336; D8/330**

(58) **Field of Classification Search**  
USPC ..... D8/330, 331, 336, 339, 343, 306, 349,  
D8/354, 400, 402; 70/14, 57, 95, 99,  
70/102-106, 117, 118, 224; 292/288-298,  
292/258, 239, 343, DIG. 15, DIG. 38, 91;  
52/284, 285.4; 49/73.1, 72, 394, 381, 504  
CPC ..... E05C 19/18; E05C 19/184; E05C 3/06;  
E05C 3/00; E06B 65/00

See application file for complete search history.

(56) **References Cited**

**U.S. PATENT DOCUMENTS**

- 5,603,184 A \* 2/1997 Campbell ..... E05B 15/10  
292/145
- D396,794 S \* 8/1998 Francom ..... D8/336
- 5,984,386 A \* 11/1999 Clemens ..... E05C 19/18  
292/162
- D455,063 S \* 4/2002 Anderson ..... D8/339
- D524,633 S \* 7/2006 Robert ..... D8/339
- D639,138 S \* 6/2011 Gordon ..... D8/330

- 7,980,605 B1 \* 7/2011 Fuhrman ..... E05C 19/182  
292/258
- 8,141,296 B2 \* 3/2012 Bem ..... E05B 47/02  
340/686.6
- 8,186,729 B2 \* 5/2012 Dudley ..... E05B 47/0607  
292/144
- 8,284,018 B2 \* 10/2012 Ibsies ..... E05F 15/74  
340/3.1
- D719,436 S \* 12/2014 Roggero ..... D8/330
- 9,033,378 B2 \* 5/2015 Jenkins ..... E05C 19/184  
292/256.71

\* cited by examiner

*Primary Examiner* — Prabhakar Deshmukh

(74) *Attorney, Agent, or Firm* — RG Patent Consulting, LLC; Rachel Gilboy

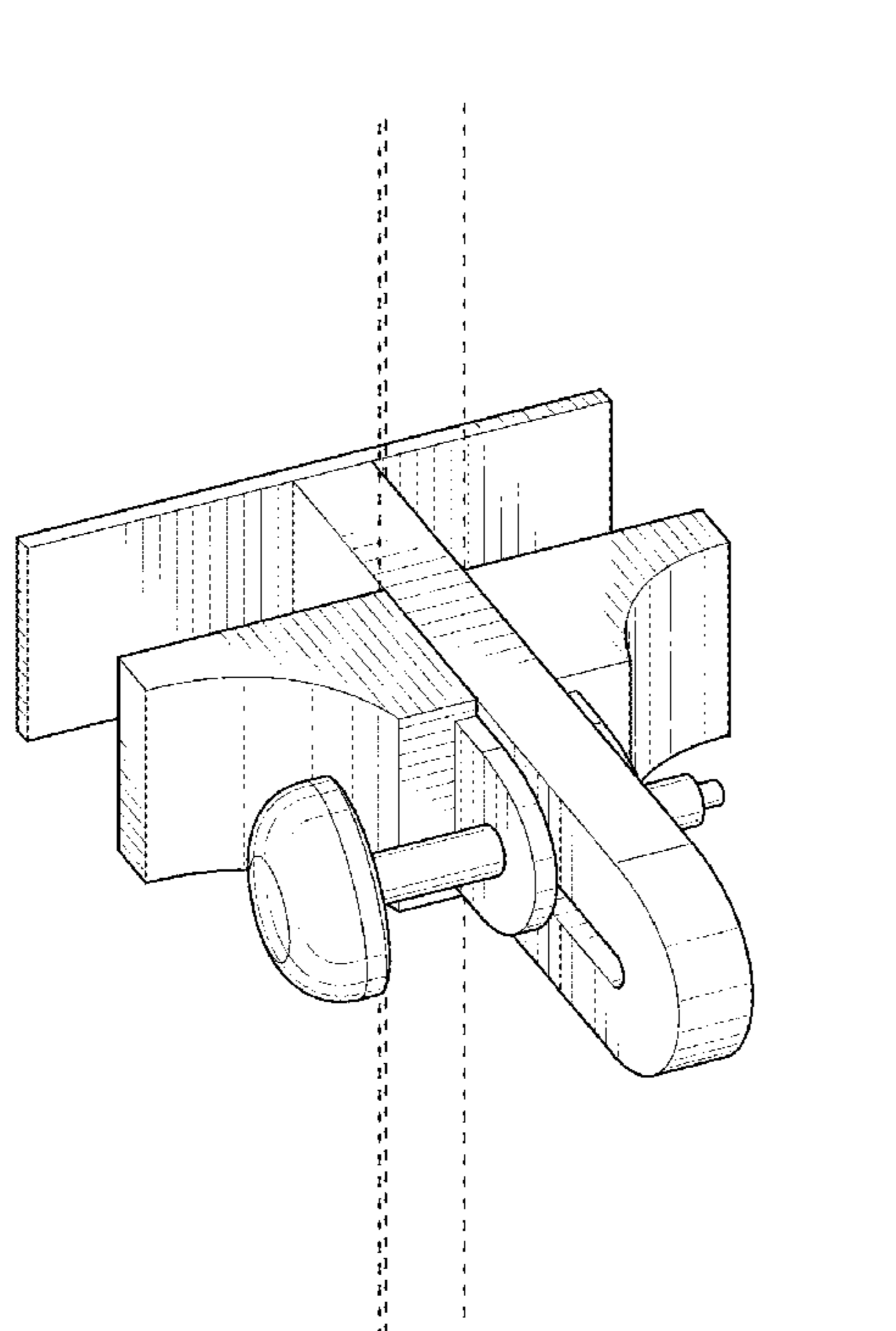
(57) **CLAIM**

A ornamental design for the portable restroom stall door lock, as described and shown.

**DESCRIPTION**

FIG. 1 is a perspective (back) view of the portable restroom stall door lock showing my new design; FIG. 2 is a top plan view thereof; FIG. 3 is a bottom plan view thereof; FIG. 4 is a right side plan view thereof; FIG. 5 is a left side plan view thereof; FIG. 6 is a front elevation view thereof; and, FIG. 7 is a rear elevation view thereof. The broken lines indicate environment and forms no part of the claimed design.

**1 Claim, 4 Drawing Sheets**



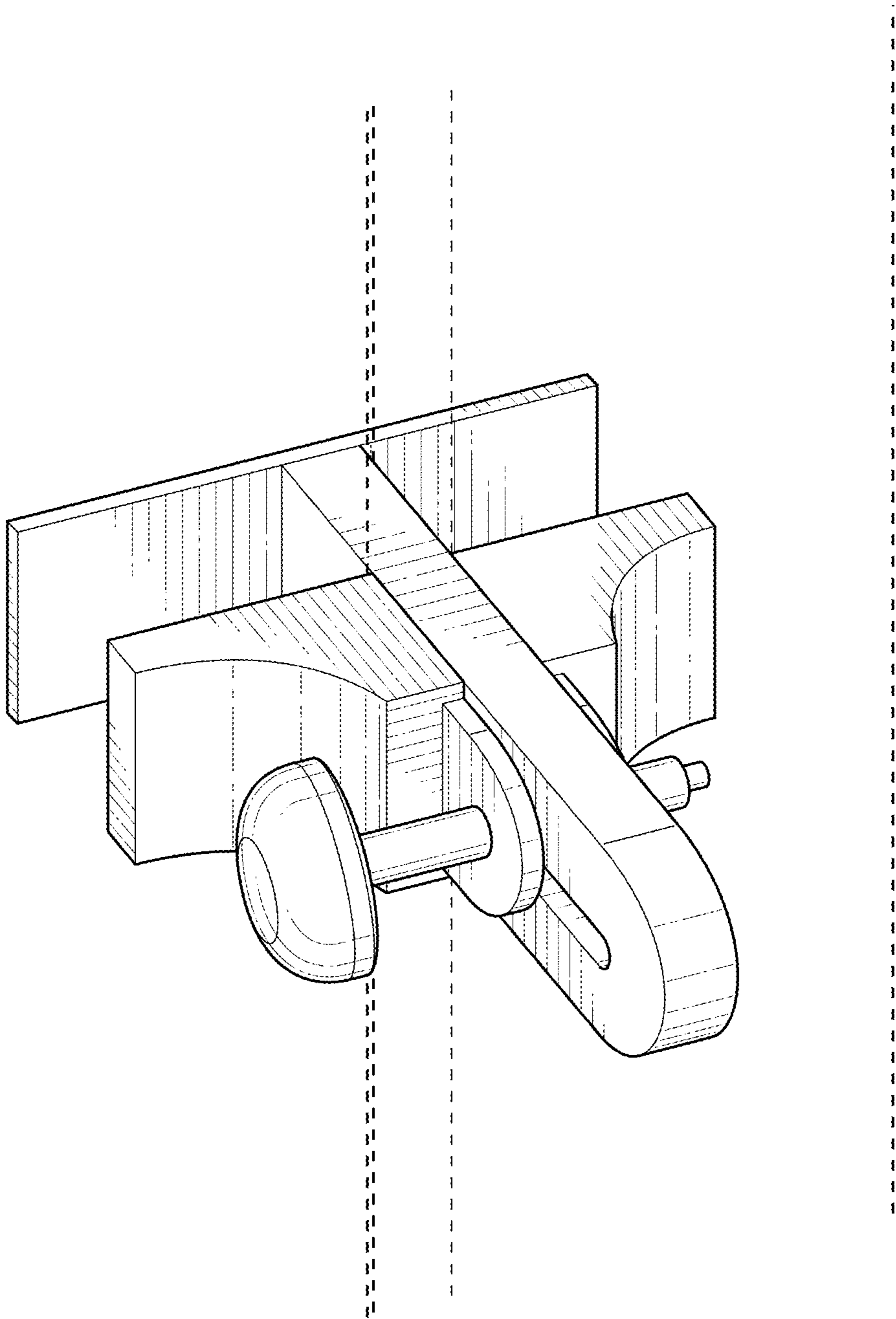


FIG. 1

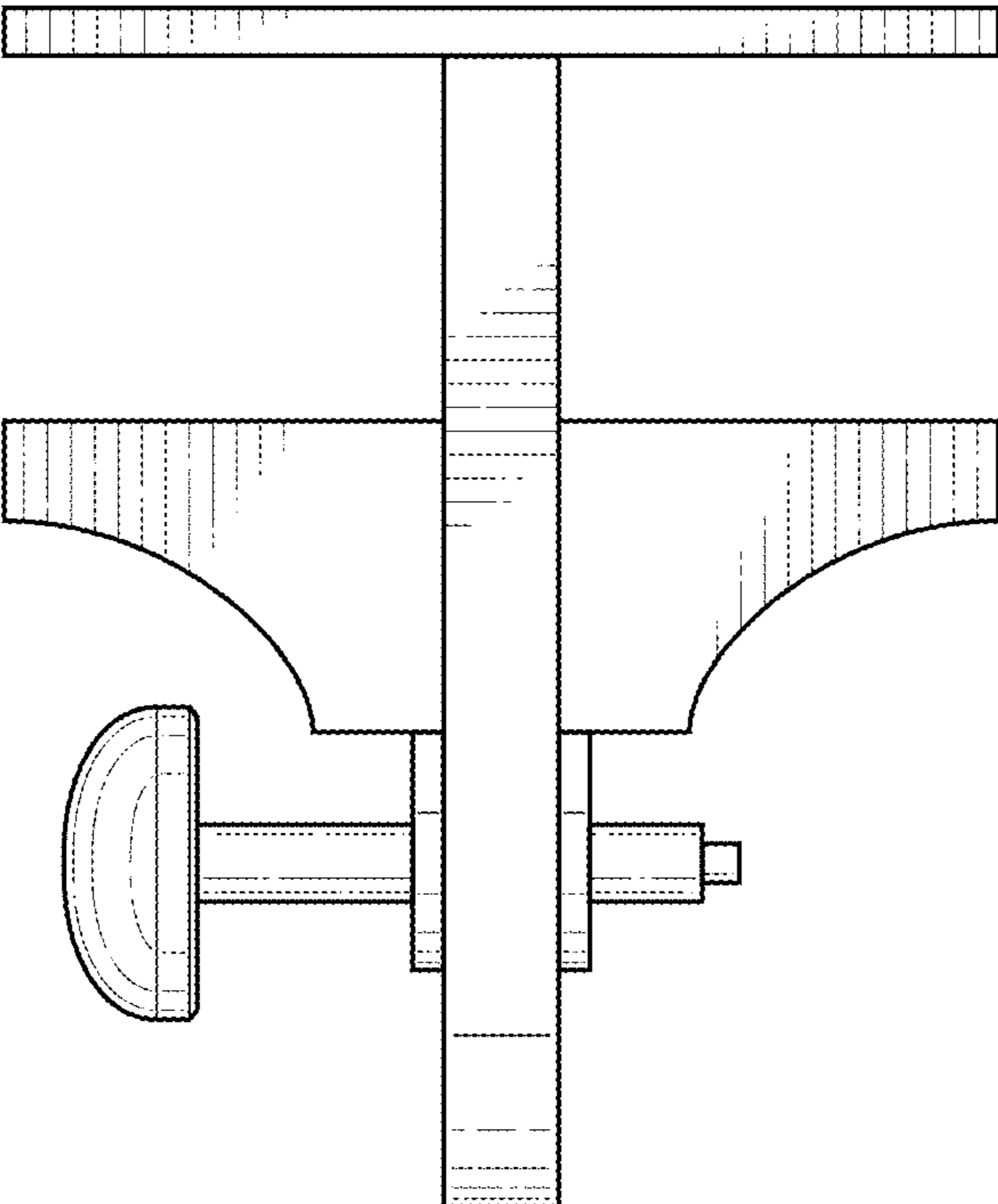


FIG. 2

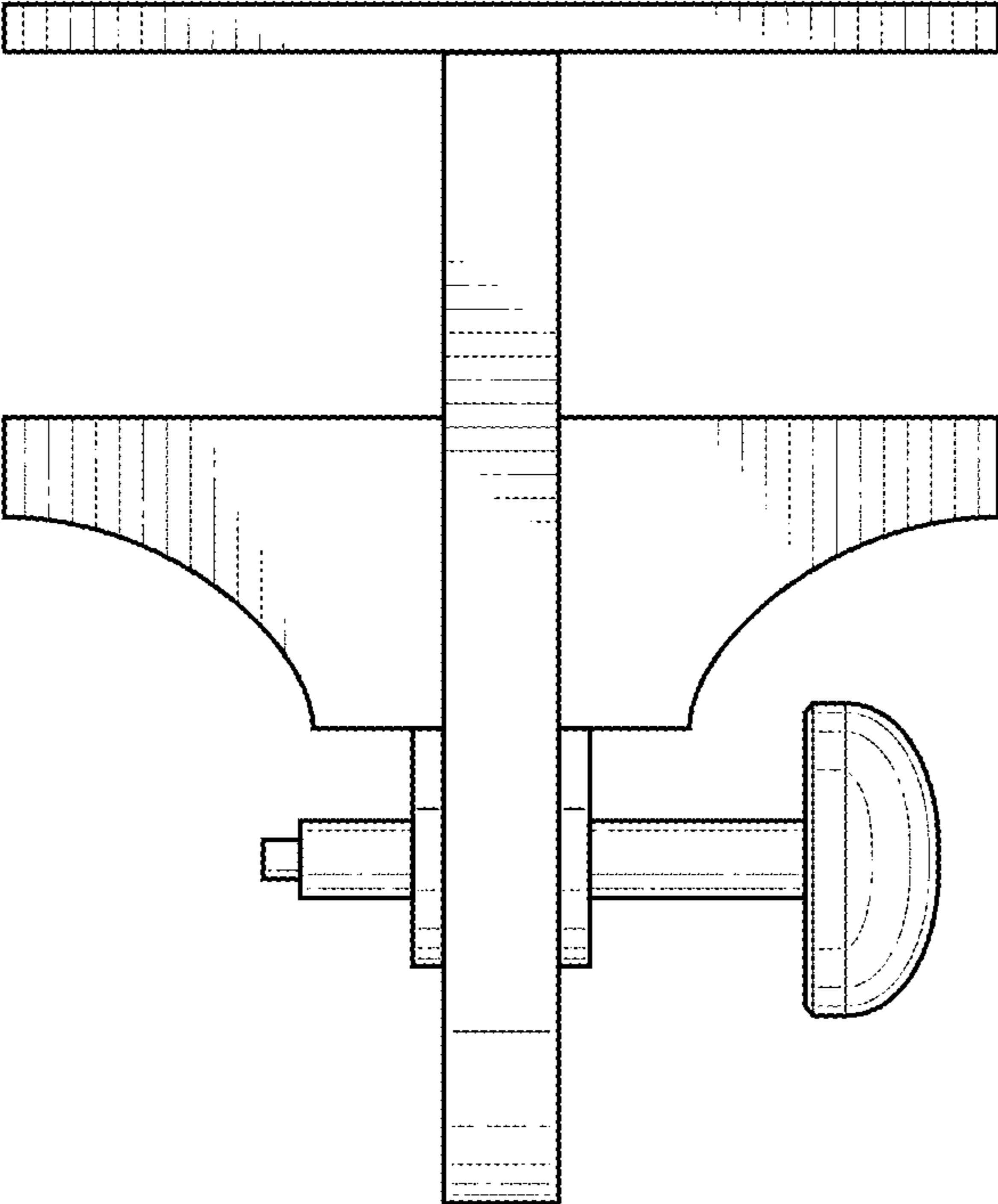
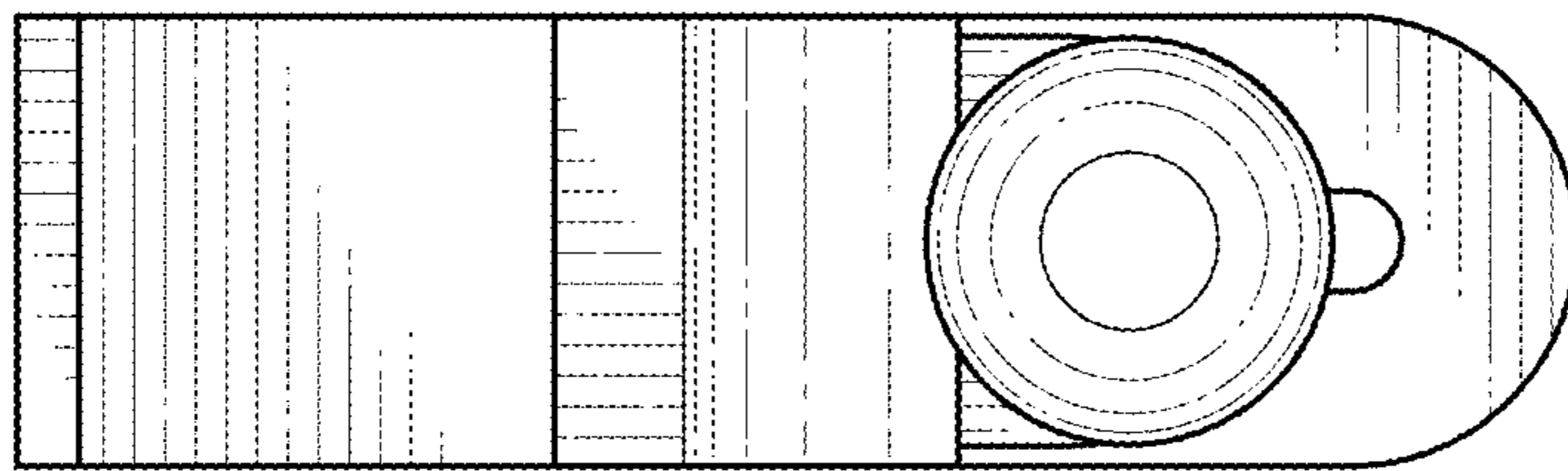
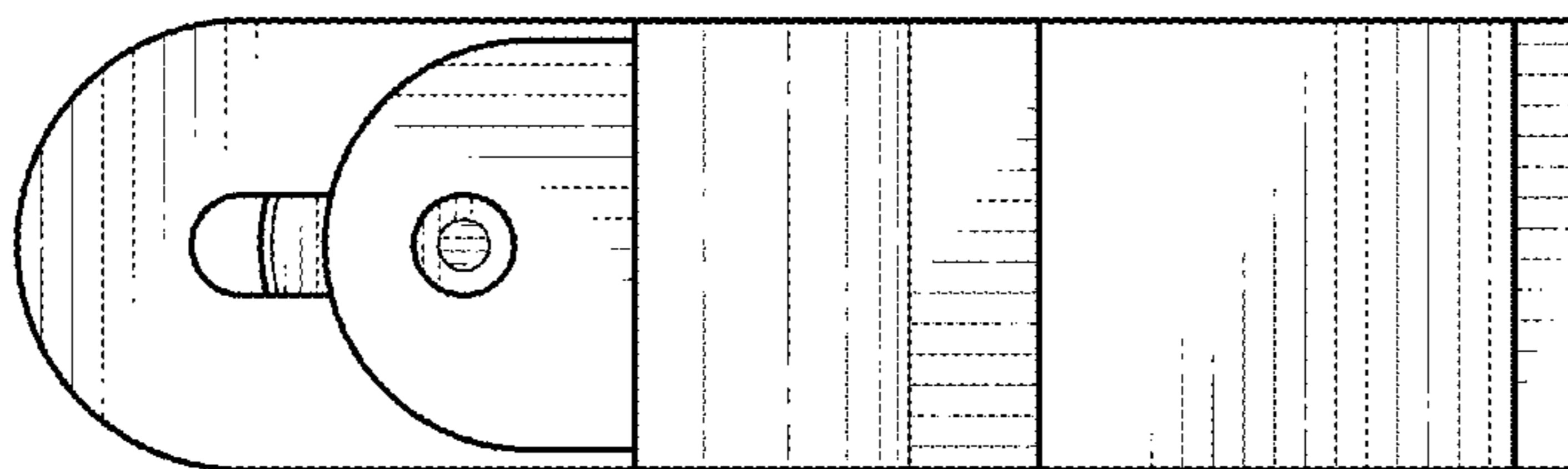


FIG. 3



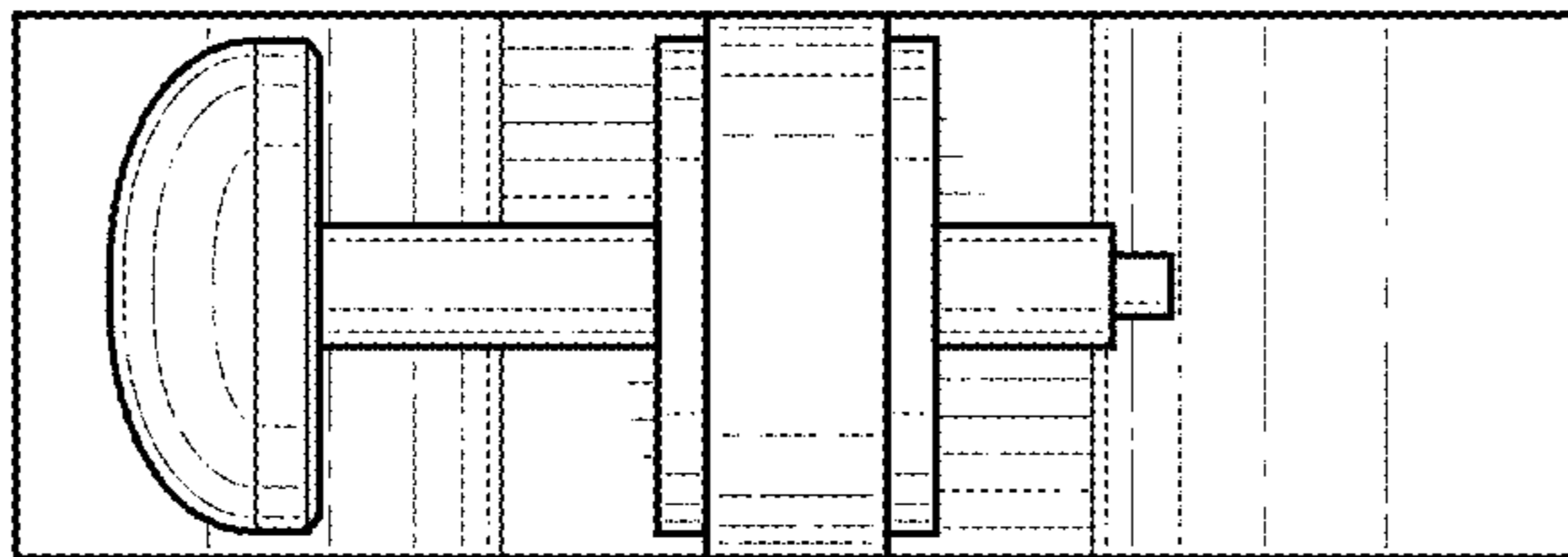
**FIG. 4**



**FIG. 5**



**FIG. 6**



**FIG. 7**