



US00D779306S

(12) **United States Design Patent** (10) **Patent No.:** **US D779,306 S**
Finkelstein et al. (45) **Date of Patent:** **** Feb. 21, 2017**

(54) **LATCH**
(71) Applicant: **Kason Industries, Inc.**, Newnan, GA (US)
(72) Inventors: **Burl M Finkelstein**, Newnan, GA (US); **Brett A Mitchell**, Newnan, GA (US); **Jeffrey E. Underwood**, Newnan, GA (US)
(73) Assignee: **KASON INDUSTRIES, INC.**, Newnan, GA (US)
(**) Term: **15 Years**
(21) Appl. No.: **29/544,403**
(22) Filed: **Nov. 3, 2015**
(51) **LOC (10) Cl.** **08-07**
(52) **U.S. Cl.**
USPC **D8/331; D8/339; D8/343**
(58) **Field of Classification Search**
USPC **D8/330, 331, 333, 339, 343, 344, 345, D8/349, 354, 355, 356, 367, 382; 70/14, 70/49, 58, DIG. 63, DIG. 35, 30, 51, 52, 70/57, 57.1, 141, 431, 465, 466, 29; 292/256, 262, 281, 285, 288, DIG. 30; 24/458, 455, 572.1, 573.09, 265 R, 307 R**
CPC **E05C 19/10; E05C 19/18; E05B 73/00; B25G 3/00; B25G 3/12**
See application file for complete search history.

(56) **References Cited**
U.S. PATENT DOCUMENTS
6,519,984 B1 * 2/2003 Morris B60R 25/00 292/336.3
6,962,394 B2 * 11/2005 Anthony B60N 2/2806 24/633

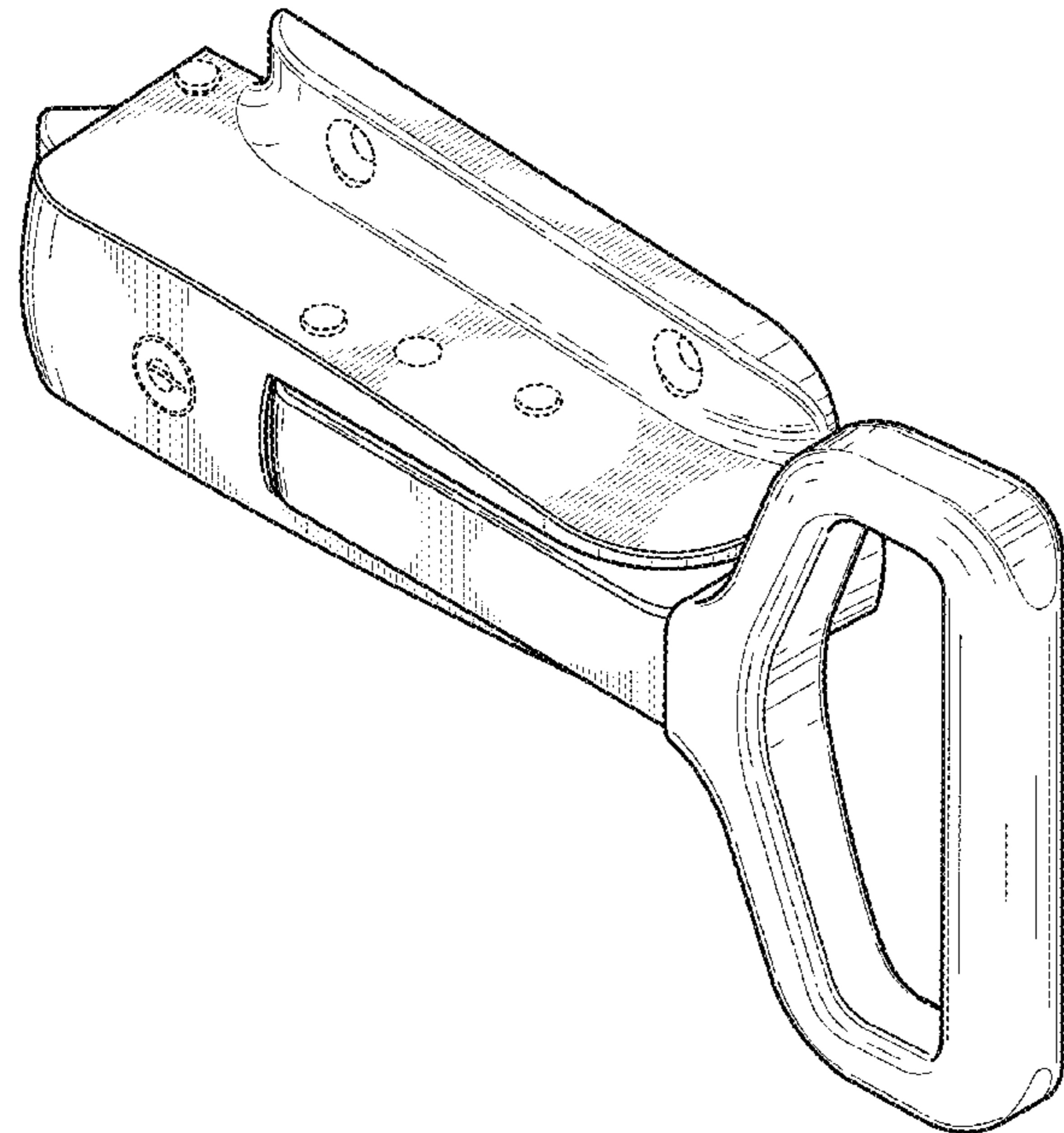
7,617,707 B2 * 11/2009 Chiang E05B 13/10 292/336.3
D610,036 S * 2/2010 Balensiefer, II D11/201
7,810,220 B2 * 10/2010 Anthony A01K 27/005 24/599.1
7,862,124 B2 * 1/2011 Dingman A44B 11/10 24/171
D647,782 S * 11/2011 Novak D8/330
D649,432 S * 11/2011 Main D8/331
D649,433 S * 11/2011 Buckingham D8/331
8,915,105 B2 * 12/2014 Weirnerman E05C 3/041 292/207
8,960,733 B1 * 2/2015 Smith E05C 7/02 292/126
8,991,889 B1 * 3/2015 Levi B60R 9/0423 224/310
D740,100 S * 10/2015 Alfredsson D8/330

* cited by examiner
Primary Examiner — Prabhakar Deshmukh
(74) *Attorney, Agent, or Firm* — Baker, Donelson, Bearman, Caldwell & Berkowitz, PC; Dorian Kennedy

(57) **CLAIM**
The ornamental design for a latch, as shown and described.

DESCRIPTION
FIG. 1 is a perspective view of a latch showing our new design;
FIG. 2 is a top plan view thereof;
FIG. 3 is a bottom plan view thereof;
FIG. 4 is a front elevational view thereof;
FIG. 5 is a rear elevational view thereof;
FIG. 6 is a left side elevational view thereof; and,
FIG. 7 is a right side elevational view thereof.
The broken lines indicate unclaimed portions and form no part of the claimed design.

1 Claim, 5 Drawing Sheets



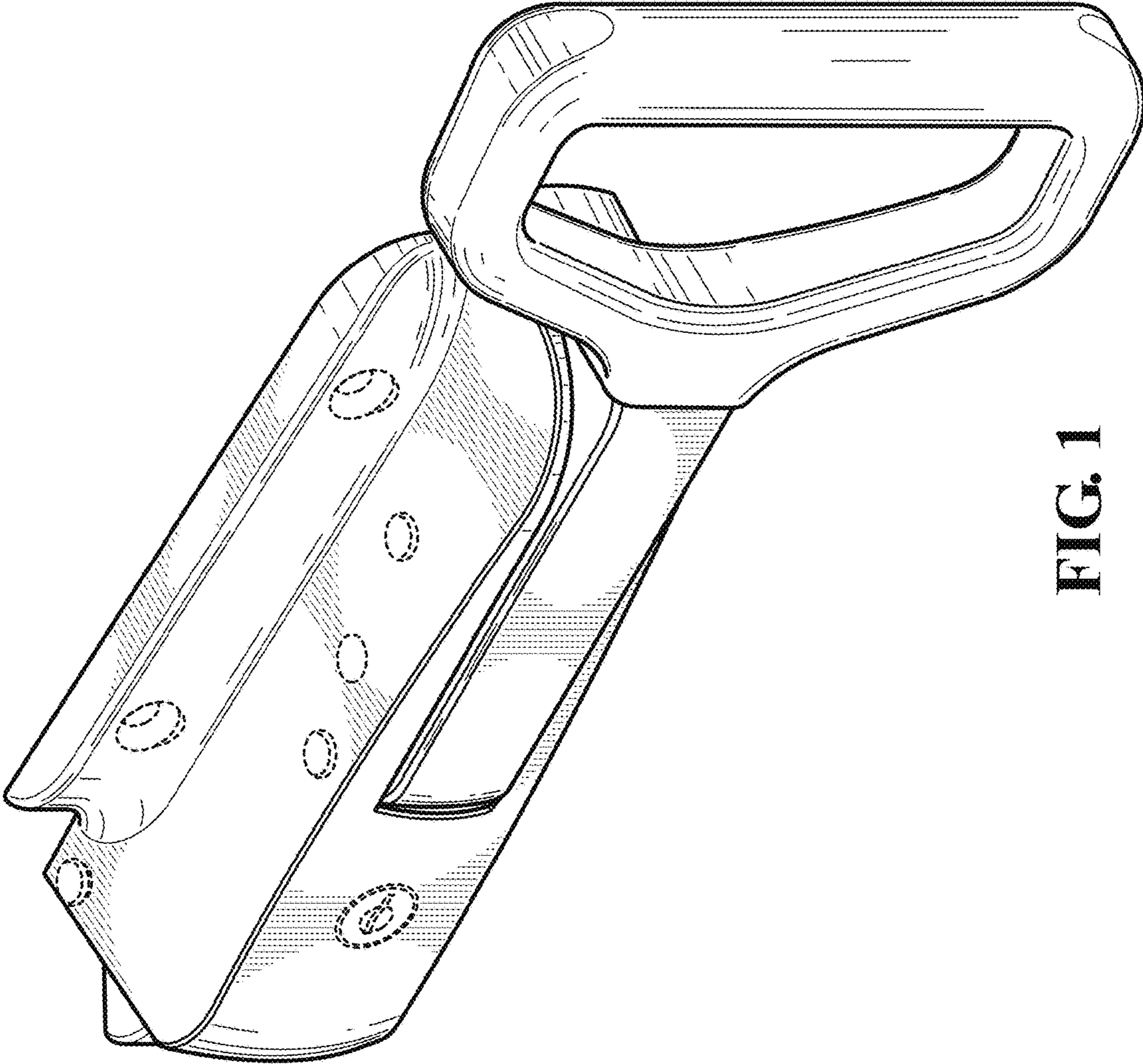


FIG. 1

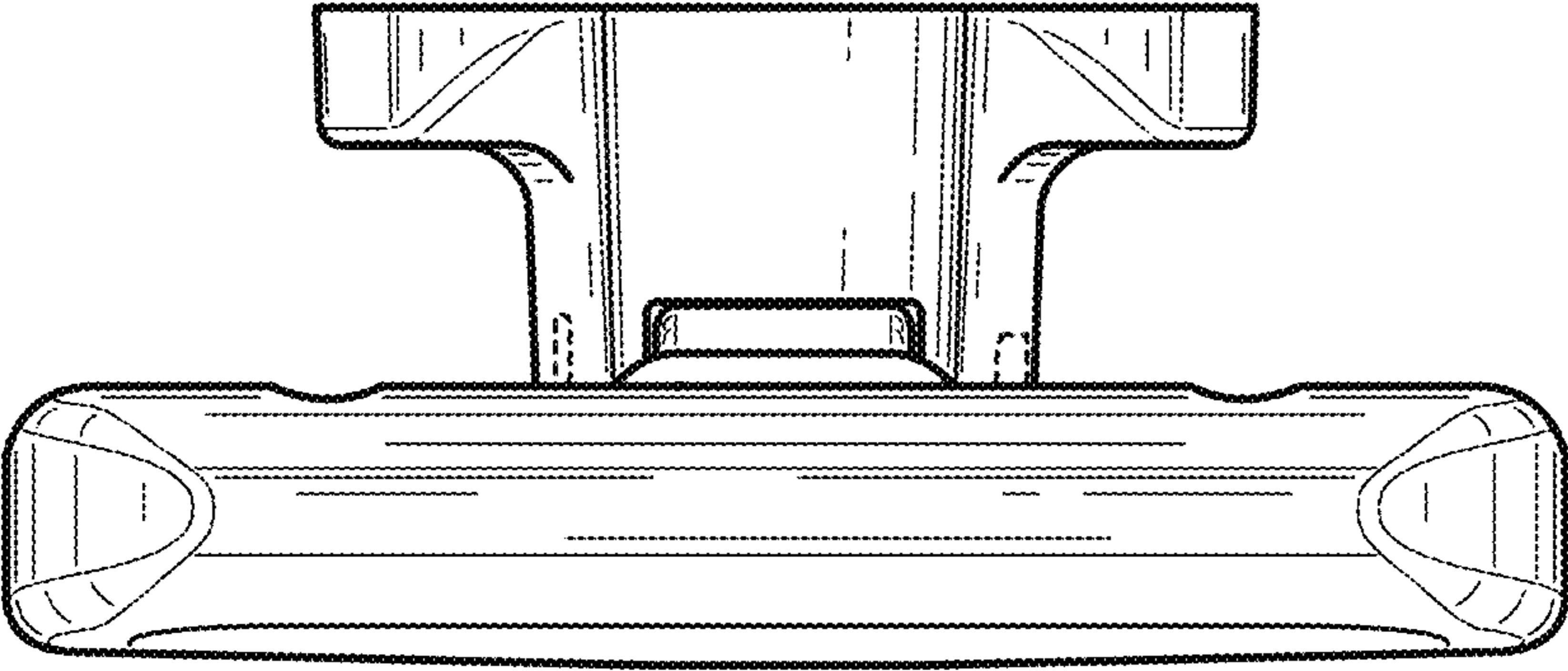


FIG. 3

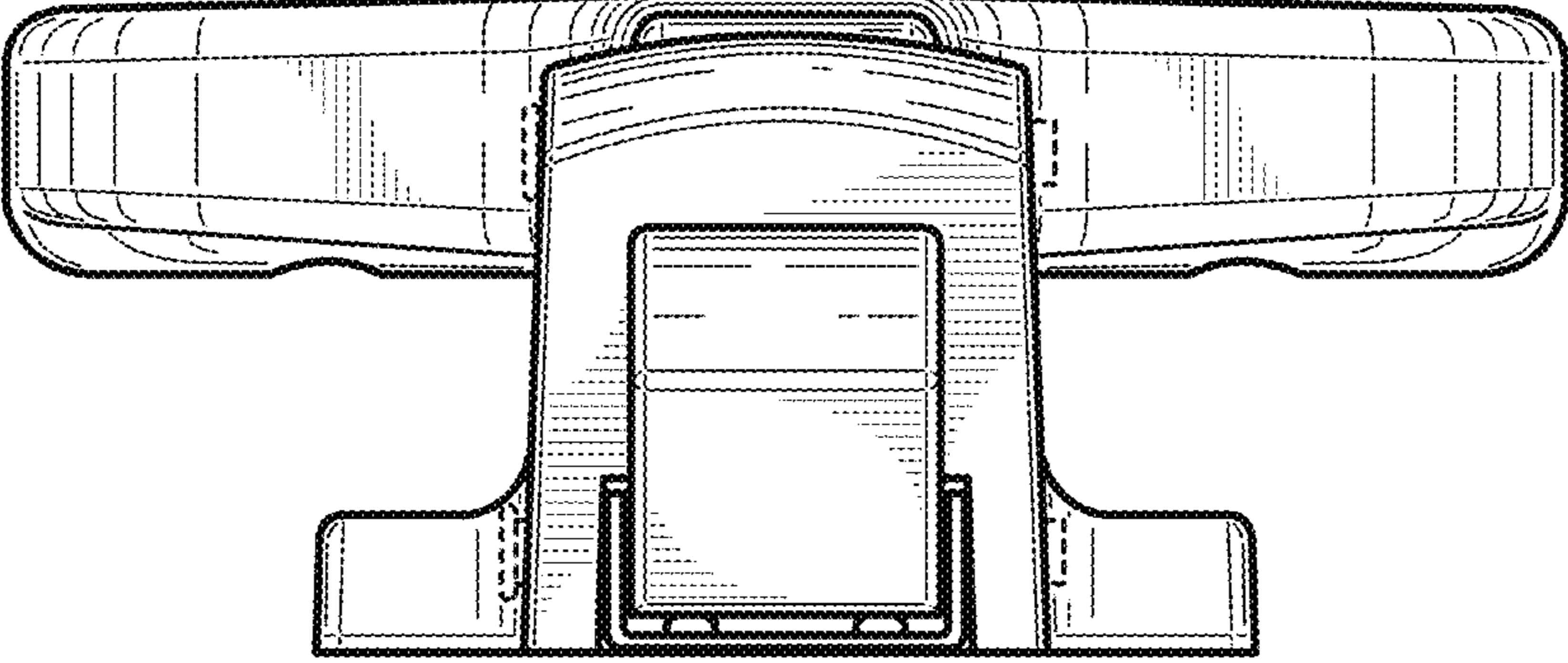


FIG. 2

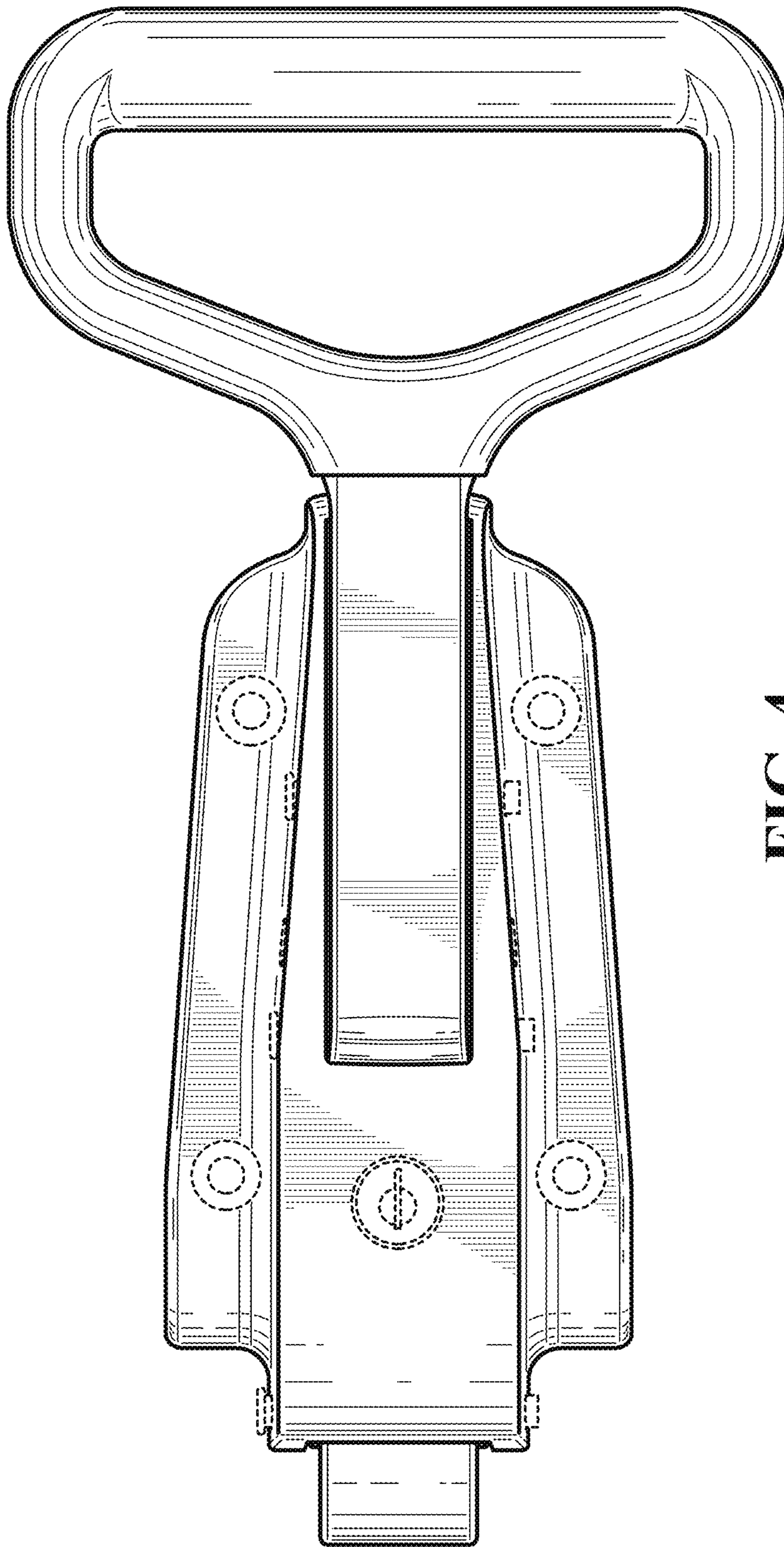


FIG. 4

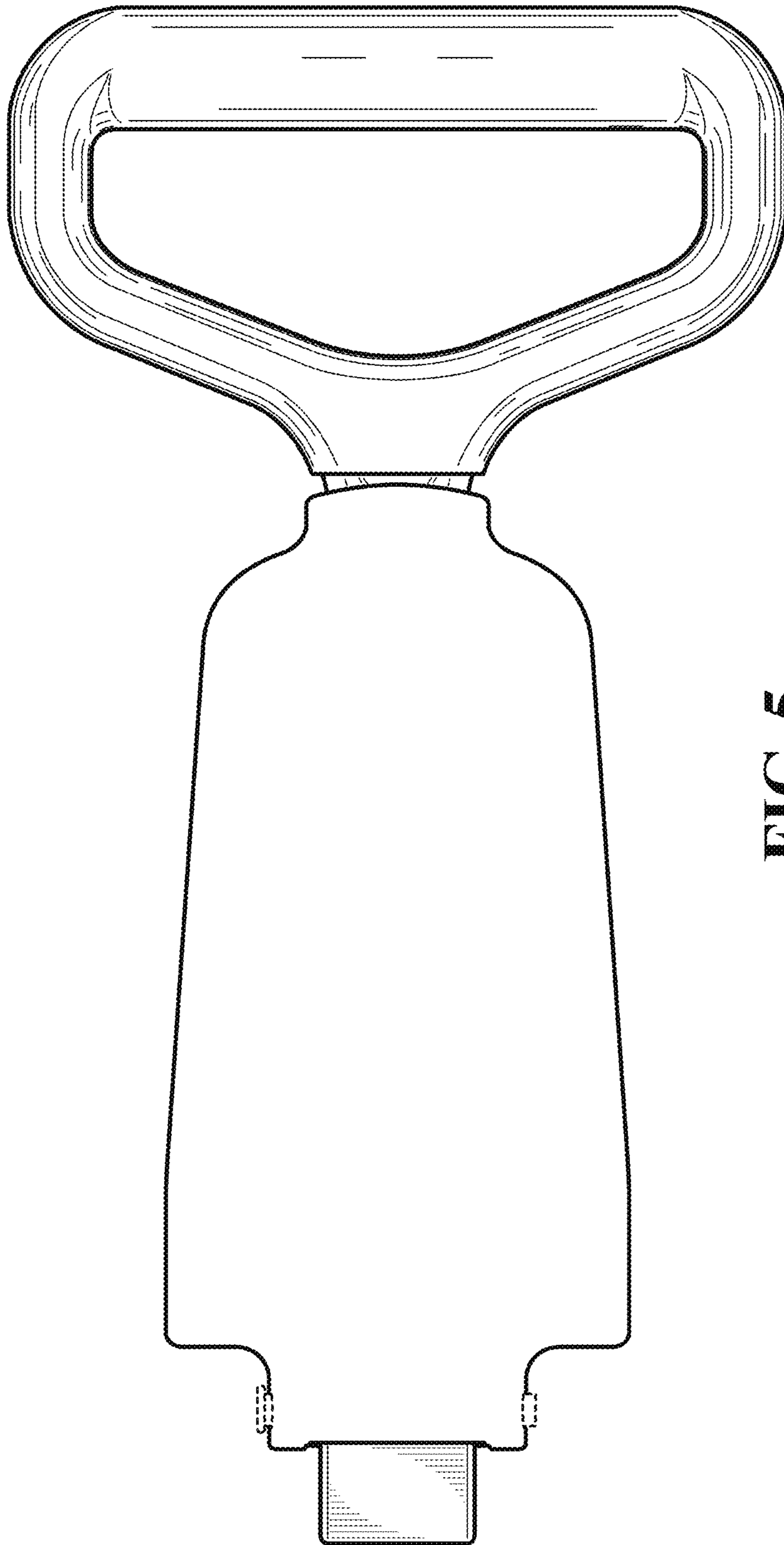


FIG. 5

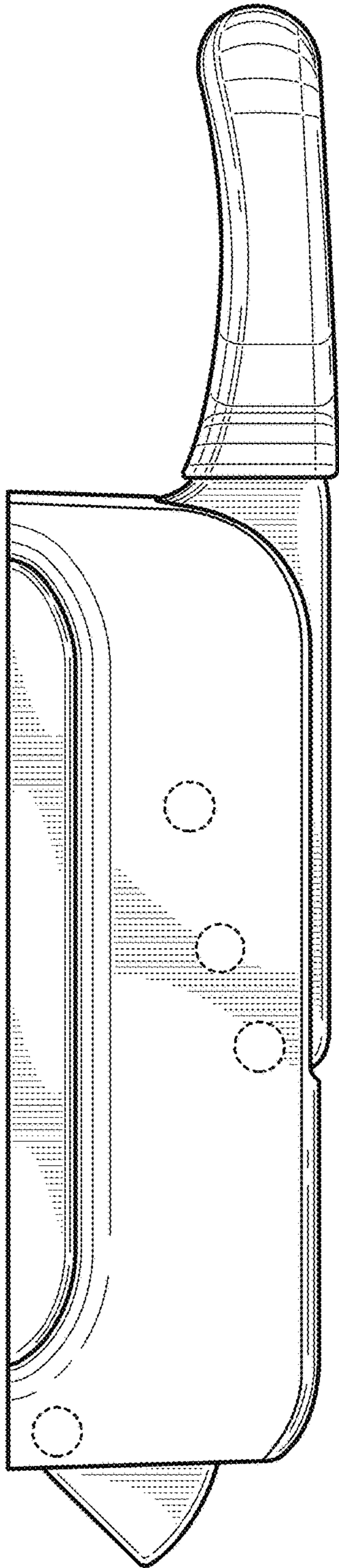


FIG. 6

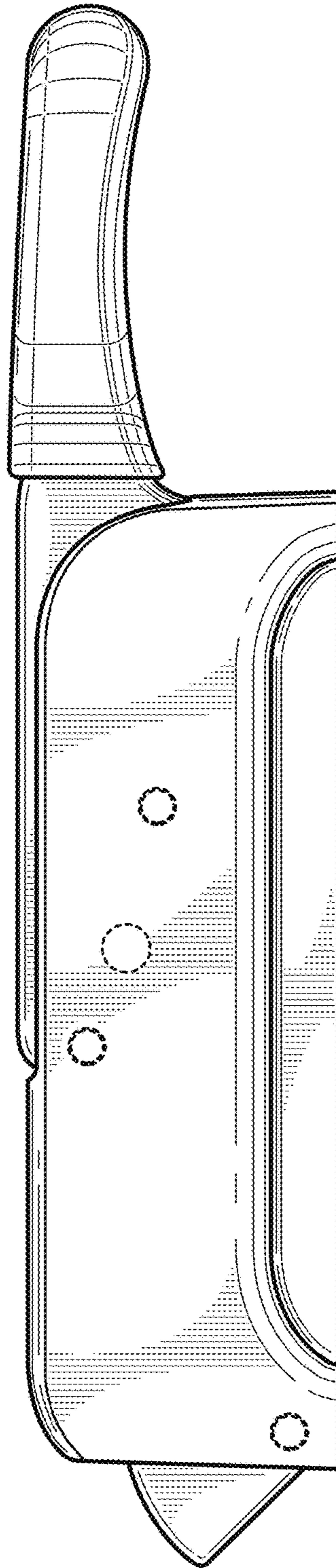


FIG. 7