



US00D779305S

(12) **United States Design Patent** (10) **Patent No.:** **US D779,305 S**
Ku (45) **Date of Patent:** **** Feb. 21, 2017**

(54) **SWITCH**

(71) Applicant: **Che-Ming Ku**, Taichung (TW)

(72) Inventor: **Che-Ming Ku**, Taichung (TW)

(**) Term: **14 Years**

(21) Appl. No.: **29/516,131**

(22) Filed: **Jan. 29, 2015**

(51) **LOC (10) Cl.** **08-07**

(52) **U.S. Cl.**
USPC **D8/330**

(58) **Field of Classification Search**

USPC D8/330, 331, 333, 317, 335, 336, 337,
D8/338, 341, 342, 348, 350, 352; 70/14,
70/20, 21, 24, 27, 32, 39, 41, 52-56, 86,
70/423, 57, DIG. 38, DIG. 39

CPC E05B 45/06; E05B 17/00; E05B 17/14;
E05B 47/00; E05B 49/00; E05B
37/00; E05B 13/00; G05B 19/00

See application file for complete search history.

(56) **References Cited**

U.S. PATENT DOCUMENTS

D361,985 S * 9/1995 Snyder D10/102
6,202,352 B1 * 3/2001 Wilkes E05B 15/02
49/460

(Continued)

Primary Examiner — Prabhakar Deshmukh

(74) *Attorney, Agent, or Firm* — Hamre, Schumann,
Mueller & Larson, P.C.

(57) **CLAIM**

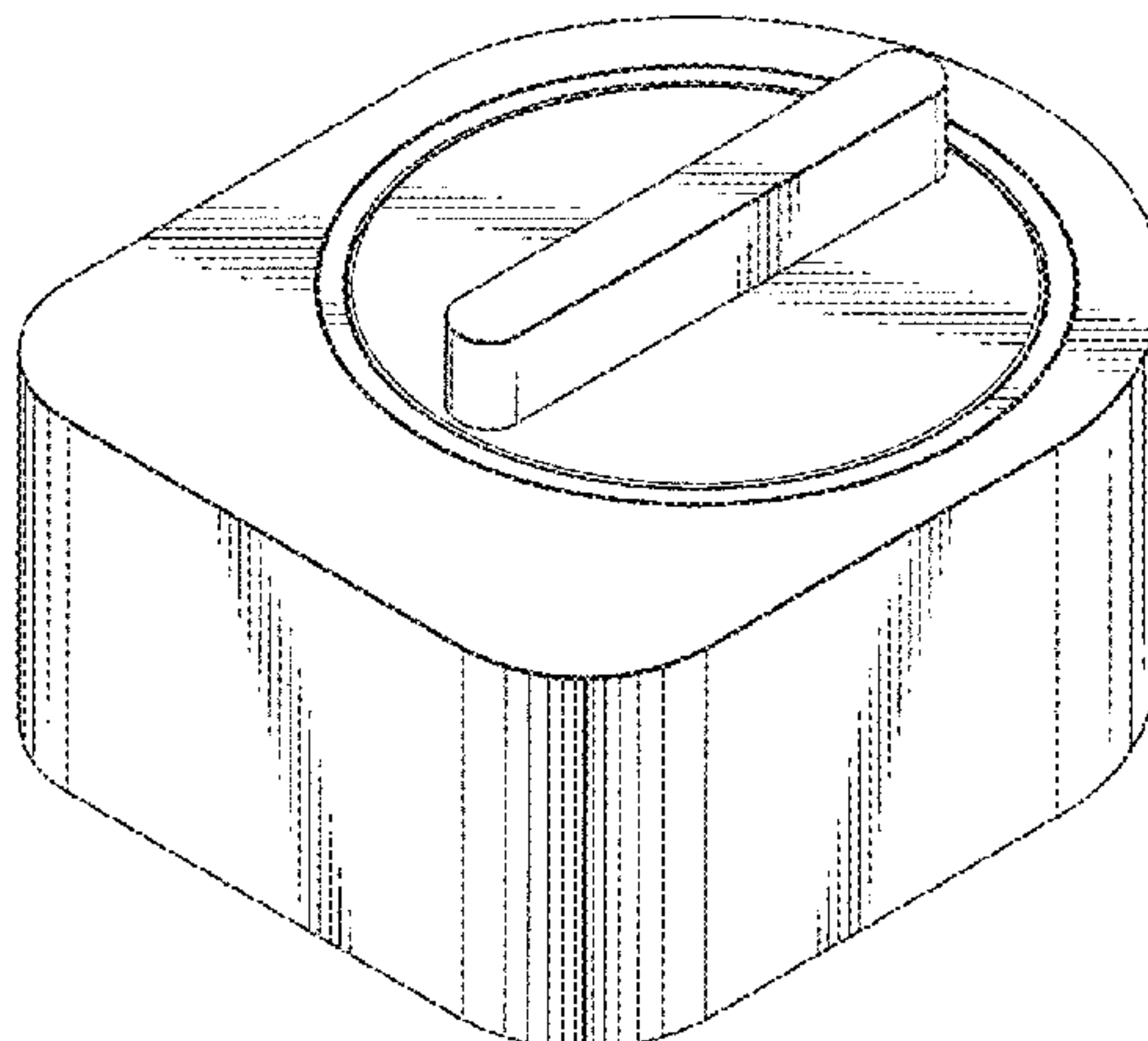
The ornamental design for the switch, as shown and described.

DESCRIPTION

FIG. 1 is a perspective view of a switch showing my new design;

FIG. 2 is a front elevational view thereof;
FIG. 3 is a rear elevational view thereof;
FIG. 4 is a left side elevational view thereof;
FIG. 5 is a right side elevational view thereof;
FIG. 6 is a top plan view thereof;
FIG. 7 is a perspective view of a second embodiment of the switch;
FIG. 8 is a front elevational view thereof;
FIG. 9 is a rear elevational view thereof;
FIG. 10 is a left side elevational view thereof;
FIG. 11 is a right side elevational view thereof;
FIG. 12 is a top plan view thereof;
FIG. 13 is a perspective view of a third embodiment of the switch;
FIG. 14 is a front elevational view thereof;
FIG. 15 is a rear elevational view thereof;
FIG. 16 is a left side elevational view thereof;
FIG. 17 is a right side elevational view thereof;
FIG. 18 is a top plan view thereof;
FIG. 19 is a perspective view of a fourth embodiment of the switch;
FIG. 20 is a front elevational view thereof;
FIG. 21 is a rear elevational view thereof;
FIG. 22 is a left side elevational view thereof;
FIG. 23 is a right side elevational view thereof;
FIG. 24 is a top plan view thereof;
FIG. 25 is a perspective view of a fifth embodiment of the switch;
FIG. 26 is a front elevational view thereof;
FIG. 27 is a rear elevational view thereof;
FIG. 28 is a left side elevational view thereof;
FIG. 29 is a right side elevational view thereof; and,
FIG. 30 is a top plan view thereof.
The bottom view of each of the above embodiments of the design is not visible in its normal state or state of intended use, and has therefore been omitted and disclaimed.

1 Claim, 20 Drawing Sheets



(56)

References Cited

U.S. PATENT DOCUMENTS

D484,024 S * 12/2003 Teskey D8/331
6,720,861 B1 * 4/2004 Rodenbeck G07C 9/00103
340/5.6
D501,449 S * 2/2005 Thomas, Jr. D13/169
D563,764 S * 3/2008 Hacker D8/331
D576,019 S * 9/2008 Kim D8/331
7,712,343 B2 * 5/2010 Smith E05B 13/004
292/359
8,312,748 B2 * 11/2012 Bundy E05B 13/00
70/416
8,674,832 B1 * 3/2014 Thomas E05B 45/06
292/346
D710,675 S * 8/2014 Kiechel D8/331
8,869,574 B2 * 10/2014 Schmidt-Lackner . E05B 17/147
292/244
8,931,315 B2 * 1/2015 Frolov E05B 47/0692
70/222

* cited by examiner

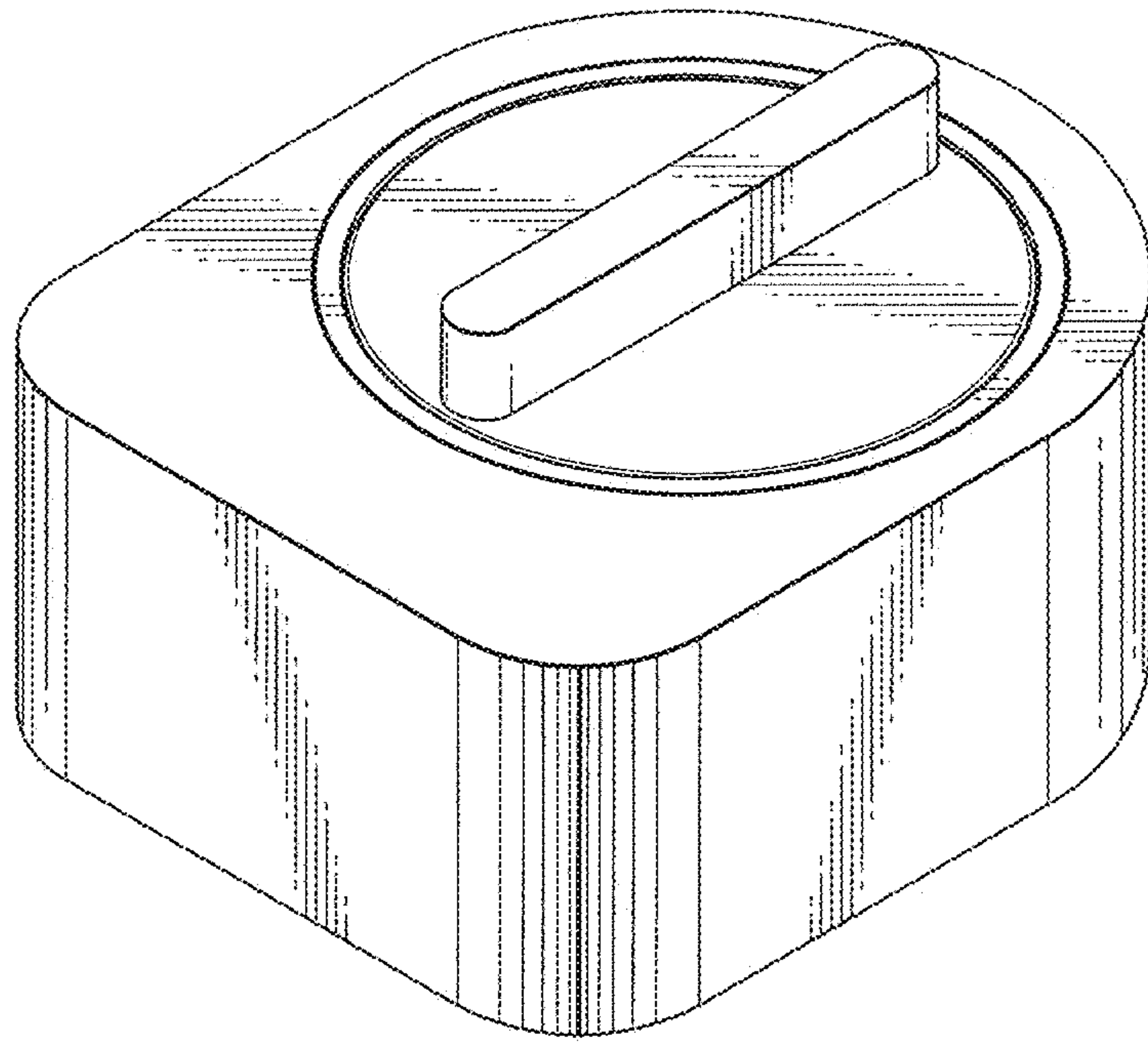


FIG. 1

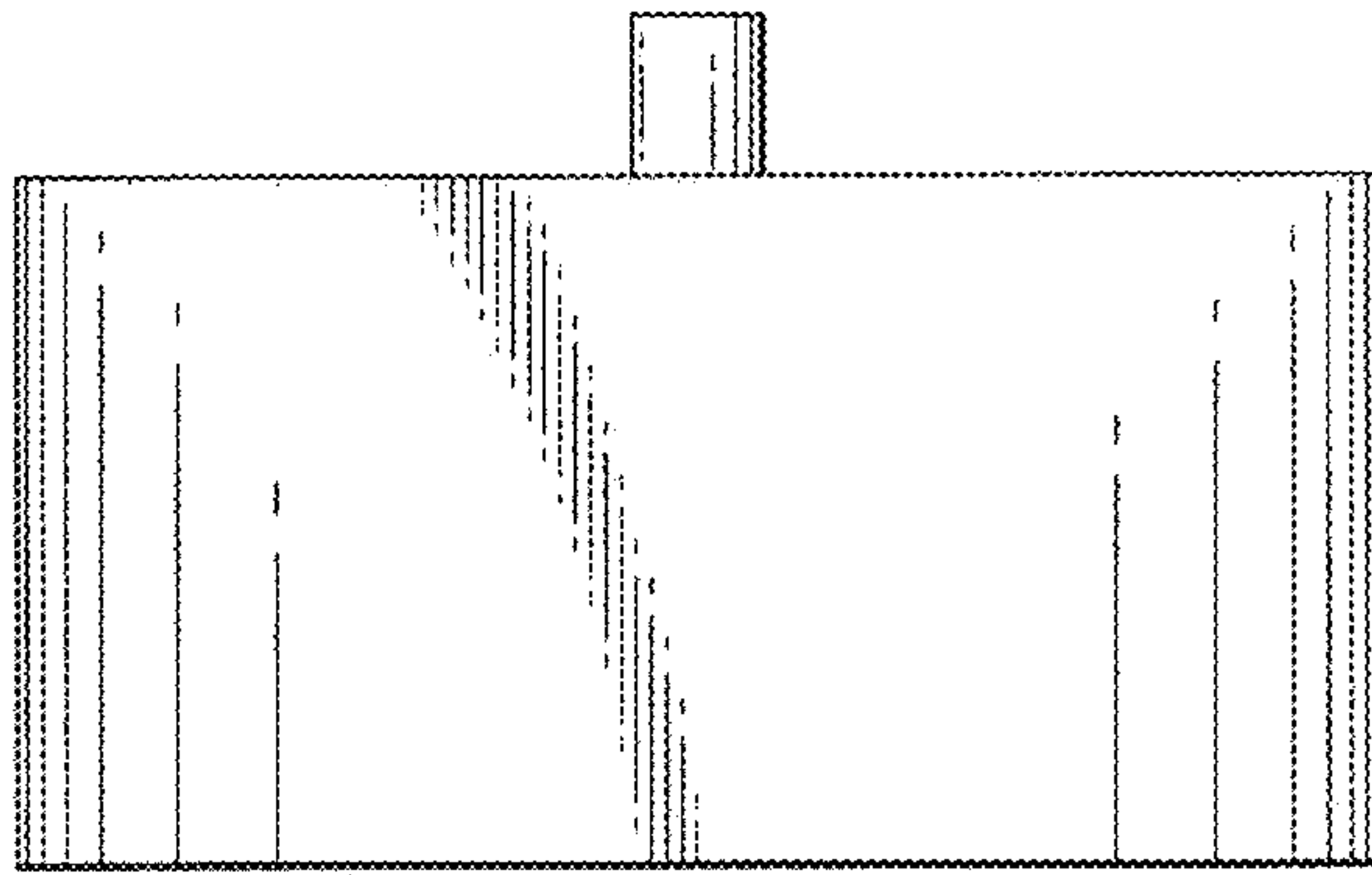


FIG. 2

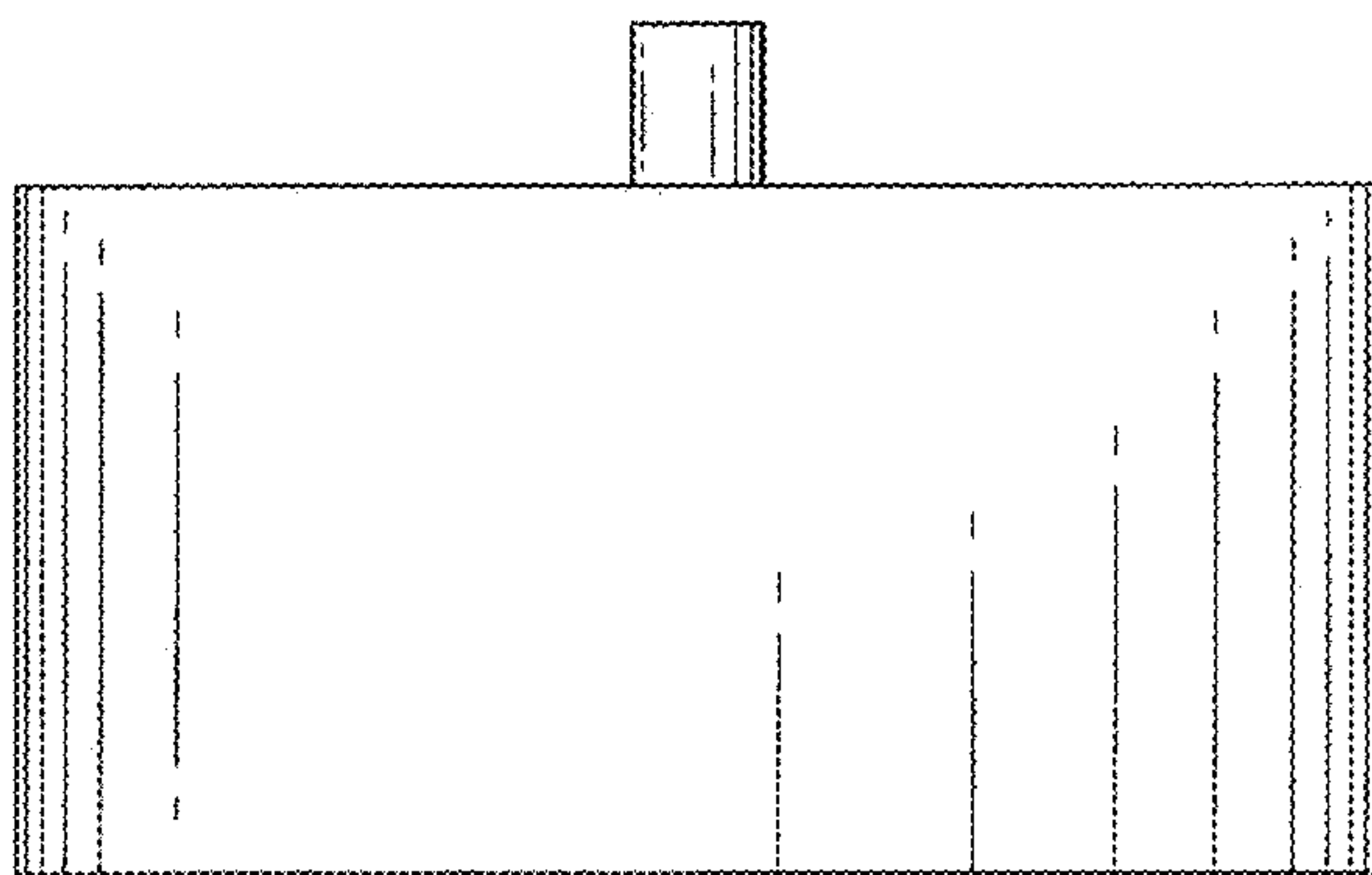


FIG. 3

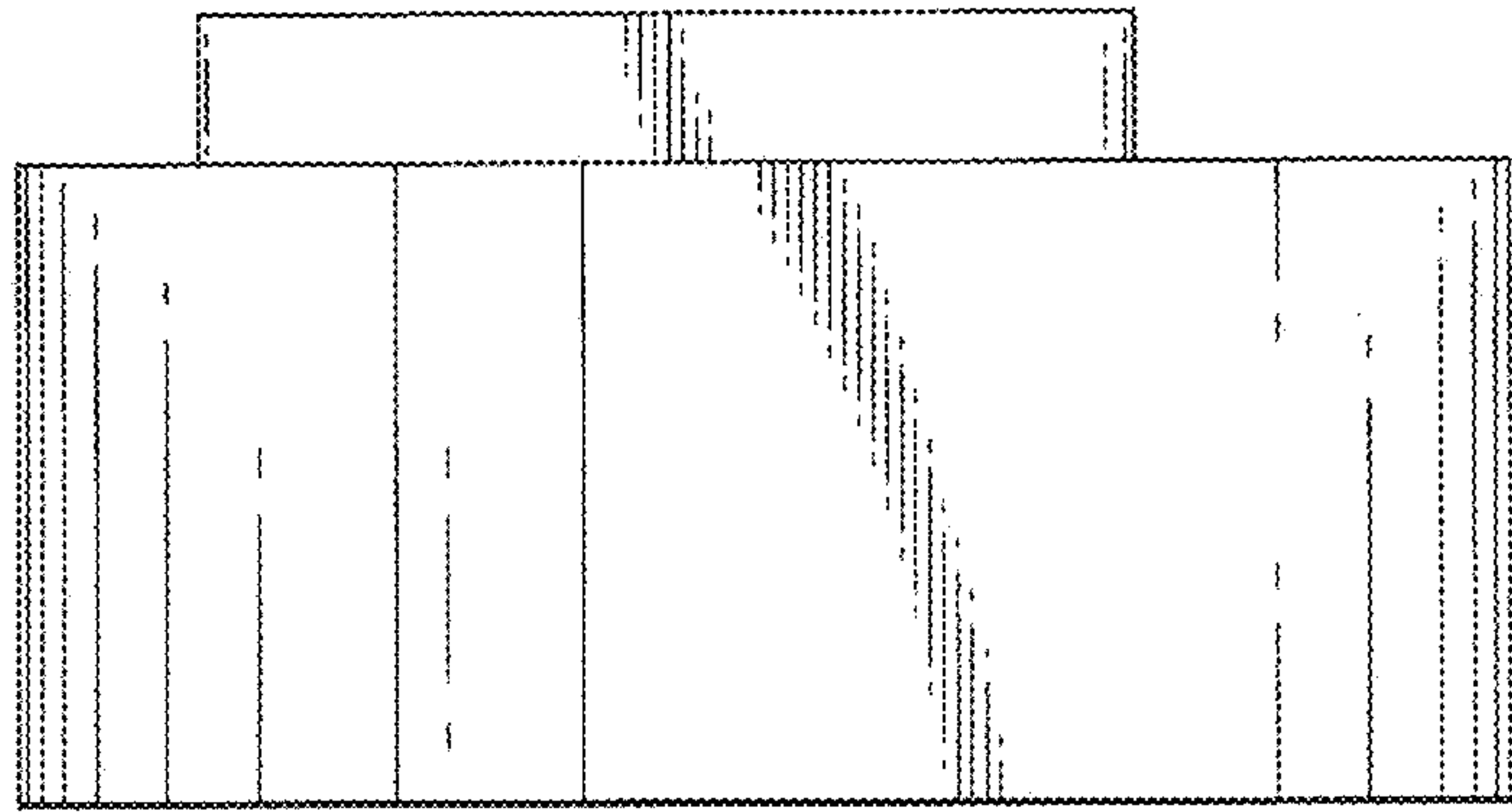


FIG. 4

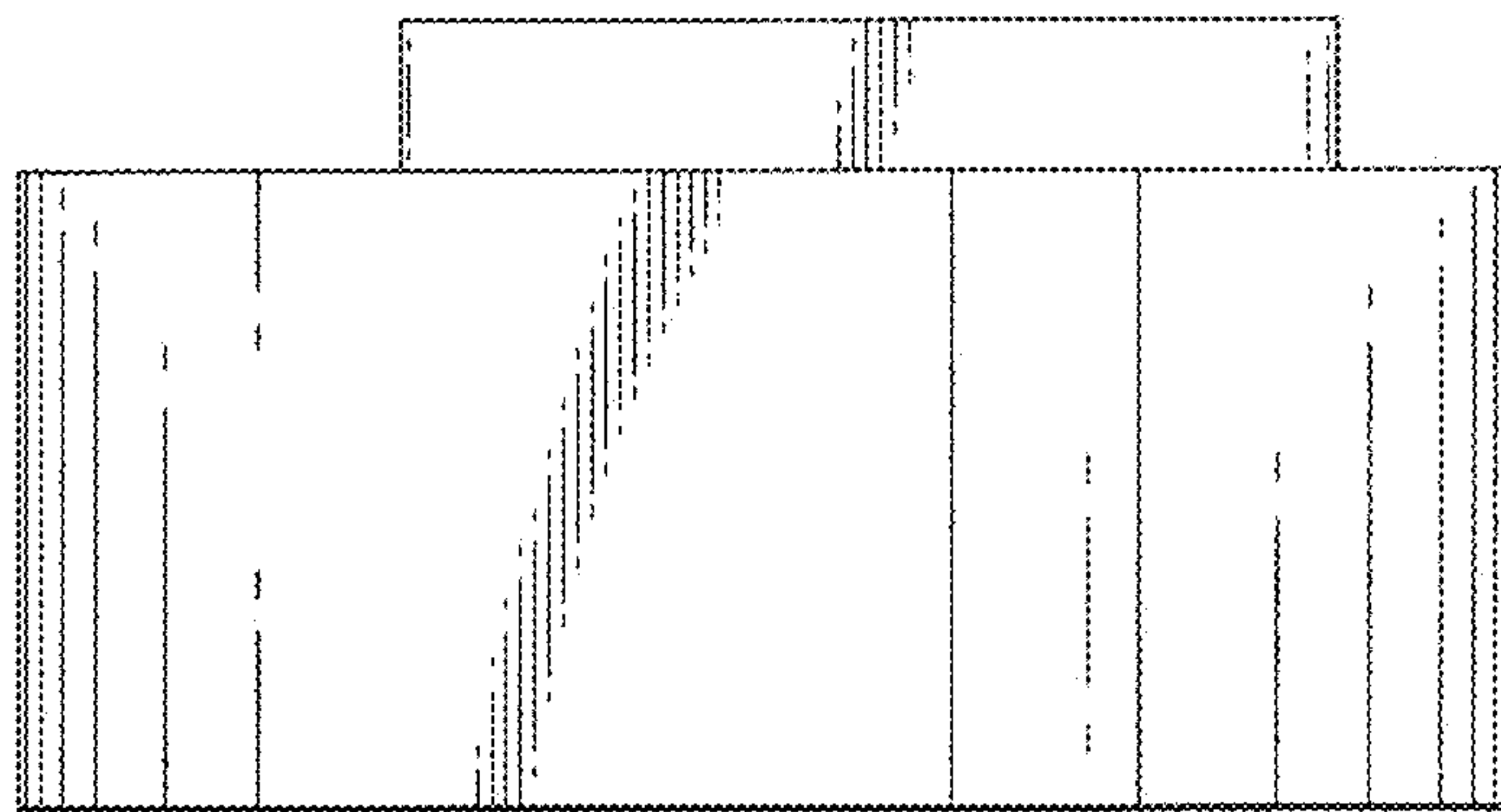


FIG. 5

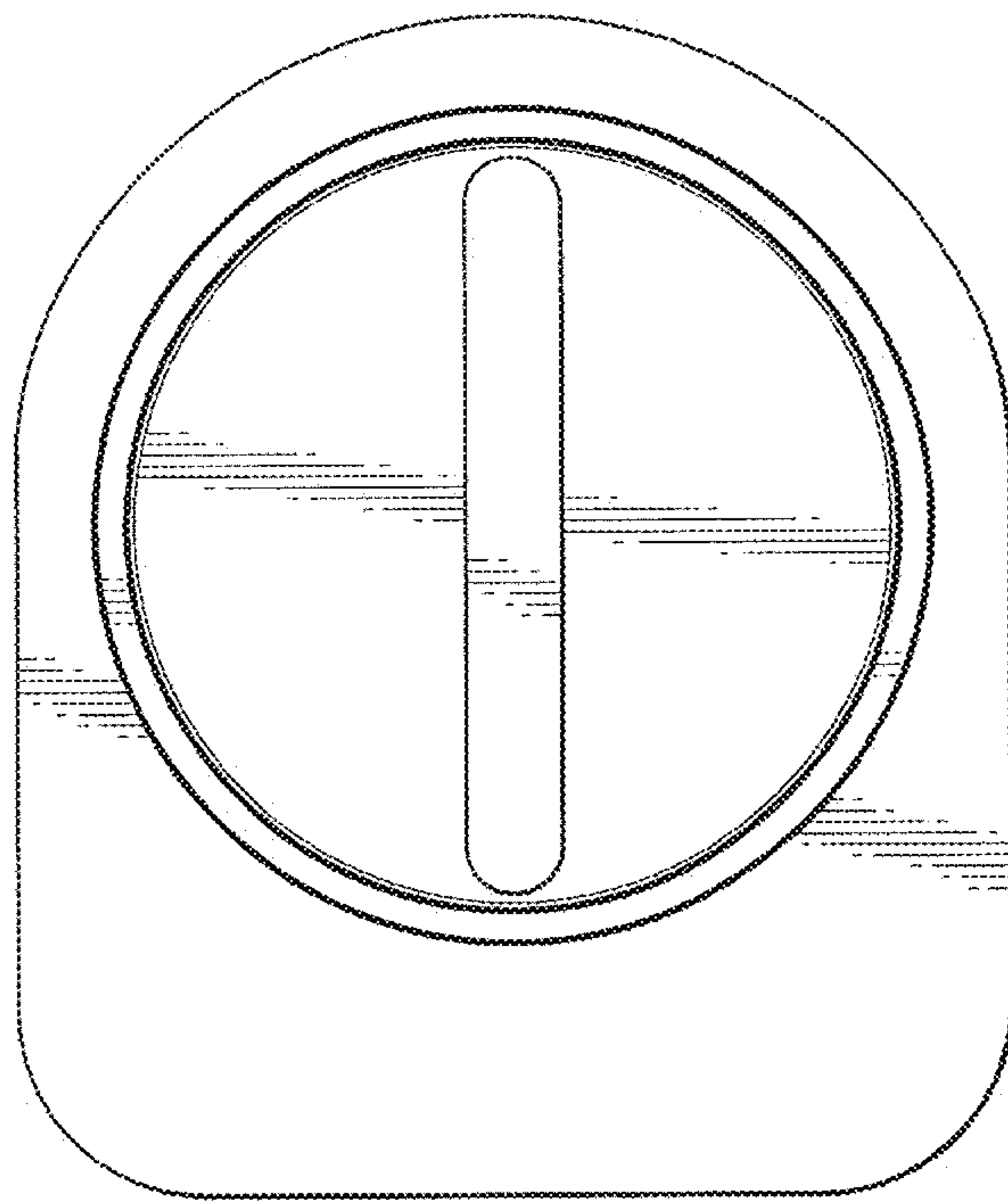


FIG. 6

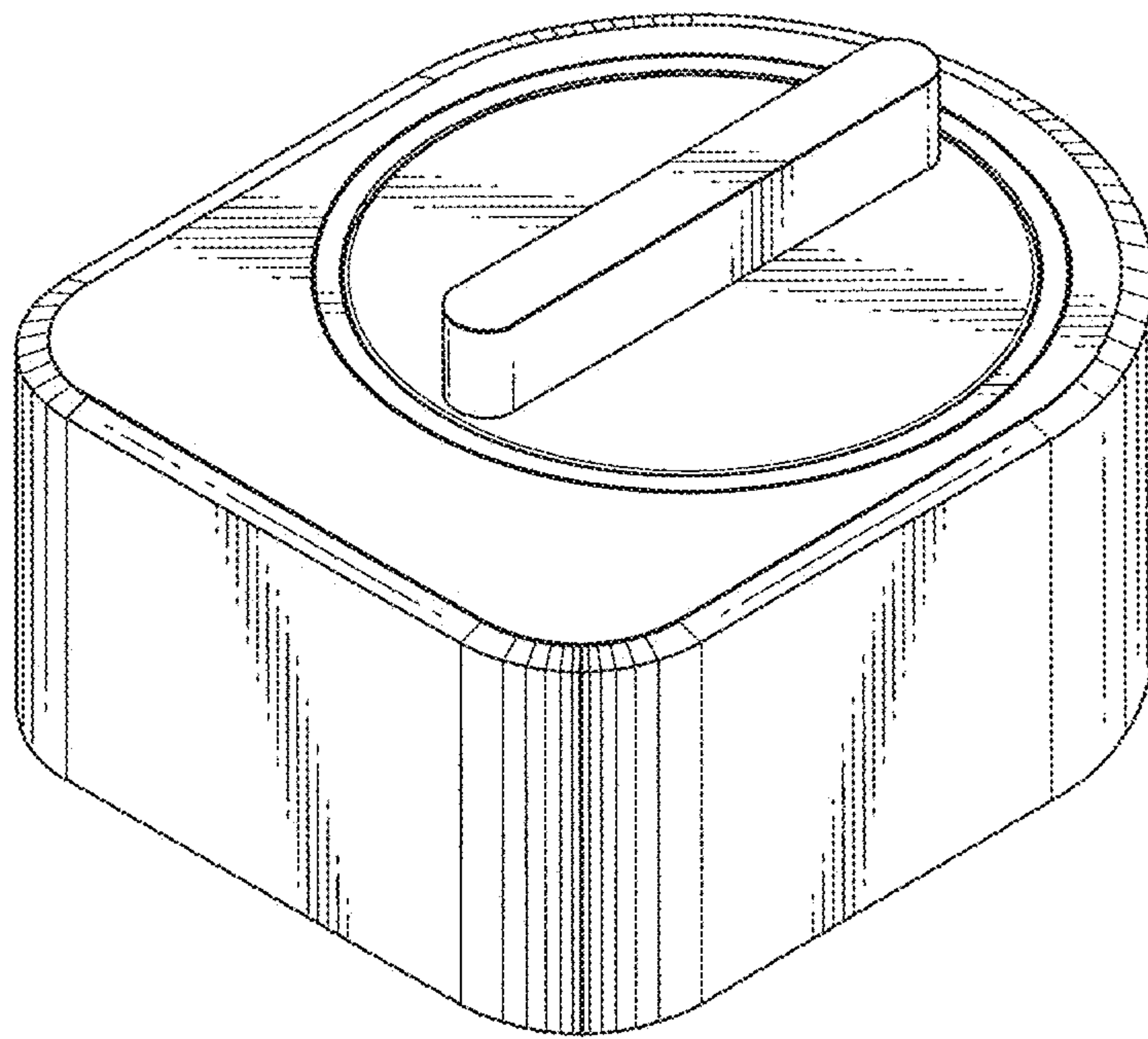


FIG. 7

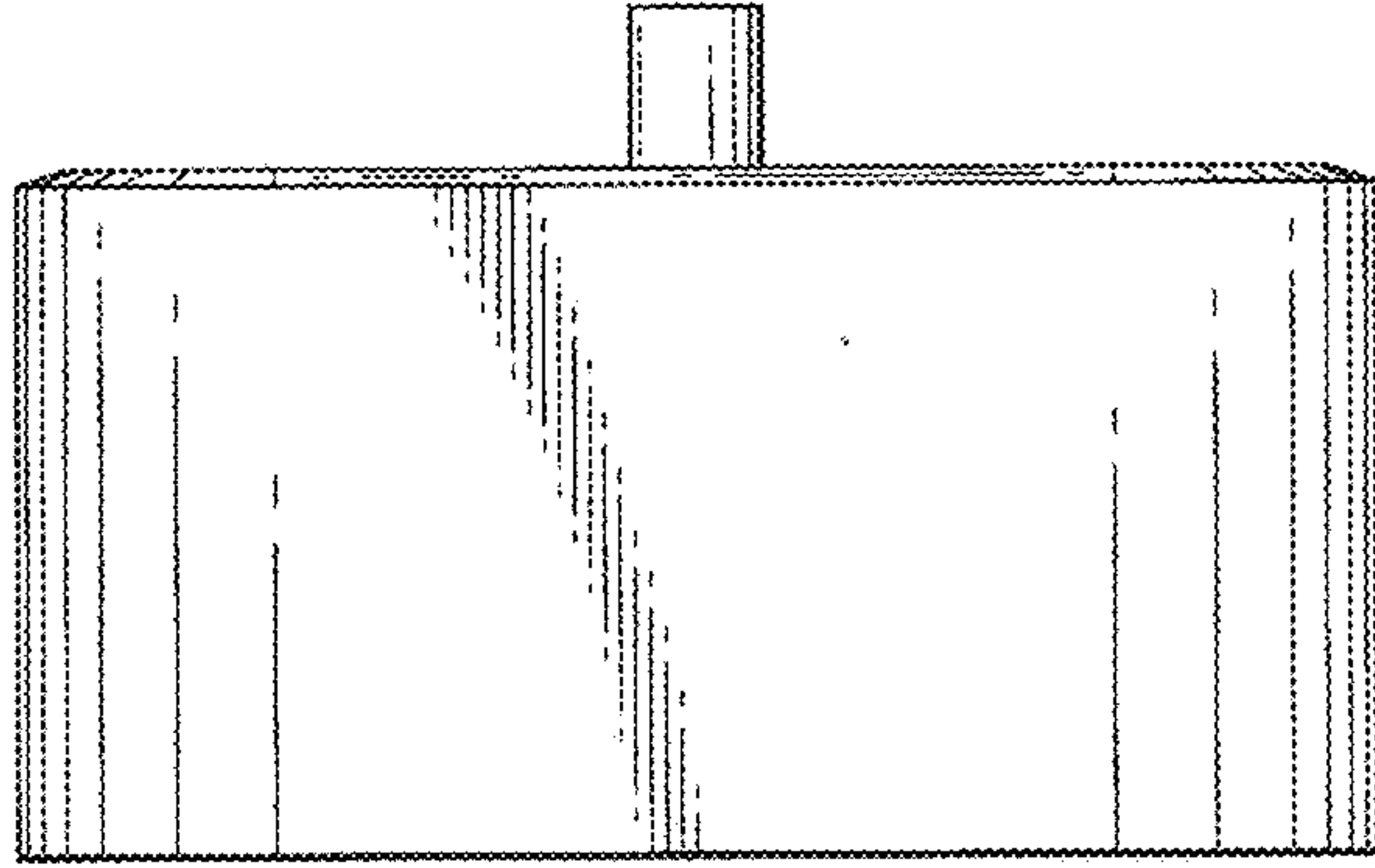


FIG. 8

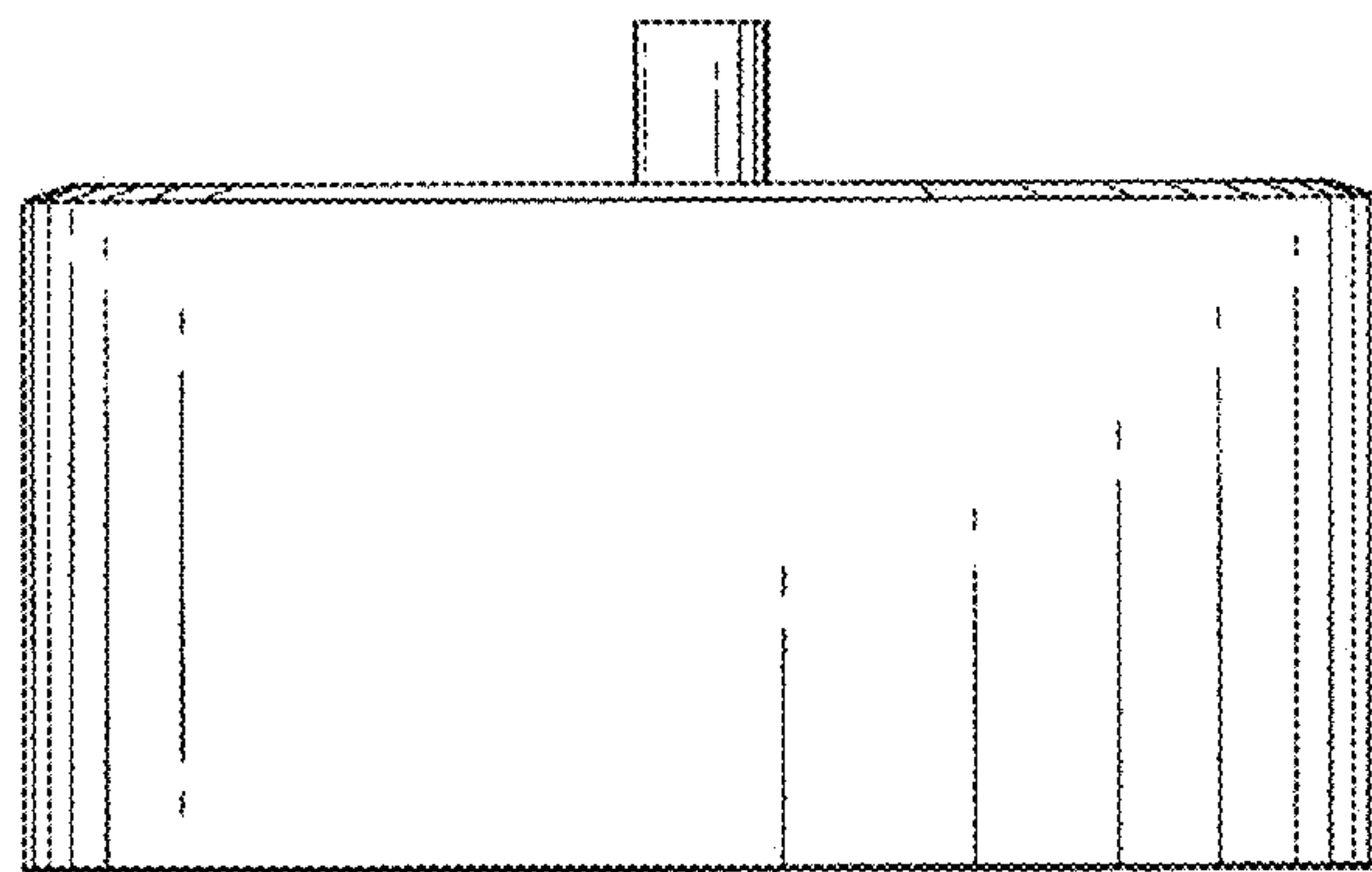


FIG. 9

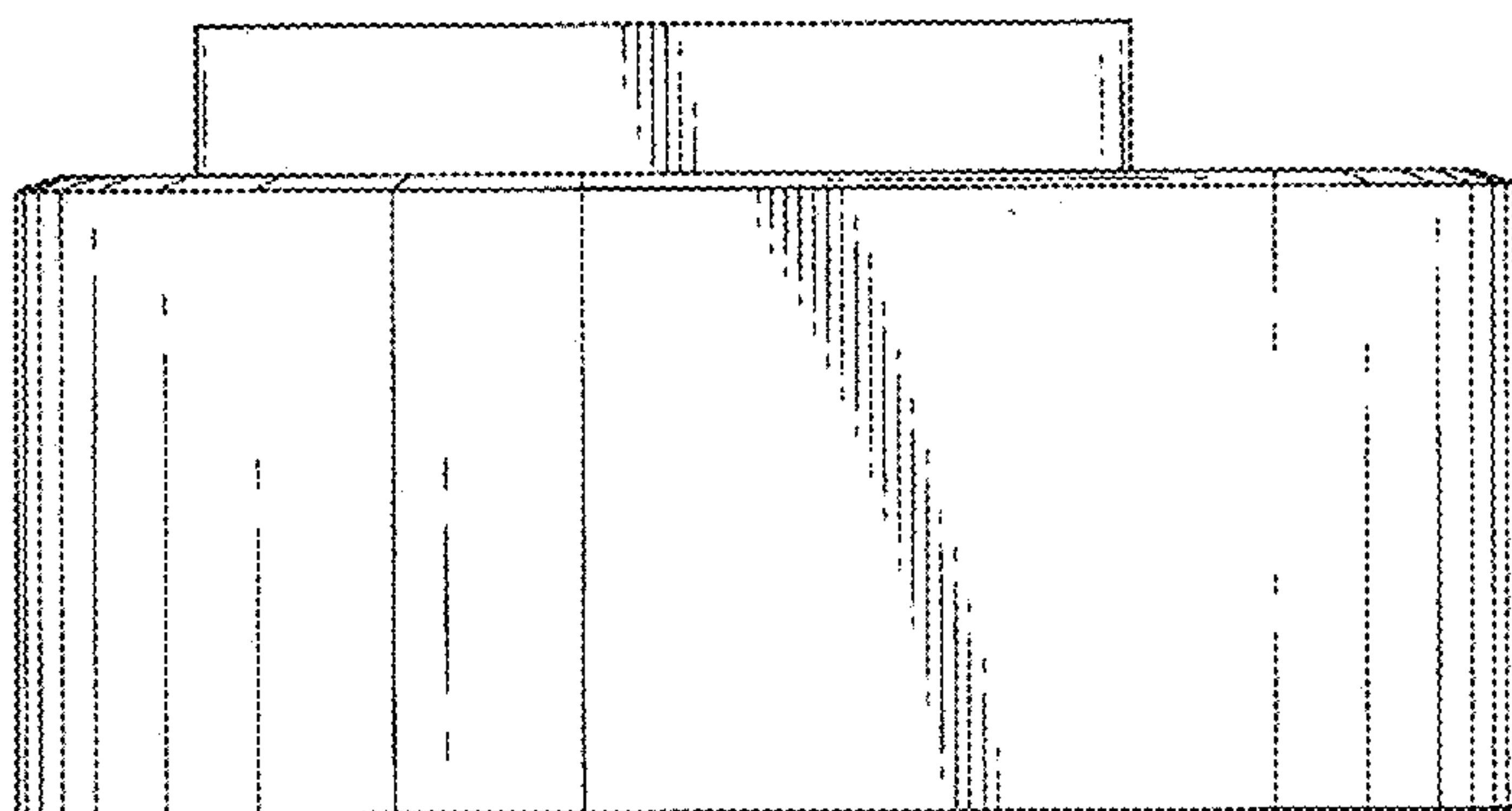


FIG. 10

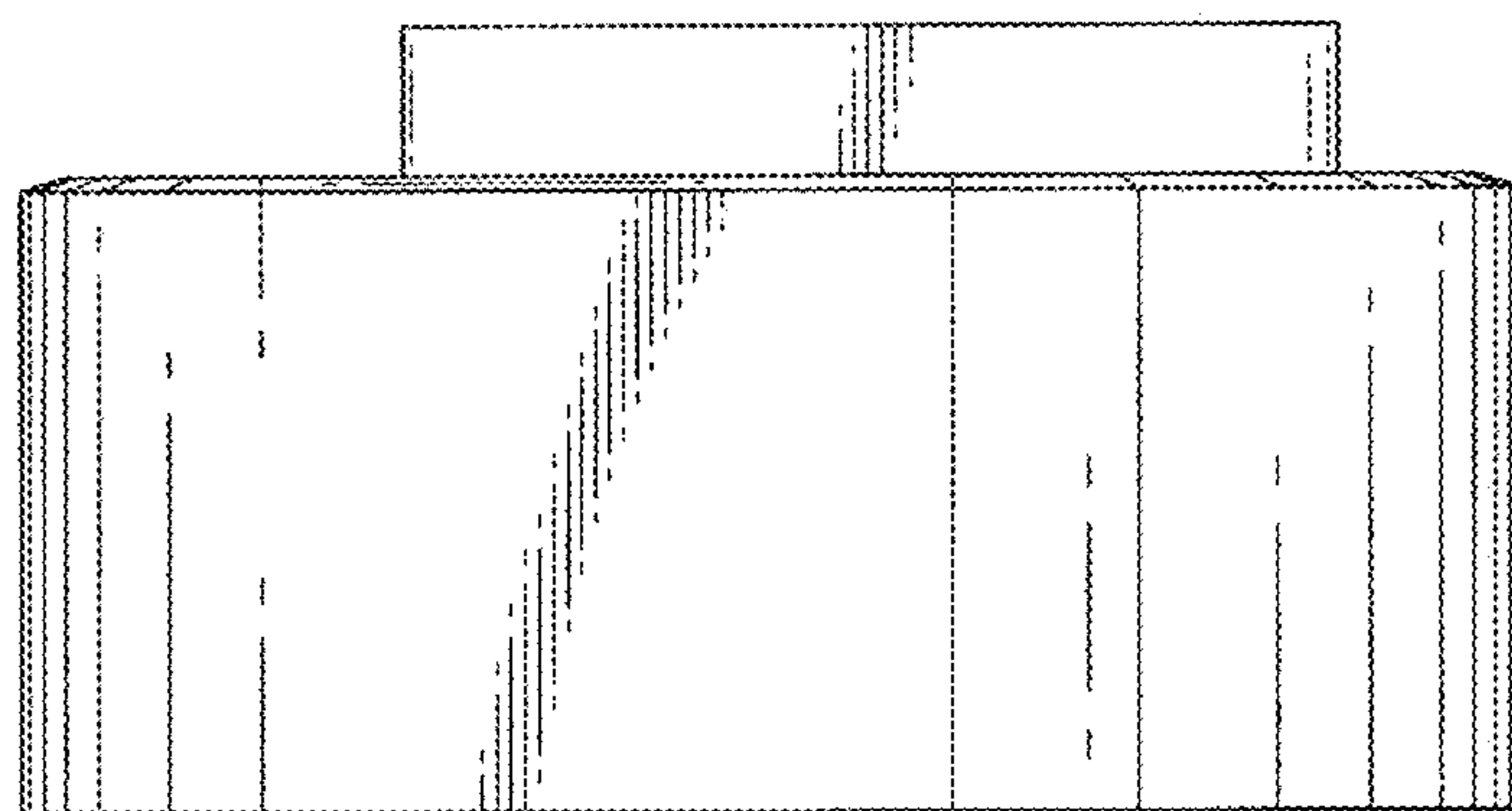


FIG. 11

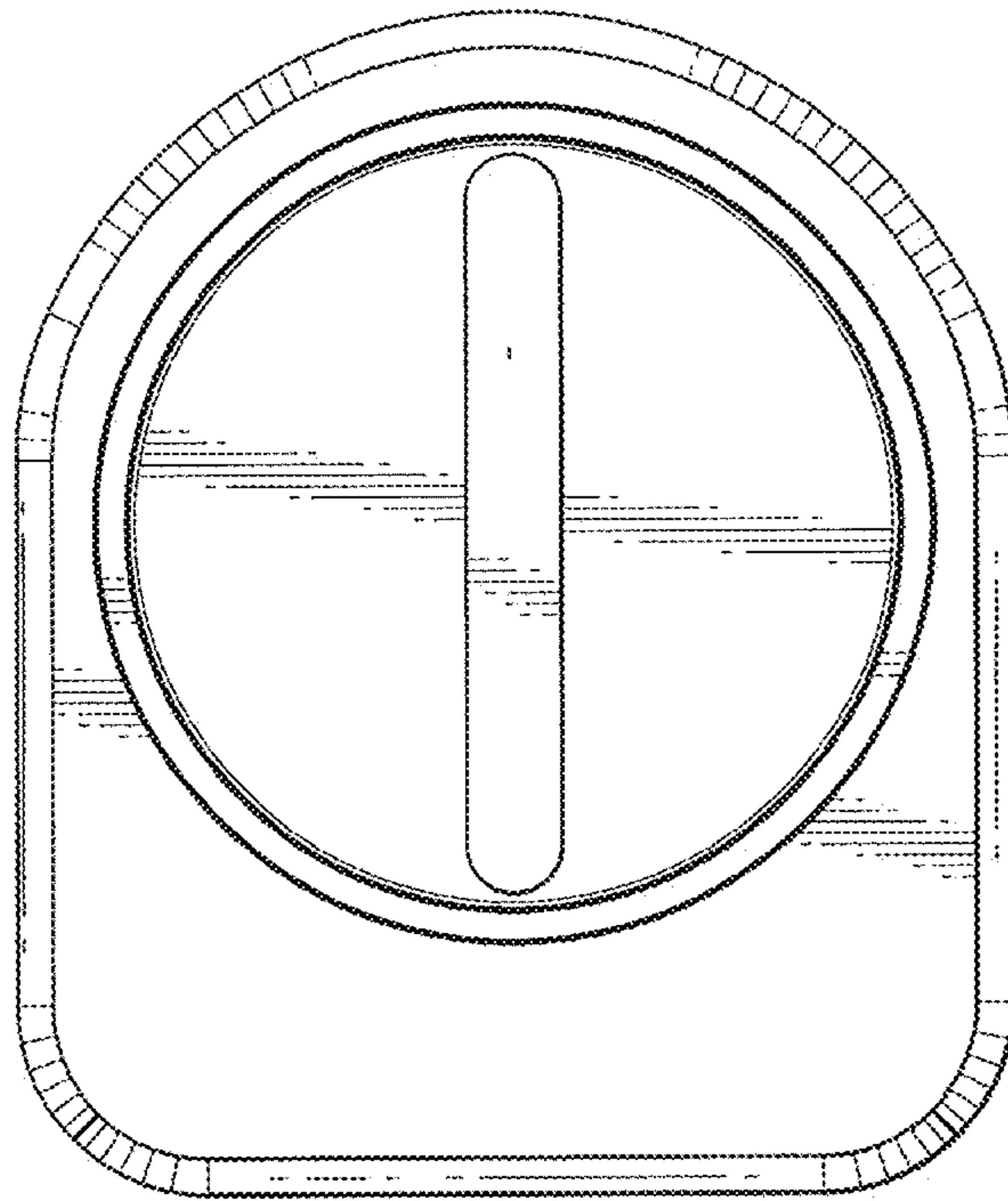


FIG. 12

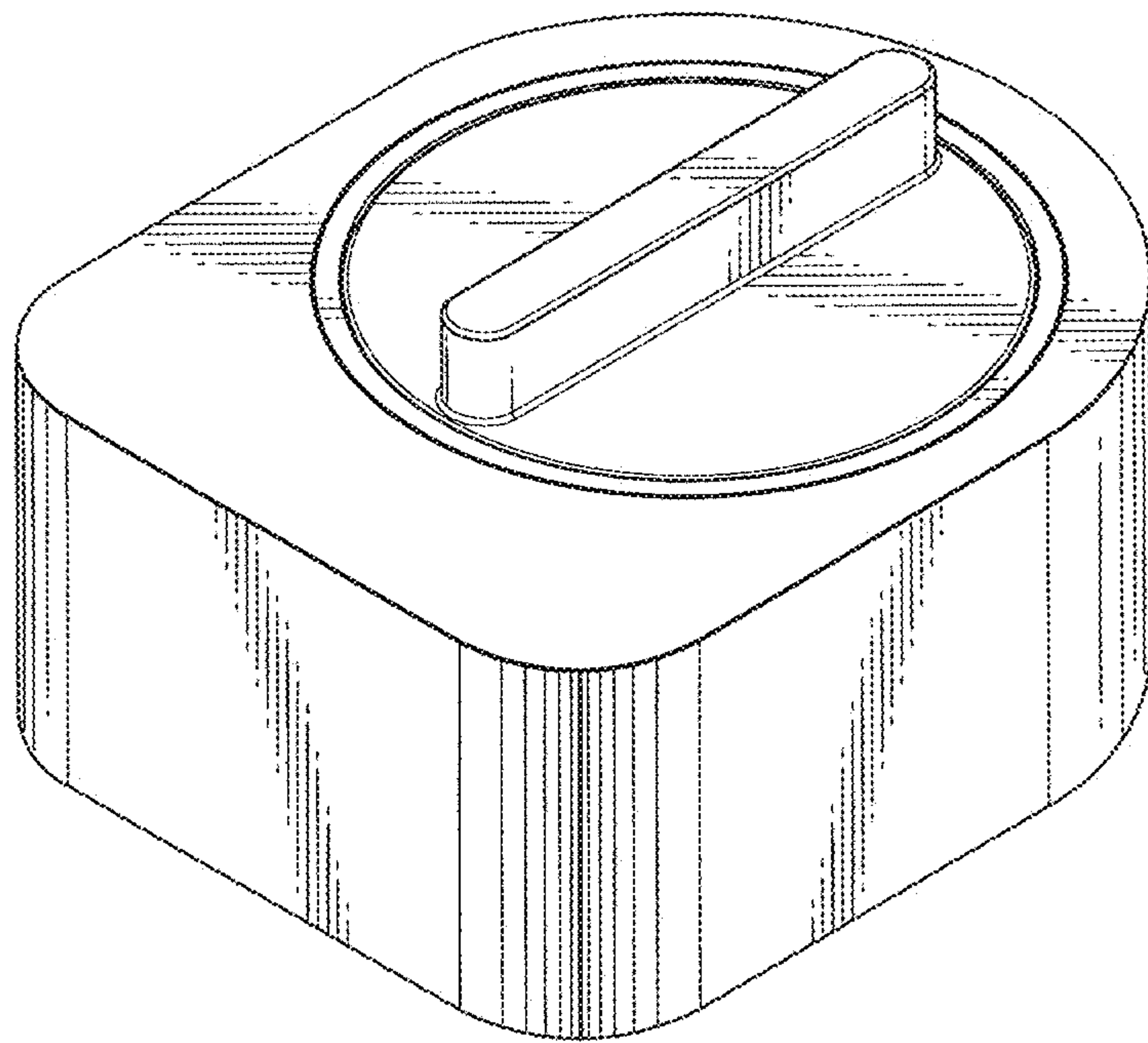


FIG. 13

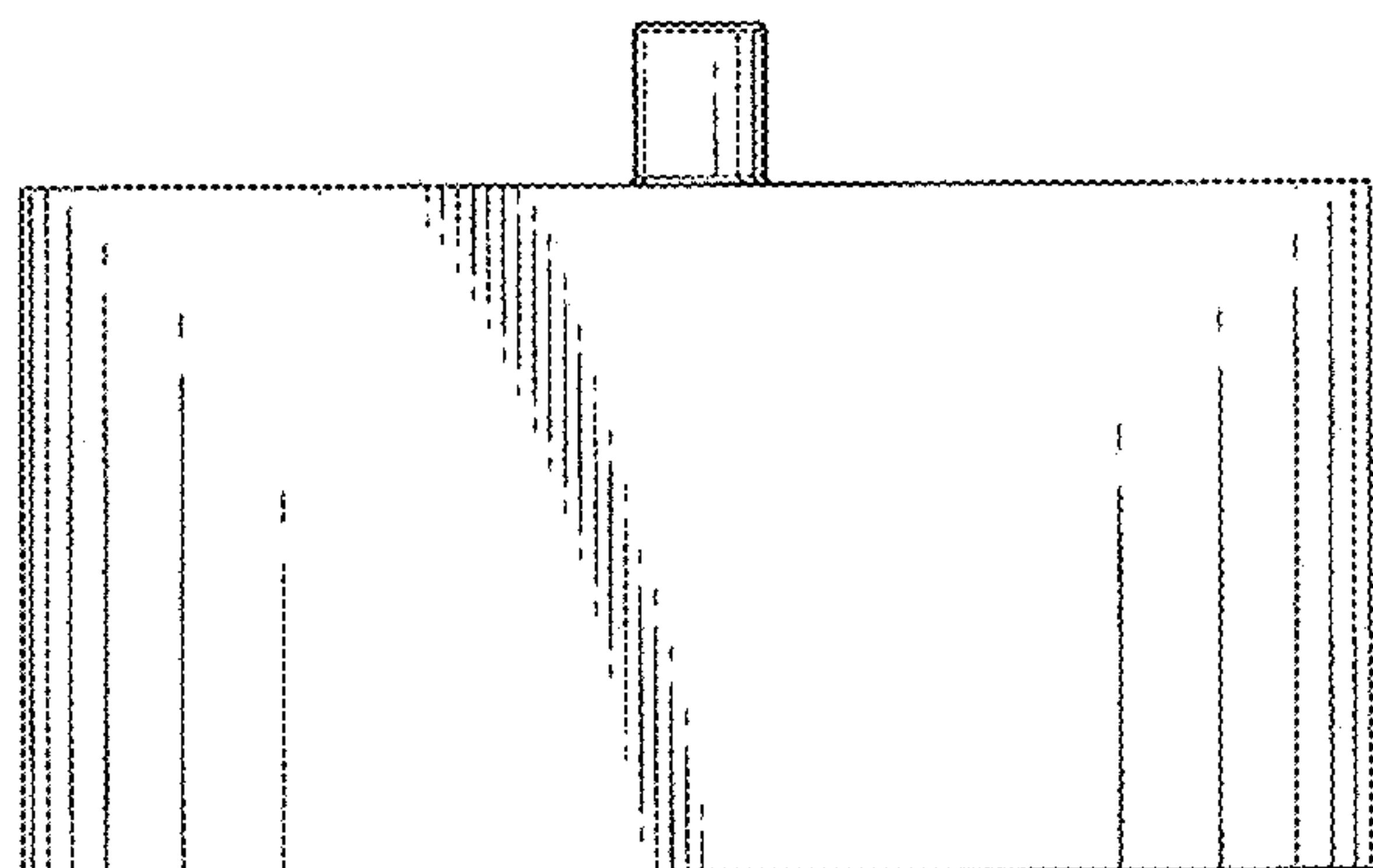


FIG. 14

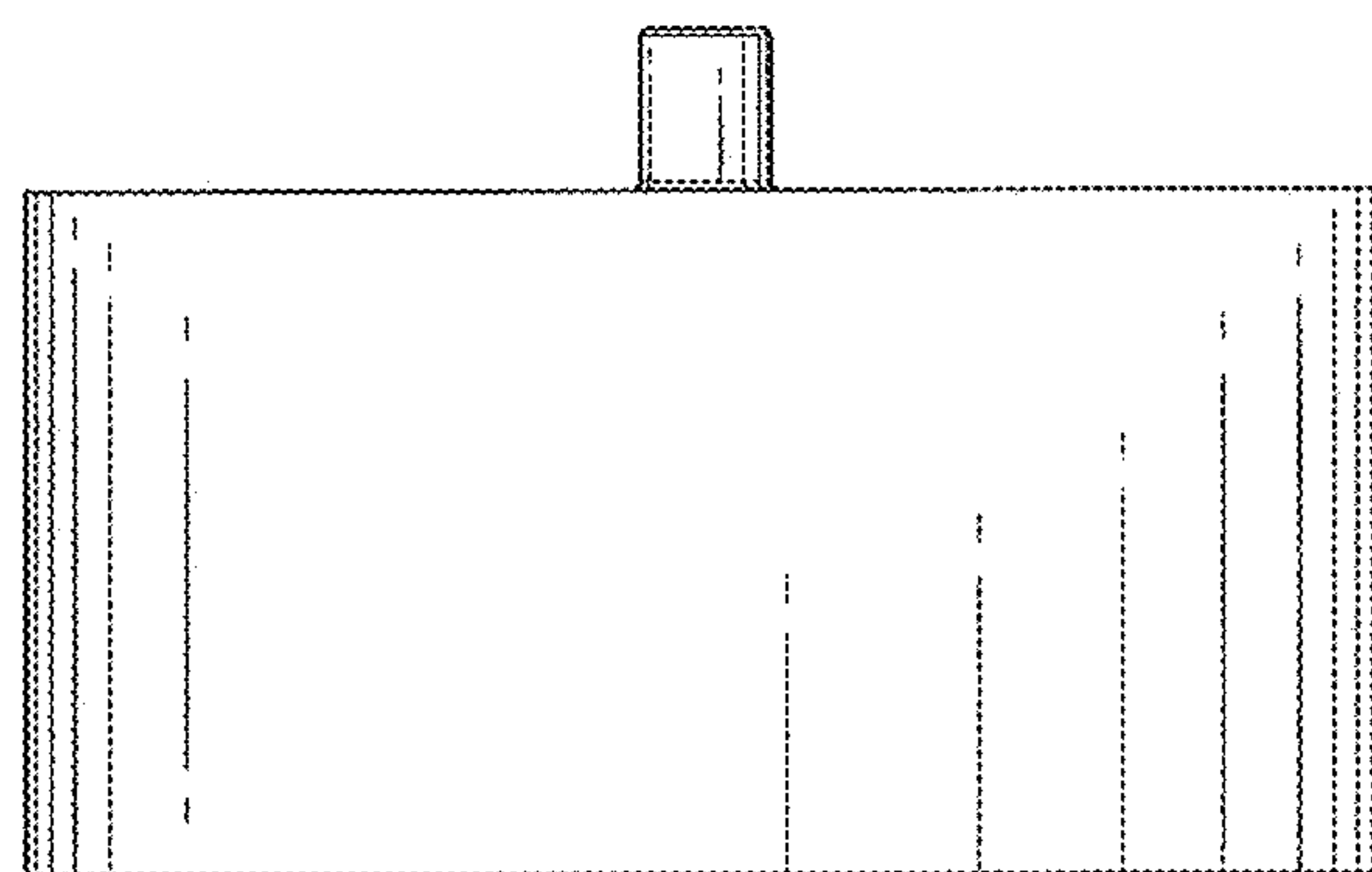


FIG. 15

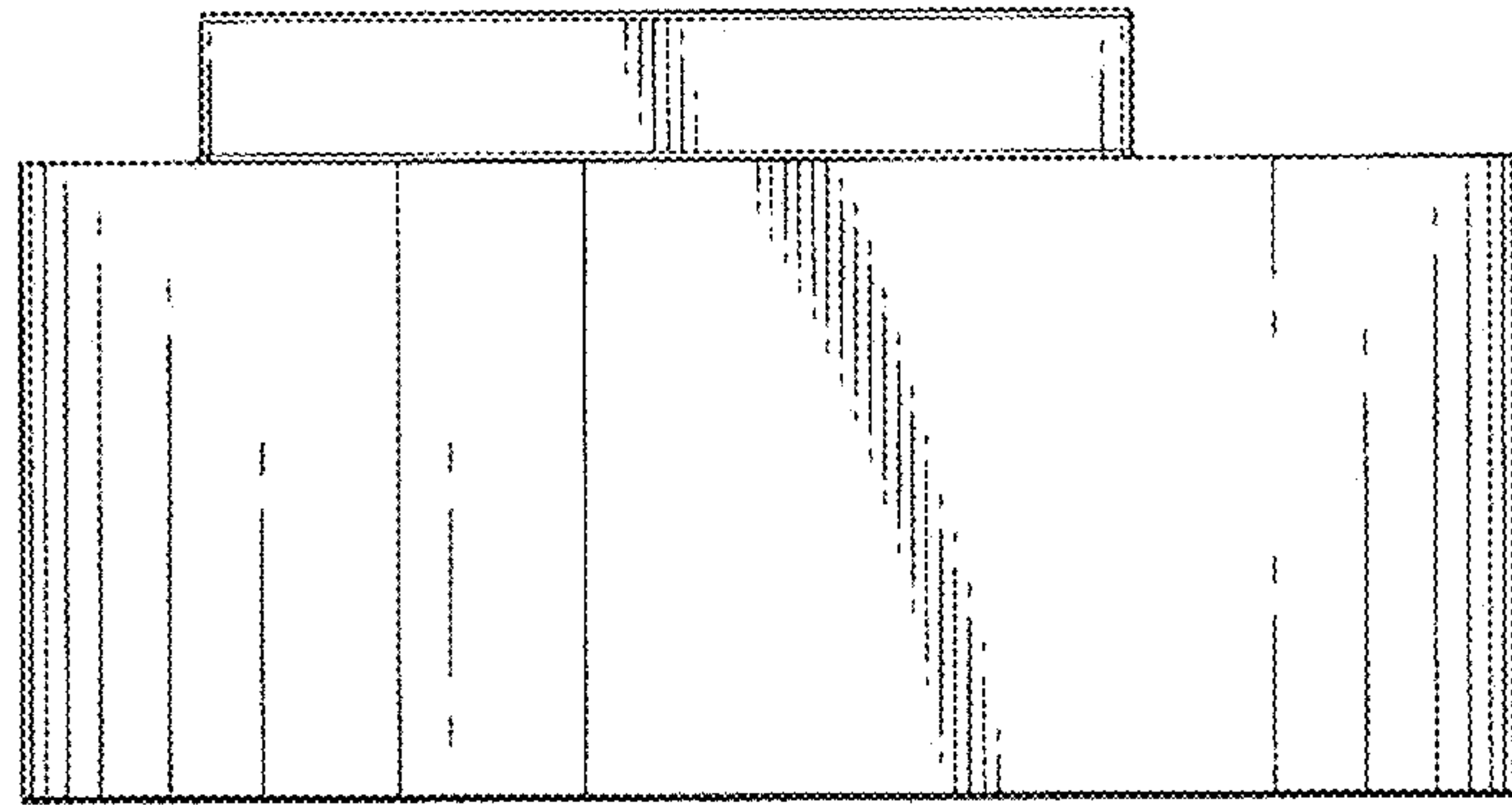


FIG. 16

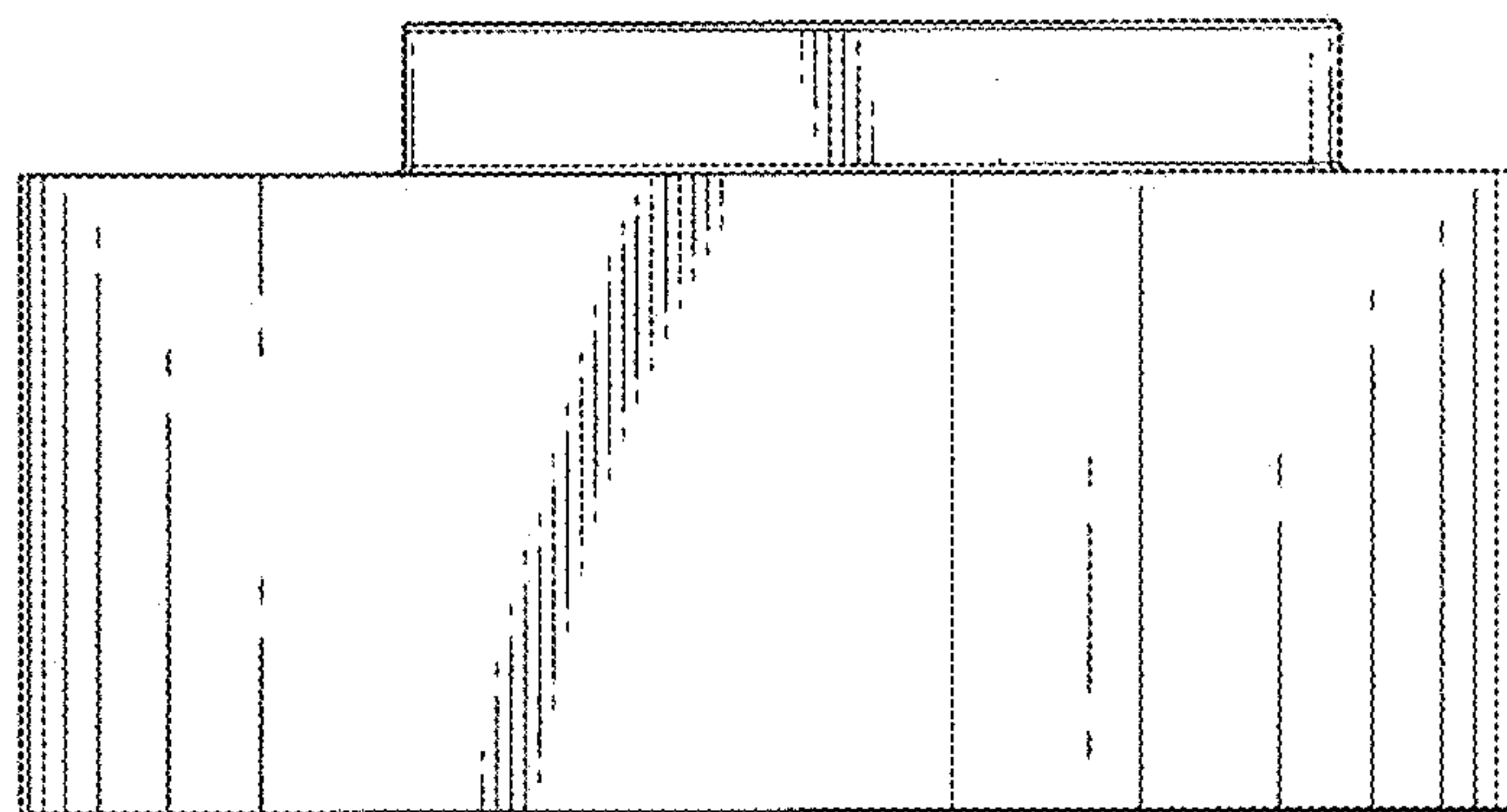


FIG. 17

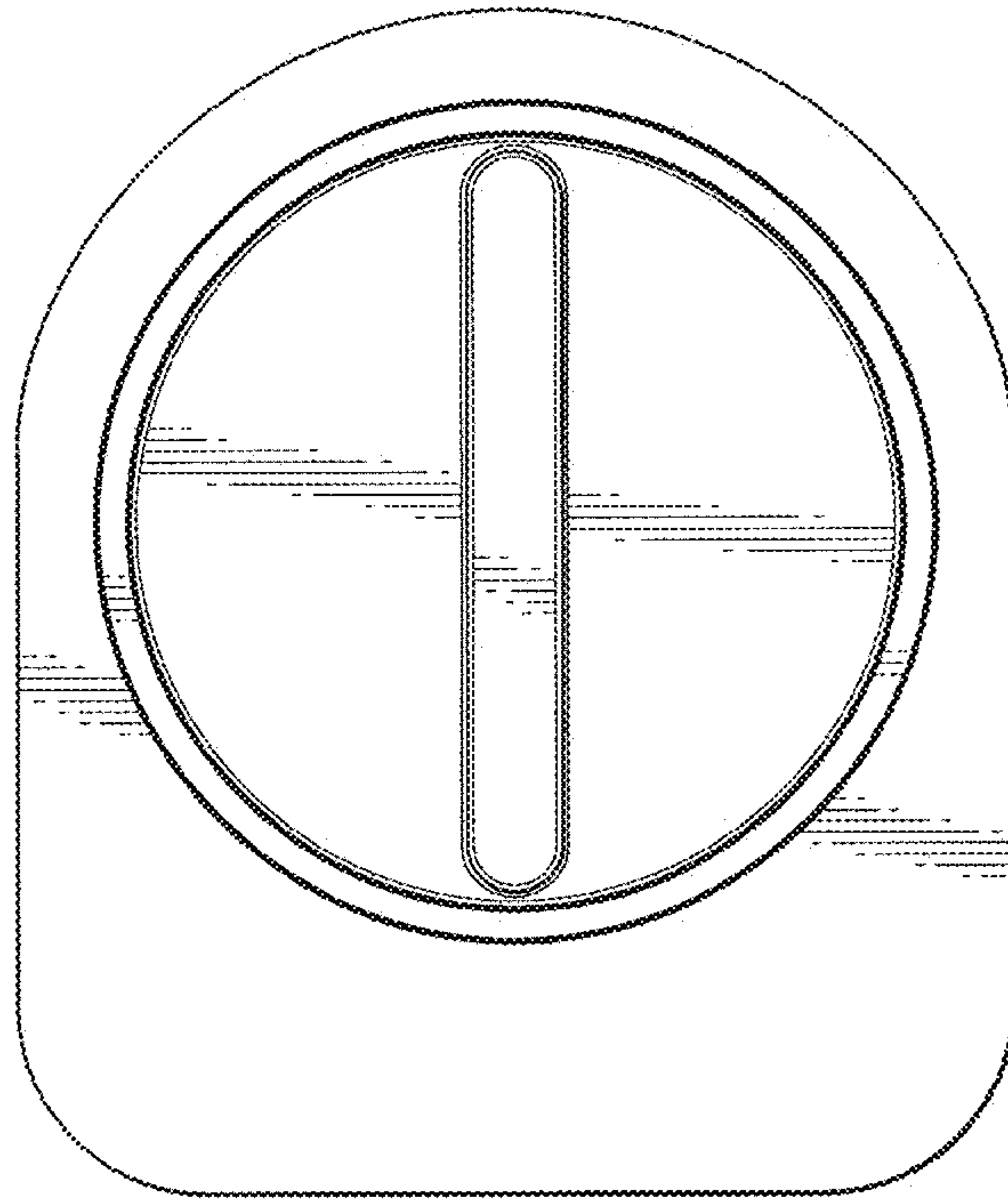


FIG. 18

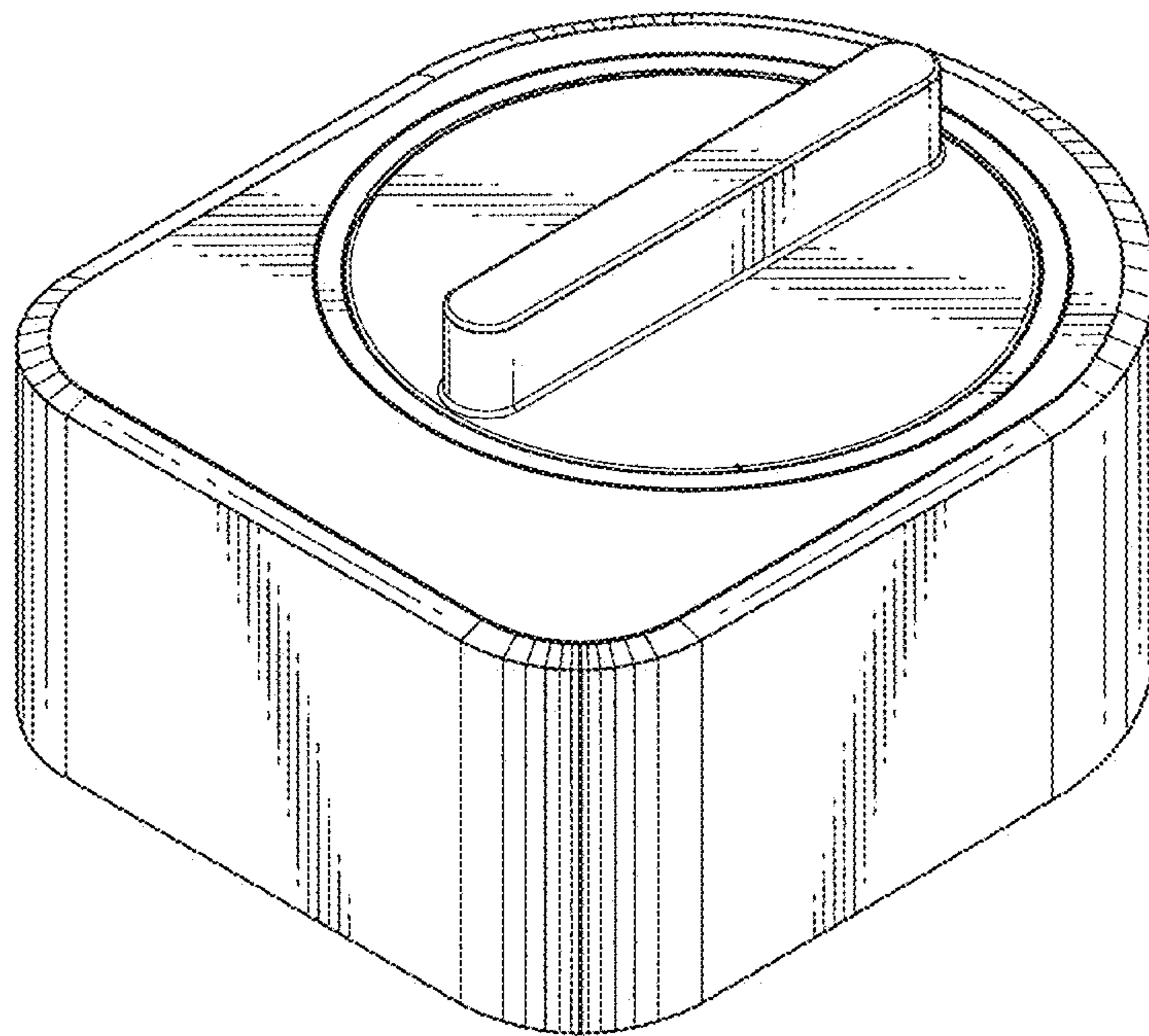


FIG. 19

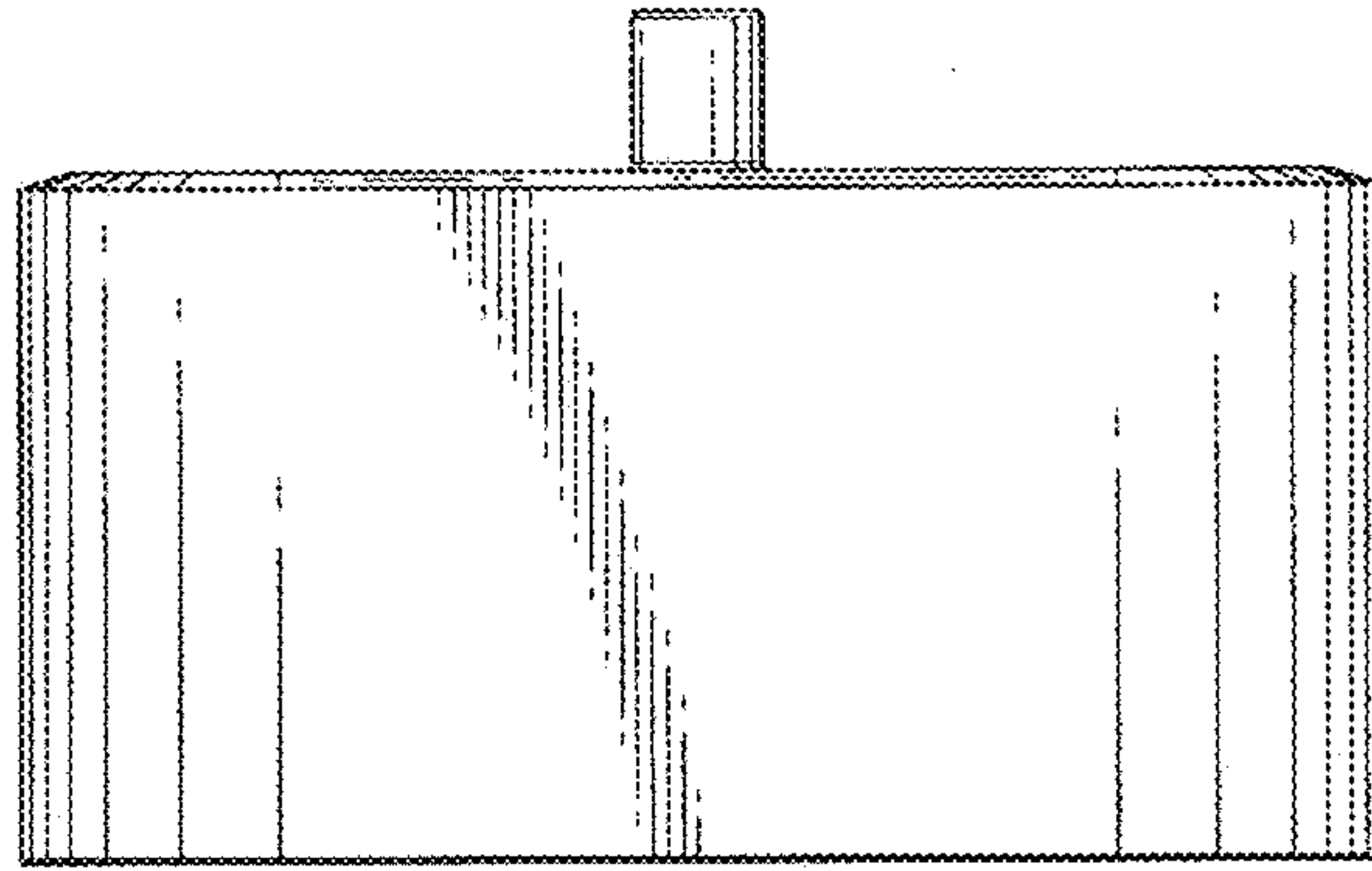


FIG. 20

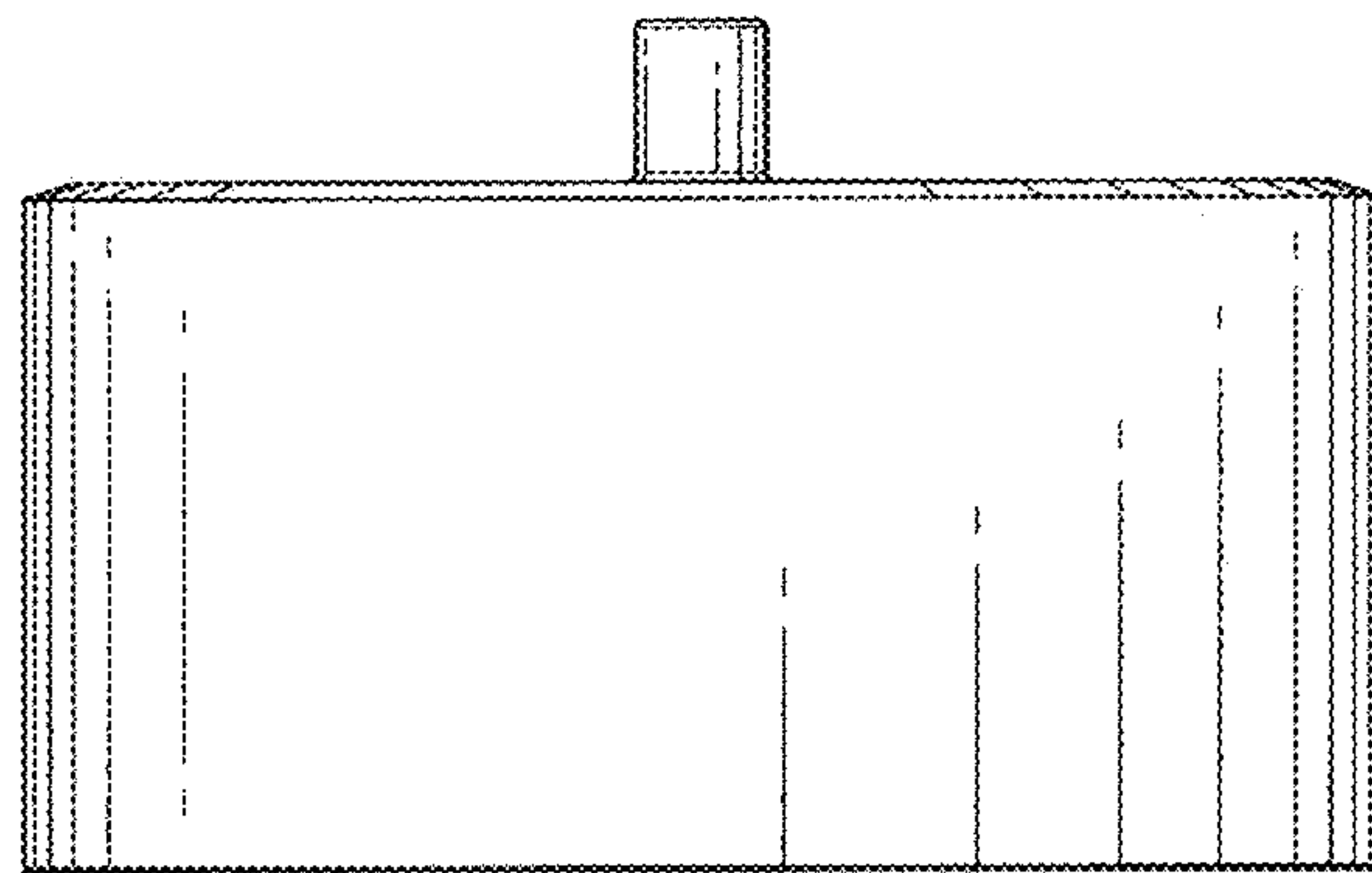


FIG. 21

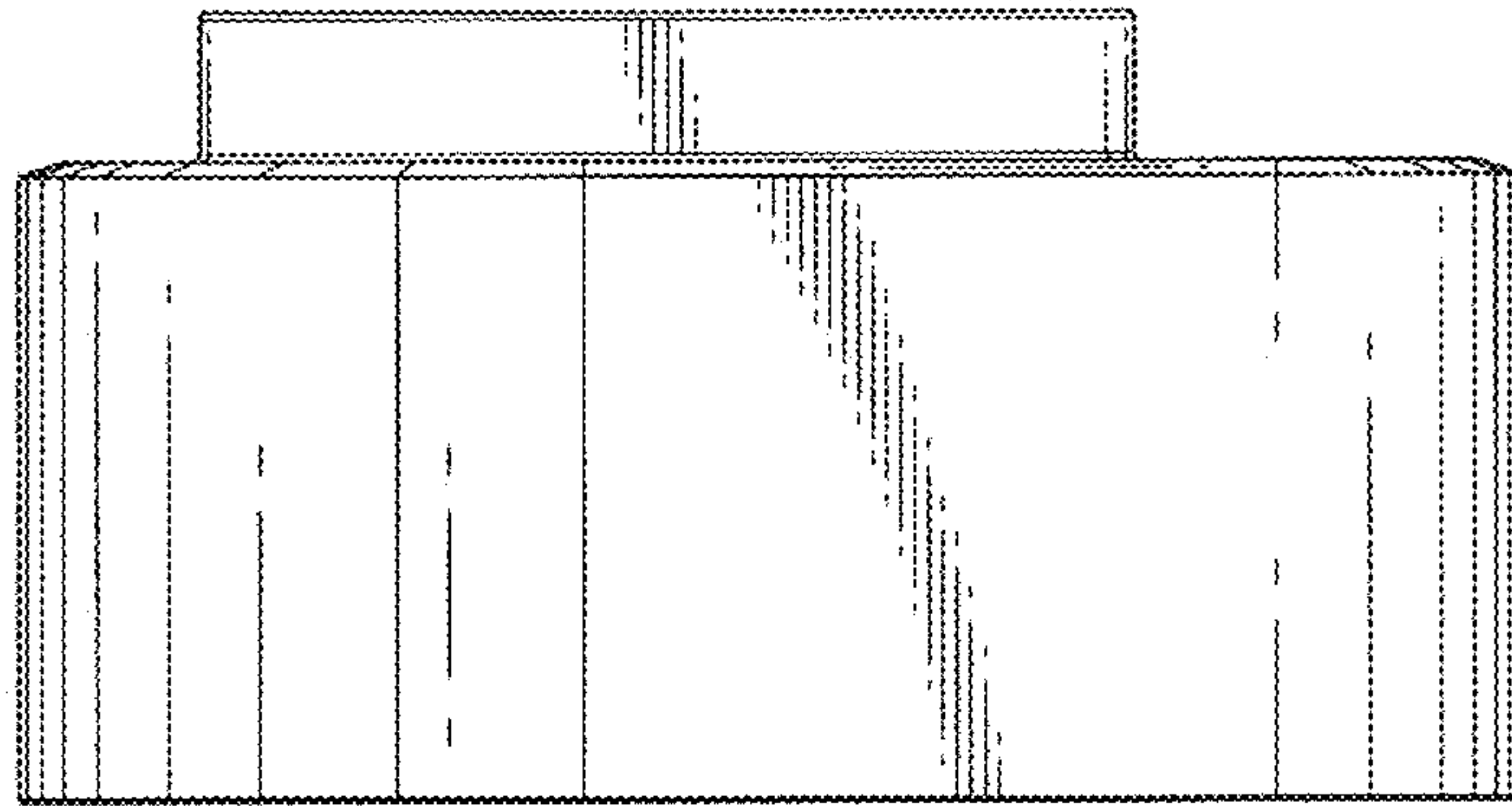


FIG. 22

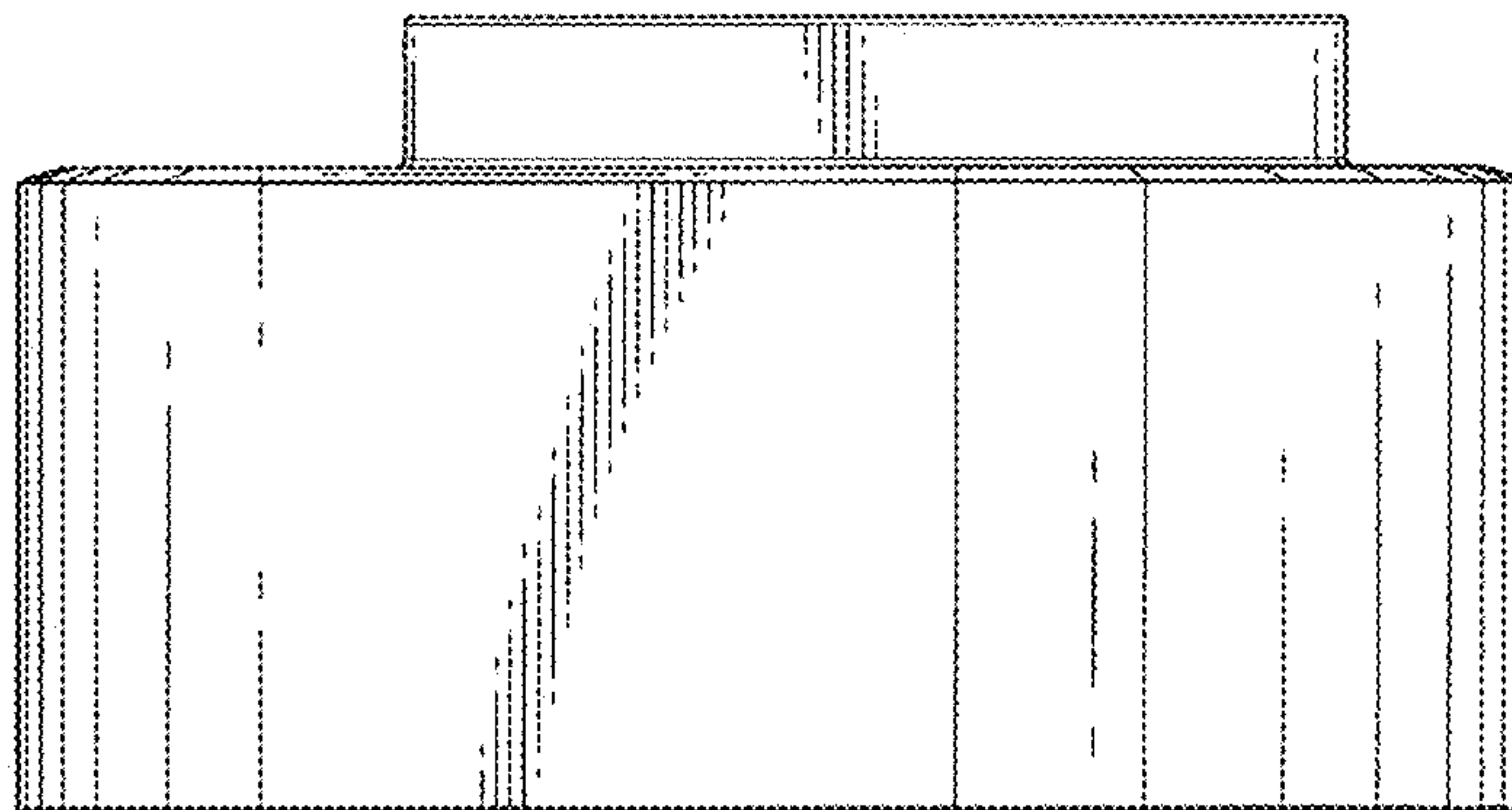


FIG. 23

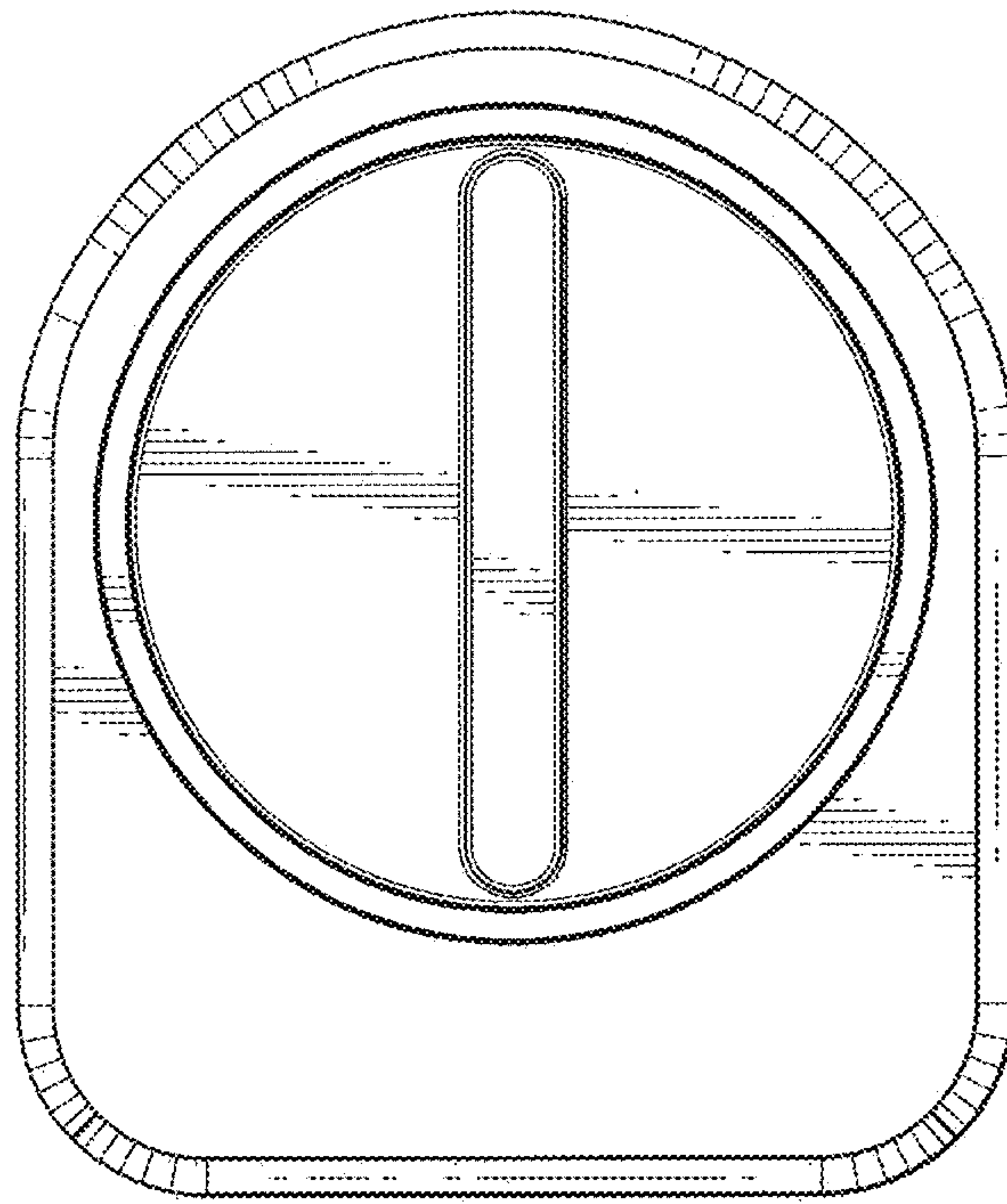


FIG. 24

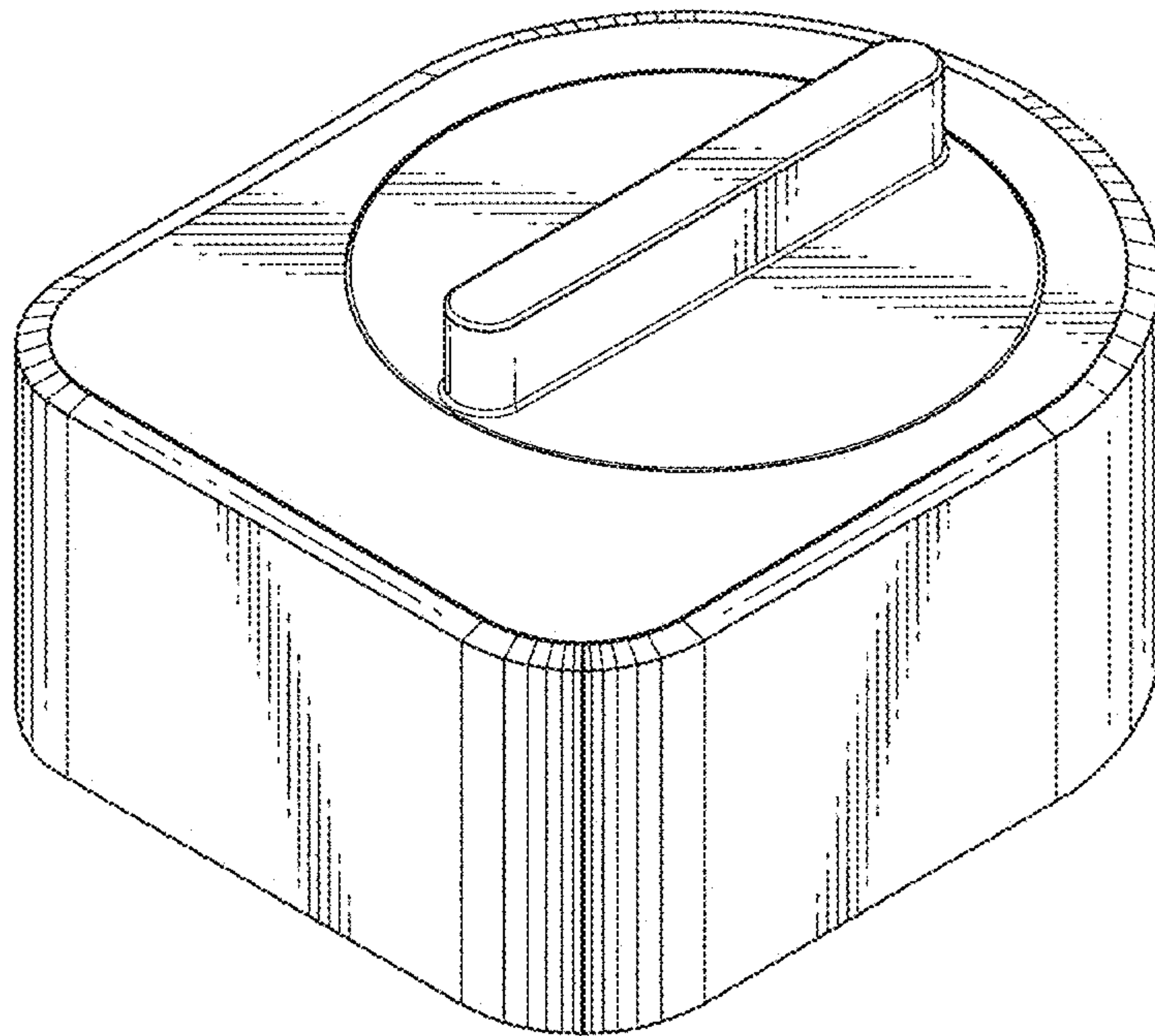


FIG. 25

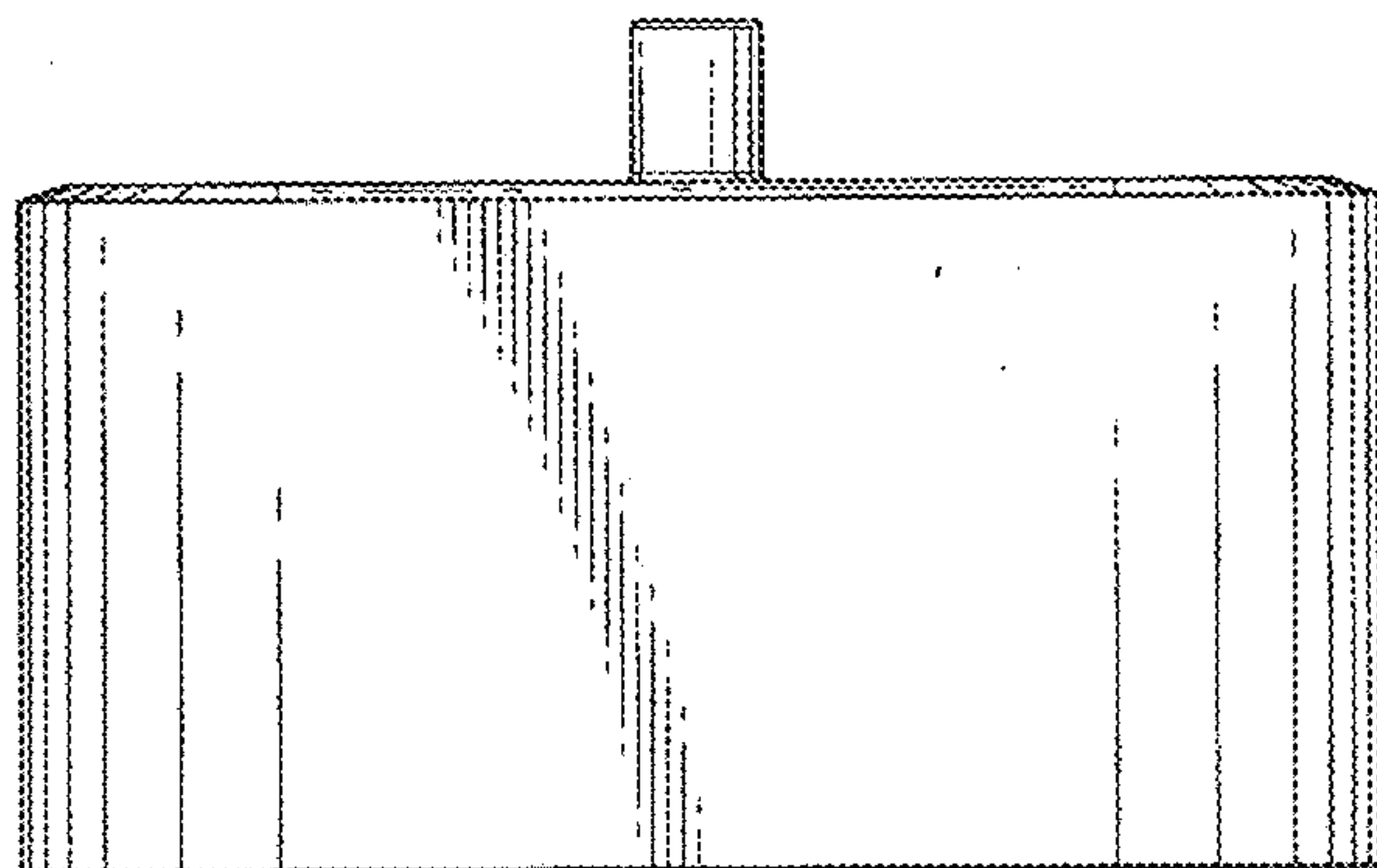


FIG. 26

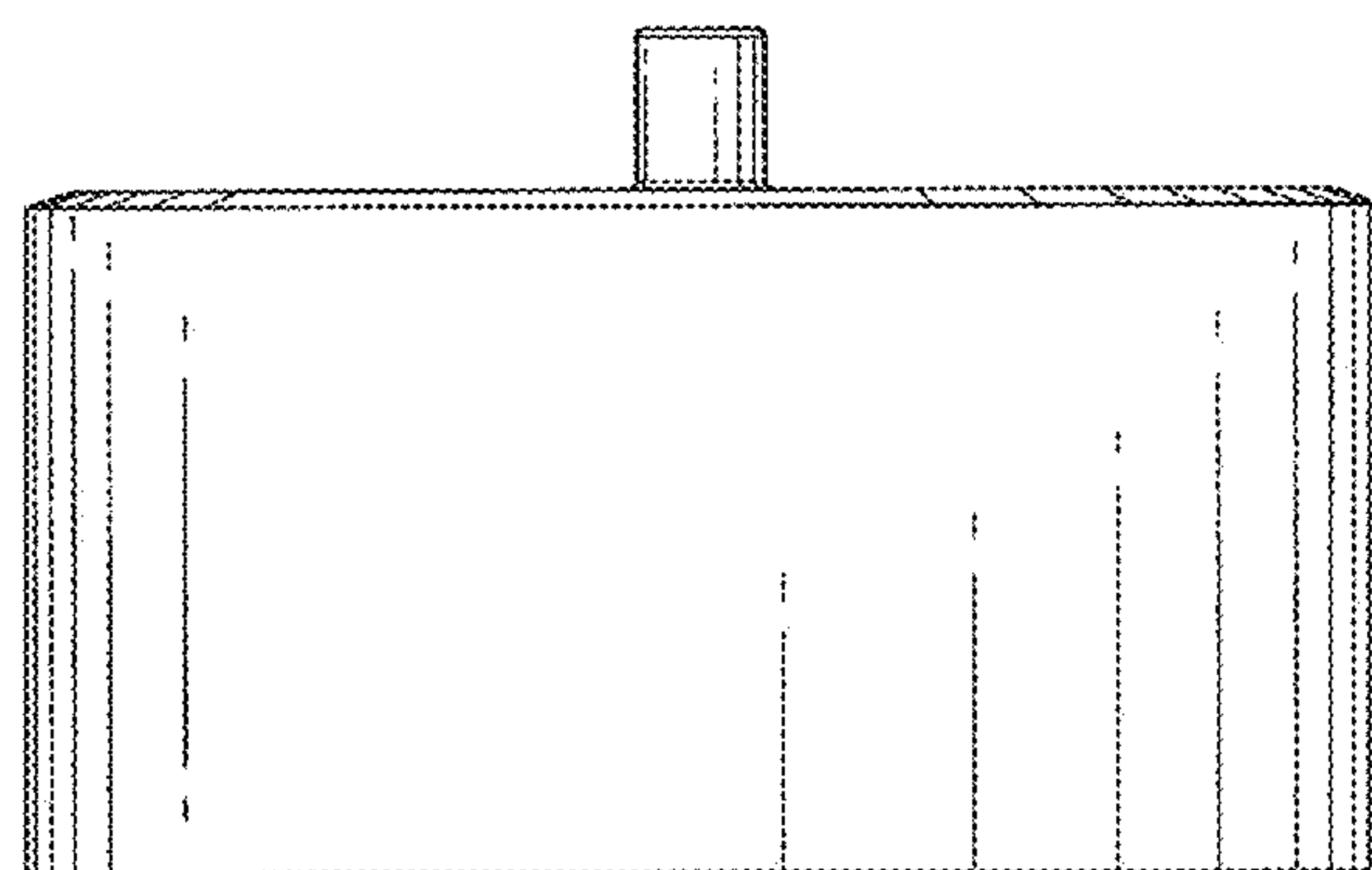


FIG. 27

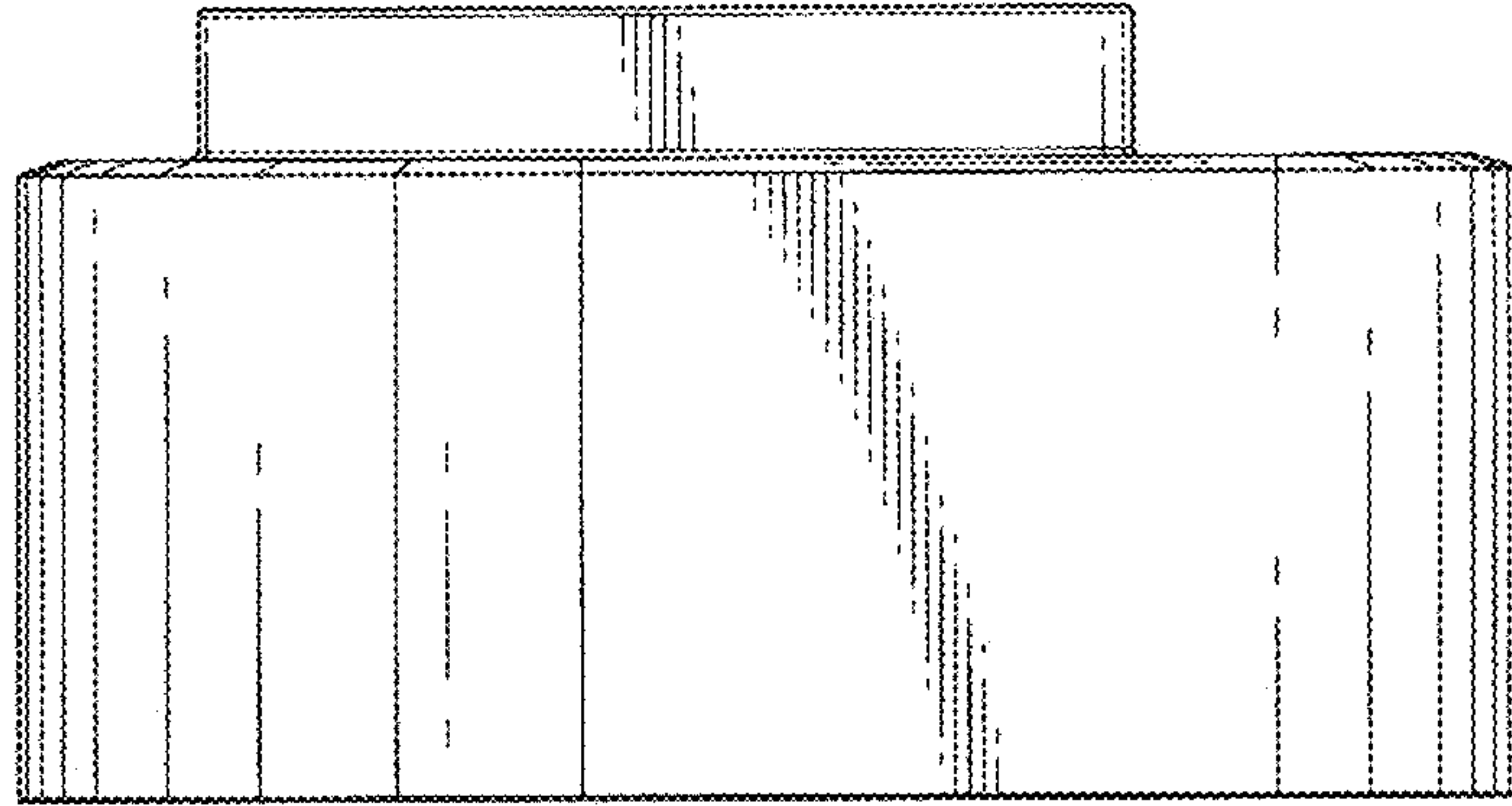


FIG. 28

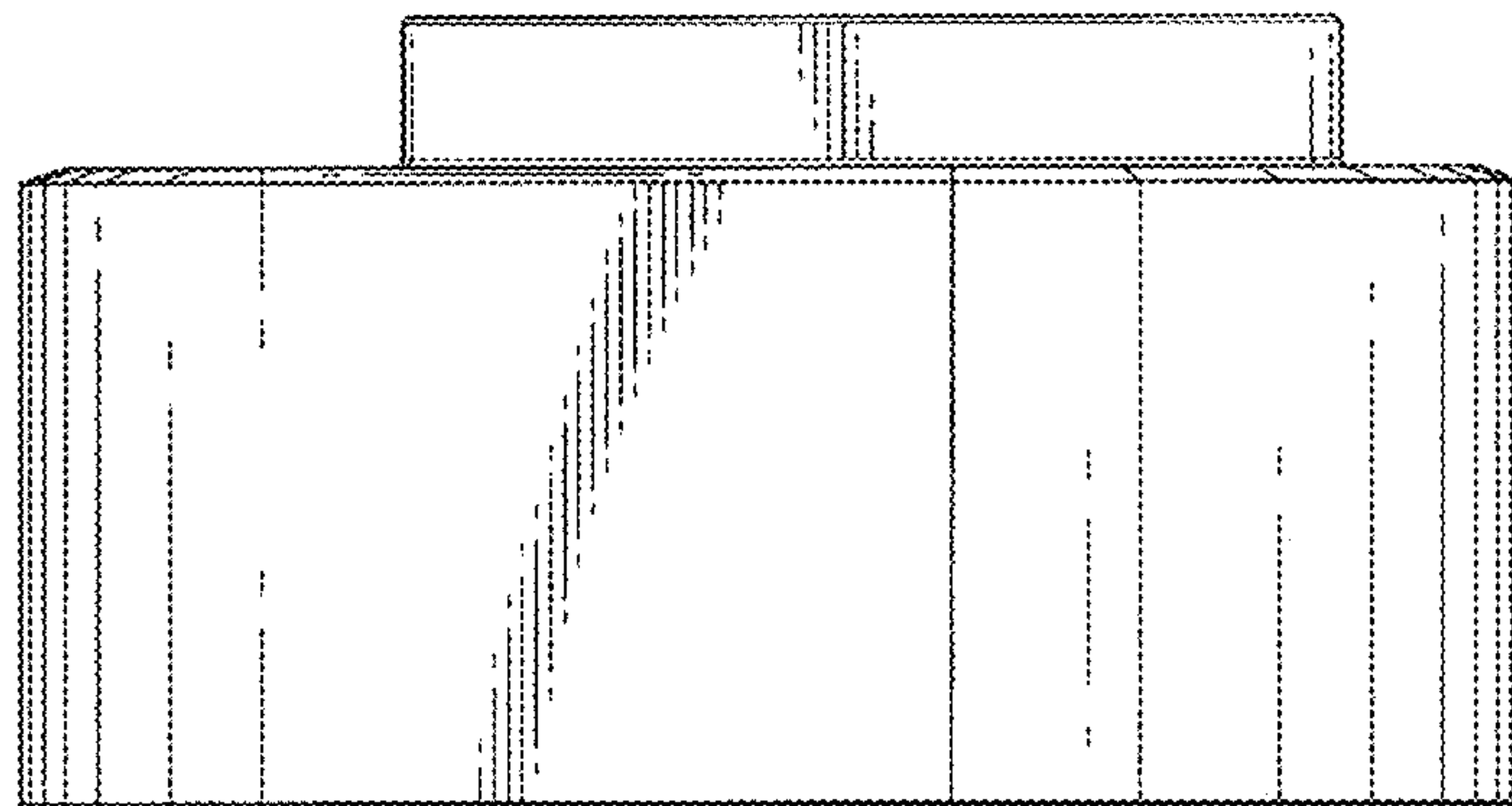


FIG. 29

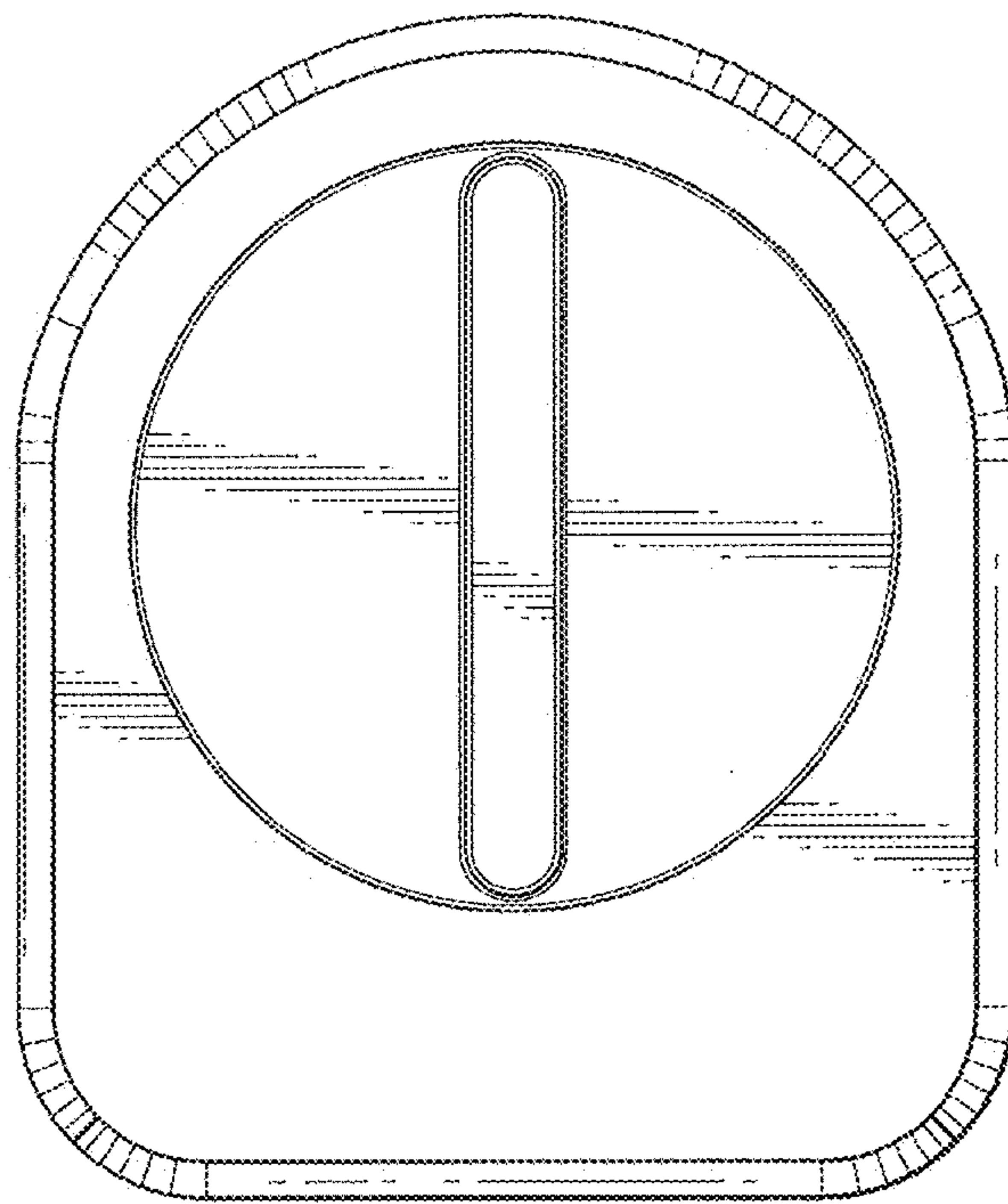


FIG. 30