



US00D779304S

(12) **United States Design Patent** (10) **Patent No.:** **US D779,304 S**
Hardy (45) **Date of Patent:** **** Feb. 21, 2017**

(54) **PULL FOR CABINETS AND DRAWERS**

(71) Applicant: **Thomas G. Hardy**, Ave Maria, FL (US)

(72) Inventor: **Thomas G. Hardy**, Ave Maria, FL (US)

(**) Term: **15 Years**

(21) Appl. No.: **29/527,582**

(22) Filed: **May 20, 2015**

(51) **LOC (10) Cl.** **08-06**

(52) **U.S. Cl.**
USPC **D8/319**

(58) **Field of Classification Search**

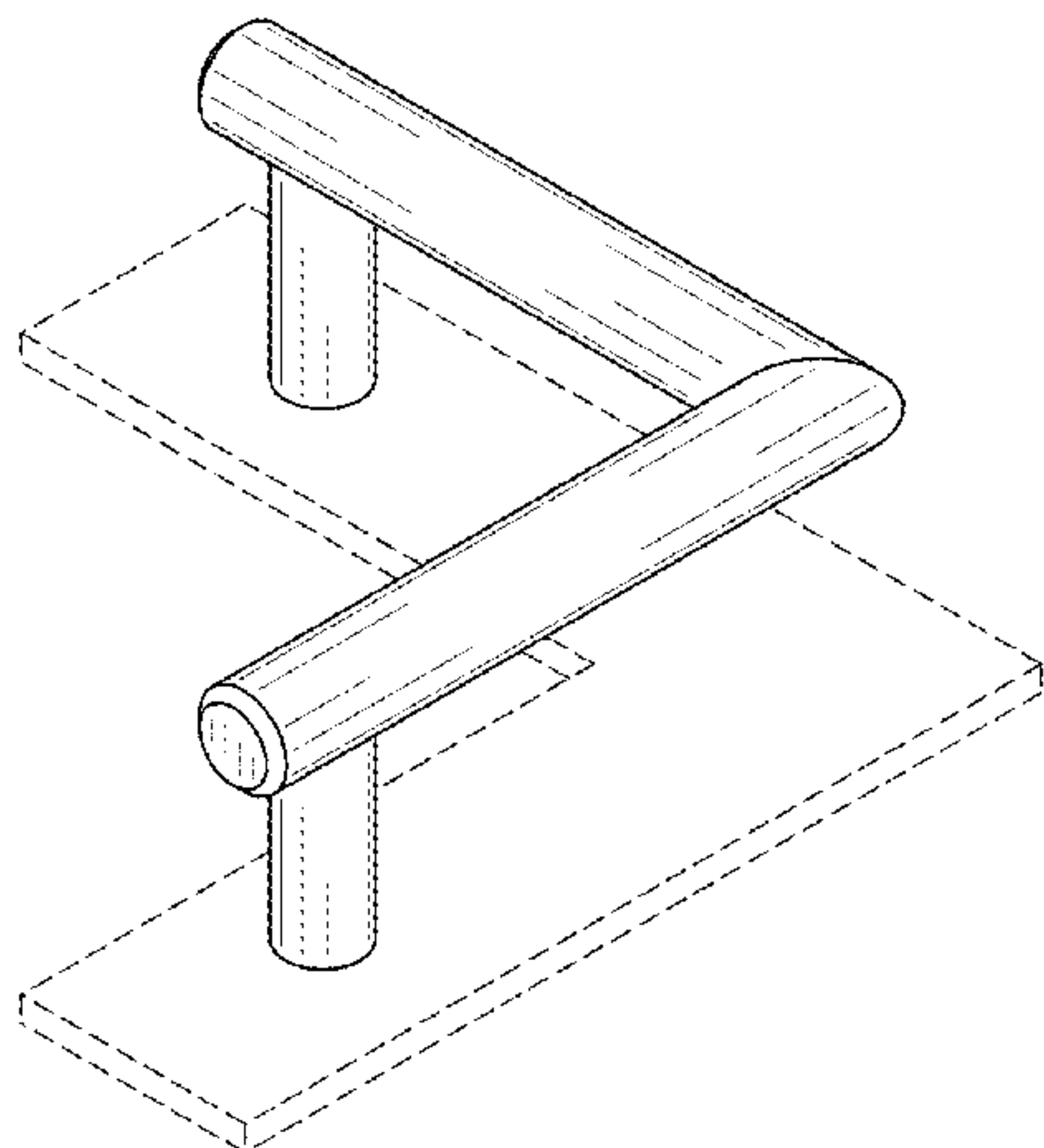
USPC D32/1-3, 6, 25, 28, 29, 34, 24; D23/226, D23/255, 271, 259-260, 268, 381; 312/109, 237 A; 134/56 R, 57 R, 57 D, 312/57 DL, 56 D, 134/58 R, 58 D, 58 DL, 134/25.2, 184; 68/3 R, 13 R, 27-28, 68/213-214, 232; D8/300-303, D8/315-317, 319; D15/89, 79; D6/327, D6/513, 522-523, 545-546, 571; D7/331-332, 338-340, 348-350.1, 351, D7/354, 393, 405; 16/436
CPC Y10T 16/469; Y10T 16/44; Y10T 16/458
See application file for complete search history.

(56) **References Cited**

U.S. PATENT DOCUMENTS

D267,275 S * 12/1982 Horgan, Jr. D25/48.3
D267,276 S * 12/1982 Horgan, Jr. D25/48.3
5,615,918 A * 4/1997 Ferrell E05B 1/0015
292/336.3
D384,569 S * 10/1997 Simon D8/305
D444,241 S * 6/2001 Horgan, Jr. D25/48.3
7,347,461 B2 * 3/2008 Sprague E05B 1/00
200/61.62
D606,789 S * 12/2009 Krumpe D6/523
D725,457 S * 3/2015 Sprague D8/315
D740,099 S * 10/2015 Chang D8/316

(Continued)



Primary Examiner — Lakiya Rogers

Assistant Examiner — Harold Blackwell, II

(74) *Attorney, Agent, or Firm* — Johnson & Martin, P.A.; James David Johnson

(57) **CLAIM**

The ornamental design for a pull for cabinets and drawers, as shown and described.

DESCRIPTION

FIG. 1 is a front elevation view of a pull for cabinets and drawers.

FIG. 2 is a rear elevation view of the pull for cabinets and drawers of FIG. 1.

FIG. 3 is a side view of a first side of the pull for cabinets and drawers of FIG. 1.

FIG. 4 is a side view of a second side of the pull for cabinets and drawers of FIG. 1 that is opposite to the first side.

FIG. 5 is a side view of a third side of the pull for cabinets and drawers of FIG. 1.

FIG. 6 is a side view of a fourth side of the pull for cabinets and drawers of FIG. 1 that is opposite to the third side.

FIG. 7 is a perspective view of the pull for cabinets and drawers of FIG. 1 generally showing the first and fourth sides.

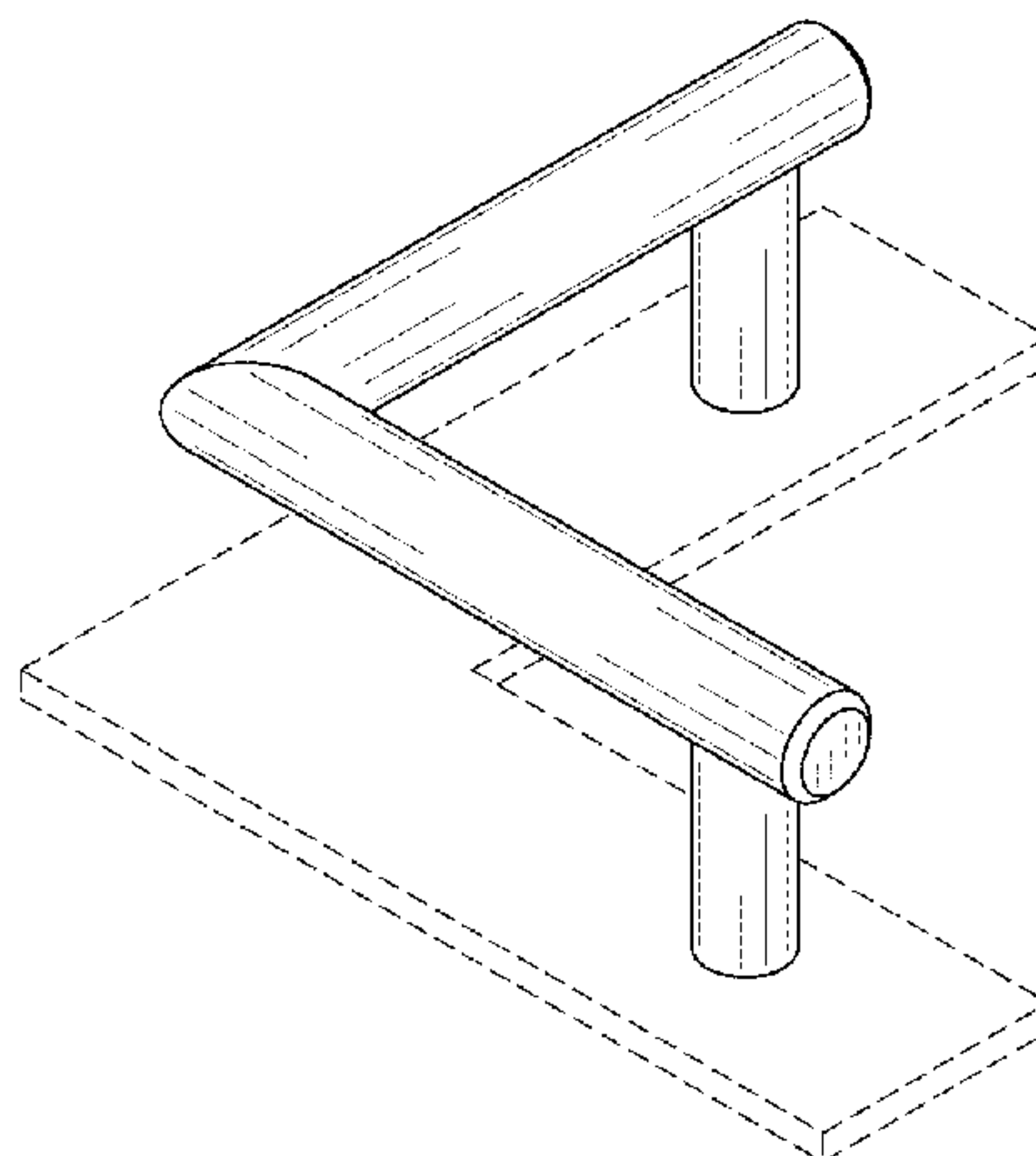
FIG. 8 is a perspective view of the pull for cabinets and drawers of FIG. 1 generally showing the second and third sides.

FIG. 9 is a perspective view of the pull for cabinets and drawers of FIG. 7 attached to an optional backing plate and generally showing a first side and a fourth side of the pull; and,

FIG. 10 is a perspective view of the pull for cabinets and drawers of FIG. 8 attached to an optional backing plate and generally showing a second side and a third side of the pull for cabinets and drawers.

The broken lines in the FIG. 2 illustrate portions of the pull for cabinets and drawers which form no part of the claimed design. The broken line illustrations of the optional backing plate in FIGS. 9 and 10 are shown for the purpose of

(Continued)



illustrating an optional structure of the pull for cabinets and drawers and form no part of the claimed design.

1 Claim, 4 Drawing Sheets

(56)

References Cited

U.S. PATENT DOCUMENTS

2006/0162126 A1* 7/2006 Kreyenborg E05B 1/0015
16/412

* cited by examiner

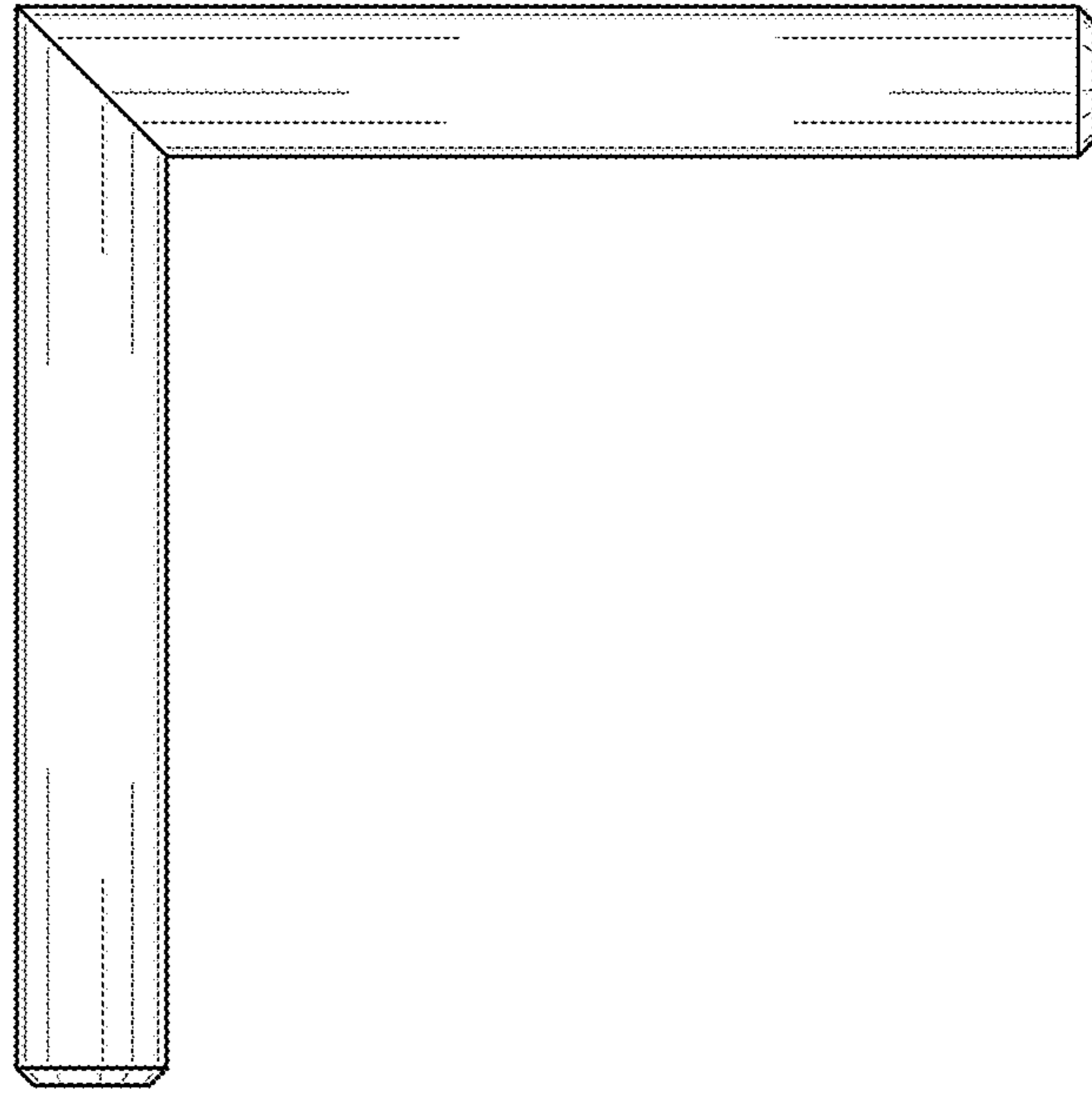


FIG. 1

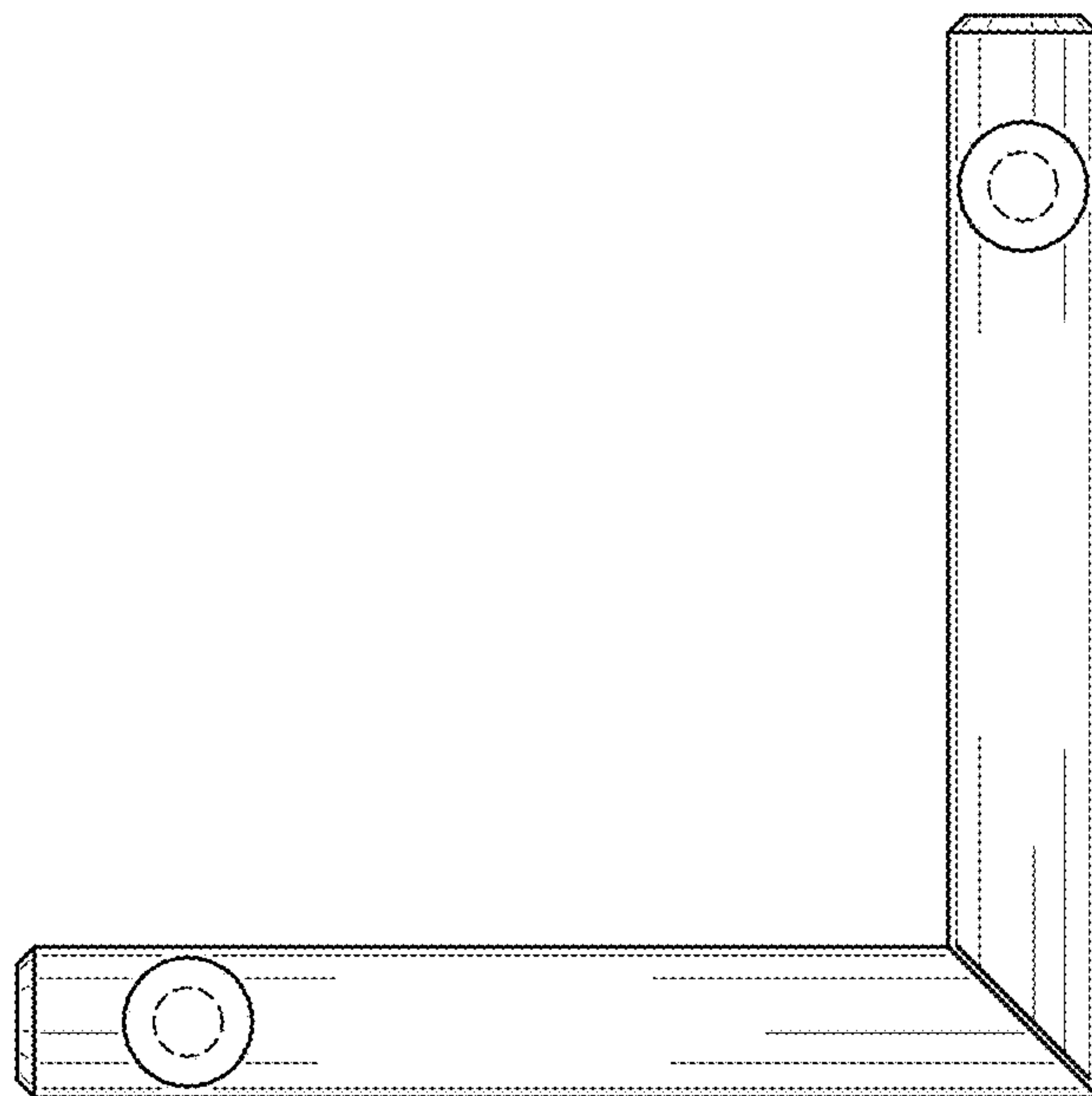


FIG. 2

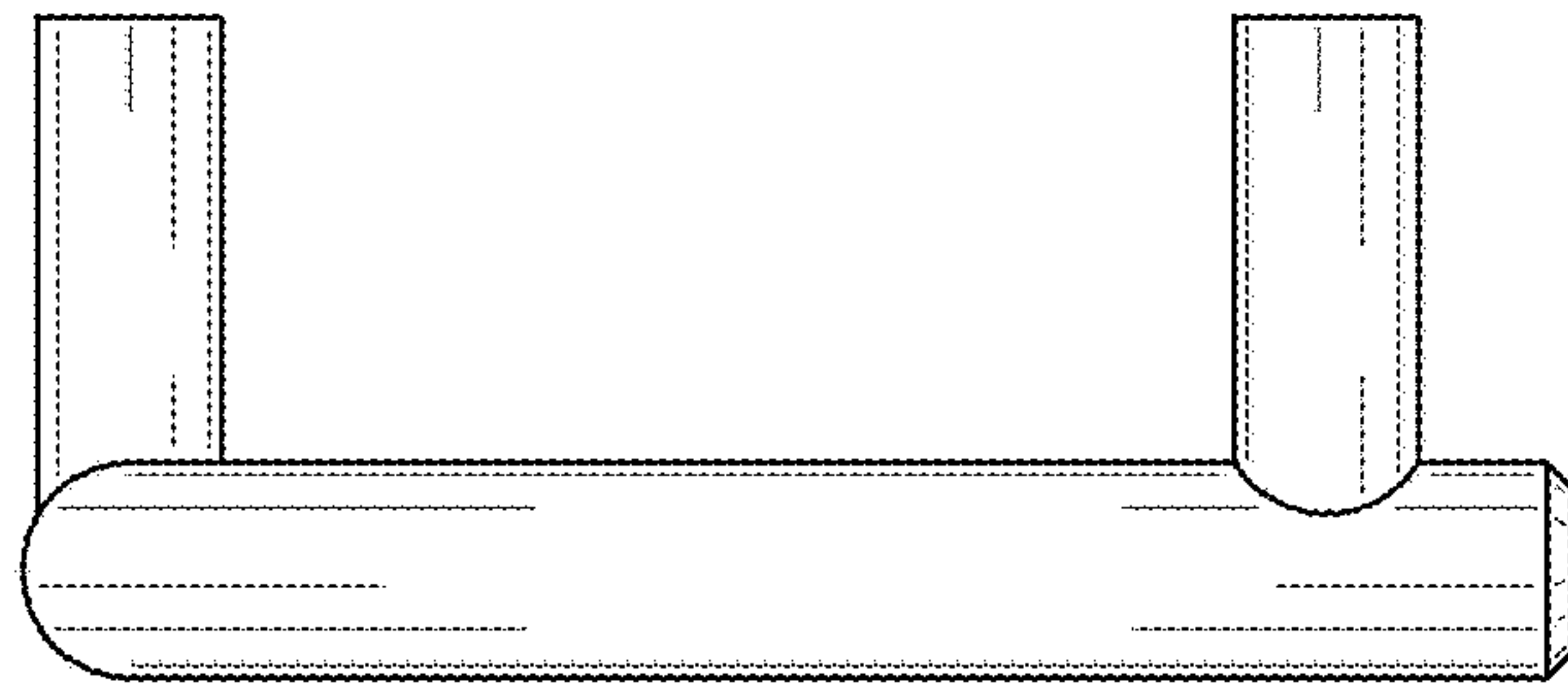


FIG. 3

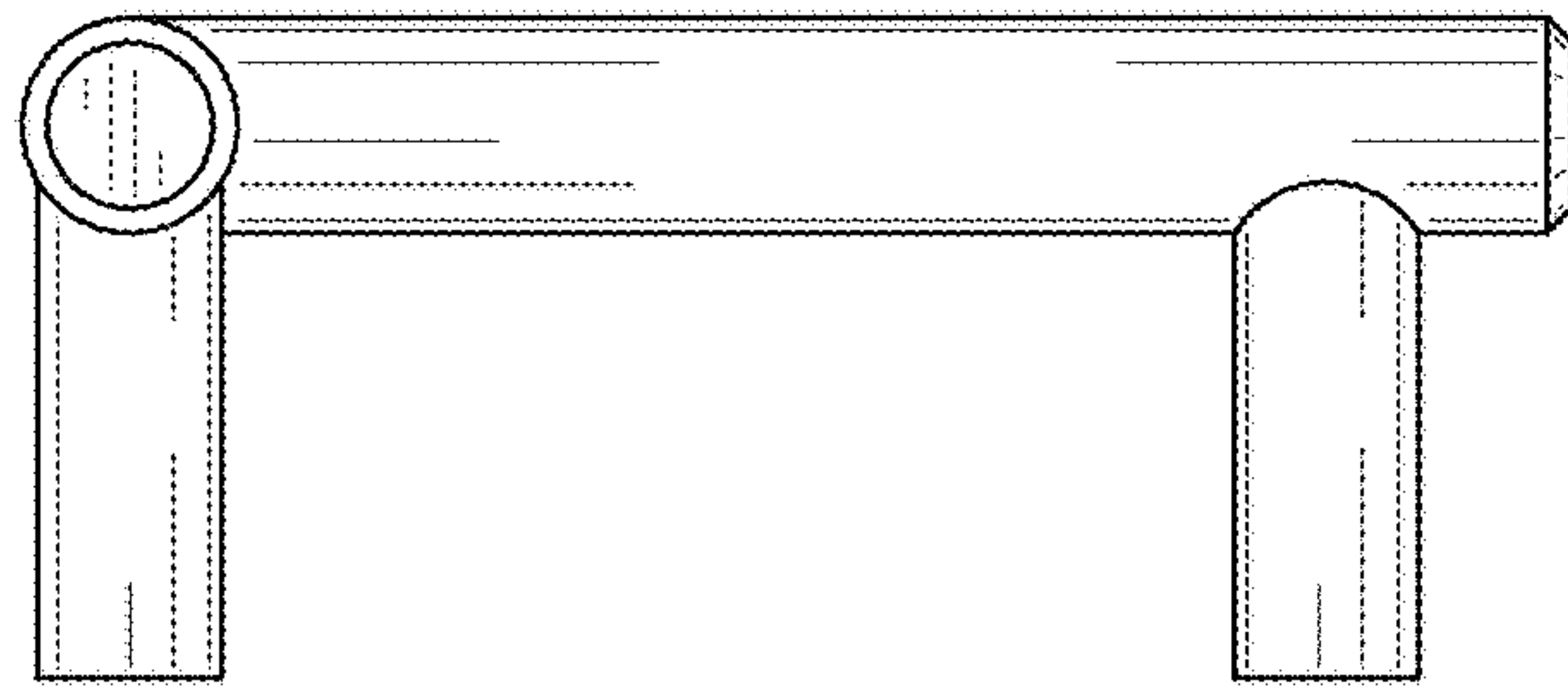


FIG. 4

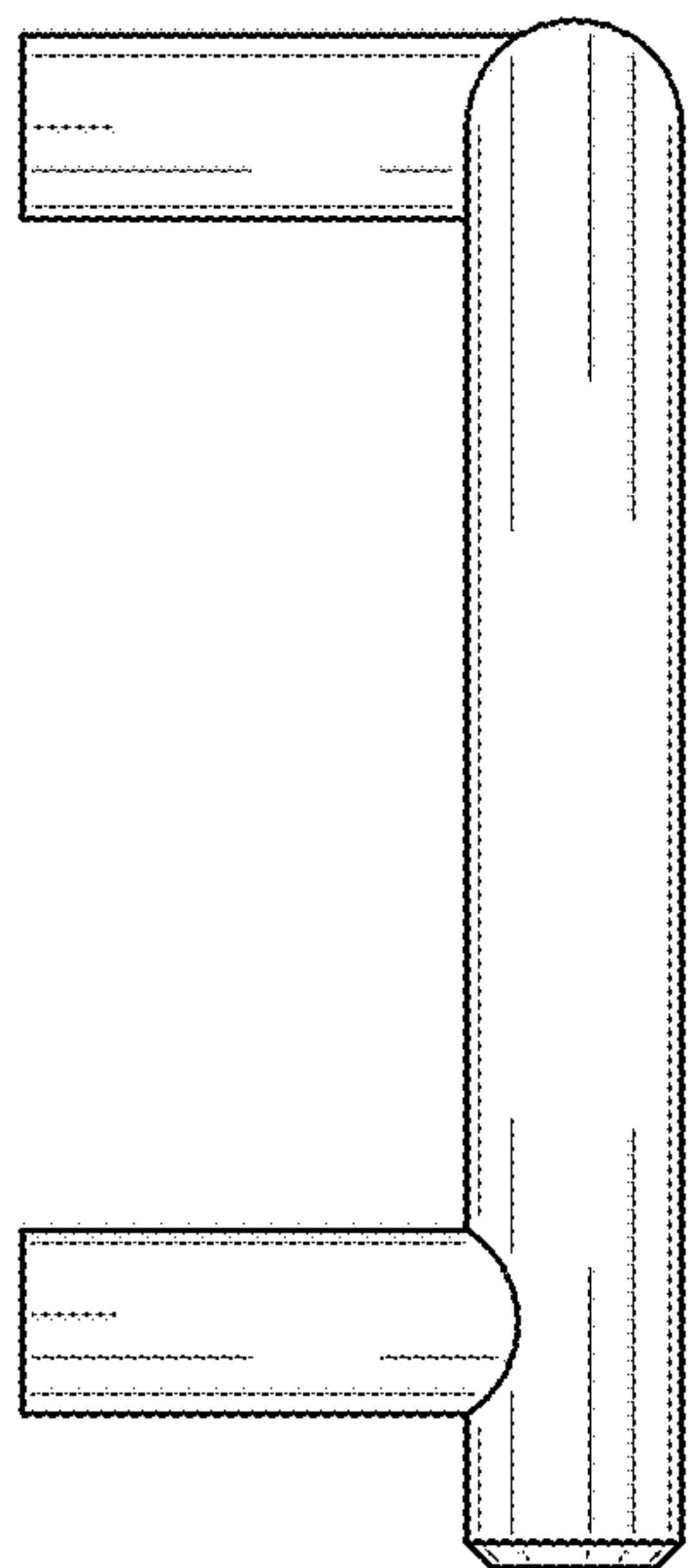


FIG. 5

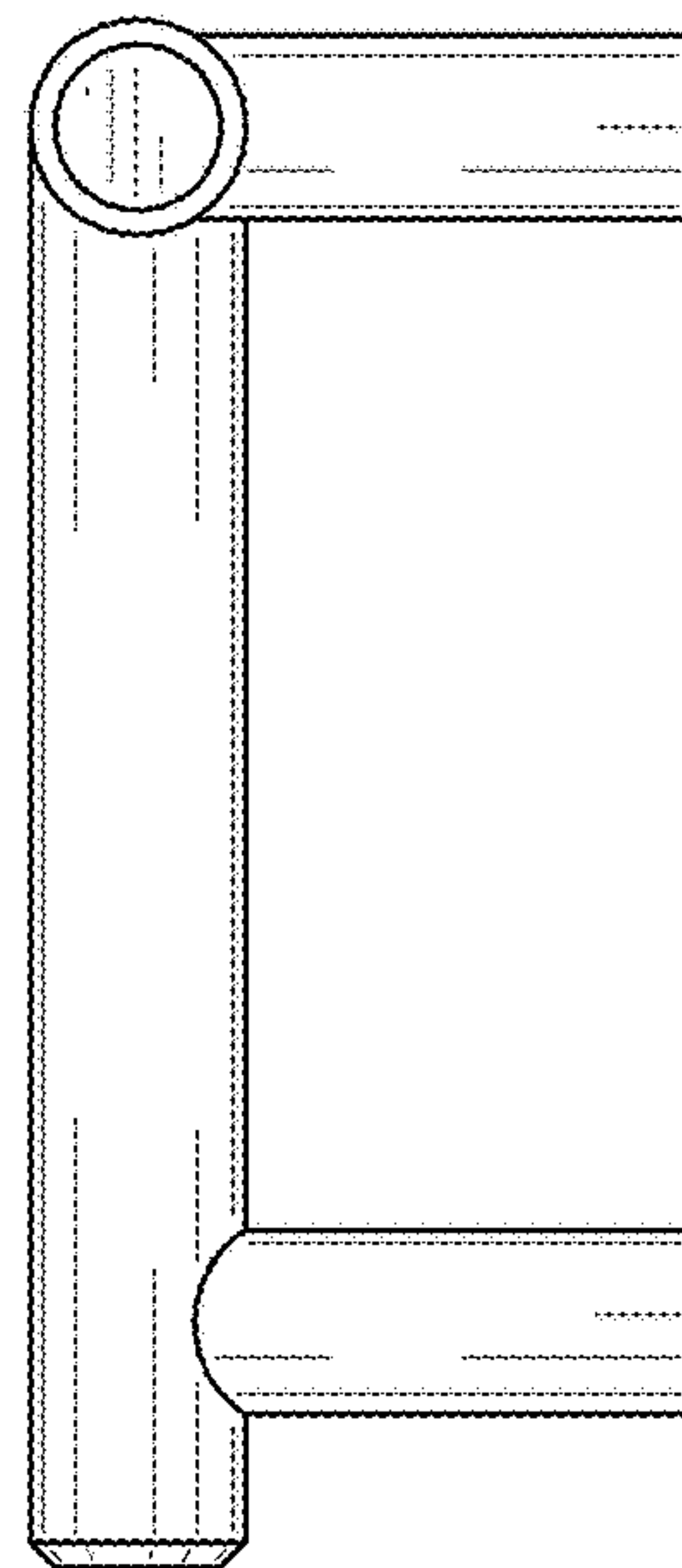


FIG. 6

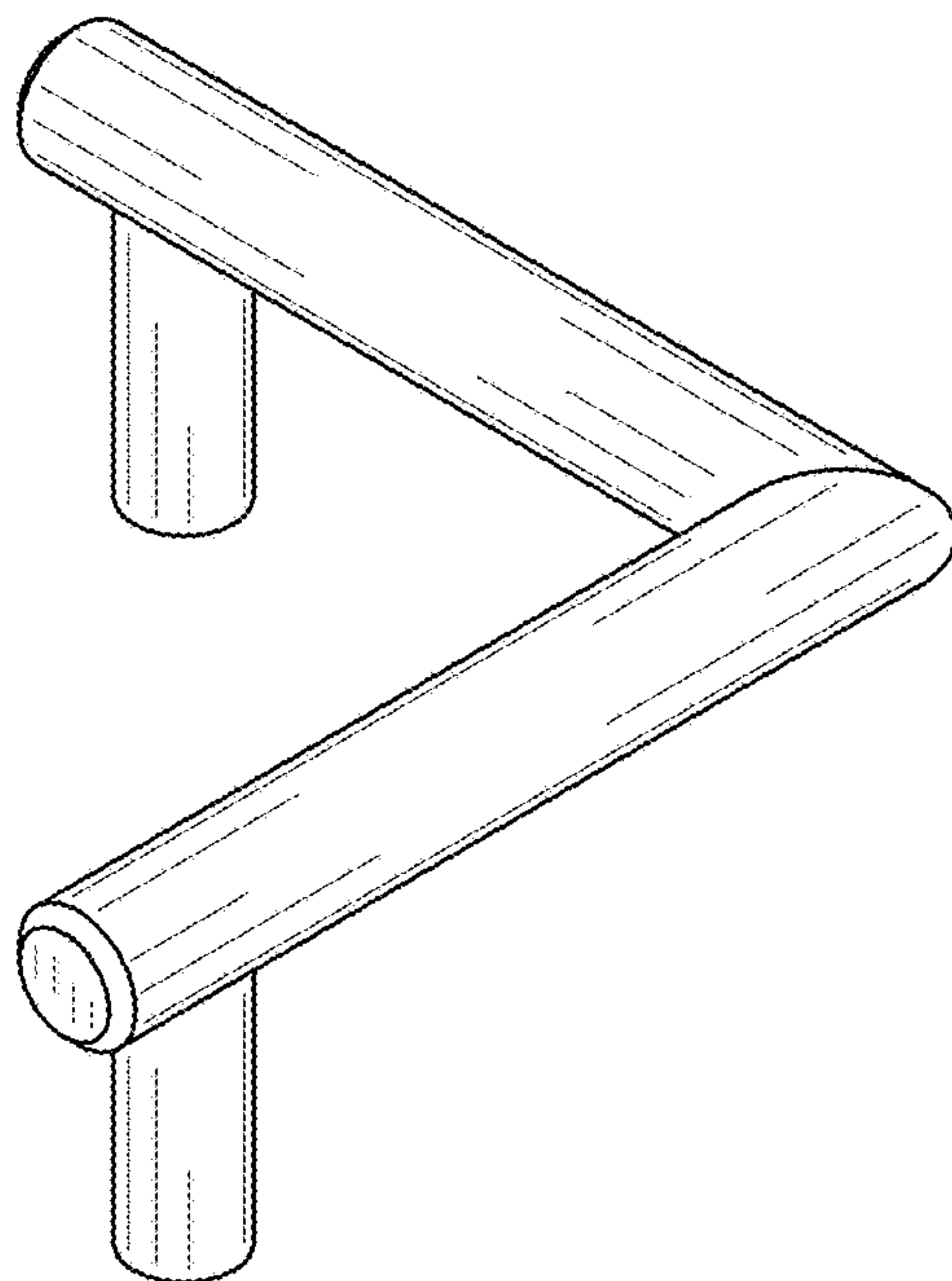


FIG. 7

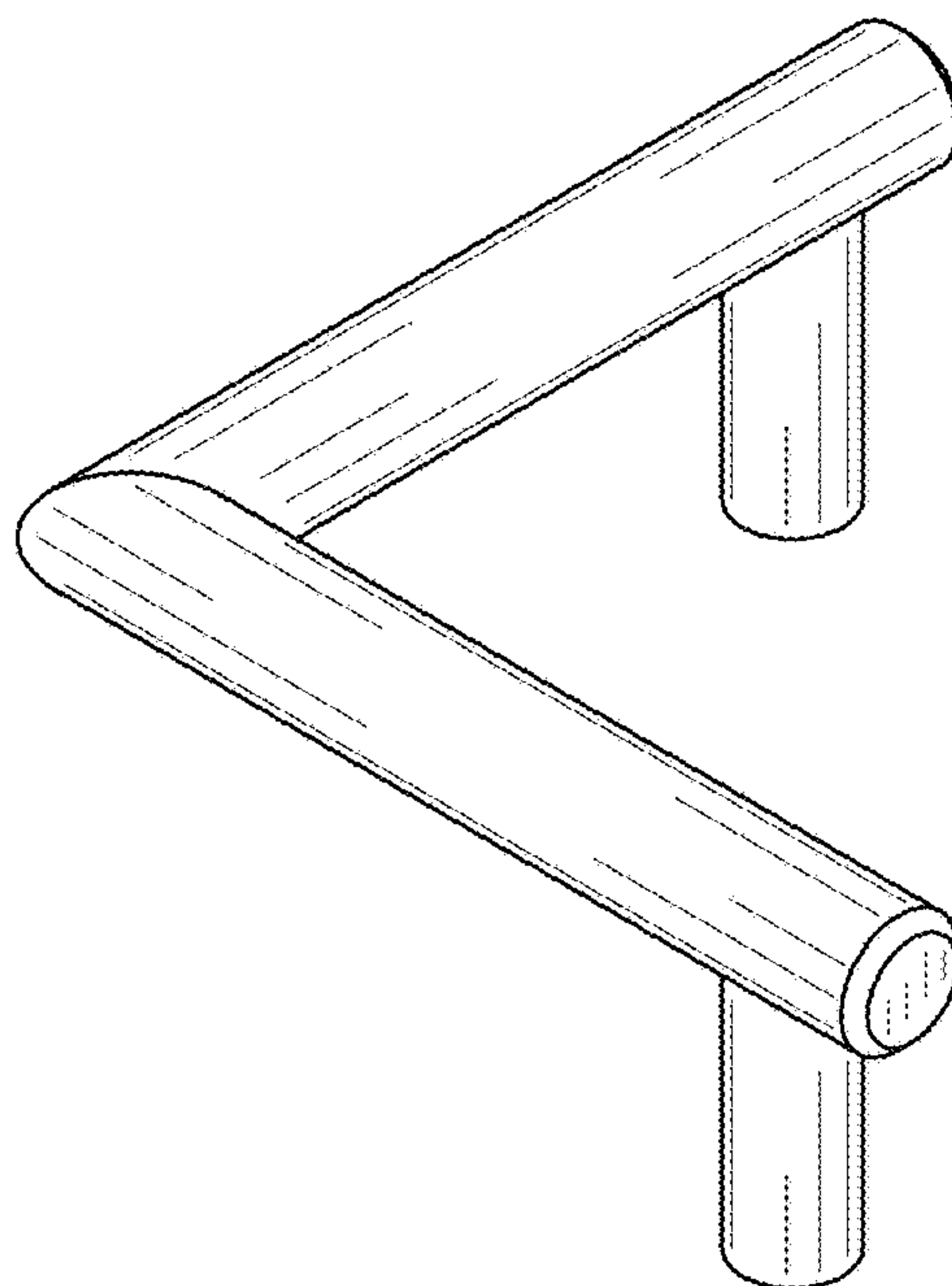


FIG. 8

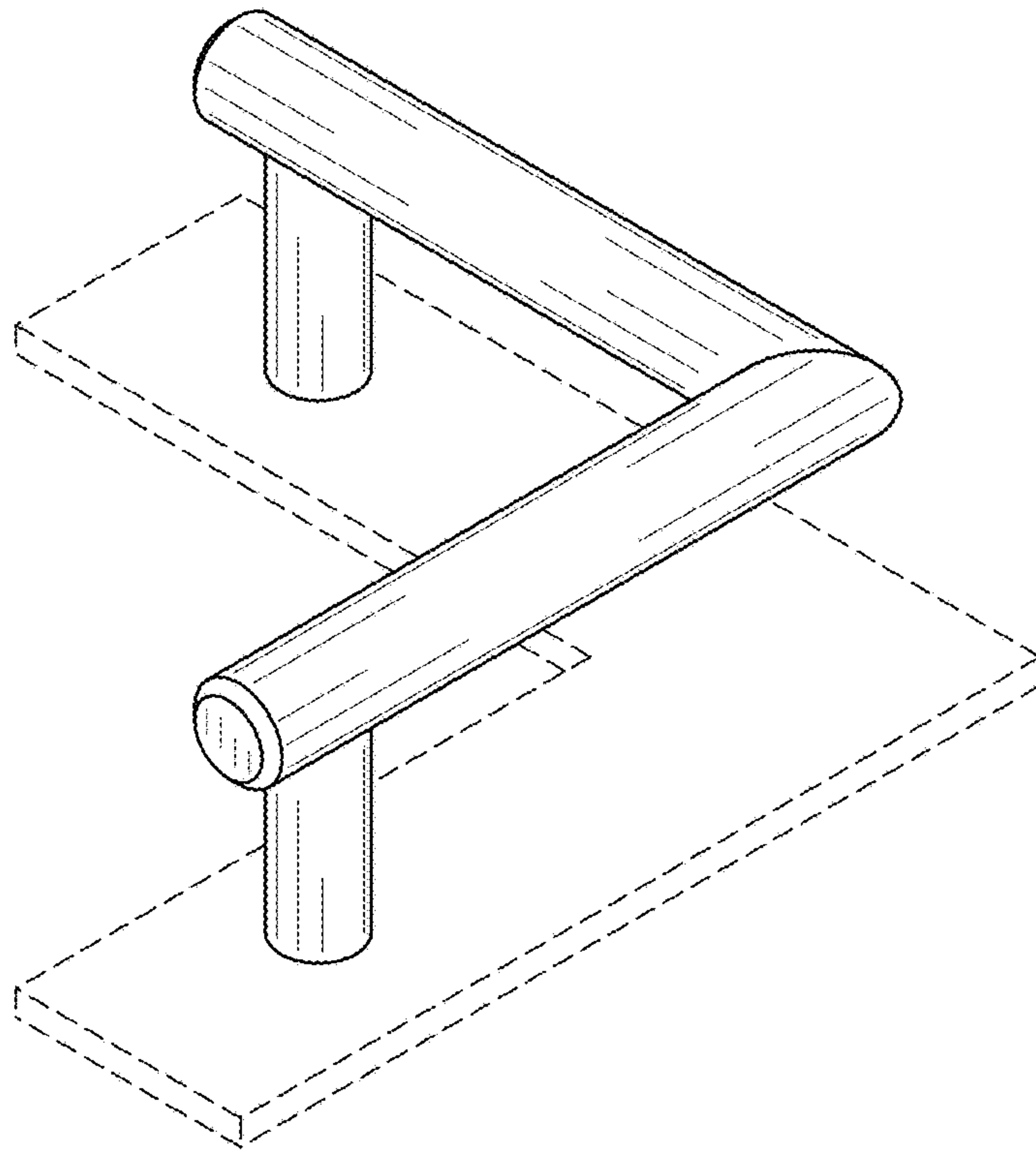


FIG. 9

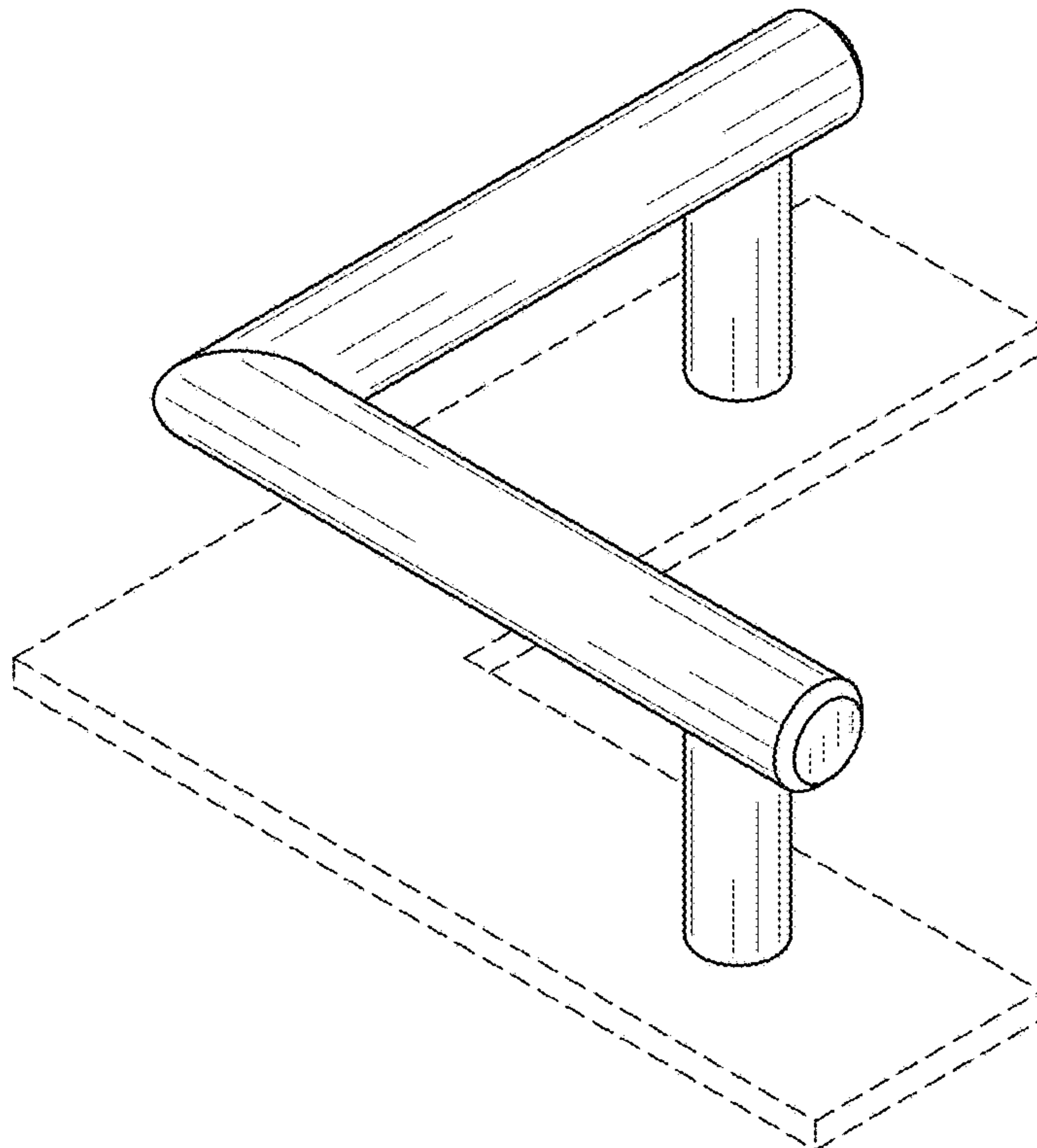


FIG. 10