



US00D779303S

(12) **United States Design Patent** (10) **Patent No.:** **US D779,303 S**  
**Shoemaker et al.** (45) **Date of Patent:** **\*\* Feb. 21, 2017**

(54) **OVEN KNOB**

(56) **References Cited**

- (71) Applicant: **Sears Brands, L.L.C.**, Hoffman Estates, IL (US)
- (72) Inventors: **Anthony Shoemaker**, Bartlett, IL (US); **Jason Silverstein**, Hoffman Estates, IL (US); **Daniel Green**, Charlotte, NC (US); **Roddy Burgess**, Charlotte, NC (US)
- (73) Assignee: **Sears Brands, L.L.C.**, Hoffman Estates, IL (US)
- (\*\*) Term: **15 Years**
- (21) Appl. No.: **29/568,155**
- (22) Filed: **Jun. 15, 2016**

U.S. PATENT DOCUMENTS

D166,874 S *	5/1952	Reed .....	D8/311
D203,991 S *	3/1966	Rosen .....	D10/103
3,301,212 A	1/1967	Foster et al.	
D207,489 S	4/1967	Collins	
D208,918 S	10/1967	Dole	
D225,204 S *	11/1972	Kendrick .....	D8/311
D400,778 S	11/1998	Holbrook, Jr.	
D438,846 S *	3/2001	Bonn .....	D13/174
D525,518 S	7/2006	Baldwin	
7,171,727 B2	2/2007	Wylie et al.	
D543,828 S	6/2007	Strutin-Belinoff et al.	
D559,206 S	1/2008	Neveu	
D567,060 S	4/2008	Busalt	
D587,556 S *	3/2009	Marks .....	D8/300
D612,704 S	3/2010	Funnell et al.	
D634,156 S	3/2011	Fuller et al.	
D634,602 S	3/2011	Bengtson	
D637,886 S	5/2011	Bengtson	
D642,042 S	7/2011	Kim et al.	
D703,998 S	5/2014	Funnell et al.	
D704,028 S	5/2014	Meda et al.	

(Continued)

**Related U.S. Application Data**

- (63) Continuation of application No. 29/528,392, filed on May 28, 2015, now abandoned.
- (51) **LOC (10) Cl.** ..... **08-06**
- (52) **U.S. Cl.**  
USPC ..... **D8/311**
- (58) **Field of Classification Search**  
USPC ..... D8/107, 300, 301, 307, 310, 311, 312;  
D10/102; D23/250, 421; 74/553, 554,  
74/555, 556, 558, 543; D7/393, 394, 396,  
543, 545, D7/547, 548; 16/110.1, 422,  
426, 430, 443  
CPC .... Y10T 292/57; Y10T 292/82; Y10T 16/469;  
Y10T 16/44; Y10T 16/476; Y10T  
74/2084; Y10T 292/85; Y10T 74/2087;  
Y10T 16/4713; Y10T 16/506; Y10T  
74/20876; Y10T 74/20612; Y10T  
70/5765; Y10T 16/459; Y10T 74/2066;  
Y10T 16/487; Y10T 74/20822  
See application file for complete search history.

*Primary Examiner* — Derrick Holland  
*Assistant Examiner* — Lauren Calve  
 (74) *Attorney, Agent, or Firm* — McAndrews, Held & Malloy, Ltd.

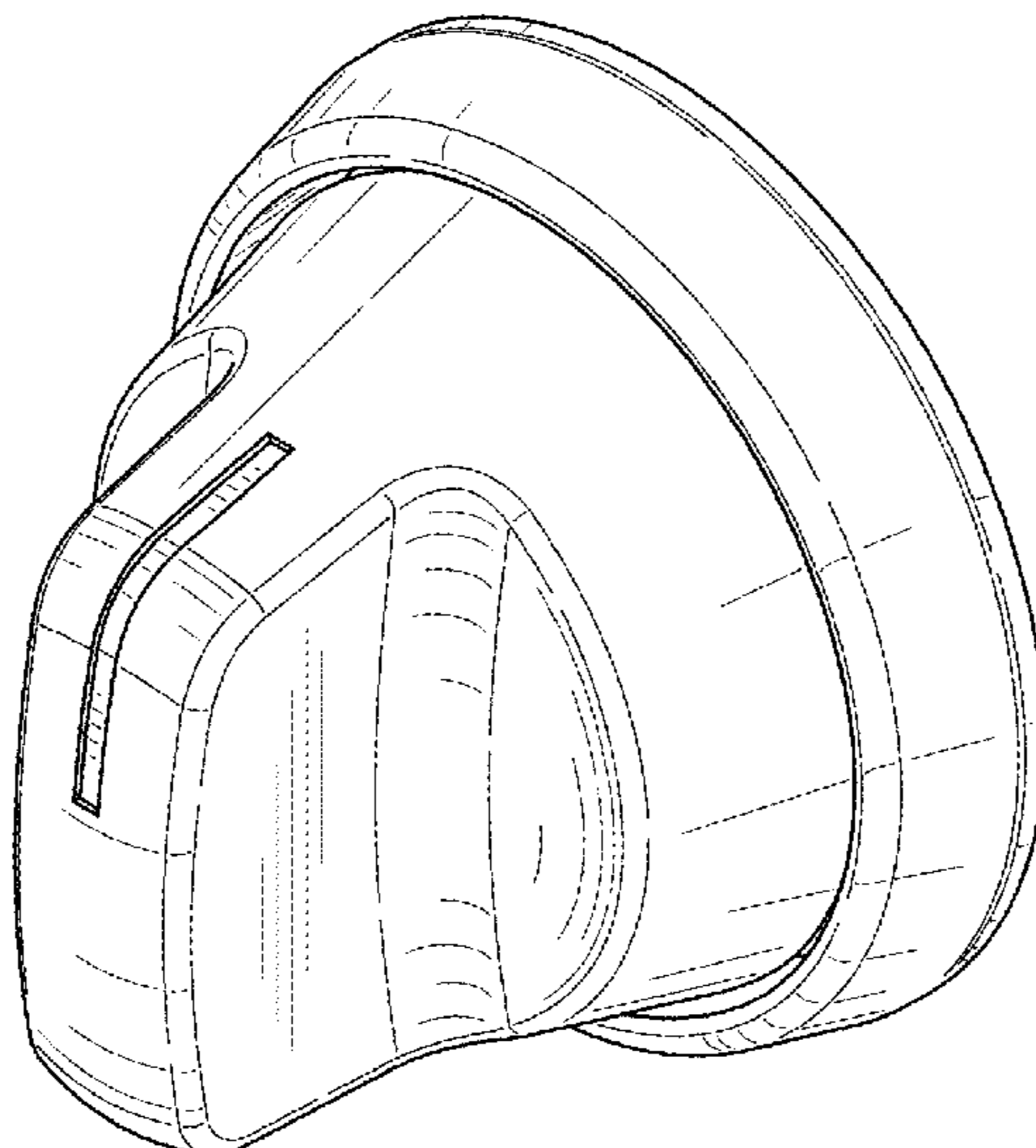
(57) **CLAIM**

The ornamental design for an oven knob, as shown and described.

**DESCRIPTION**

FIG. 1 is a top right front perspective view of an oven knob showing our new design;  
 FIG. 2 is a front view thereof;  
 FIG. 3 is a right-side elevation view thereof;  
 FIG. 4 is a left-side elevation view thereof;  
 FIG. 5 is a top plan view thereof; and,  
 FIG. 6 is a bottom plan view thereof.

**1 Claim, 4 Drawing Sheets**



(56)

**References Cited**

U.S. PATENT DOCUMENTS

D710,673 S	8/2014	Boo et al.	
D722,815 S	2/2015	Fuller et al.	
D726,524 S	4/2015	Börjesson	
D762,593 S *	8/2016	Oneufer .....	D13/174
D766,697 S *	9/2016	Vergin .....	D8/311
D766,698 S *	9/2016	Vergin .....	D8/311
2010/0294632 A1 *	11/2010	Reddering .....	G05G 1/08 200/11 R
2014/0260775 A1	9/2014	Freeman et al.	
2015/0370283 A1	12/2015	Lawson	

\* cited by examiner

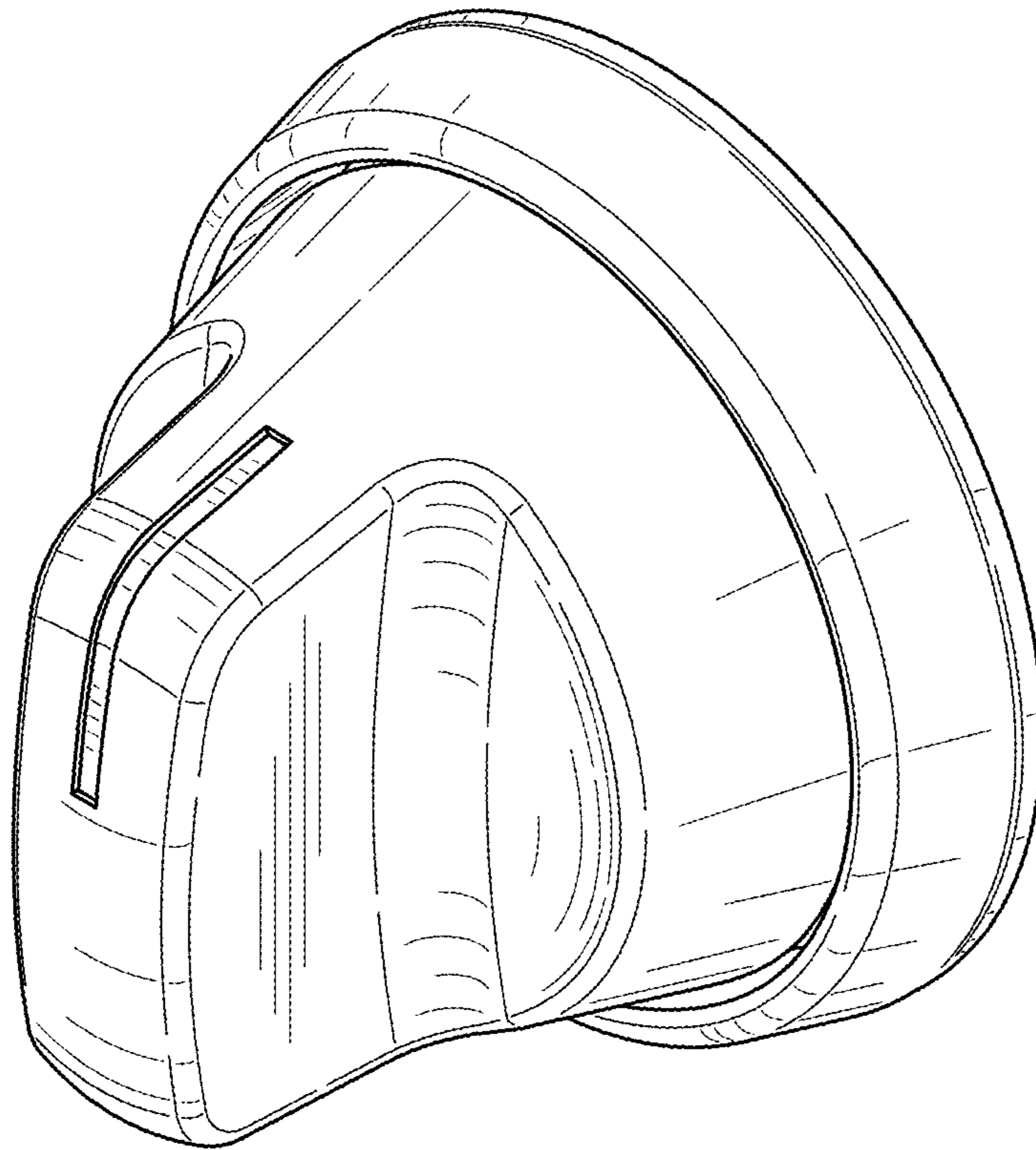


FIG. 1

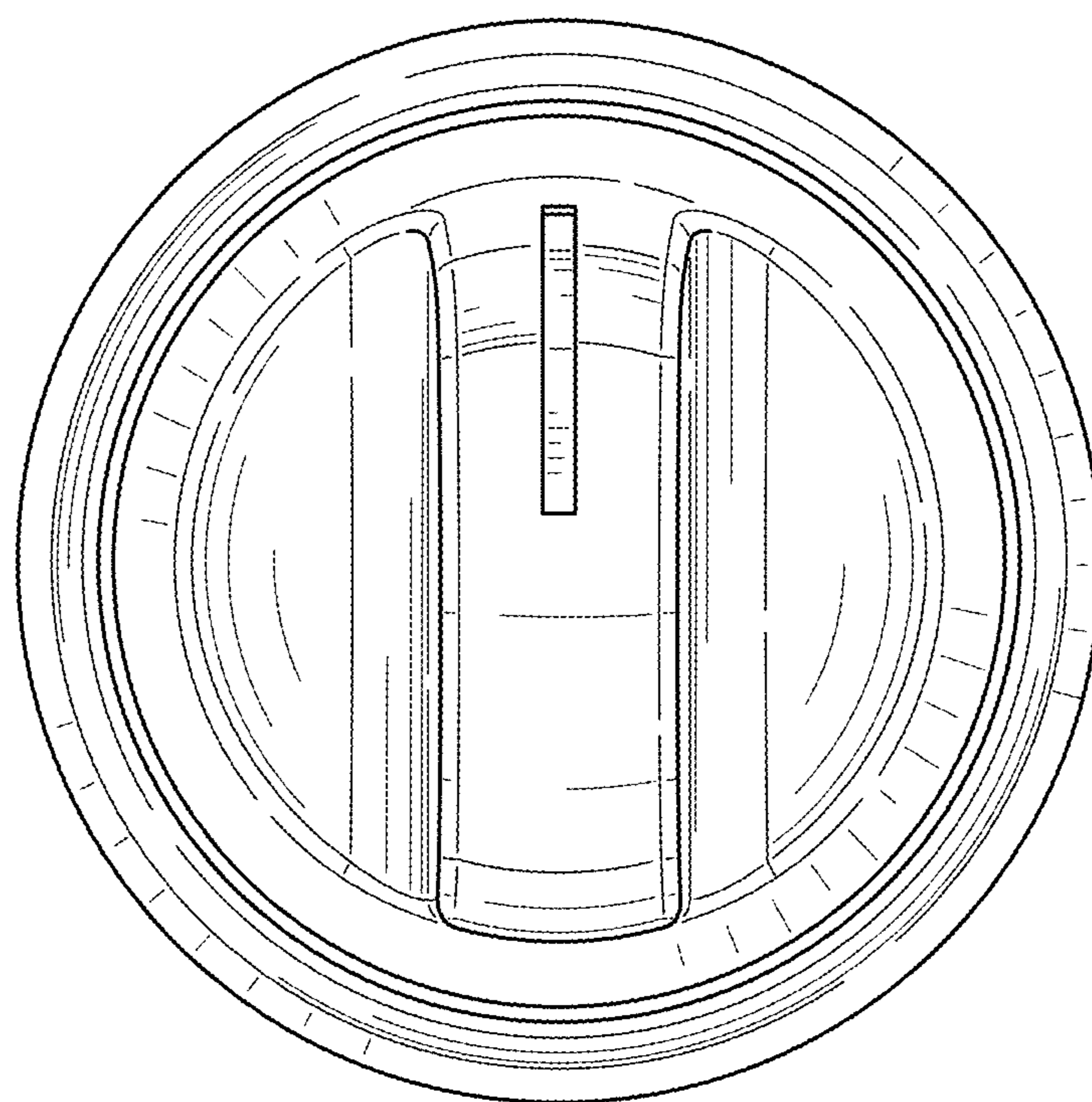
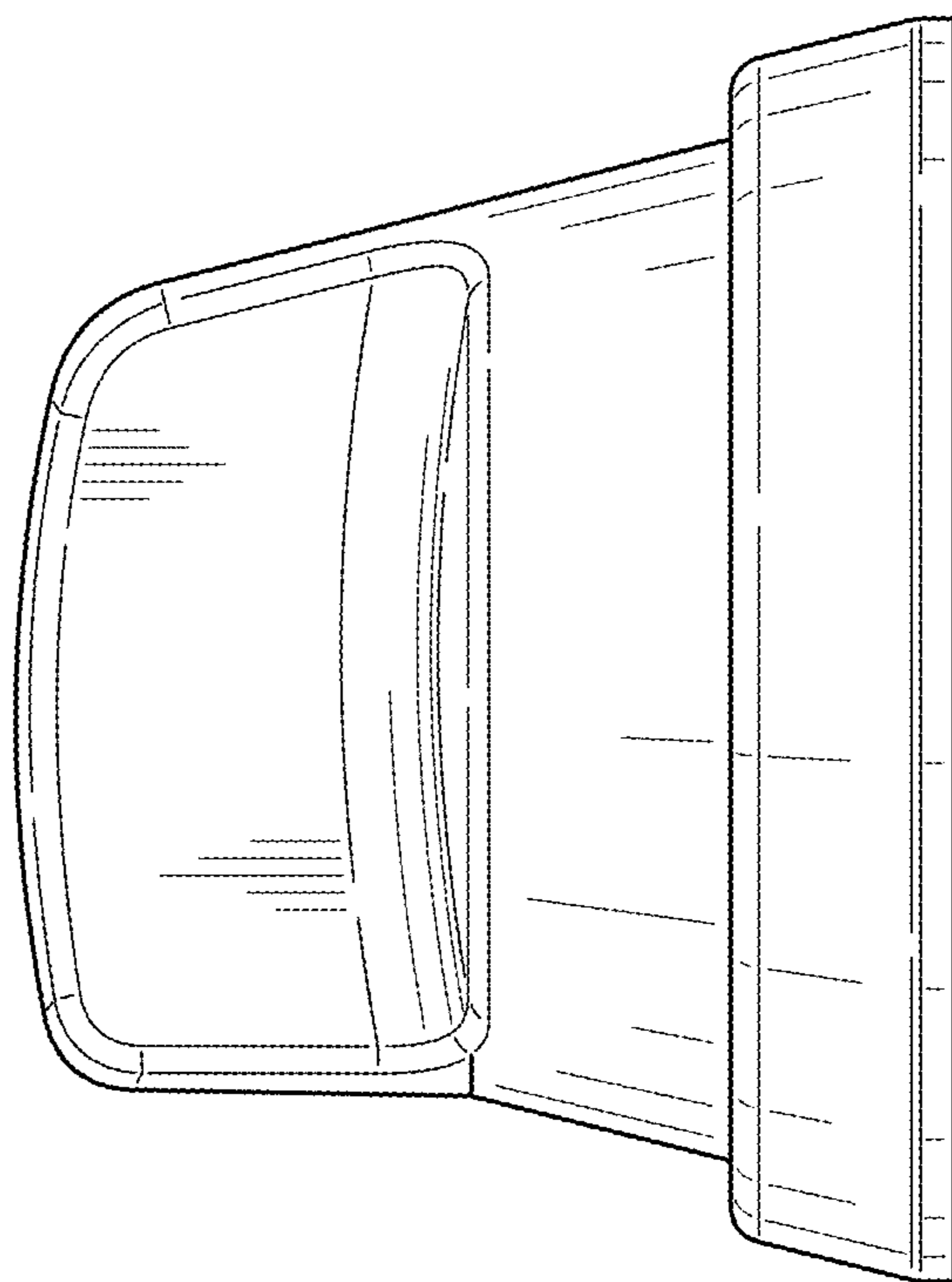
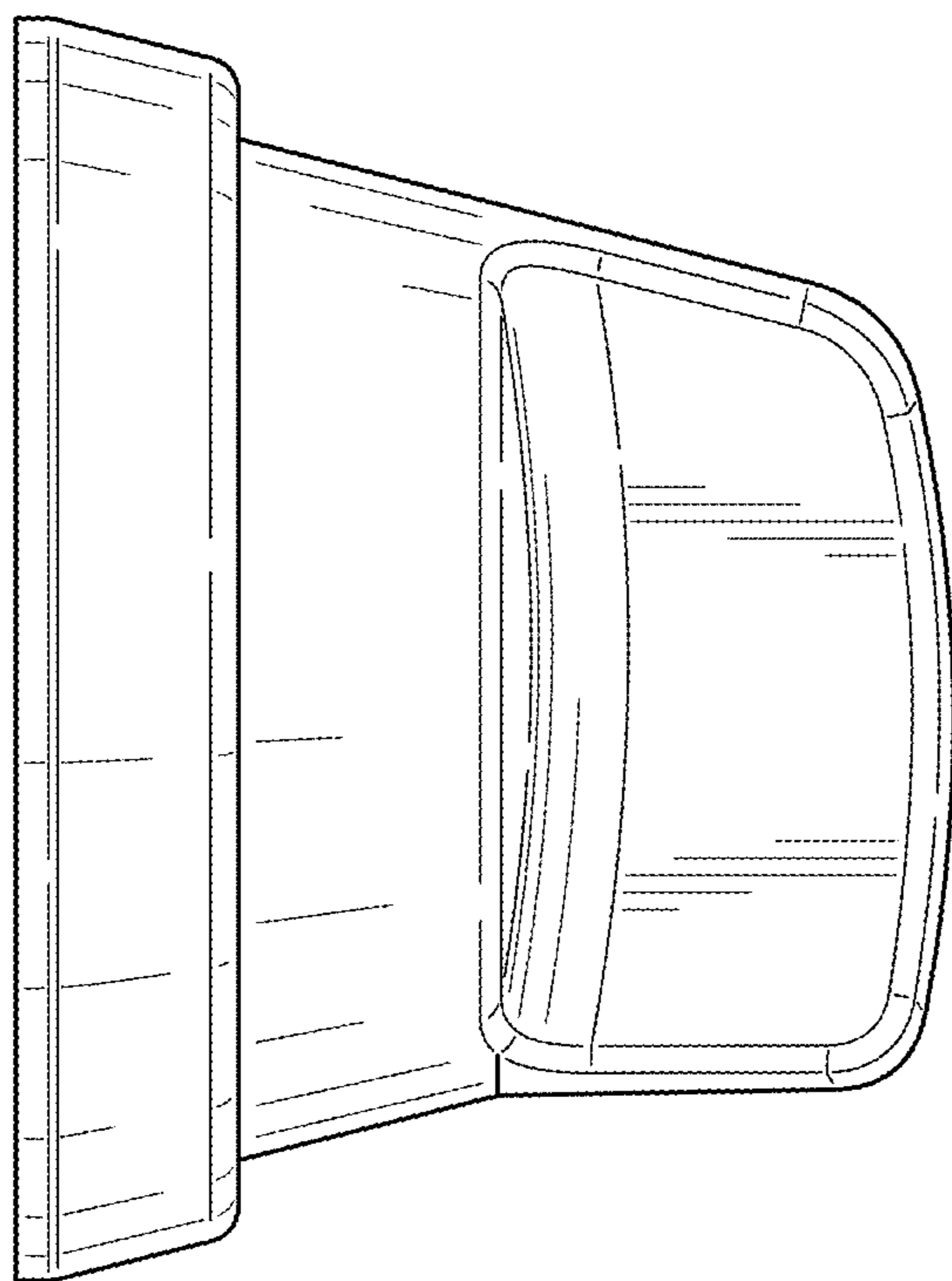


FIG. 2



**FIG. 3**



**FIG. 4**

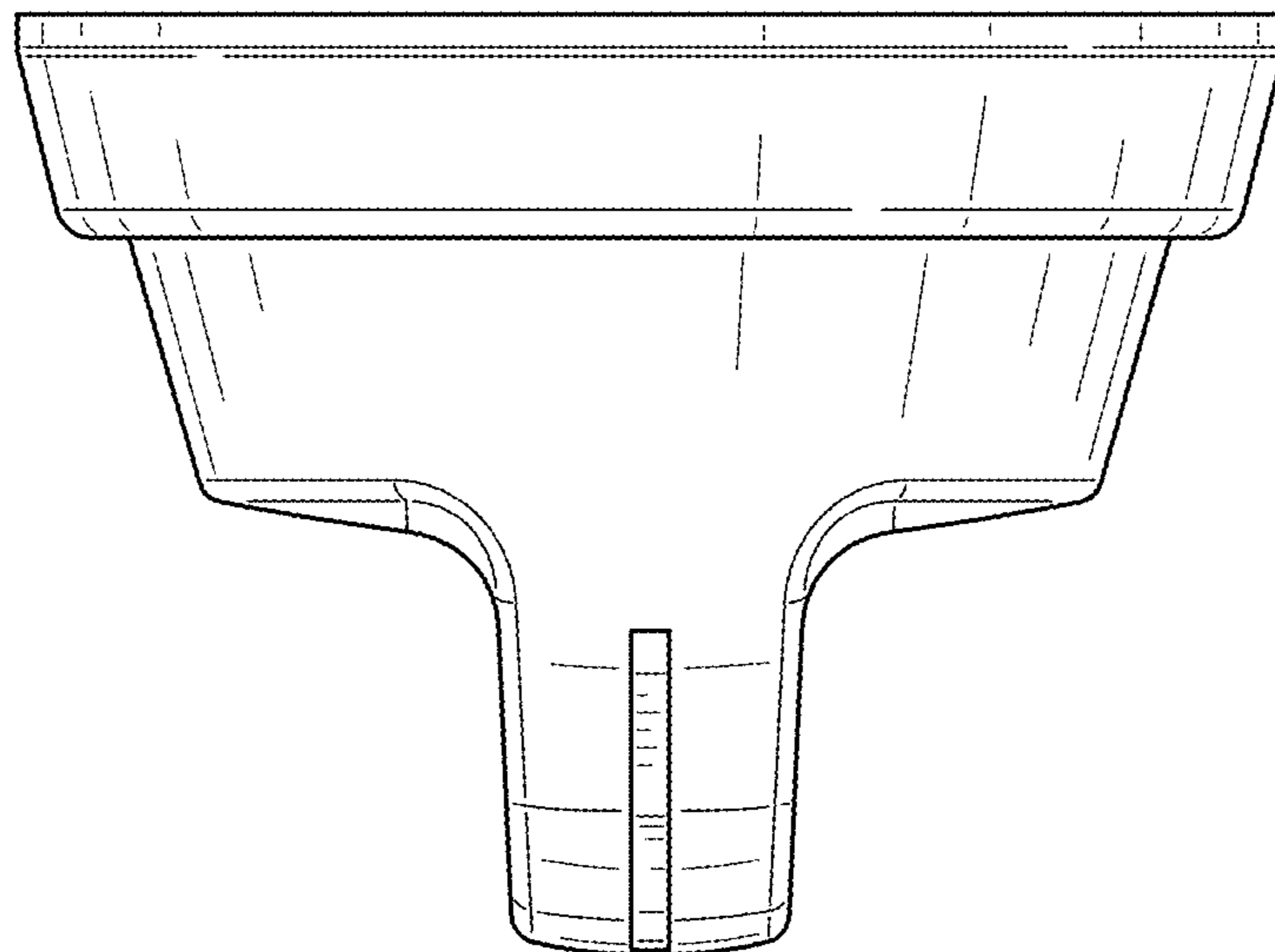


FIG. 5

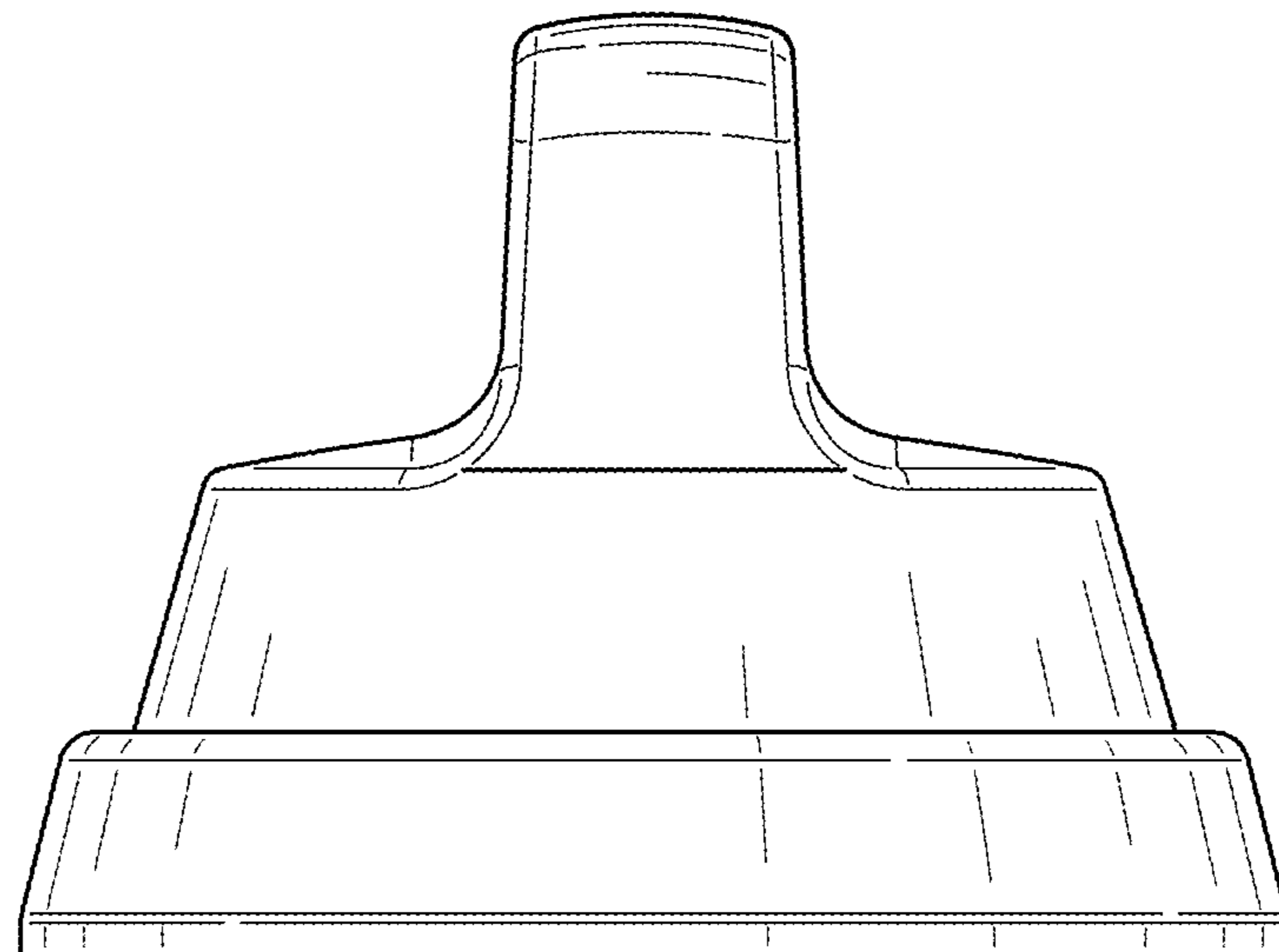


FIG. 6