



US00D779302S

(12) **United States Design Patent** (10) **Patent No.:** **US D779,302 S**
Lizotte (45) **Date of Patent:** **** Feb. 21, 2017**

(54) **PIVOTING HANDLE FOR CABINET DOOR**

85/12; E05B 85/10; E05B 7/00; E05B 1/0053; E05B 77/265

(71) Applicant: **ROUSSEAU MÉTAL INC.**,
Saint-Jean-Port-Joli, Qc (CA)

See application file for complete search history.

(72) Inventor: **Gerry Lizotte**, Saint-Agapit (CA)

(56) **References Cited**

(73) Assignee: **ROUSSEAU MÉTAL INC.**, Quebec
(CA)

U.S. PATENT DOCUMENTS

(**) Term: **15 Years**

(21) Appl. No.: **29/552,659**

D219,278 S *	11/1970	Protzmann	D20/42
D427,045 S *	6/2000	Larsen	D8/302
D539,634 S *	4/2007	Tanaka	D8/301
D559,077 S *	1/2008	Samhammer	D8/331
D585,468 S *	1/2009	Burns	D15/142
D592,936 S *	5/2009	Douglas	D8/330
D624,800 S *	10/2010	Burns	D8/301
D639,636 S *	6/2011	Krakoff	D8/338
D661,172 S *	6/2012	Pickar	D8/301
D683,205 S *	5/2013	Cramer	D8/331
D722,260 S *	2/2015	Warmenhoven	D8/330
D766,067 S *	9/2016	Hyde	D8/330

(Continued)

(22) Filed: **Jan. 25, 2016**

(51) **LOC (10) Cl.** **08-06**

(52) **U.S. Cl.**
USPC **D8/302**

(58) **Field of Classification Search**

USPC ... D8/300-302, 307-309, 310, 311, 10, 331,
D8/338; D23/250, 252; 292/336.3;
74/523, 543; 70/192, 201, 206, 207;
16/110.1, 412, 416, DIG. 30

CPC Y10T 16/44; Y10T 74/20612; Y10T
74/20732; Y10T 16/458; Y10T 16/498;
Y10T 16/469; Y10T 16/476; Y10T
74/20744; Y10T 74/20864; Y10T
16/4628; Y10T 74/20642; Y10T 16/473;
Y10T 74/20762; Y10T 74/2042; Y10T
74/20828; Y10T 16/459; Y10T 16/4713;
Y10T 74/2014; Y10T 16/50; Y10T
74/20438; Y10T 74/20582; Y10T
74/20738; Y10T 16/48; Y10T 74/20618;
Y10T 74/20684; Y10T 74/20624; Y10T
74/20468; Y10T 16/61; Y10T 16/4719;
Y10T 16/86; Y10S 16/30; Y10S 292/31;
Y10S 292/53; Y10S 16/12; Y10S 292/23;
Y10S 292/27; Y10S 292/30; Y10S
292/63; E05B 85/16; E05B 1/0015; E05B
77/06; E05B 79/06; E05B 85/18; E05B

Primary Examiner — Derrick Holland

Assistant Examiner — Lauren Calve

(74) *Attorney, Agent, or Firm* — Muirhead and Saturnelli,
LLC

(57) **CLAIM**

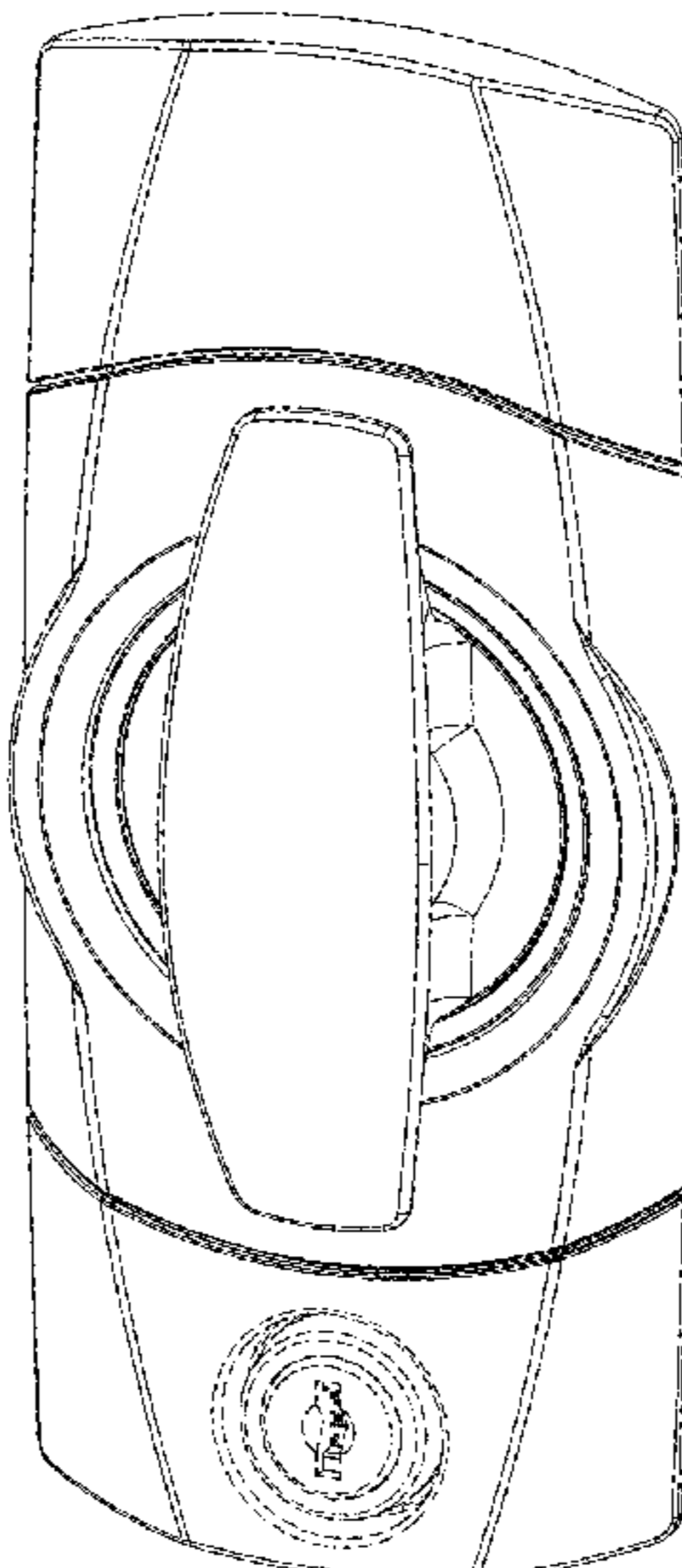
The ornamental design for a pivoting handle for cabinet door, as shown and described.

DESCRIPTION

FIG. 1 is a perspective view of a pivoting handle for cabinet door showing the new design;
FIG. 2 is a front view thereof;
FIG. 3 is a left side view thereof;
FIG. 4 is a right side view thereof;
FIG. 5 is a top plan view thereof;
FIG. 6 is a bottom plan view thereof; and,
FIG. 7 is a rear view thereof.

The broken lines shown represent unclaimed subject matter and form no part of the claimed design.

1 Claim, 4 Drawing Sheets



(56)

References Cited

U.S. PATENT DOCUMENTS

2013/0270844	A1 *	10/2013	Berger	E05B 1/003
					292/336.3
2015/0368940	A1 *	12/2015	Maeng	E05B 47/02
					292/336.3

* cited by examiner

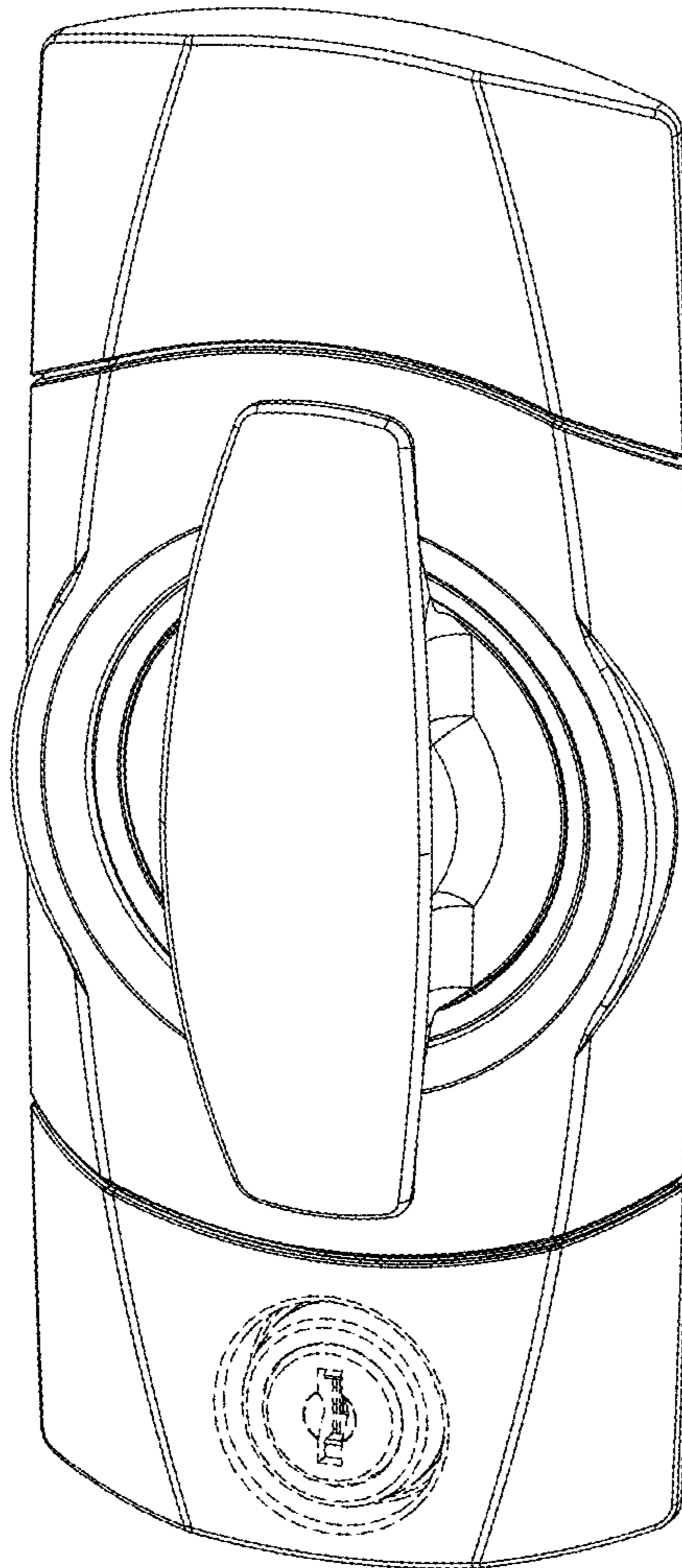


FIG. 1

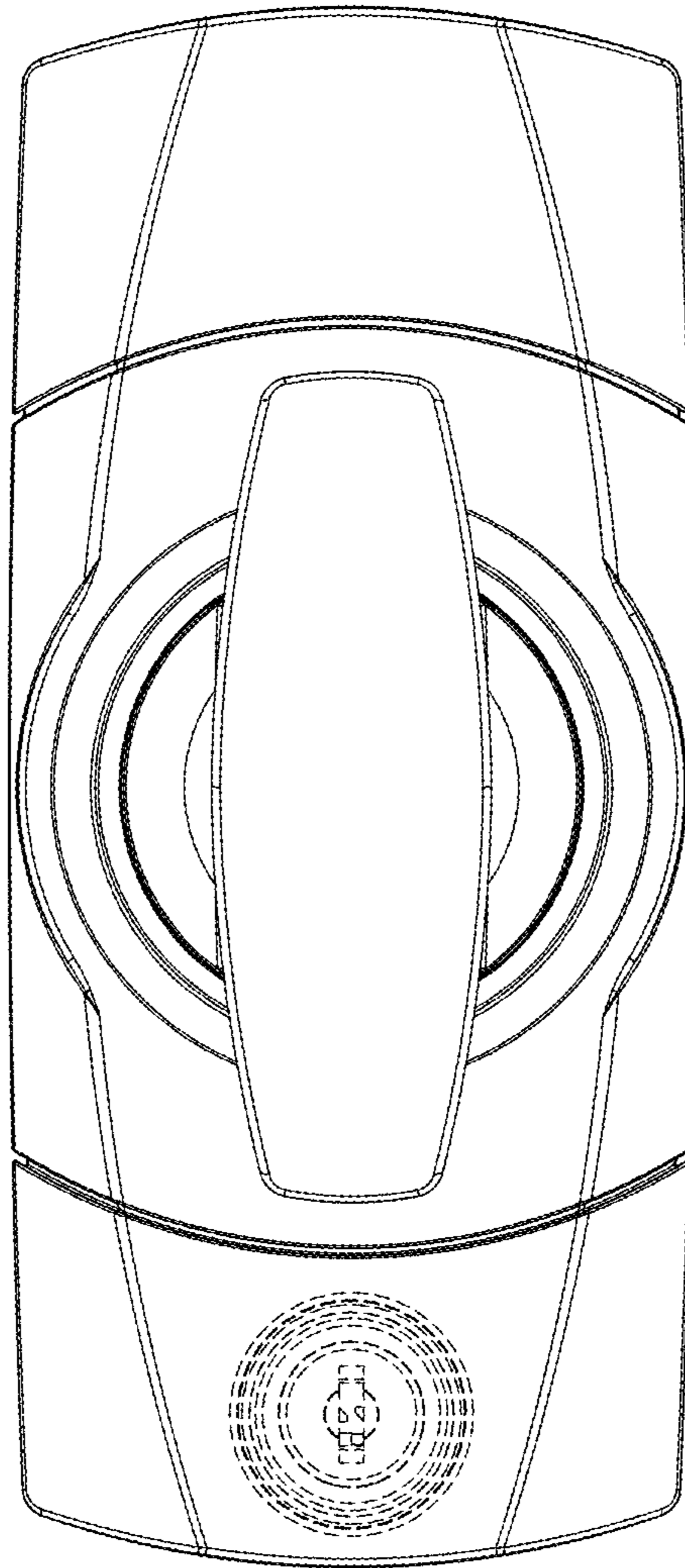


FIG. 2

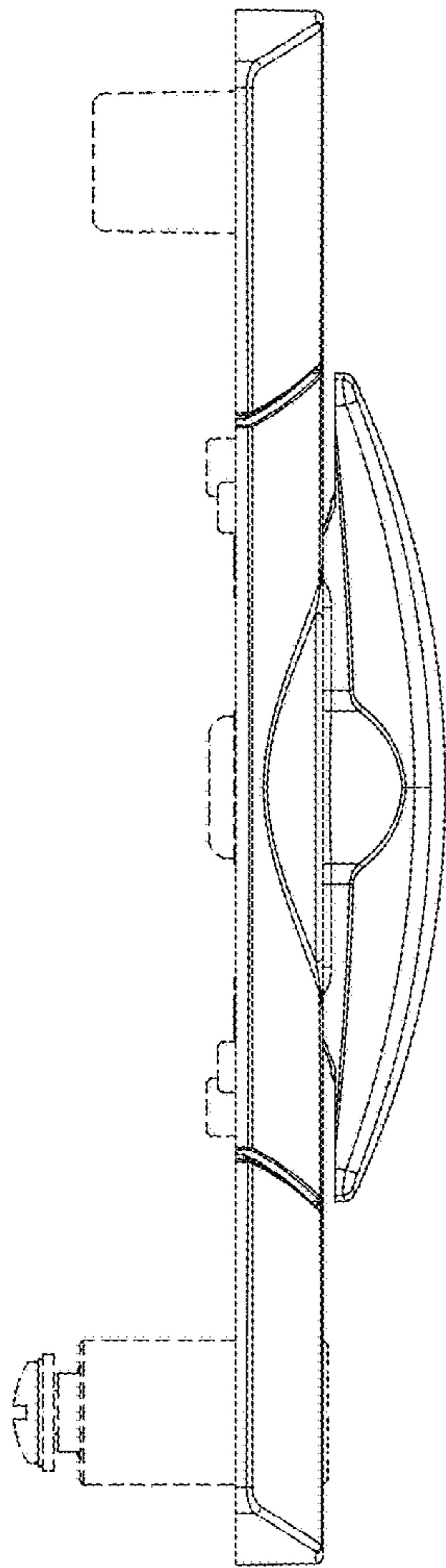


FIG. 3

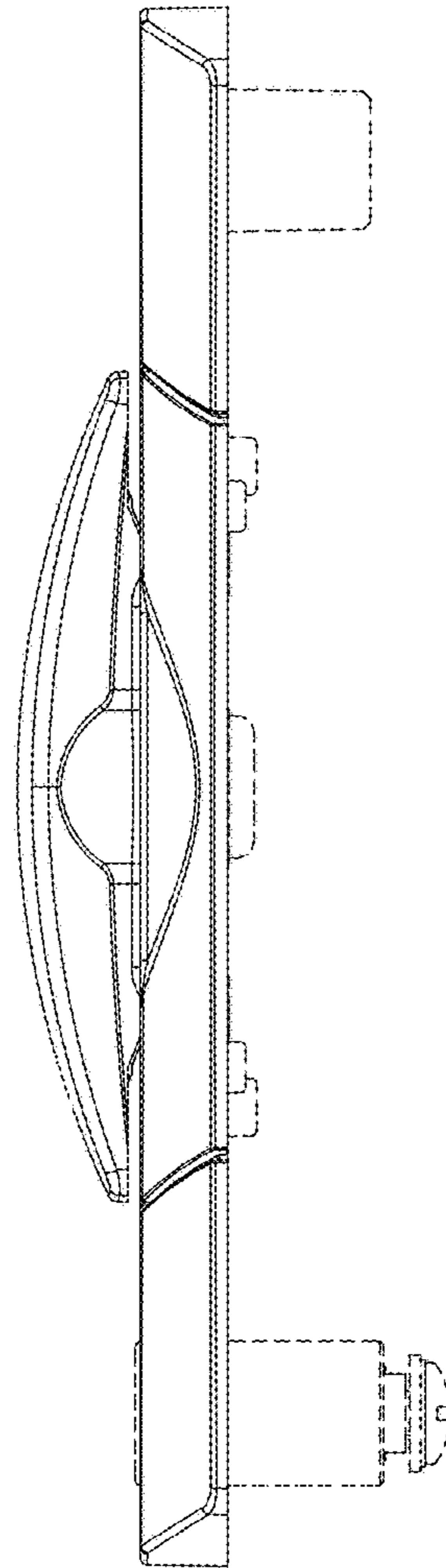


FIG. 4

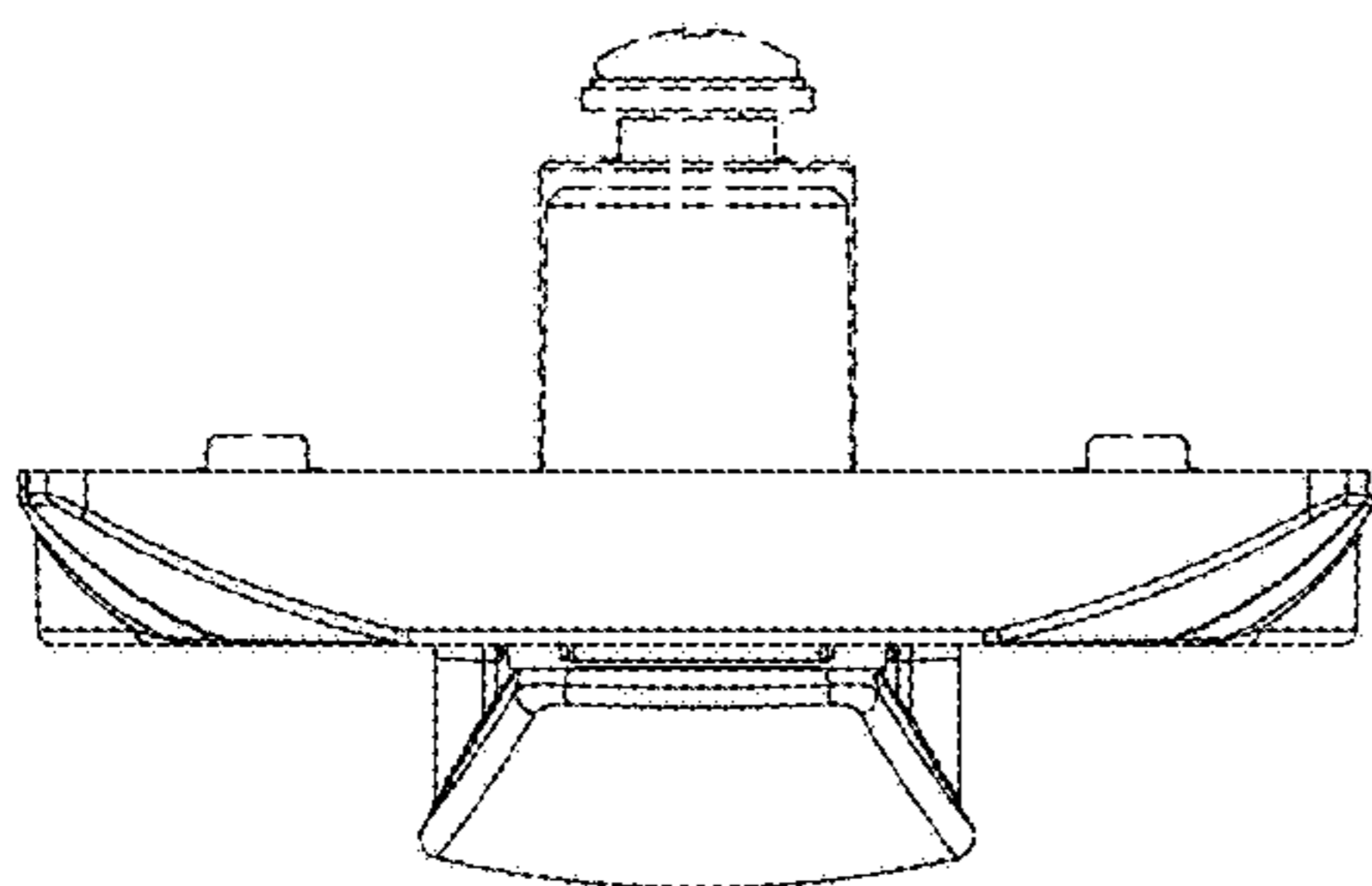


FIG. 5

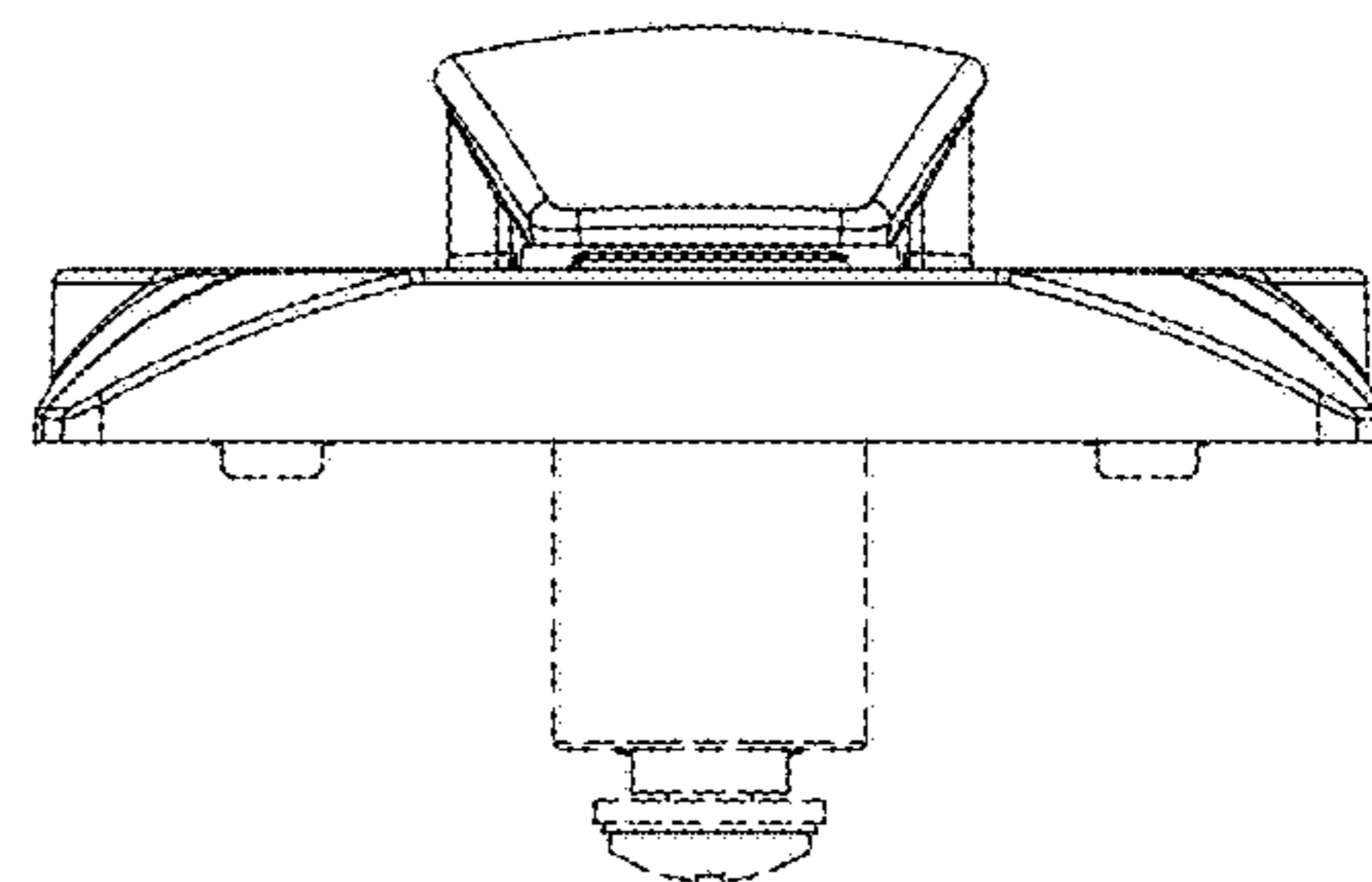


FIG. 6

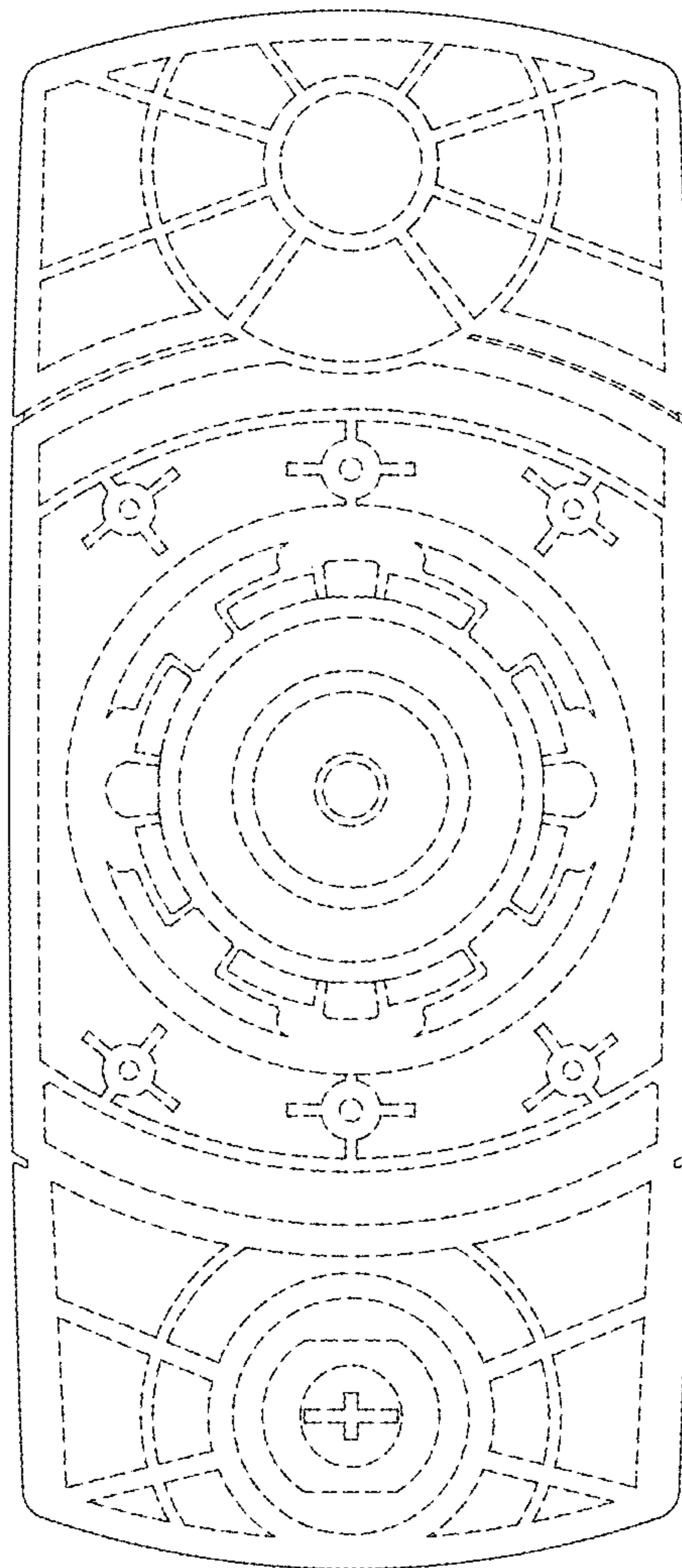


FIG. 7