



US00D779299S

(12) **United States Design Patent** (10) **Patent No.:** **US D779,299 S**  
**Foxx et al.** (45) **Date of Patent:** **\*\* Feb. 21, 2017**

|  |                   |         |           |       |                          |
|--|-------------------|---------|-----------|-------|--------------------------|
| (54) <b>PIPE CLAMP WEDGE</b>   | D538,147 S *      | 3/2007  | James     | ..... | D8/395                   |
|  | D586,641 S *      | 2/2009  | Flynn     | ..... | D8/71                    |
| (71) Applicant: <b>Strato, Inc.</b> , Piscataway, NJ (US)  | 7,861,981 B2 *    | 1/2011  | Olver     | ..... | F16L 3/137<br>24/16 PB   |
| (72) Inventors: <b>Michael J. Foxx</b> , Hillsborough, NJ (US); <b>Zhen Liu</b> , Montgomery, NJ (US); <b>Larry Hixon</b> , Pittstown, NJ (US); <b>Jennifer Mak</b> , Bridgewater, NJ (US) | D644,505 S *      | 9/2011  | Hall      | ..... | D8/395                   |
|  | 8,371,544 B2      | 2/2013  | Heitmeyer | ..... |                          |
|  | D691,034 S *      | 10/2013 | Field     | ..... | D8/399                   |
|  | D692,746 S *      | 11/2013 | Lawson    | ..... | E04B 2/763<br>D8/394     |
| (73) Assignee: <b>Strato, Inc.</b> , Piscataway, NJ (US)   | D700,835 S *      | 3/2014  | Langlois  | ..... | D8/396                   |
|  | D743,244 S *      | 11/2015 | Anderson  | ..... | D8/394                   |
| (**) Term: <b>15 Years</b>   | 2014/0197284 A1 * | 7/2014  | Hikoyama  | ..... | F16L 3/1211<br>248/74.1  |
|  | 2014/0311732 A1 * | 10/2014 | Bertelsen | ..... | E21B 19/164<br>166/77.51 |

(21) Appl. No.: **29/556,941**

(22) Filed: **Mar. 4, 2016**

(51) **LOC (10) Cl.** ..... **08-05**

(52) **U.S. Cl.**  
USPC ..... **D8/72**

(58) **Field of Classification Search**  
USPC ..... D8/71-74, 394-399, 59; 248/63, 72, 248/74.1, 689, 124.2; 81/487, 385, 386, 81/388-390; 269/3, 4, 6, 143, 165, 240, 269/243, 246-249, 254 R, 147-149; 29/256, 257, 276; 408/103, 104-109  
CPC ..... B25B 1/00; B25B 5/00  
See application file for complete search history.

(56) **References Cited**

**U.S. PATENT DOCUMENTS**

|              |         |          |               |
|--------------|---------|----------|---------------|
| 5,472,158 A  | 12/1995 | Nadhery  |               |
| D474,955 S * | 5/2003  | Saunders | ..... D8/101  |
| D483,254 S * | 12/2003 | Sels     | ..... D8/394  |
| D523,803 S * | 6/2006  | Smith    | ..... D12/223 |

\* cited by examiner

*Primary Examiner* — David Muller

(74) *Attorney, Agent, or Firm* — Pearl Cohen Zedek Latzer Baratz LLP

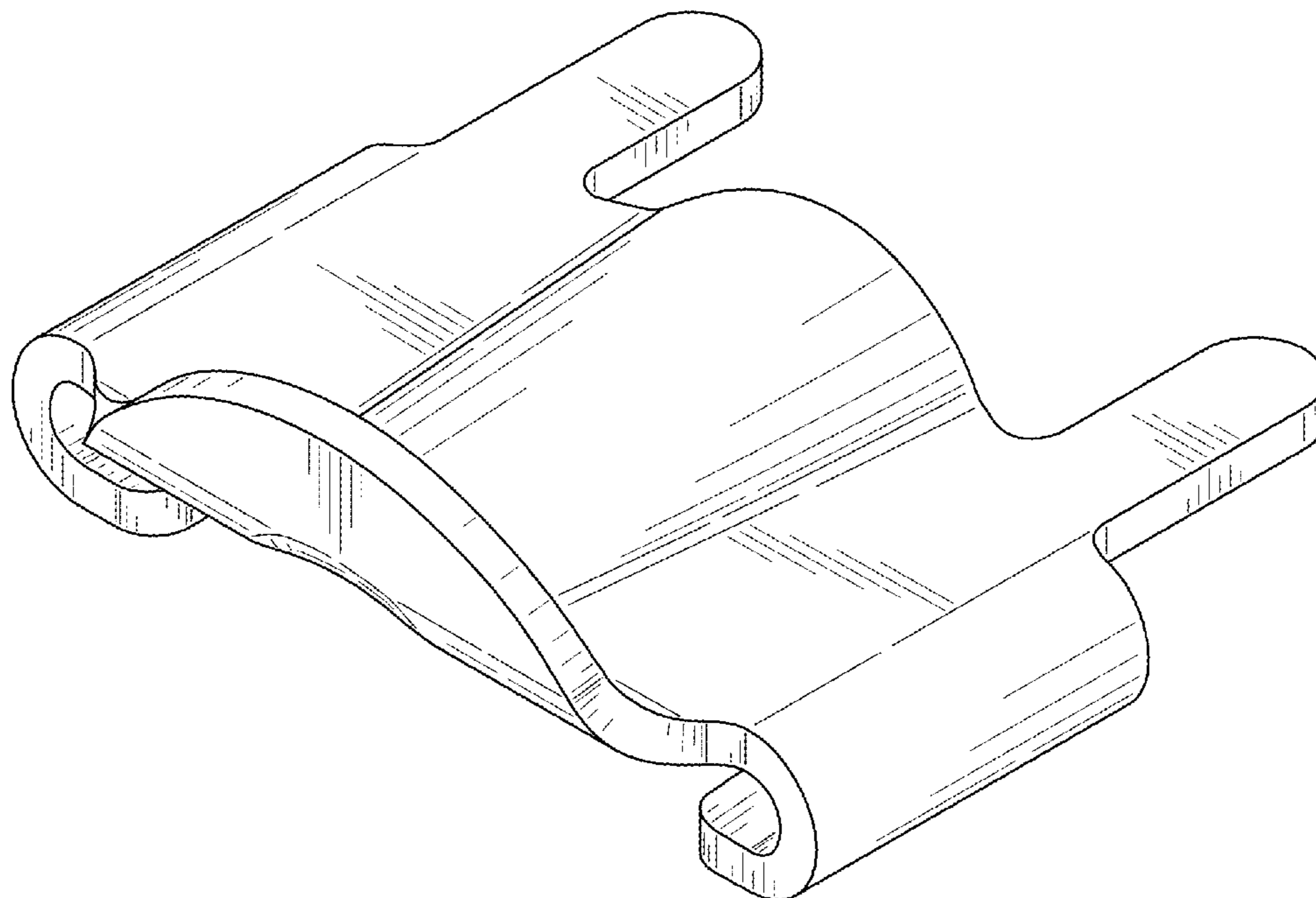
(57) **CLAIM**

The ornamental design for a pipe clamp wedge, as shown and described.

**DESCRIPTION**

FIG. 1 is a perspective view showing our new design for a pipe clamp wedge;  
FIG. 2 is a rear elevation view thereof;  
FIG. 3 is a front elevation view thereof;  
FIG. 4 is a side elevation view which is a mirror of the opposite side elevation;  
FIG. 5 is a top view thereof; and,  
FIG. 6 is a bottom view thereof.

**1 Claim, 4 Drawing Sheets**



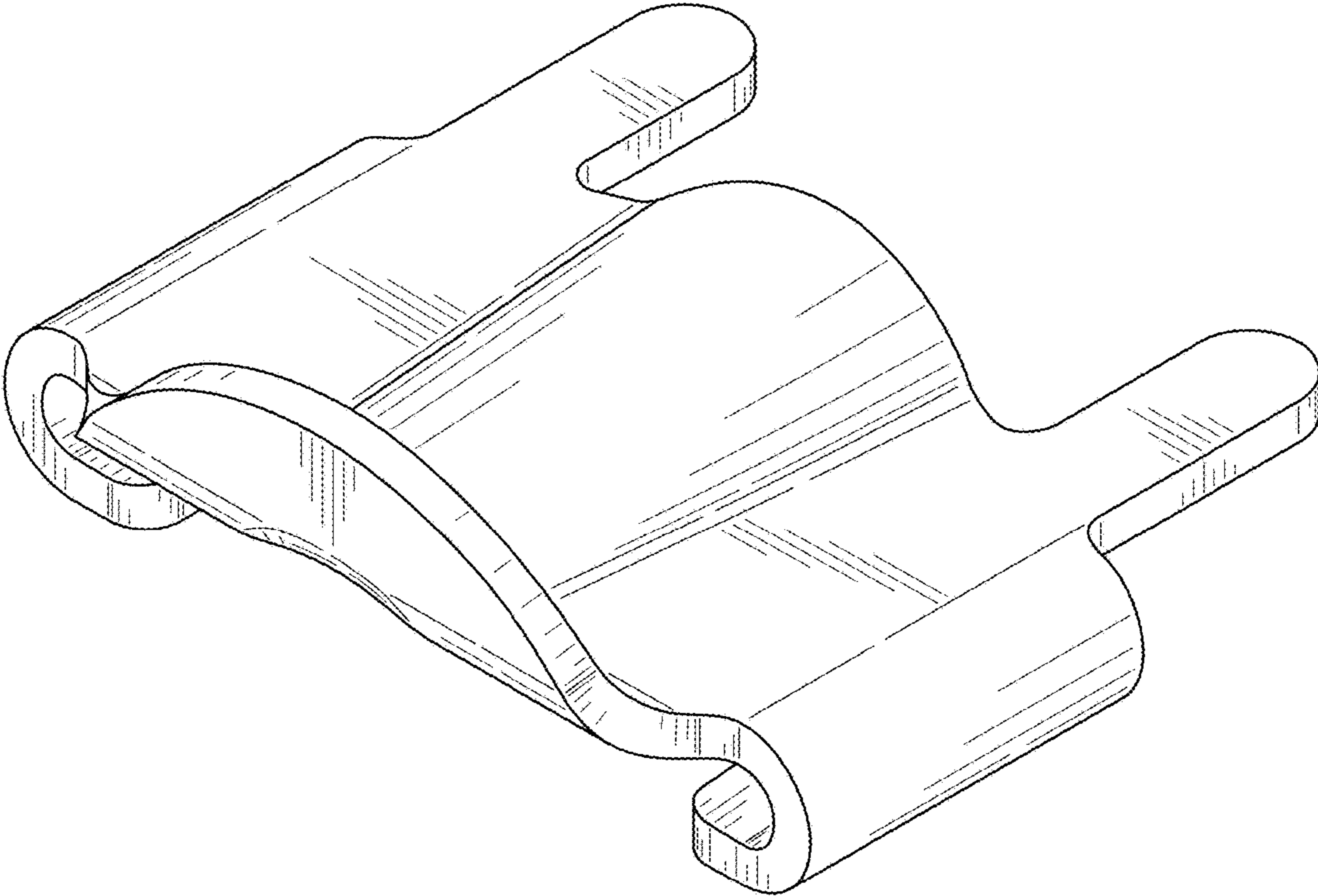


FIG. 1

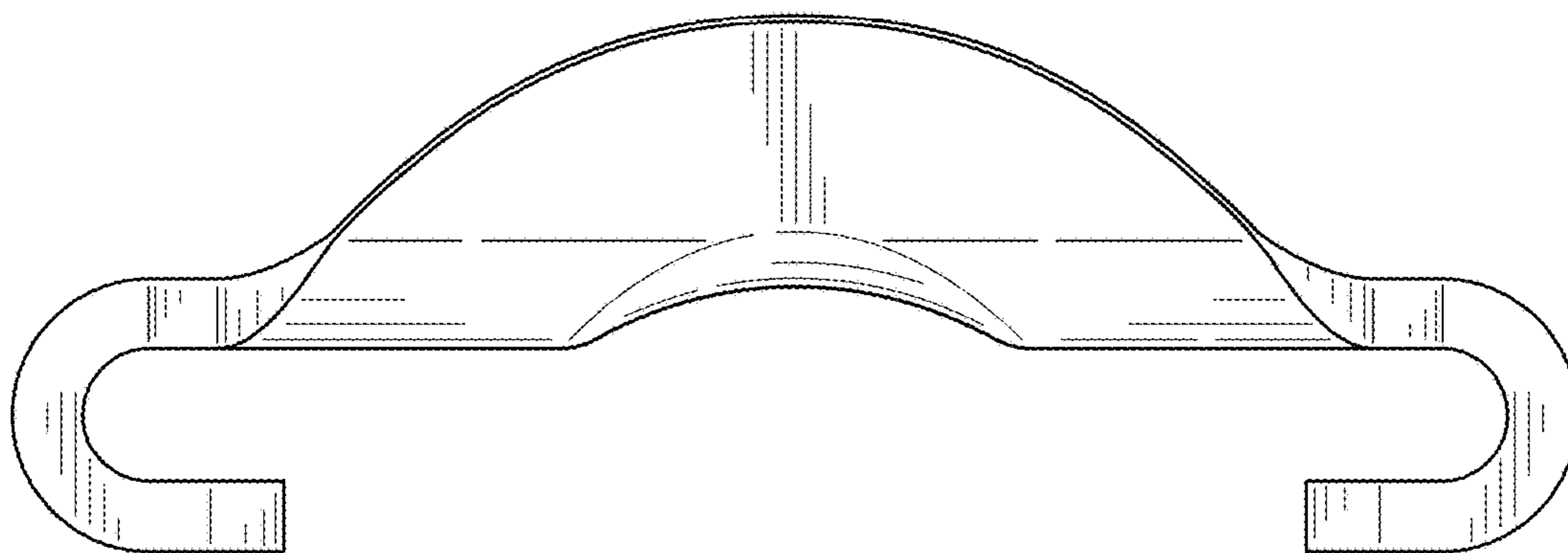


FIG. 2

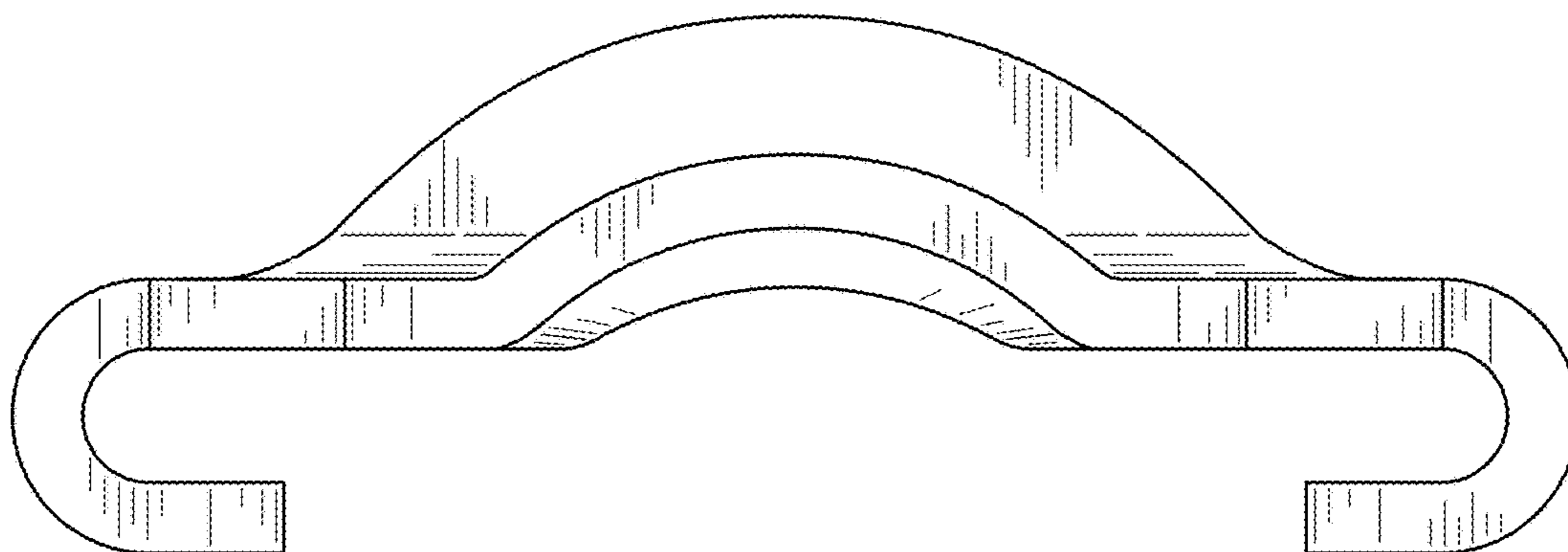


FIG. 3

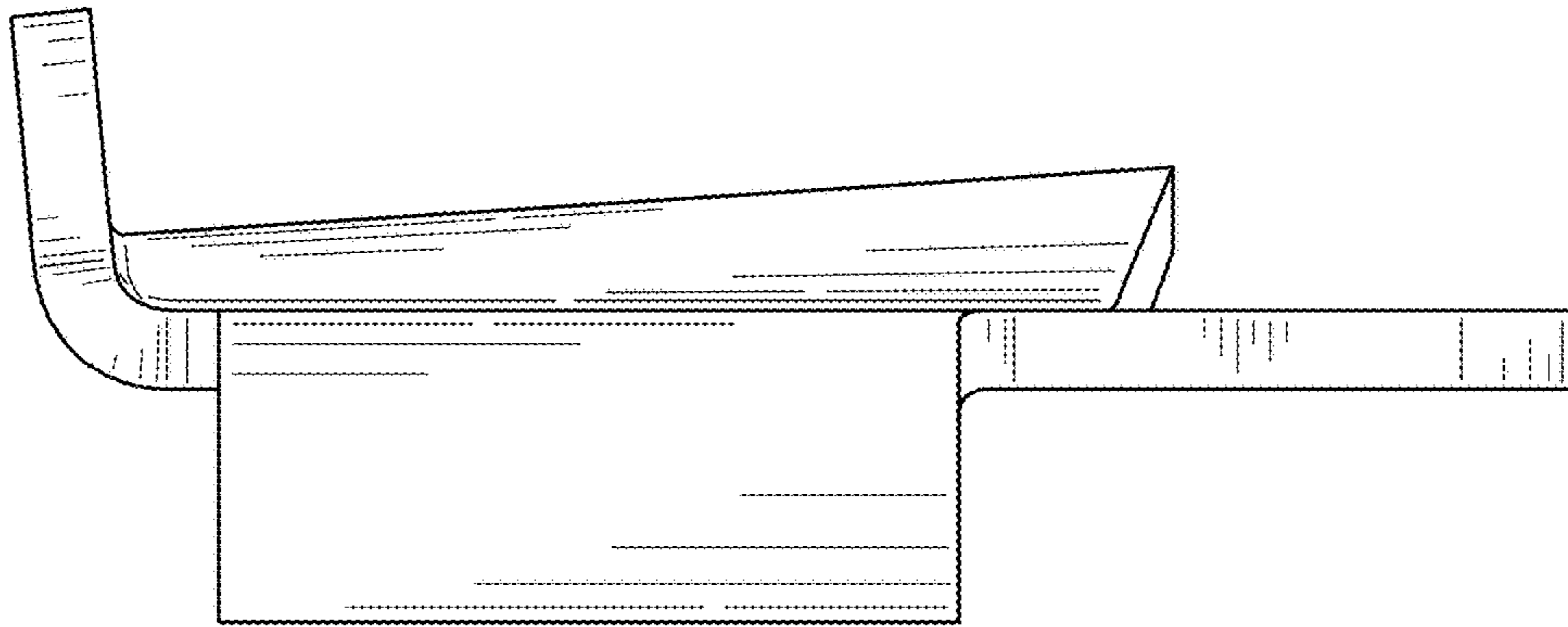


FIG. 4

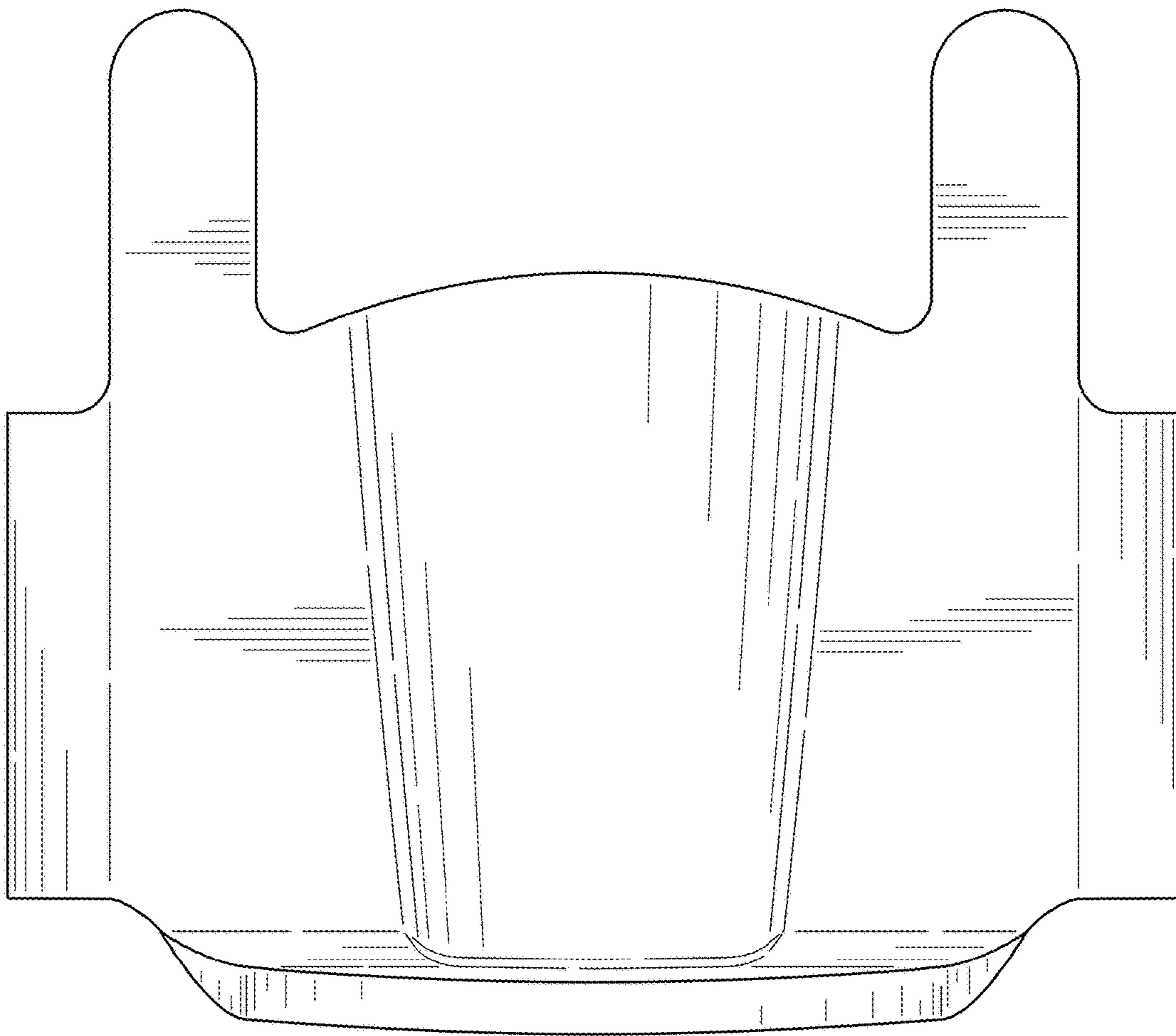


FIG. 5

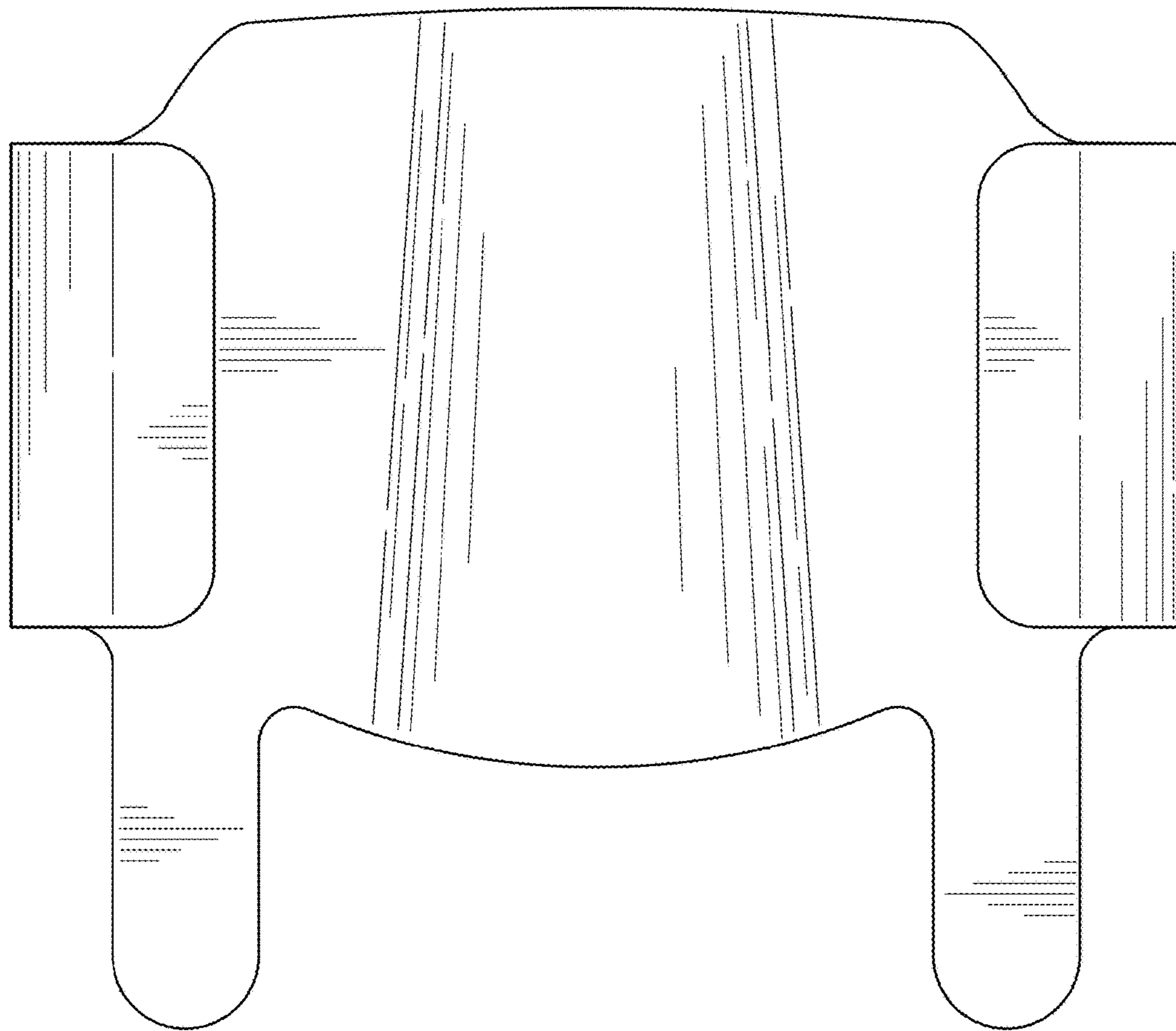


FIG. 6