



US00D779298S

(12) **United States Design Patent** (10) **Patent No.:** **US D779,298 S**  
**Tempel** (45) **Date of Patent:** **\*\* Feb. 21, 2017**

(54) **HAND HELD TOOL** 2,065,340 A 12/1936 McNaught et al.  
4,699,029 A 10/1987 Kelly et al.  
(71) Applicant: **Neoperl GmbH**, Mullheim (DE) 4,817,475 A 4/1989 Kelly et al.  
4,922,770 A 5/1990 Dlugolecki et al.  
(72) Inventor: **Marc Tempel**, Freiburg (DE) 5,295,422 A 3/1994 Chow  
5,476,024 A \* 12/1995 Hsieh ..... B25B 13/065  
81/121.1  
(73) Assignee: **Neoperl GmbH**, Müllheim (DE) D376,521 S \* 12/1996 Farnan ..... D8/29  
D400,769 S \* 11/1998 Duke ..... D8/21  
(\*\*) Term: **15 Years** (Continued)

(21) Appl. No.: **29/535,712**

(22) Filed: **Aug. 10, 2015**

**Related U.S. Application Data**

(62) Division of application No. 29/473,622, filed on Nov. 25, 2013, now Pat. No. Des. 738,173, which is a division of application No. 29/402,285, filed on Sep. 22, 2011, now abandoned.

(30) **Foreign Application Priority Data**

Mar. 30, 2011 (EM) ..... 001268072

(51) **LOC (10) Cl.** ..... **08-05**

(52) **U.S. Cl.**  
USPC ..... **D8/29**

(58) **Field of Classification Search**

USPC ..... D8/29, 85, 81, 82; 81/60, 177.1, 177.85,  
81/121.1, 124.3, 165-170, 110.1, 176.2,  
124.6, 81/176.1, 176.15, 177.2; 16/110.1;  
D15/144.1; 219/75, 227, 229, 121.16,  
121.18  
CPC ..... B25B 1/00; B25B 13/00; B25B 31/00  
See application file for complete search history.

(56) **References Cited**

**U.S. PATENT DOCUMENTS**

1,438,908 A 12/1922 Fahlman  
1,696,444 A 12/1928 Miller et al.

**OTHER PUBLICATIONS**

Socket Set Torx 1/4" DRV 22 pcs—77390—Tools. Mar. 1, 2010.  
17 pcs Socket Set (1/4). Mar. 1, 2010.

*Primary Examiner* — Randall Gholson

(74) *Attorney, Agent, or Firm* — Volpe and Koenig, P.C.

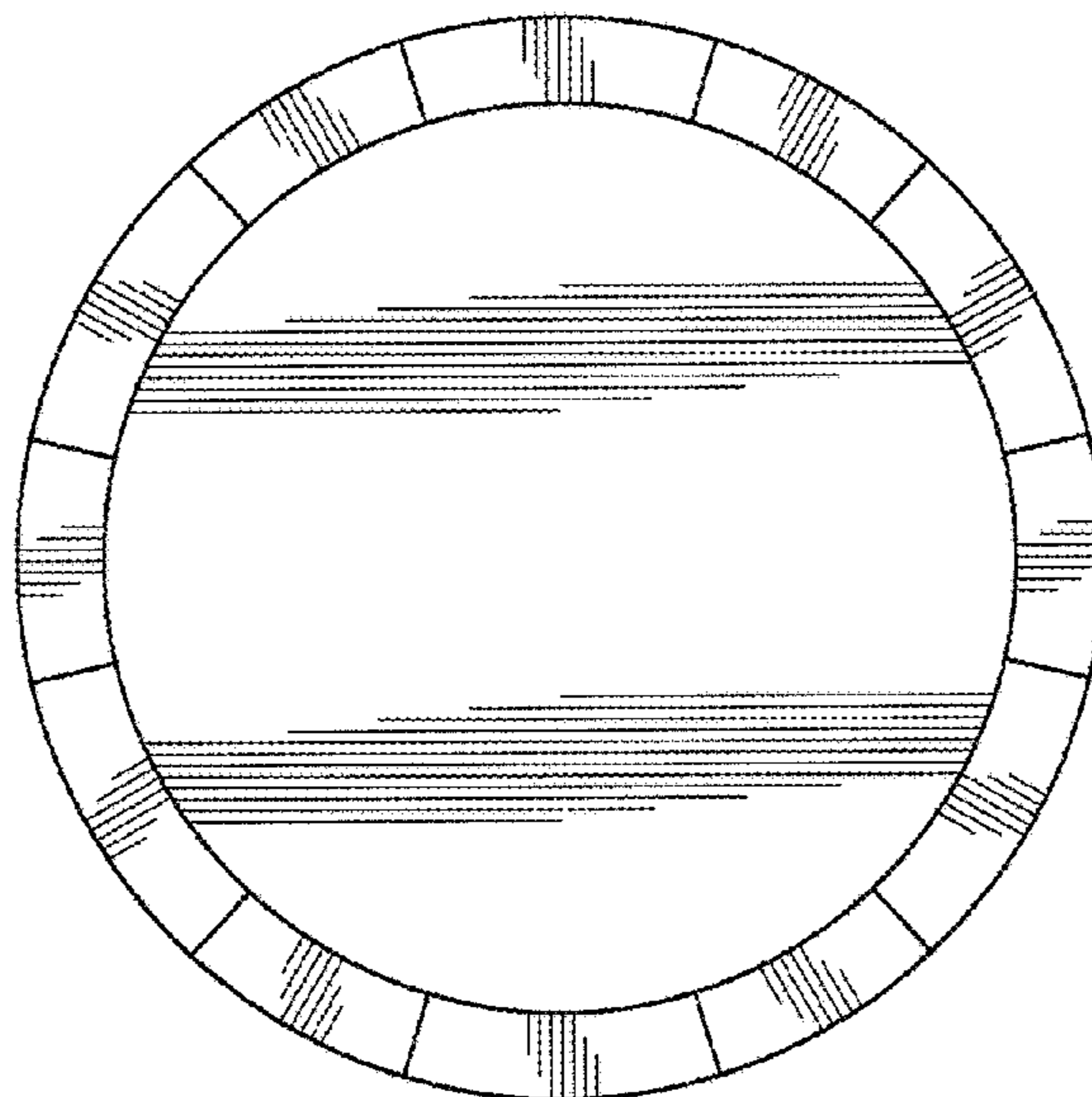
(57) **CLAIM**

The ornamental design for a hand held tool, as shown and described.

**DESCRIPTION**

FIG. 1 is a top plan view of a first embodiment of a hand held tool in accordance with my design;  
FIG. 2 is a top, front, right perspective view thereof;  
FIG. 3 is a bottom view thereof;  
FIG. 4 is a bottom, rear, left perspective view thereof; and  
FIG. 5 is an elevational view thereof;  
FIG. 6 is a top plan view of a second embodiment of a hand held tool in accordance with my design;  
FIG. 7 is a top, front, right perspective view thereof;  
FIG. 8 is a top view thereof; and  
FIG. 9 is a bottom, rear, left perspective view thereof; and,  
FIG. 10 is an elevational view thereof.  
The broken lines depict portions of the hand held tool that form no part of the claimed design.

**1 Claim, 10 Drawing Sheets**



(56)

**References Cited**

U.S. PATENT DOCUMENTS

D405,333	S	2/1999	Wrigley	
D422,863	S	4/2000	Warner et al.	
D425,770	S	5/2000	Hsieh	
D426,438	S *	6/2000	Ciok .....	D8/29
D434,291	S *	11/2000	Kim .....	D8/21
6,176,157	B1	1/2001	Ure	
6,745,649	B1	6/2004	Liao	
6,901,824	B1	6/2005	Chen	
6,945,142	B1	9/2005	Chen	
7,066,056	B1	6/2006	Hsieh	
7,117,769	B2	10/2006	Somers	
7,159,491	B1	1/2007	Chaconas et al.	
D628,868	S	12/2010	Laurie	
D630,920	S	1/2011	Smith	
8,205,529	B1	6/2012	Laurie	

\* cited by examiner

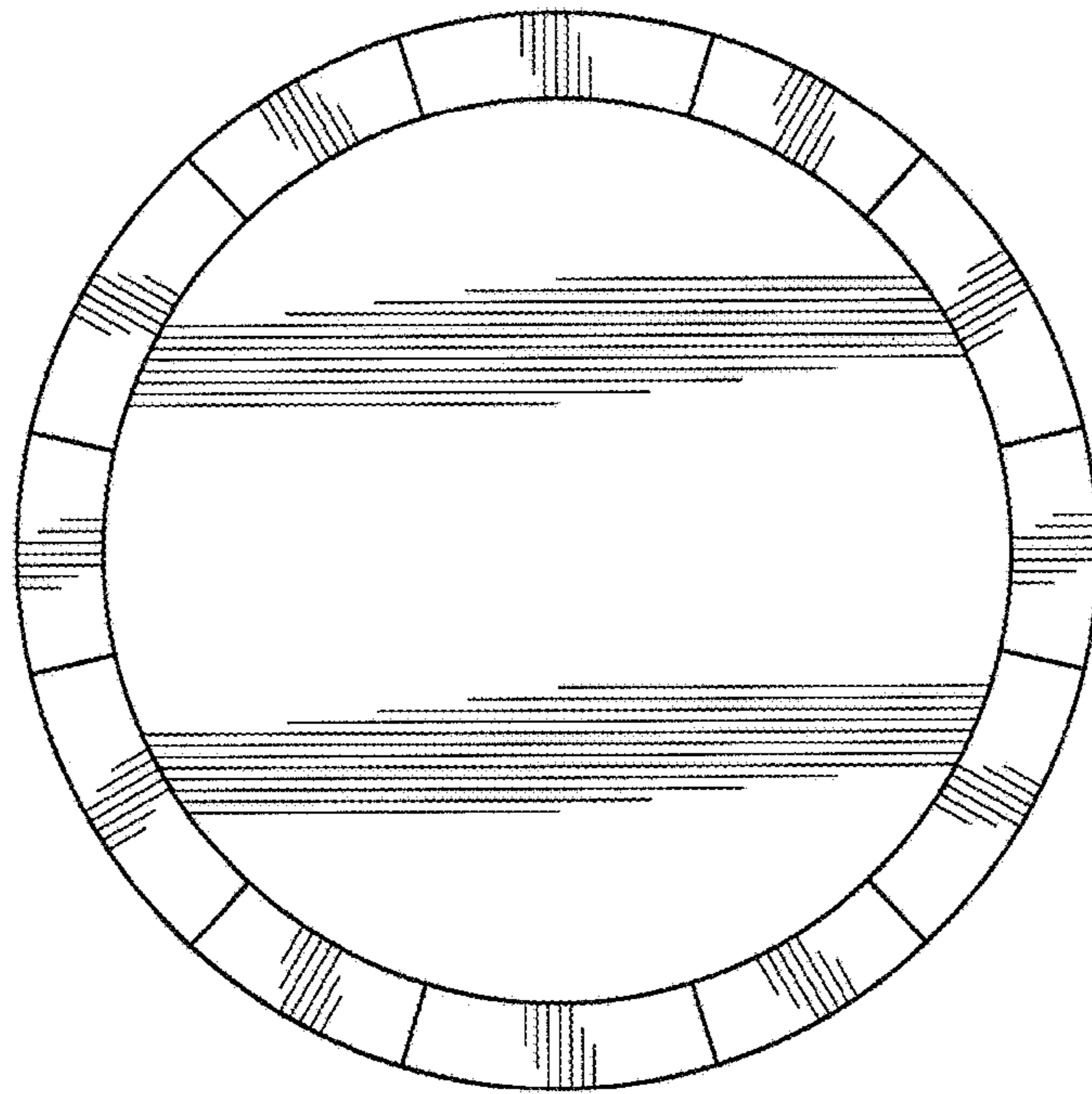


Fig. 1

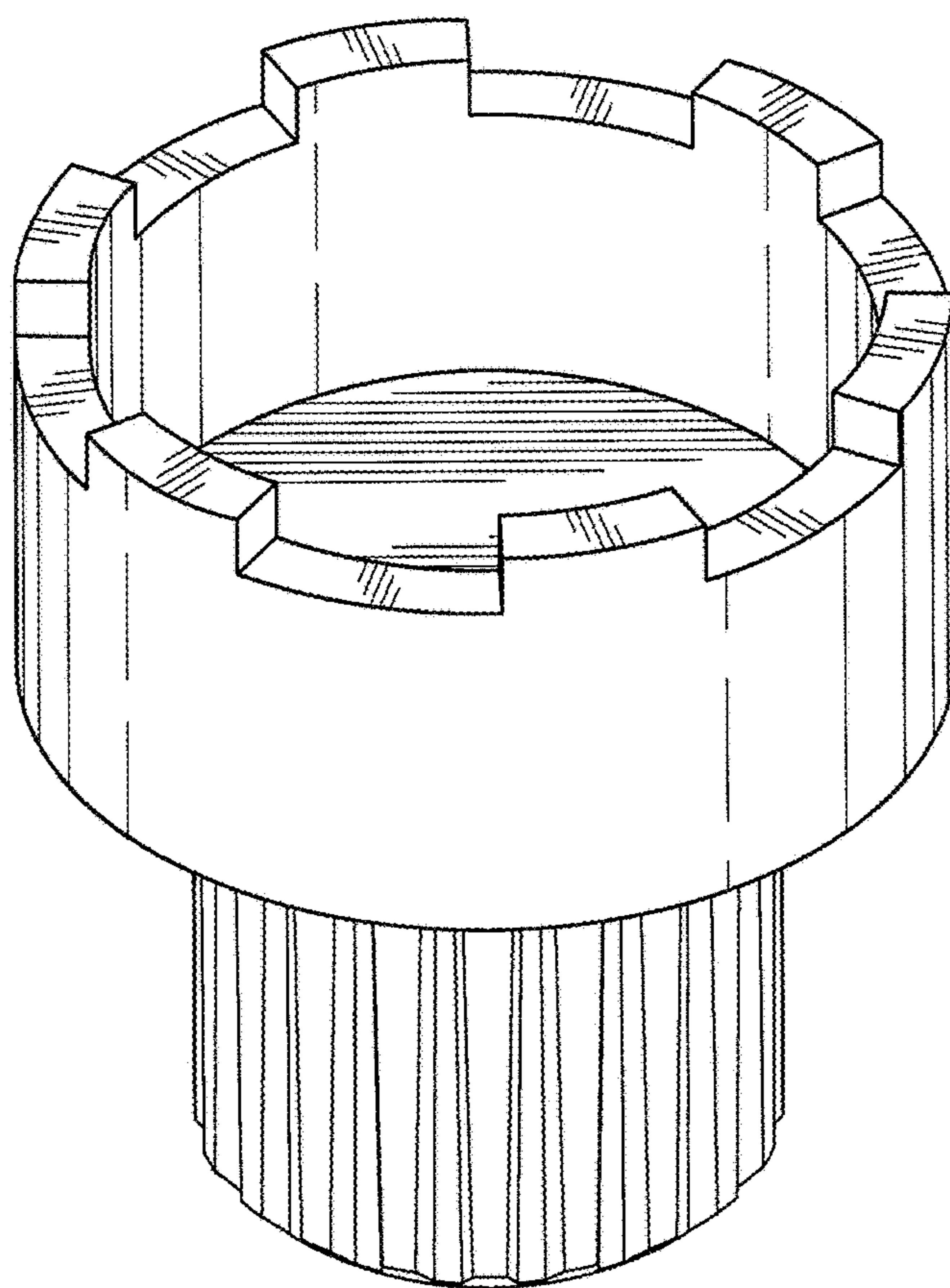


Fig. 2

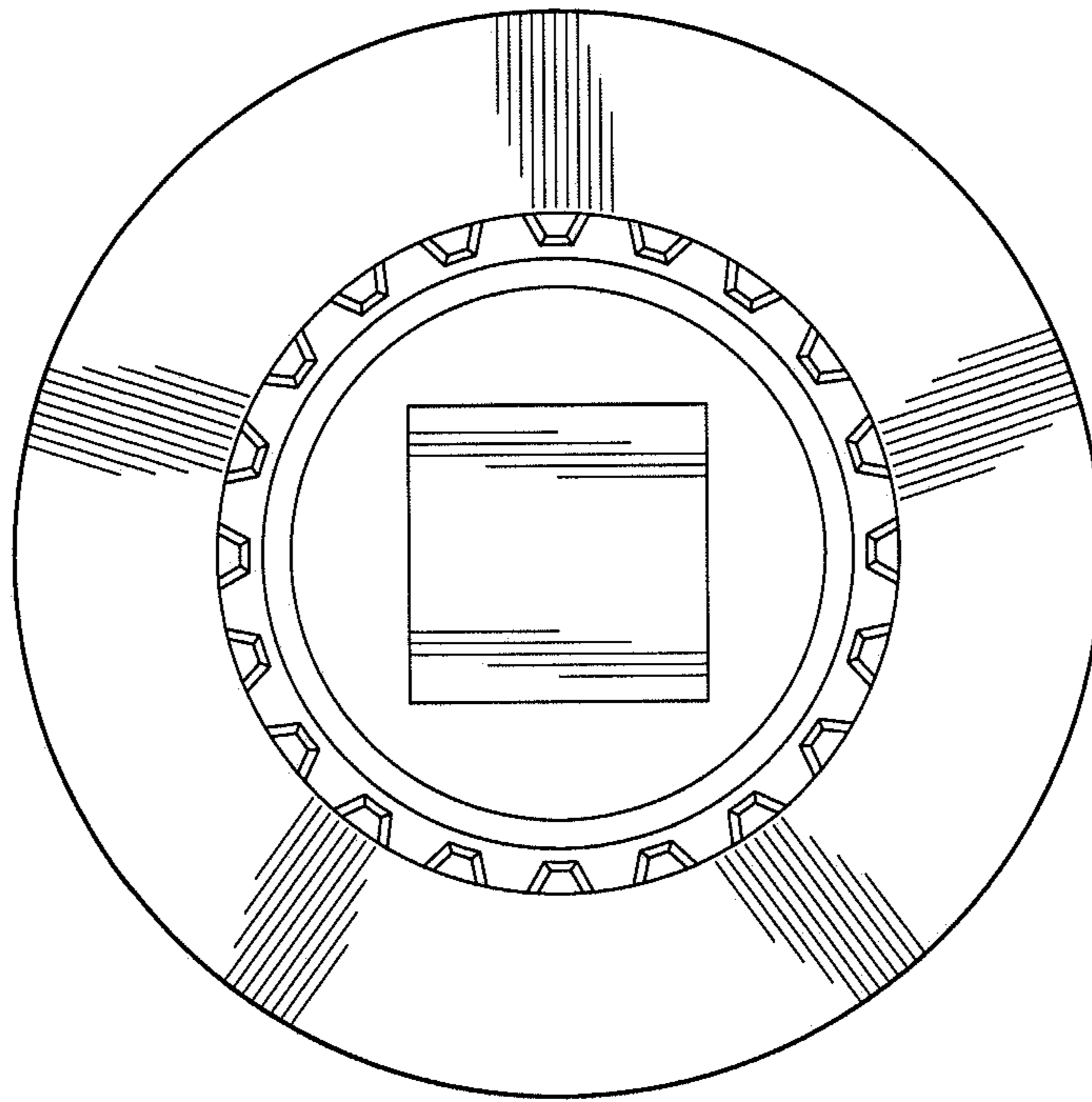


Fig. 3



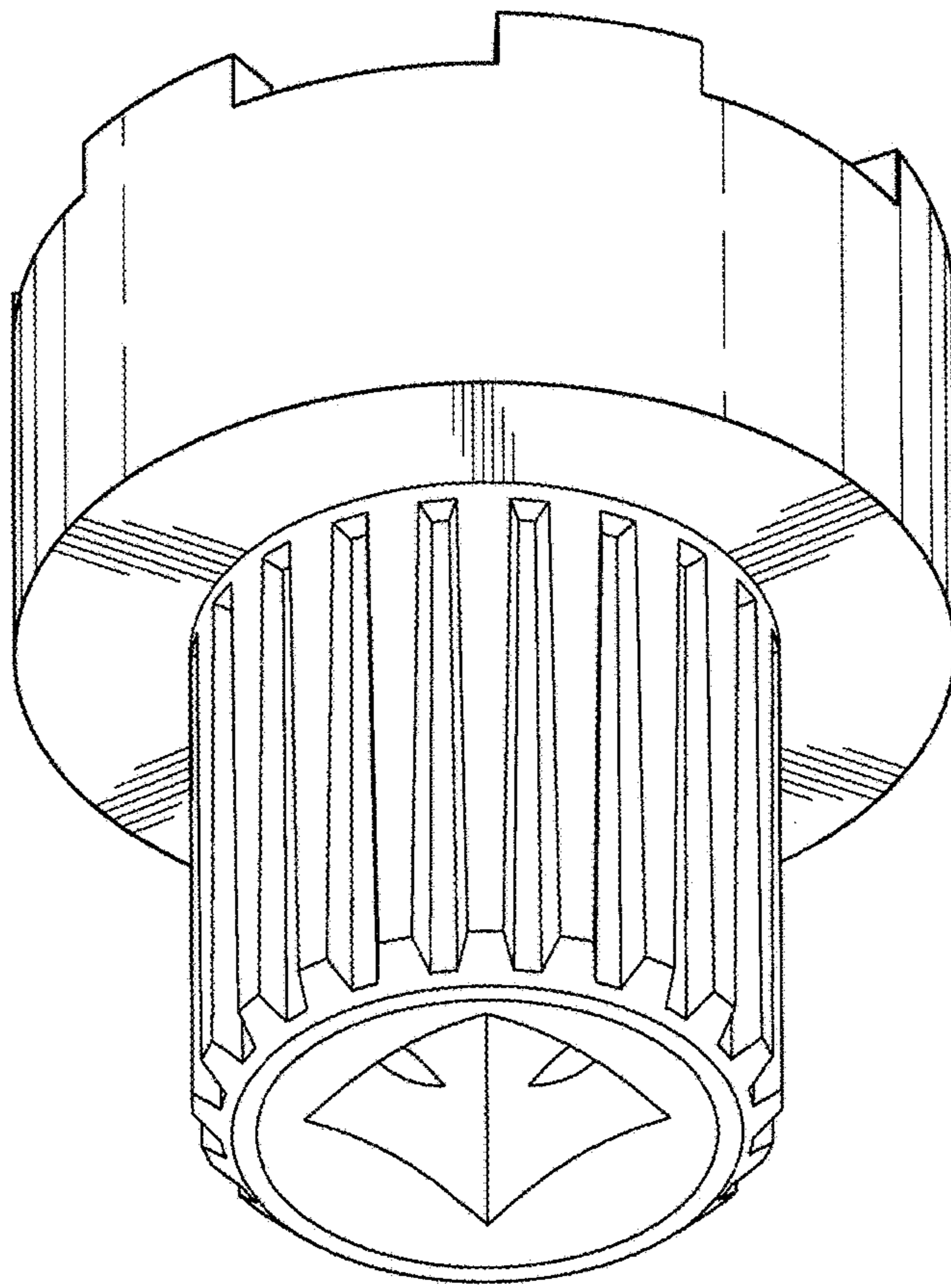


Fig. 4

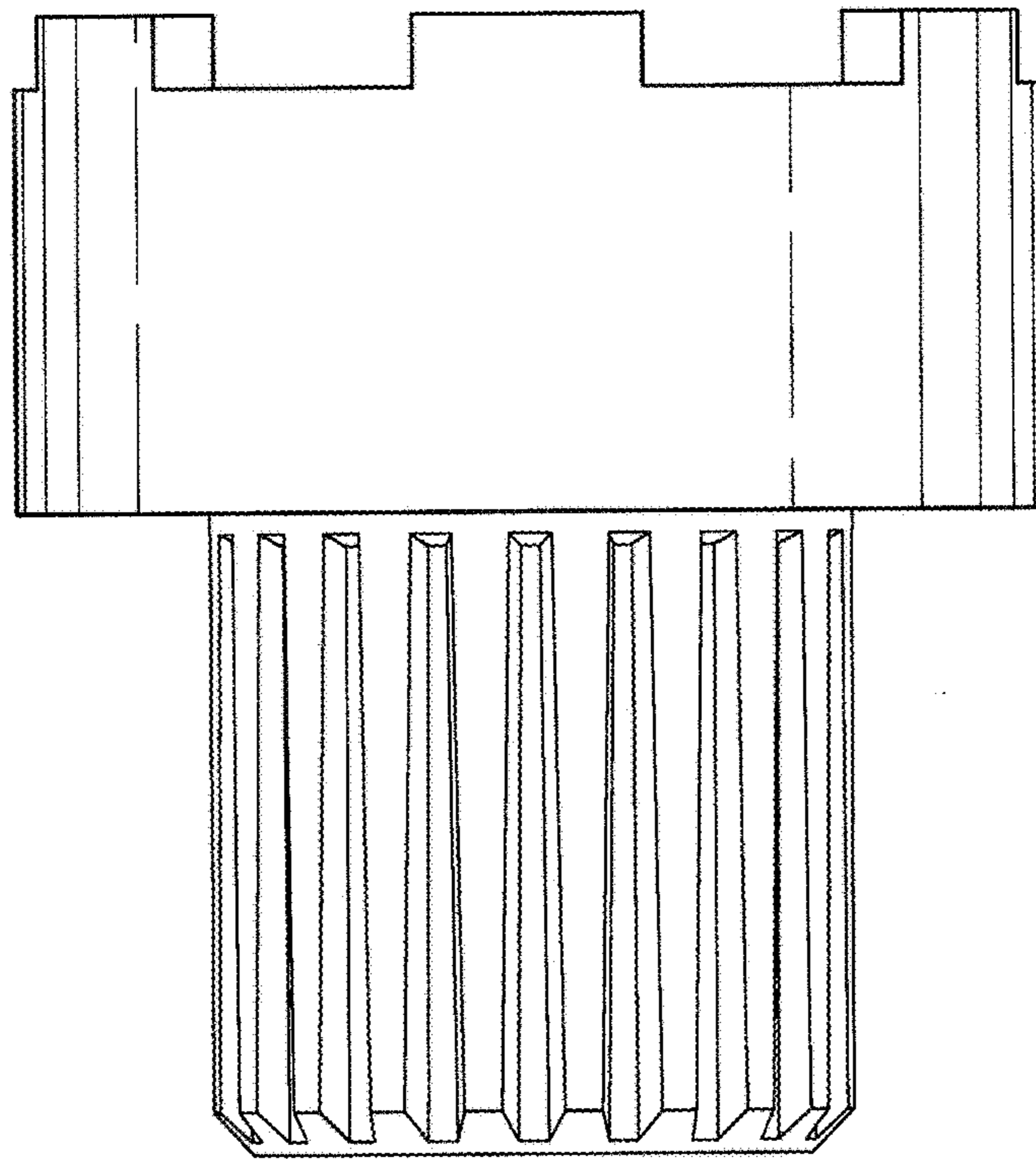


Fig. 5

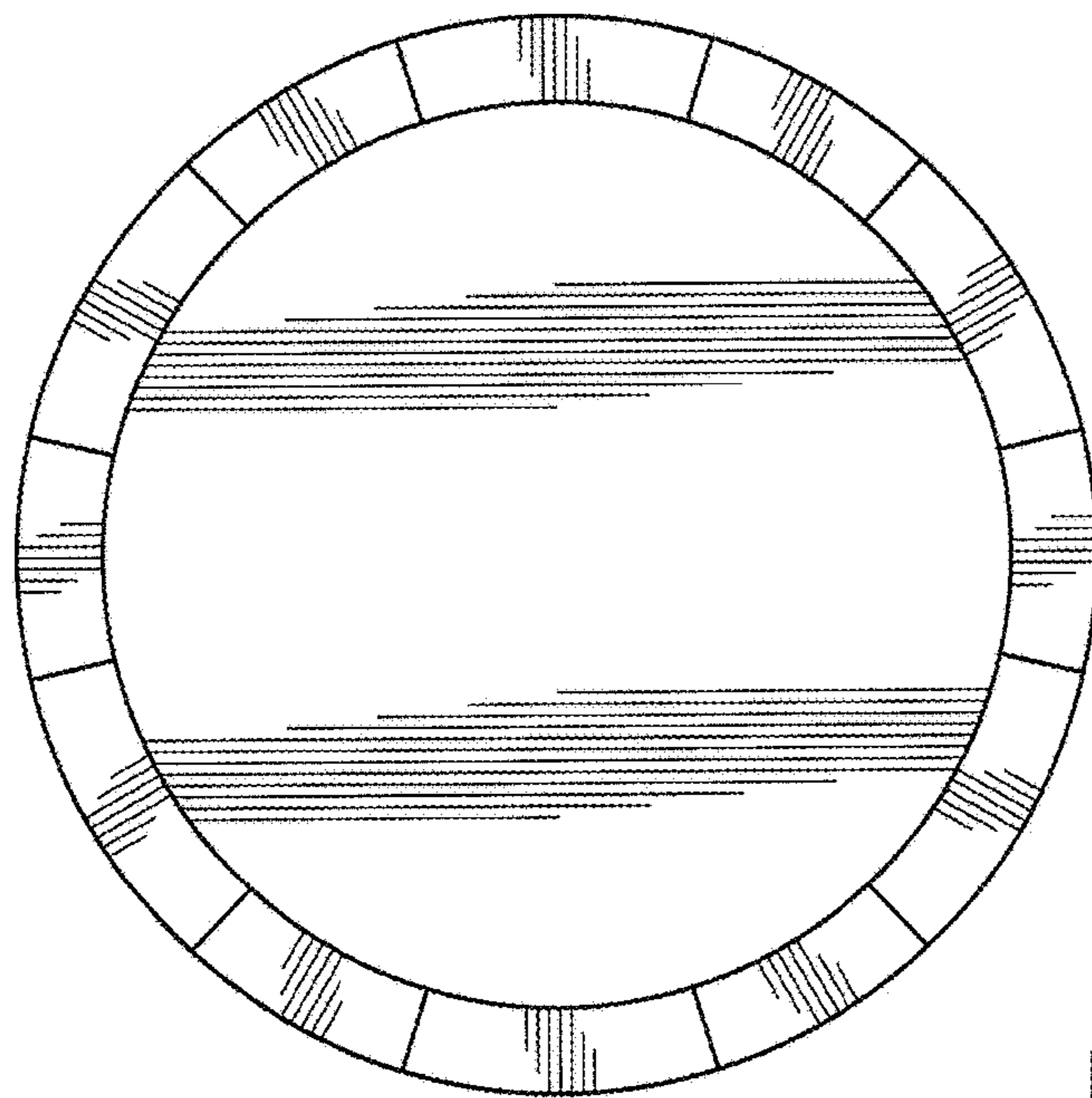


Fig. 6



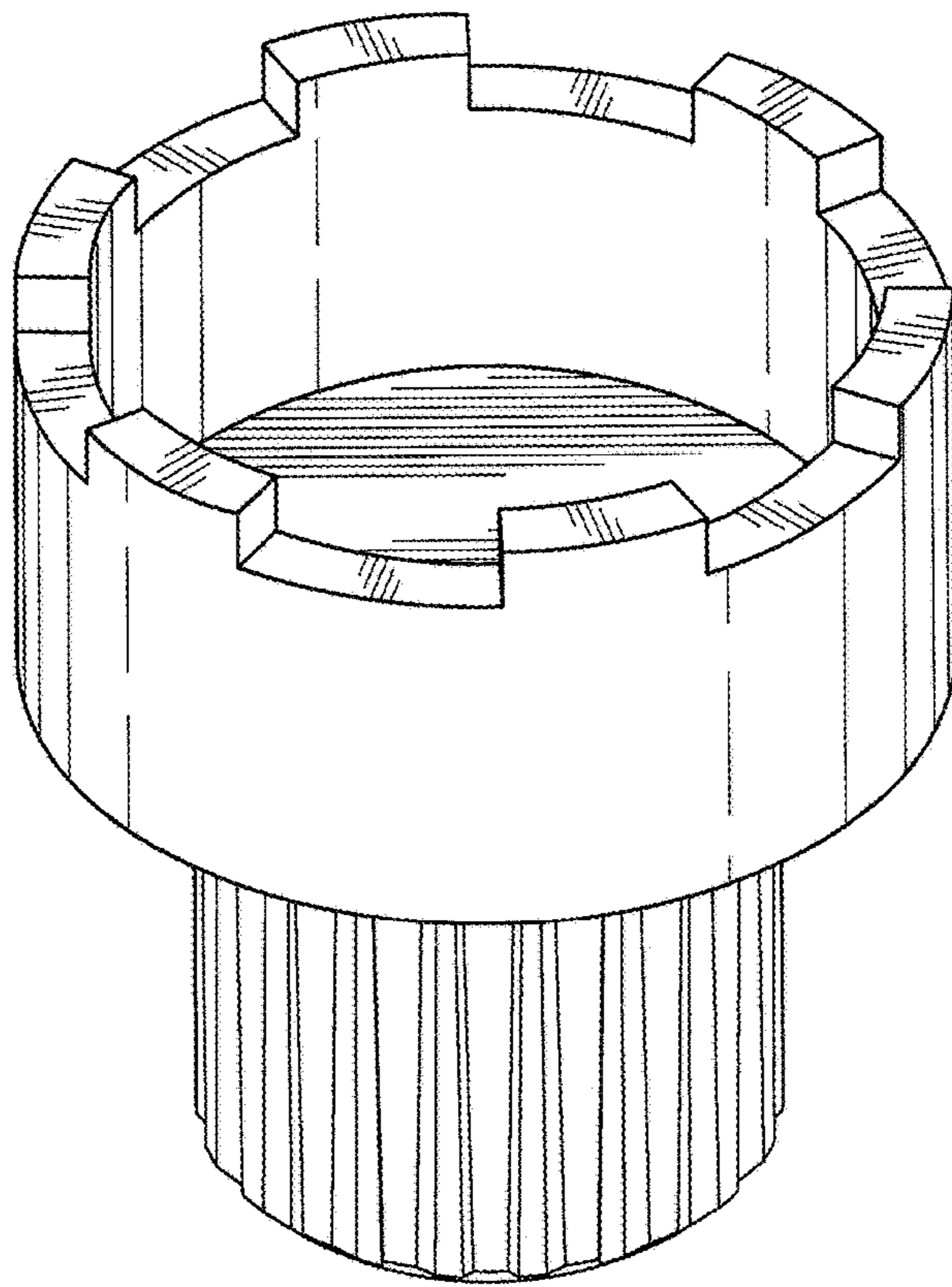


Fig. 7

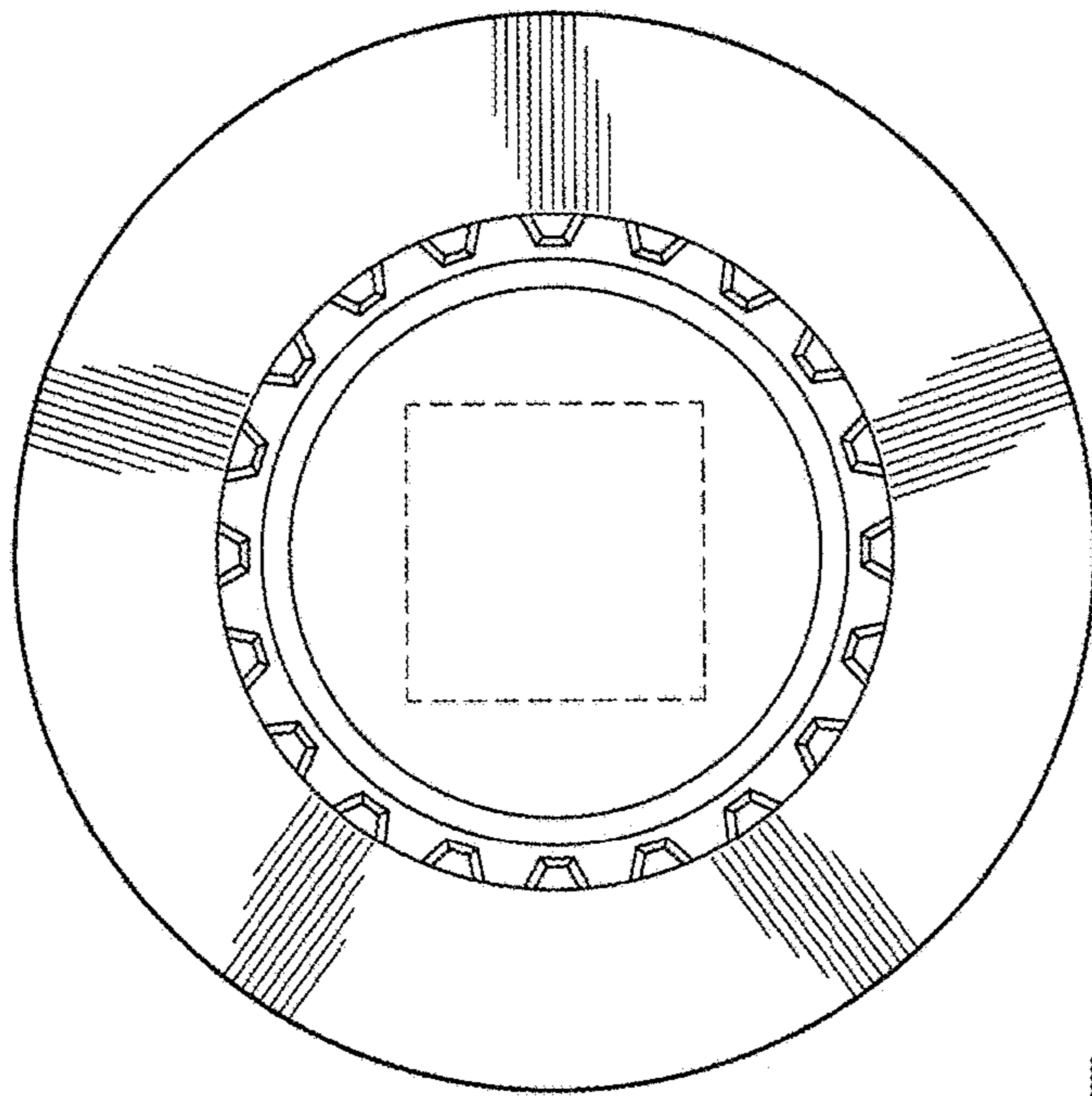


Fig. 8

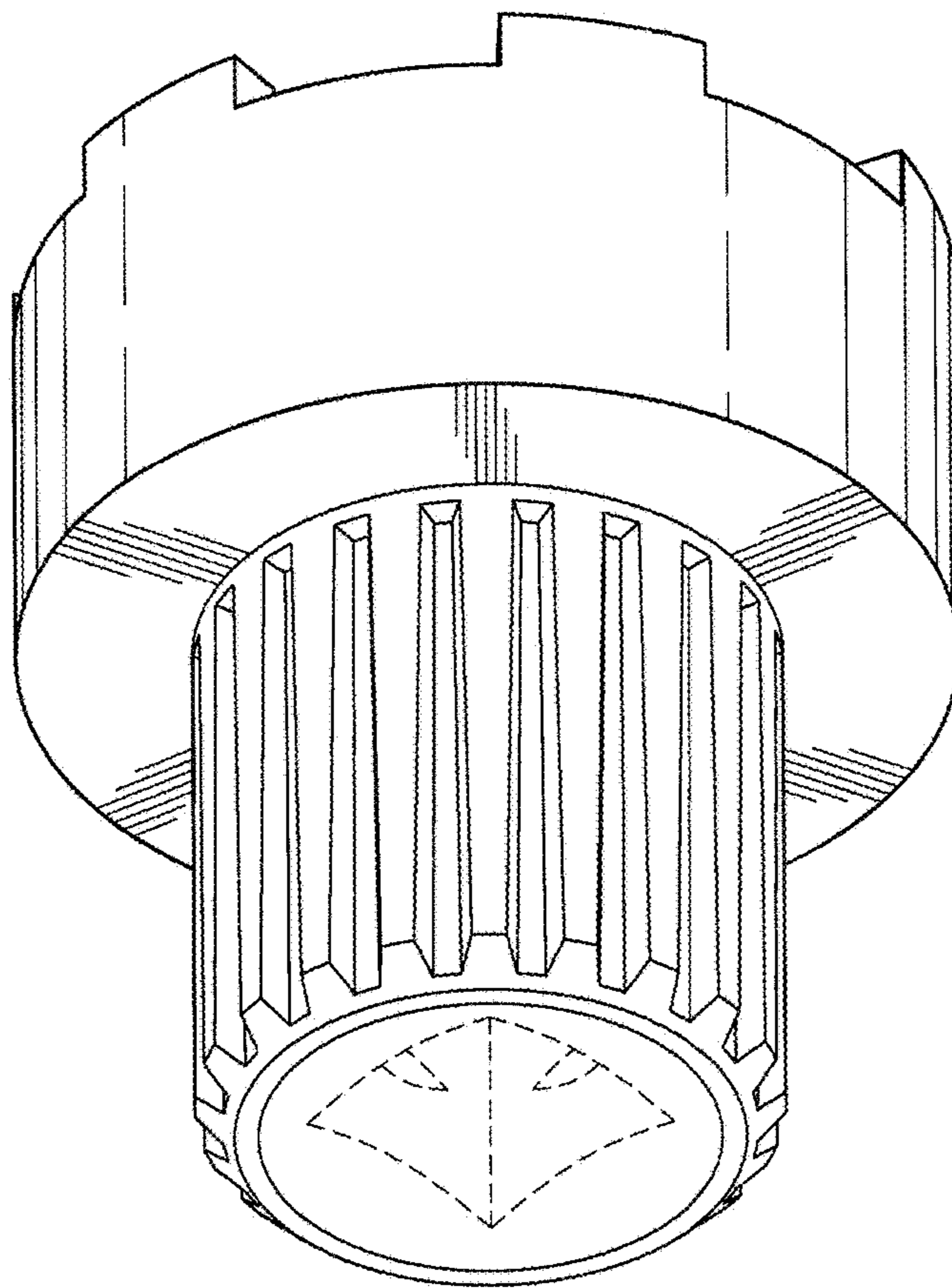


Fig. 9

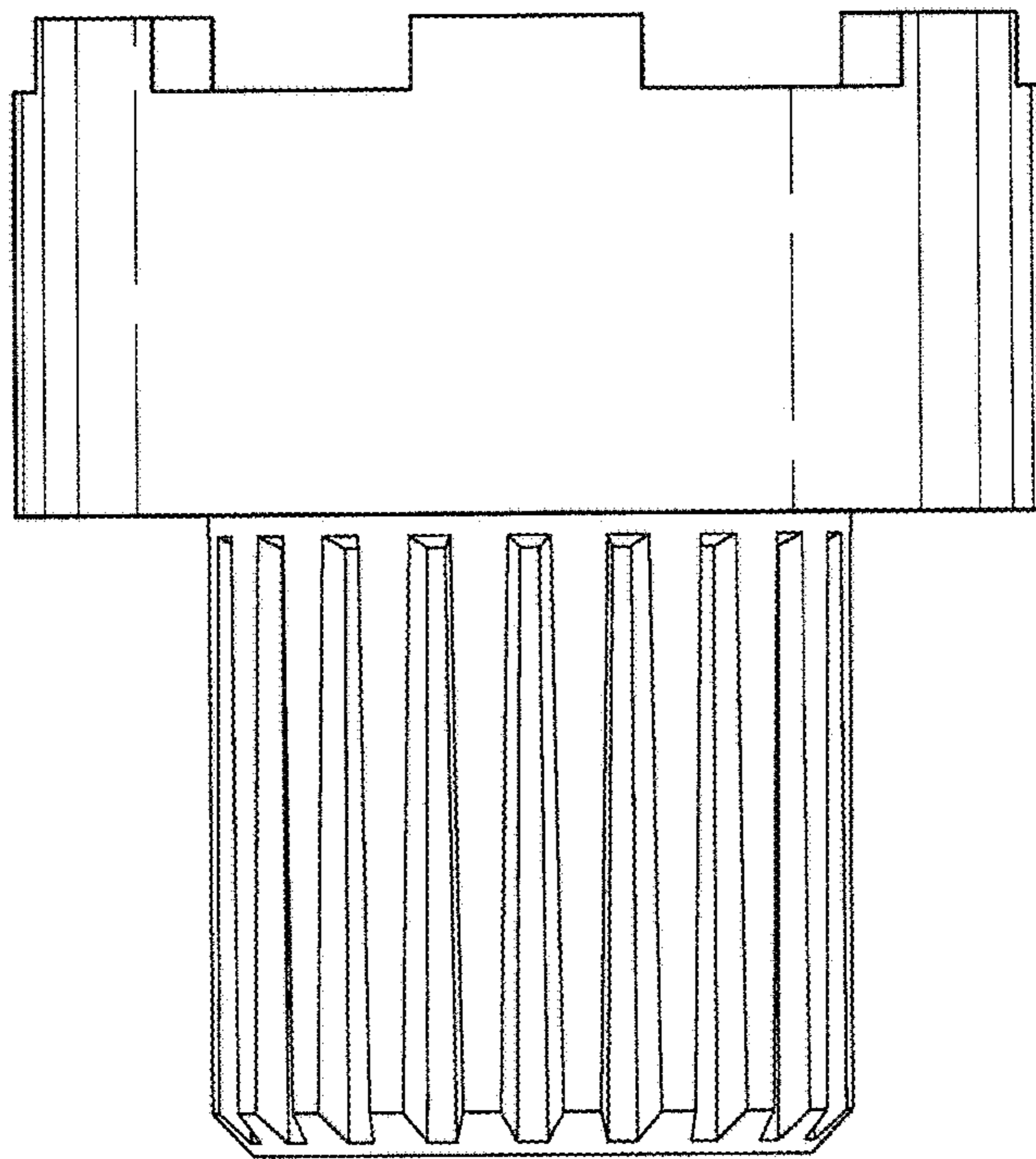


Fig. 10