

US00D779295S

(12) **United States Design Patent** (10) **Patent No.:** **US D779,295 S**  
**Weernink** (45) **Date of Patent:** **\*\* Feb. 21, 2017**

(54) **TRANSPARENT BOX WITH COMPARTMENTS**  
(71) Applicant: **Rosti Mepal Support B.V.**, Lochem (NL)  
(72) Inventor: **Johan Weernink**, Diepenheim (NL)  
(73) Assignee: **Rosti Mepal Support B.V.**, Lochem (NL)

(\*\*) Term: **14 Years**

(21) Appl. No.: **29/516,281**

(22) Filed: **Jan. 30, 2015**

(30) **Foreign Application Priority Data**

Sep. 5, 2014 (WO) ..... 837530301

(51) **LOC (10) Cl.** ..... **07-07**

(52) **U.S. Cl.**  
USPC ..... **D7/703; D3/302; D7/708**

(58) **Field of Classification Search**  
USPC .. D3/265, 266, 294, 903, 273, 282, D3/283, 284, 293, 295, 302, 901, 905; D7/701, D7/703, 590, 615, 629, 600.1, 708; D9/430, 418, 414

CPC ..... A47J 47/00; A47J 47/16  
See application file for complete search history.

(56) **References Cited**

**U.S. PATENT DOCUMENTS**

D375,228 S \* 11/1996 Rhodes ..... D7/590  
D395,970 S \* 7/1998 Curry ..... D6/517  
D418,252 S \* 12/1999 Horvath ..... D3/294  
D430,728 S \* 9/2000 Horvath ..... D3/294  
D443,762 S \* 6/2001 Park ..... D3/283  
D448,154 S \* 9/2001 Mann ..... D3/203.1  
D469,607 S \* 2/2003 Wolff ..... D3/294  
D473,054 S \* 4/2003 Roehrig ..... D3/294

D490,977 S \* 6/2004 Freeman ..... D3/273  
D520,746 S \* 5/2006 Meyer ..... D3/284  
D523,288 S \* 6/2006 Pierce ..... D7/590  
D535,102 S \* 1/2007 Matsuda ..... D3/302  
D575,956 S \* 9/2008 Reardon ..... D3/295  
D580,717 S \* 11/2008 Witt ..... D3/284  
D588,907 S \* 3/2009 Cesario, Jr. .... D9/418  
D592,398 S \* 5/2009 Roesler ..... D3/294  
D593,325 S \* 6/2009 Evans ..... D3/273  
D612,152 S \* 3/2010 Roesler ..... D3/294

(Continued)

**OTHER PUBLICATIONS**

Google.com image search, "Clear tea bag box", Accessed Mar. 9, 2016.\*

(Continued)

*Primary Examiner* — Jennifer Rivard

*Assistant Examiner* — April Rivas

(74) *Attorney, Agent, or Firm* — Charles T. J. Weigell, Esq.; Fross Zelnick Lehrman & Zissu, P.C.

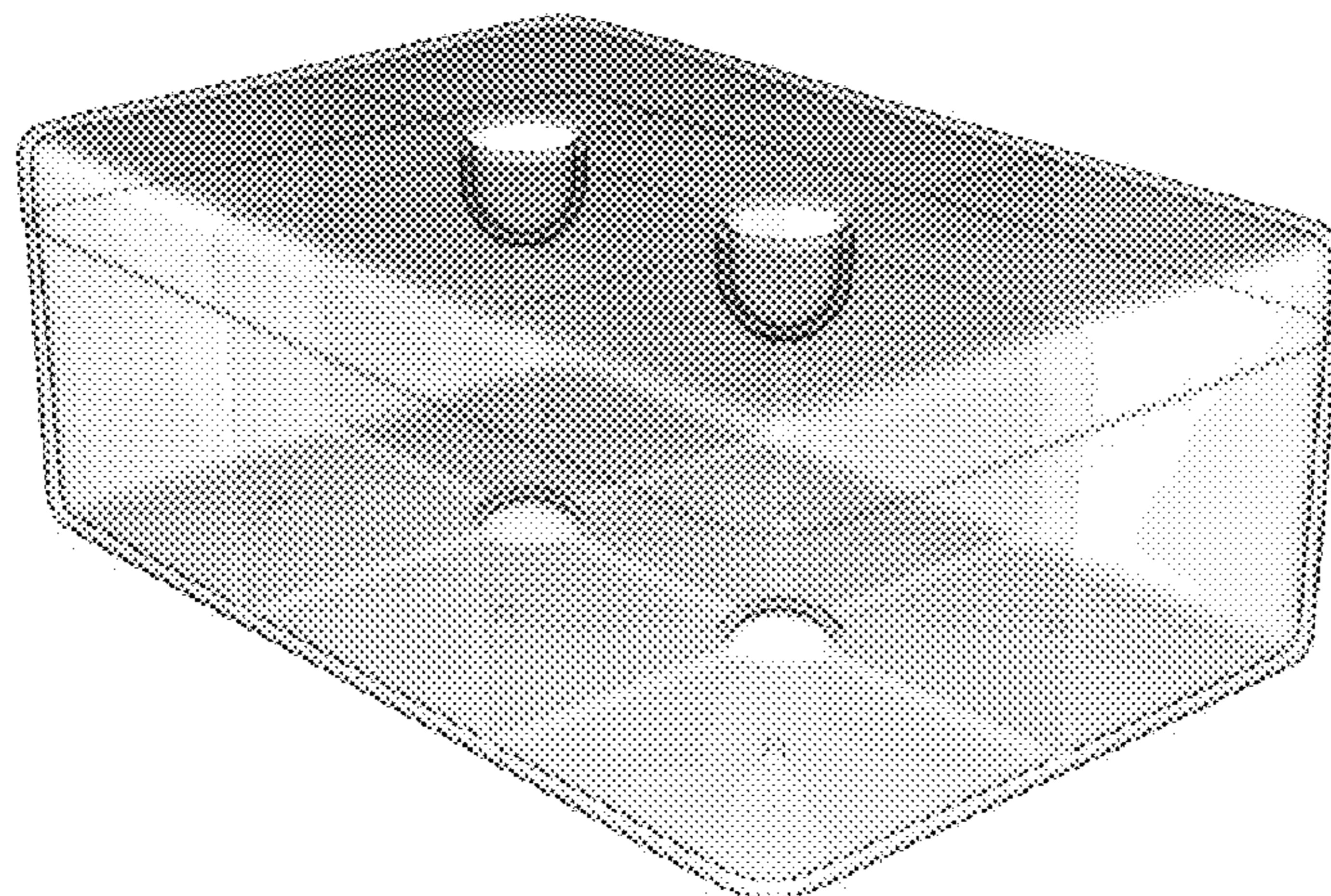
(57) **CLAIM**

The ornamental design for a transparent box with compartments, as shown and described.

**DESCRIPTION**

FIG. 1 is a top perspective view of a transparent box with compartments showing my new design; FIG. 2 is a top perspective view thereof, showing the cover under the transparent box with compartments; FIG. 3 is a front view of FIG. 1, with the back view being a mirror image thereof; FIG. 4 is a side view with the opposite side view being a mirror image thereof; FIG. 5 is a top view thereof; and, FIG. 6 is a bottom view thereof. The shadows and reflections shown in the drawings form no part of the claimed design.

**1 Claim, 6 Drawing Sheets**



(56)

**References Cited**

U.S. PATENT DOCUMENTS

D663,524 S \* 7/2012 Penttinen ..... D3/273  
D672,554 S \* 12/2012 Penttinen ..... D3/273  
D675,434 S \* 2/2013 Vernall ..... D3/294  
D694,102 S \* 11/2013 Bellamah ..... D9/424  
D735,476 S \* 8/2015 Duvigneau ..... D3/294

OTHER PUBLICATIONS

Google.com image search, "tea packet box", Accessed Mar. 15, 2016.\*

Rosti Mepal shop, "Tea Box Rectangular—Clear", Accessed Mar. 9, 2016. (<https://www.rostimepal.com/en/storage/tea-set-t-time/tea-box-rectangular-clear.html>).\*

\* cited by examiner

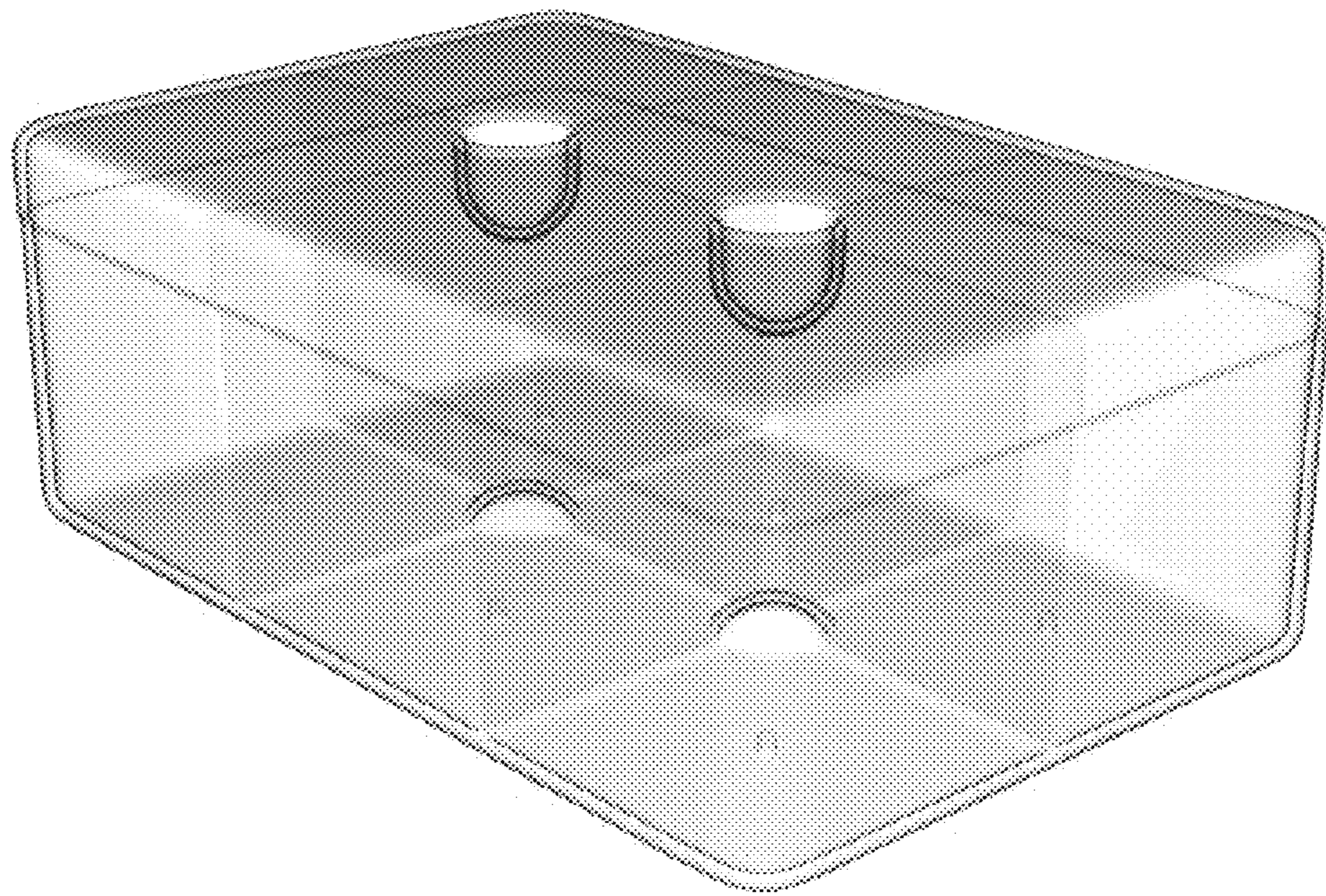


FIG. 1

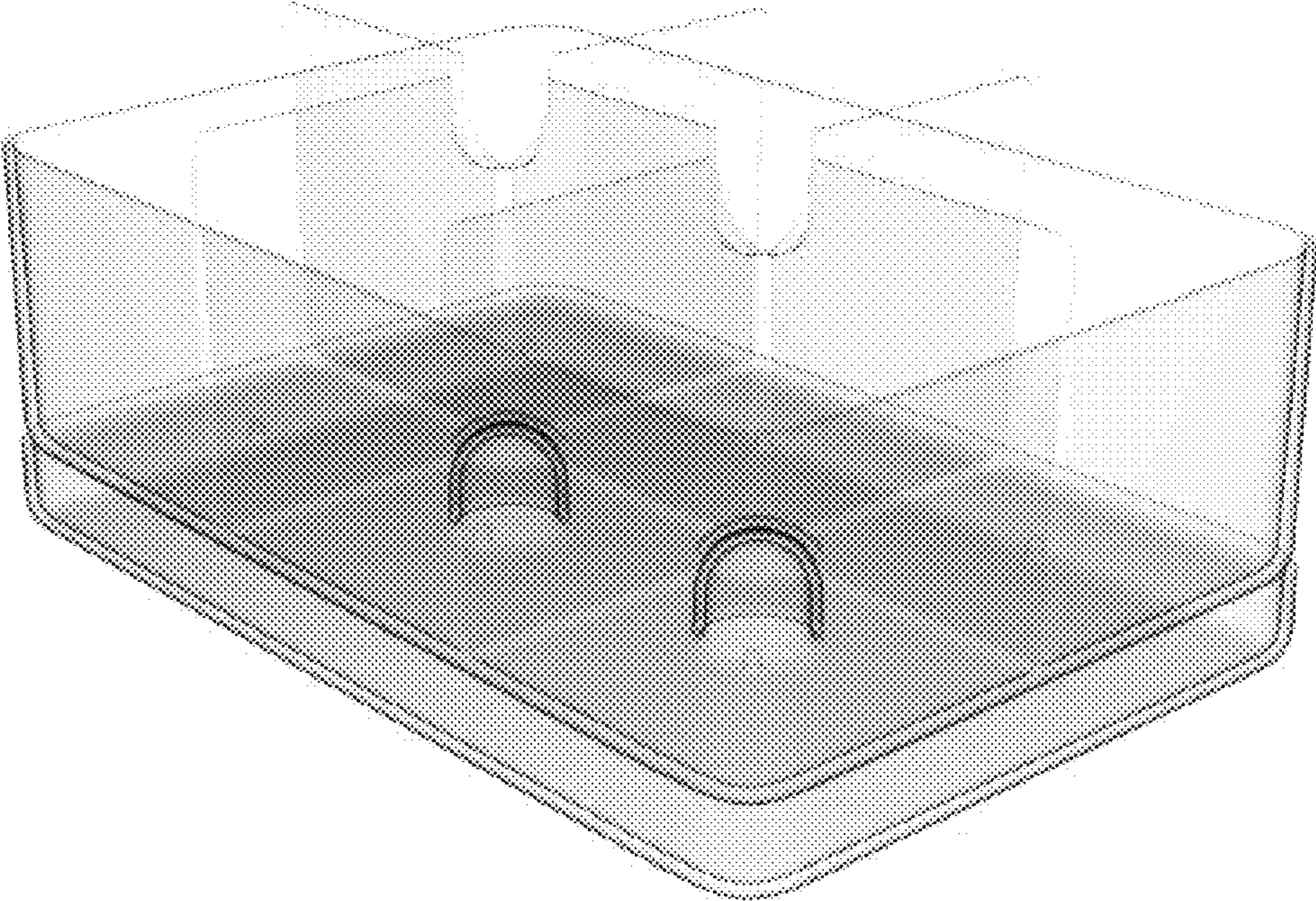


FIG. 2

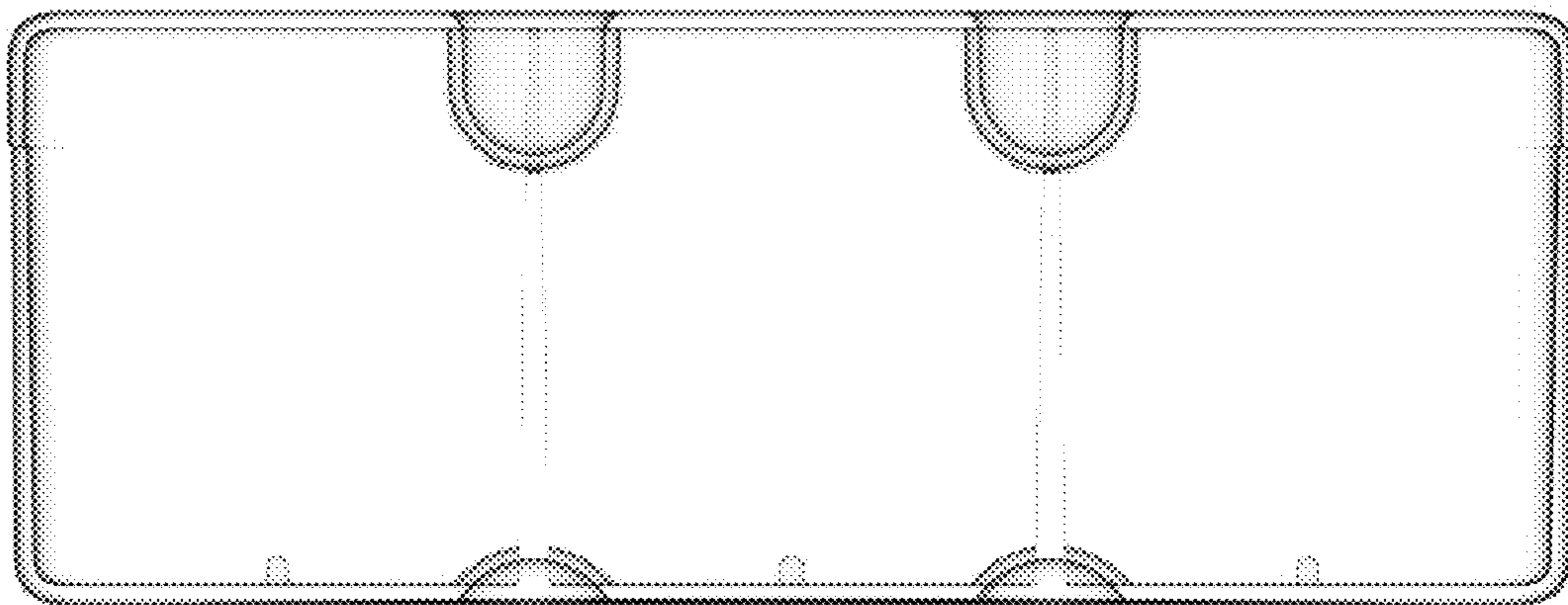


FIG. 3

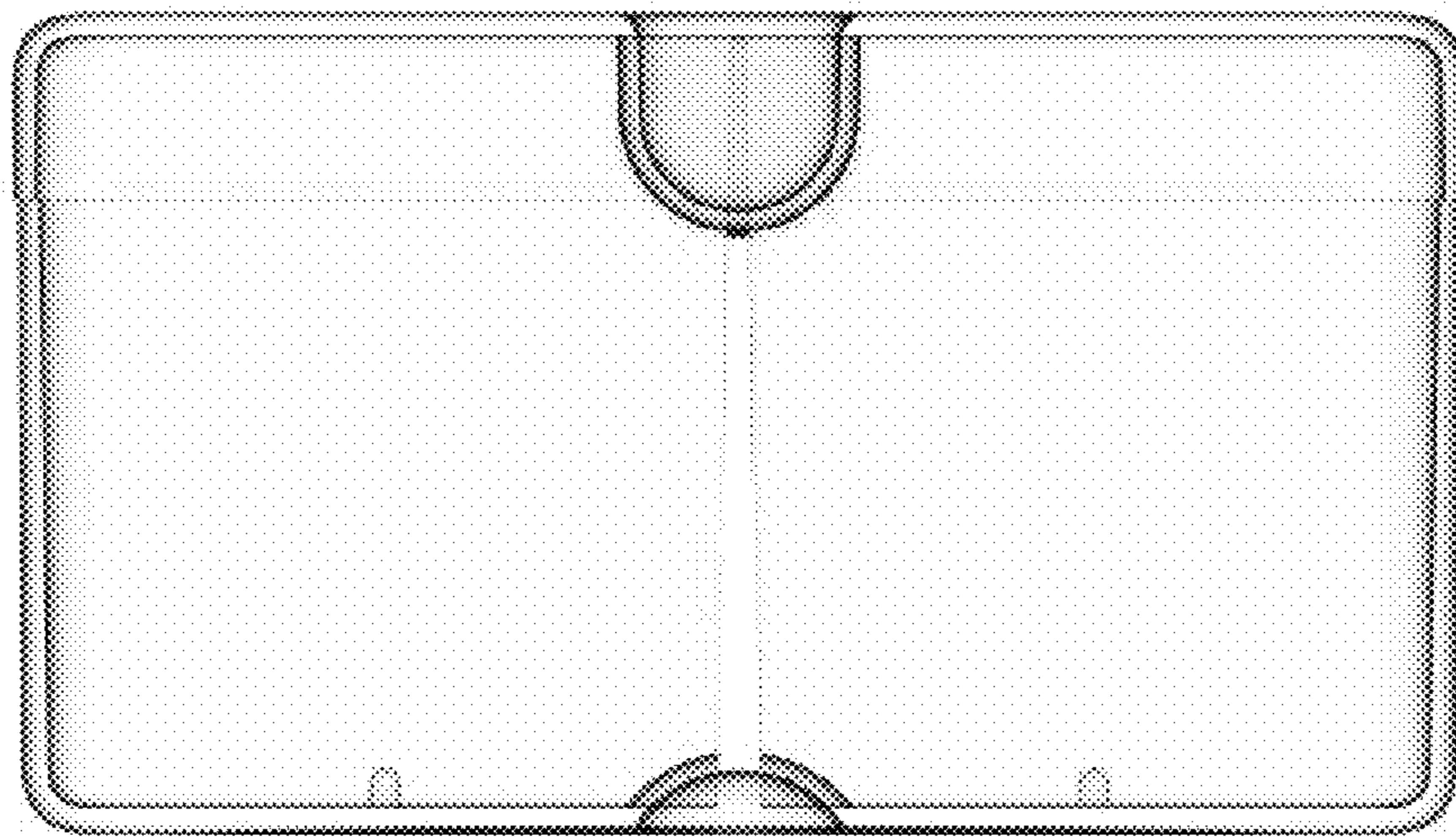


FIG. 4

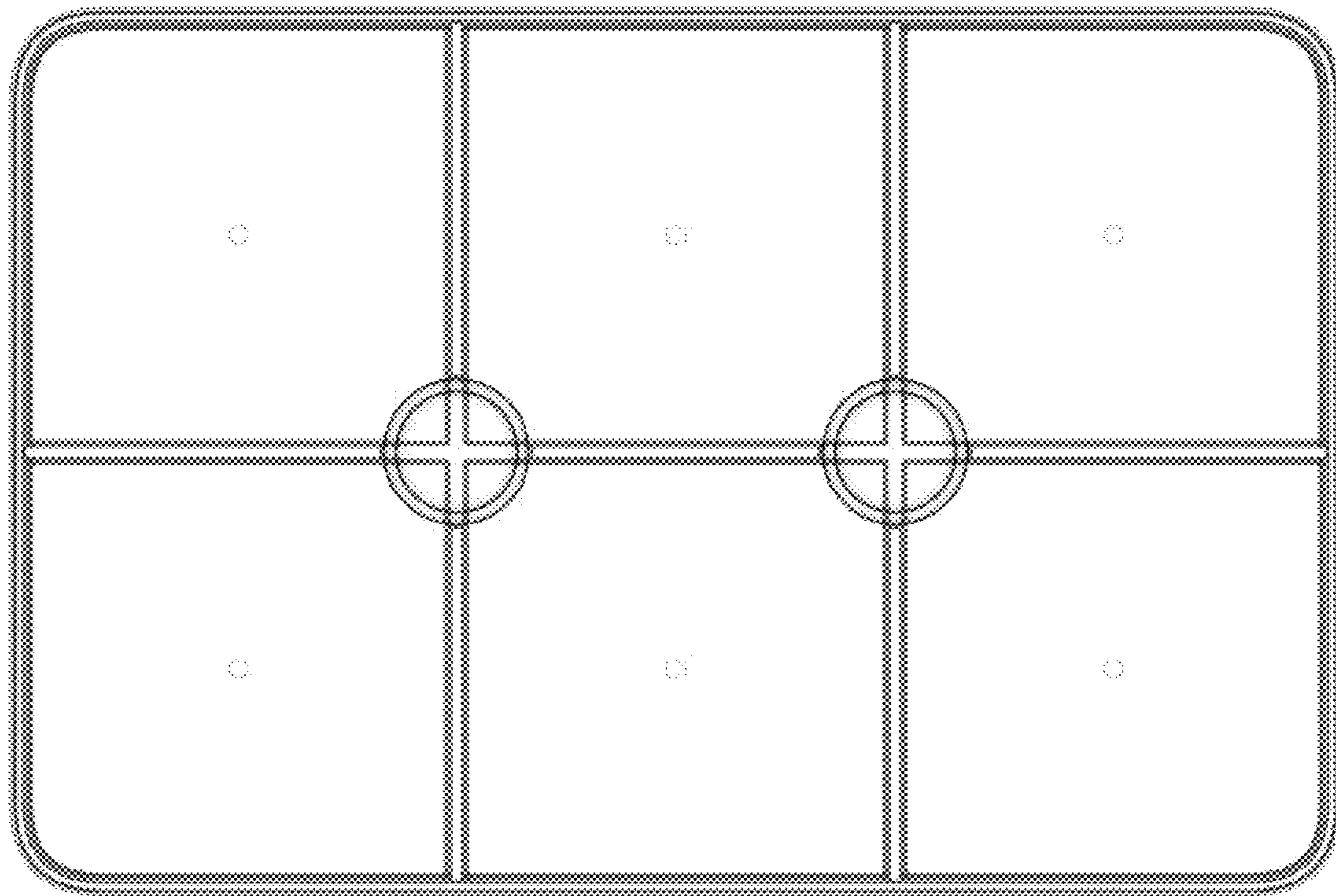


FIG. 5

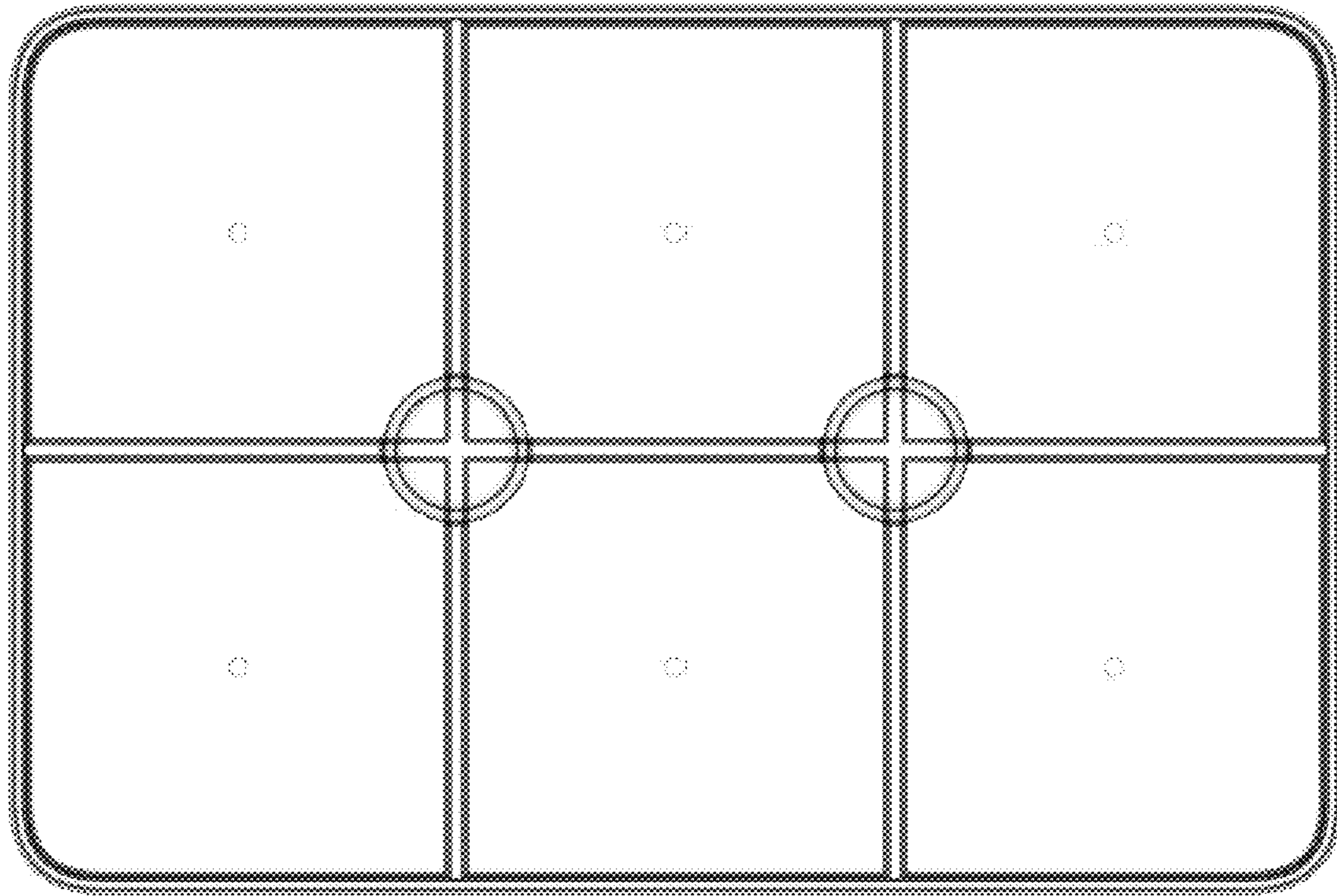


FIG. 6