



US00D779294S

(12) **United States Design Patent**  
**Friedman**

(10) **Patent No.:** **US D779,294 S**

(45) **Date of Patent:** **\*\* Feb. 21, 2017**

(54) **KITCHEN TOOL**

(71) Applicant: **Naomi Friedman**, Lakewood, NJ (US)

(72) Inventor: **Naomi Friedman**, Lakewood, NJ (US)

(\*\*) Term: **15 Years**

(21) Appl. No.: **29/539,028**

(22) Filed: **Sep. 10, 2015**

(51) **LOC (10) Cl.** ..... **07-04**

(52) **U.S. Cl.**  
USPC ..... **D7/693**

(58) **Field of Classification Search**  
USPC ..... D7/368, 669, 693, 381-384  
CPC ..... A47J 17/00; A47J 17/02; A47J 17/16;  
A23N 7/02; A23N 7/026  
See application file for complete search history.

(56) **References Cited**

**U.S. PATENT DOCUMENTS**

5,557,998	A *	9/1996	Schwartz	.....	A21C 15/04 269/13
5,690,022	A *	11/1997	Chai	.....	A47J 17/16 99/541
D465,137	S *	11/2002	Wong	.....	D7/693
6,854,383	B2 *	2/2005	Wang	.....	A47J 17/16 99/542
7,077,058	B2 *	7/2006	Muro	.....	A47J 17/16 99/541
D689,348	S *	9/2013	Wong	.....	D7/693

\* cited by examiner

*Primary Examiner* — Terry Wallace

(74) *Attorney, Agent, or Firm* — Richard Malagiere, Esq.

(57) **CLAIM**

I claim the ornamental design for a kitchen tool, as shown and described.

**DESCRIPTION**

FIG. 1 is a front perspective view of the kitchen tool showing my new design in an open configuration.

FIG. 2 is a front perspective view thereof in a closed configuration.

FIG. 3 is rear perspective view of FIG. 1.

FIG. 4 is a rear perspective view of FIG. 2.

FIG. 5 is a left side view of FIG. 1.

FIG. 6 is a left side view of FIG. 2.

FIG. 7 is a right side view of FIG. 1.

FIG. 8 is a right side view of FIG. 2.

FIG. 9 is a bottom plan view of FIG. 1.

FIG. 10 is a bottom plan view of FIG. 2.

FIG. 11 is a top plan view of FIG. 1.

FIG. 12 is a top plan view of FIG. 2.

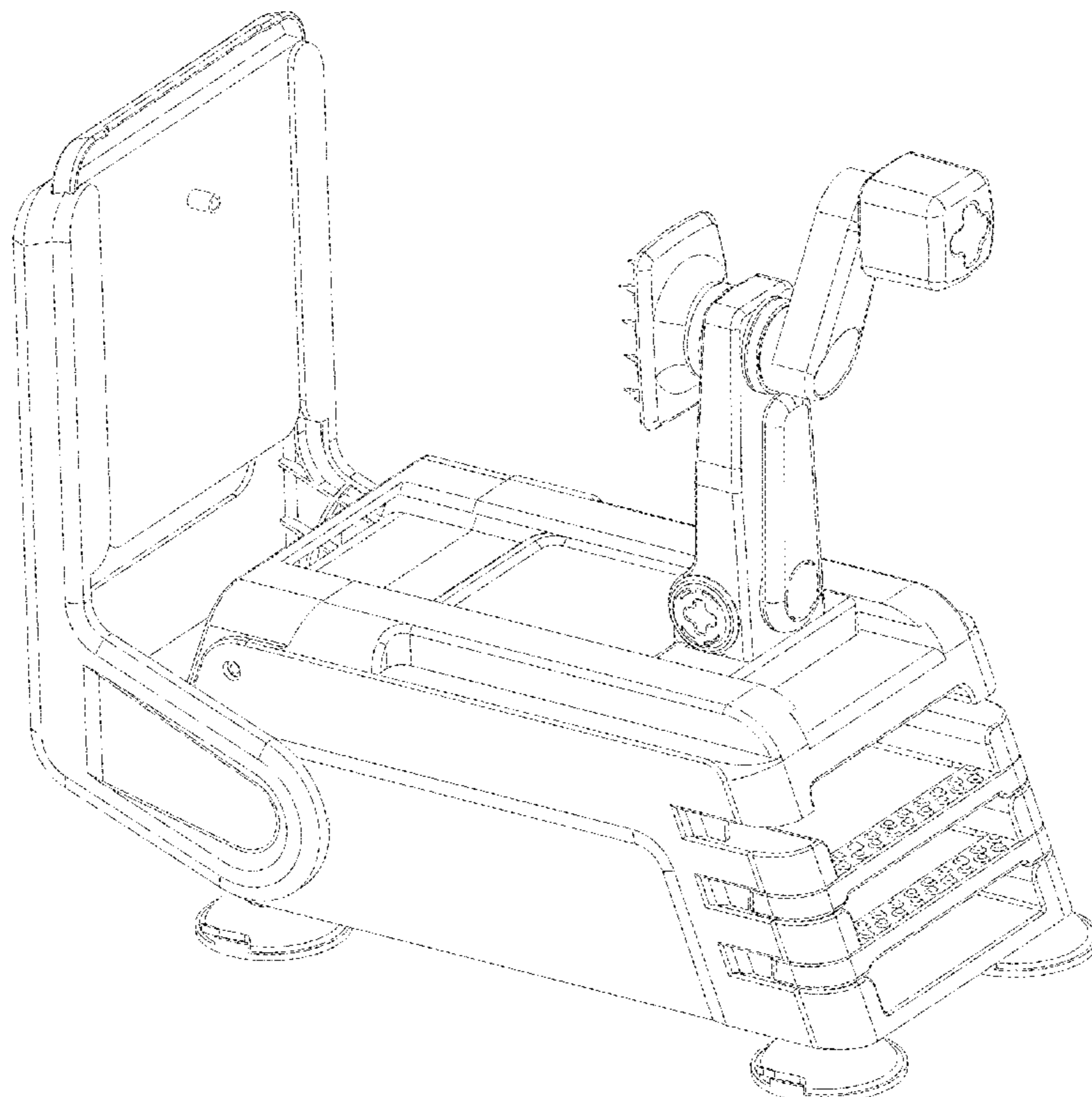
FIG. 13 is a front view of FIG. 1.

FIG. 14 is a front view of FIG. 2.

FIG. 15 is a rear view of FIG. 1; and,

FIG. 16 is a rear view of FIG. 2.

**1 Claim, 16 Drawing Sheets**



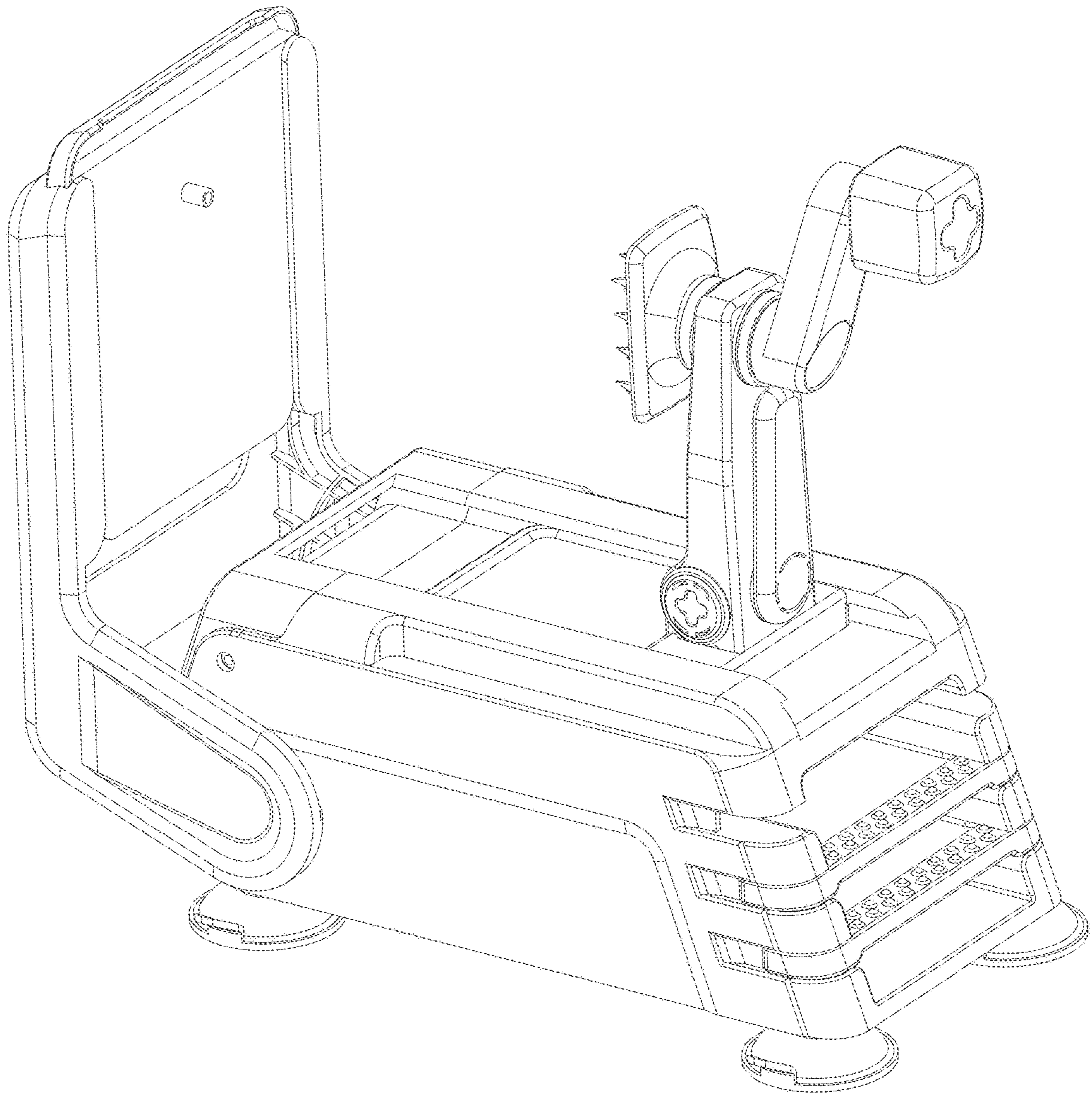


Figure 1

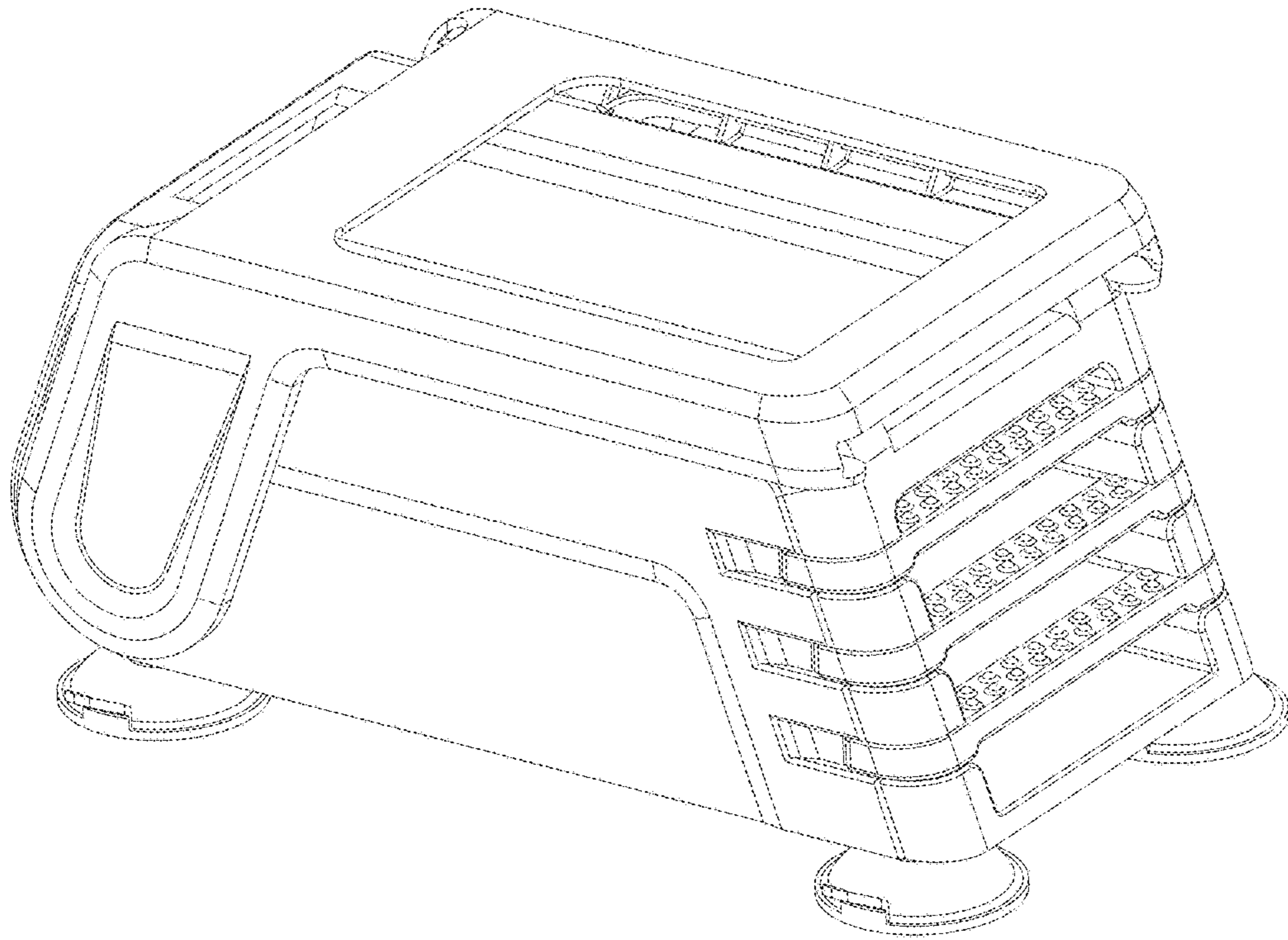


Figure 2



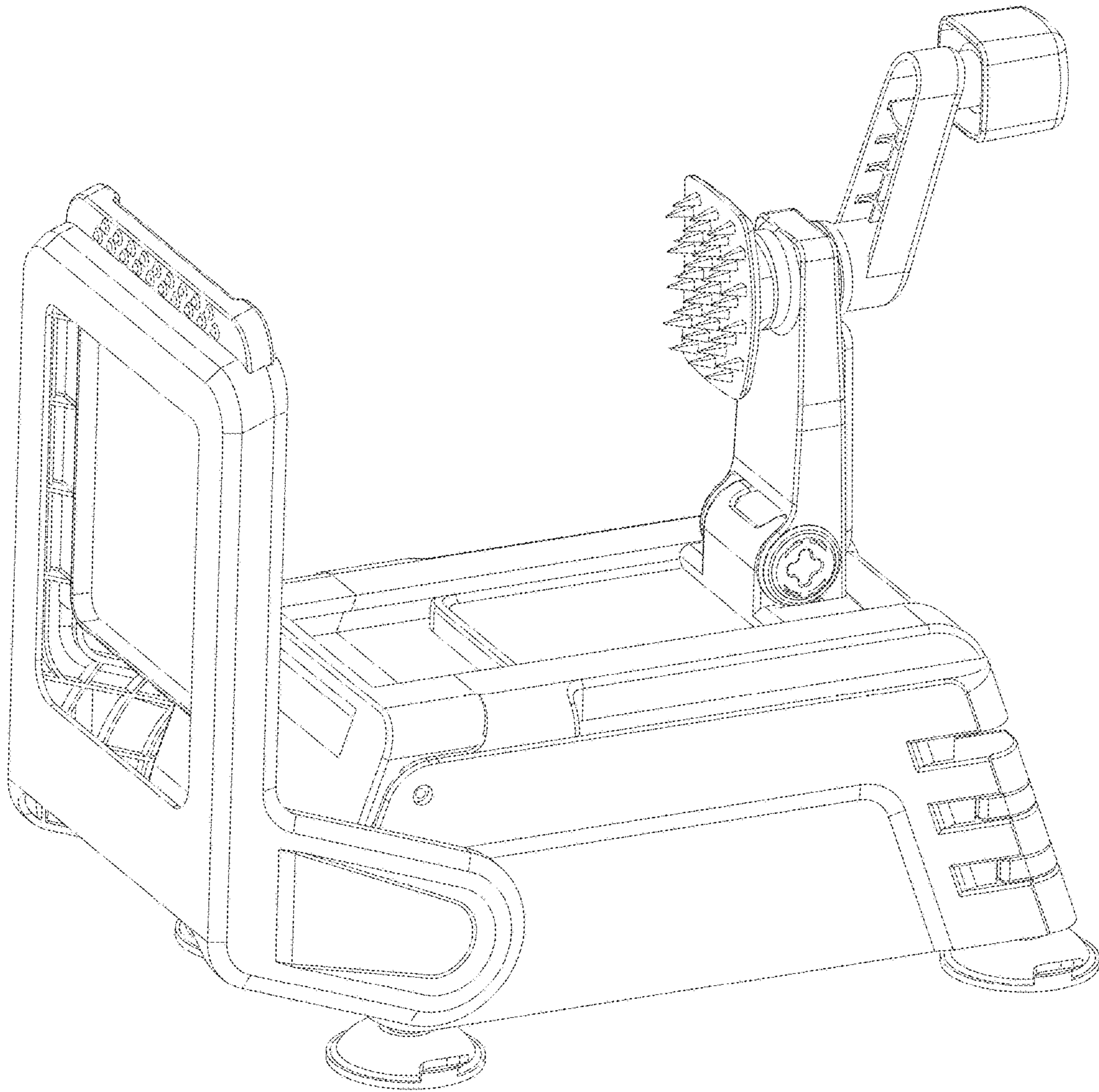


Figure 3

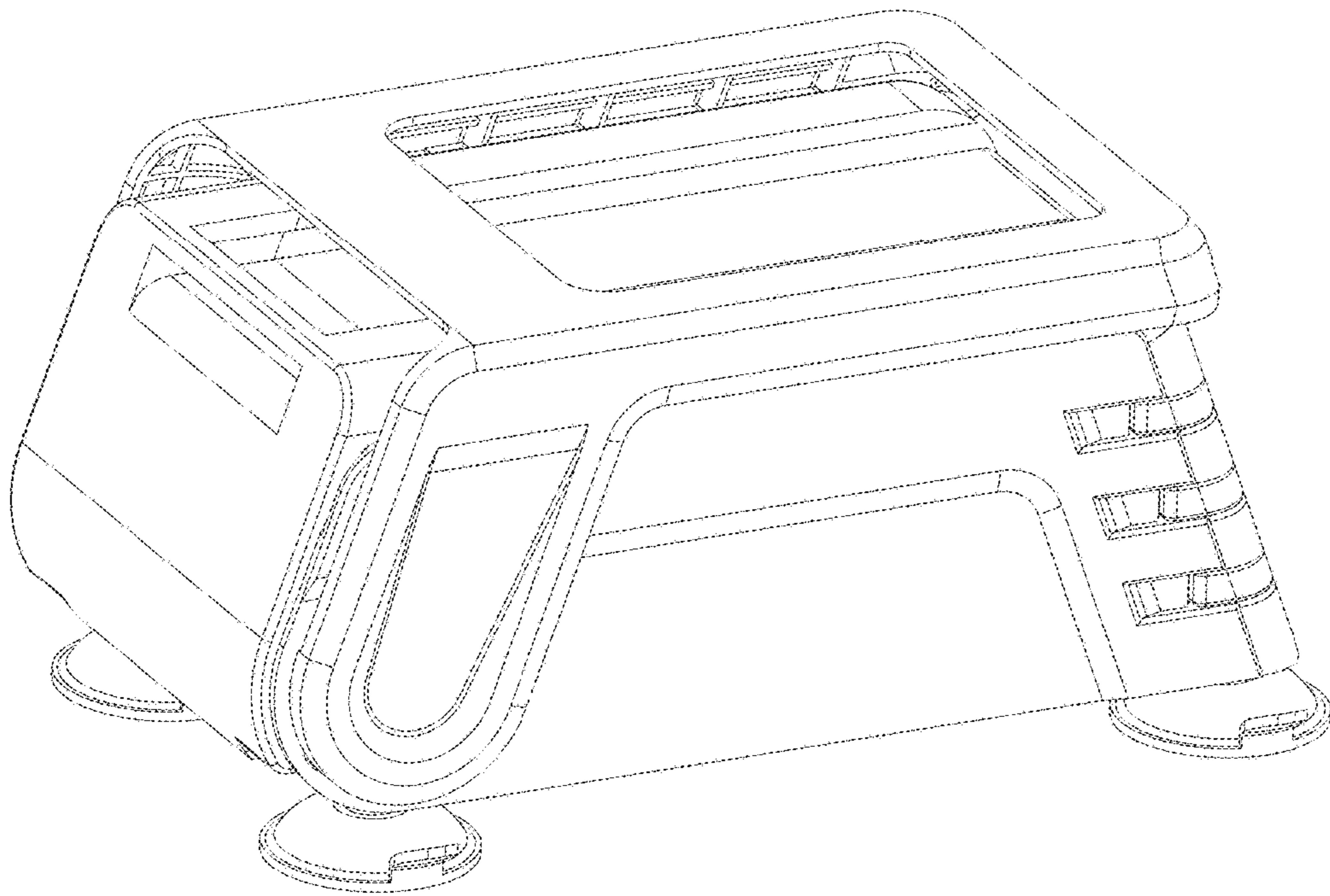


Figure 4

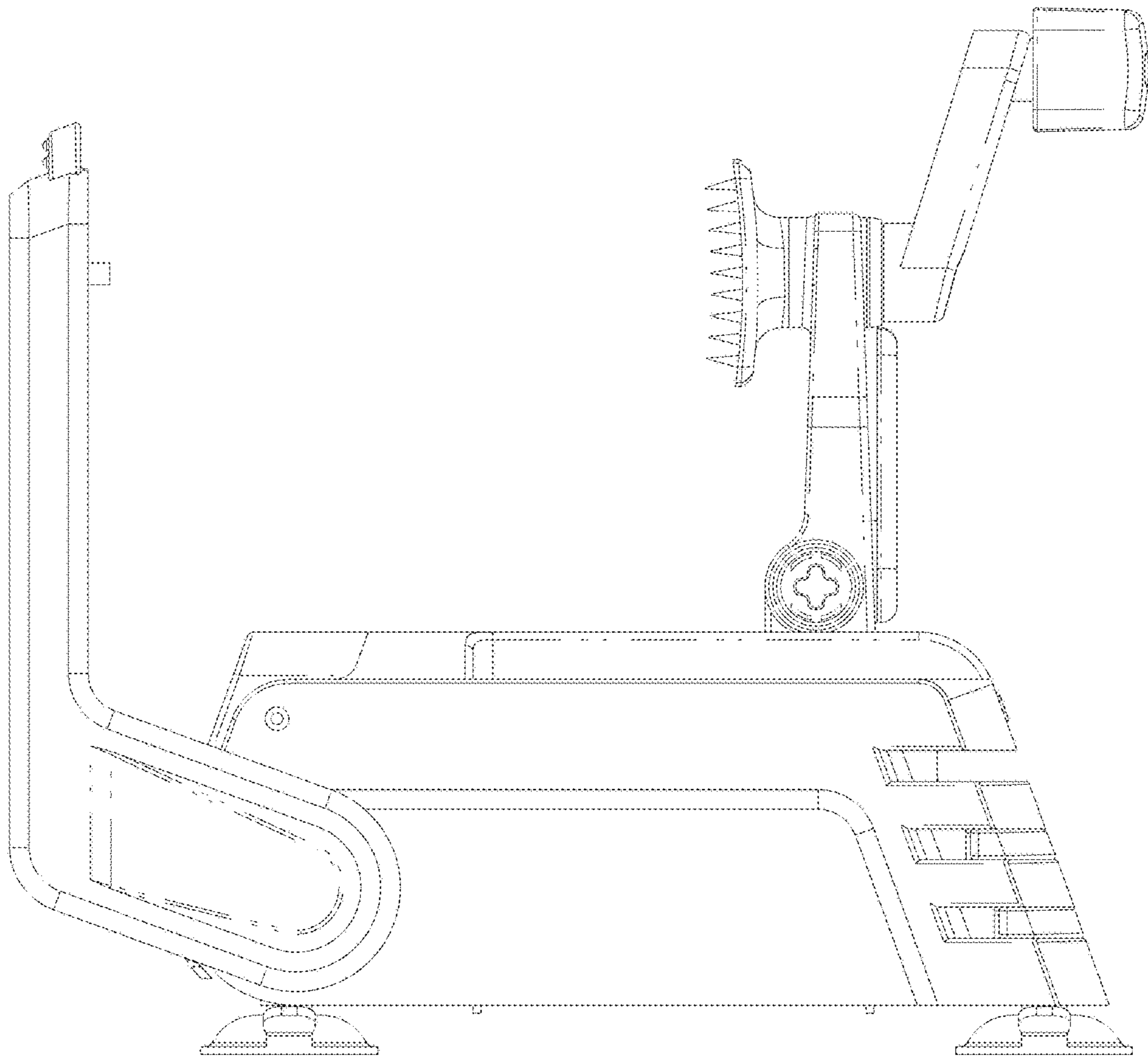


Figure 5

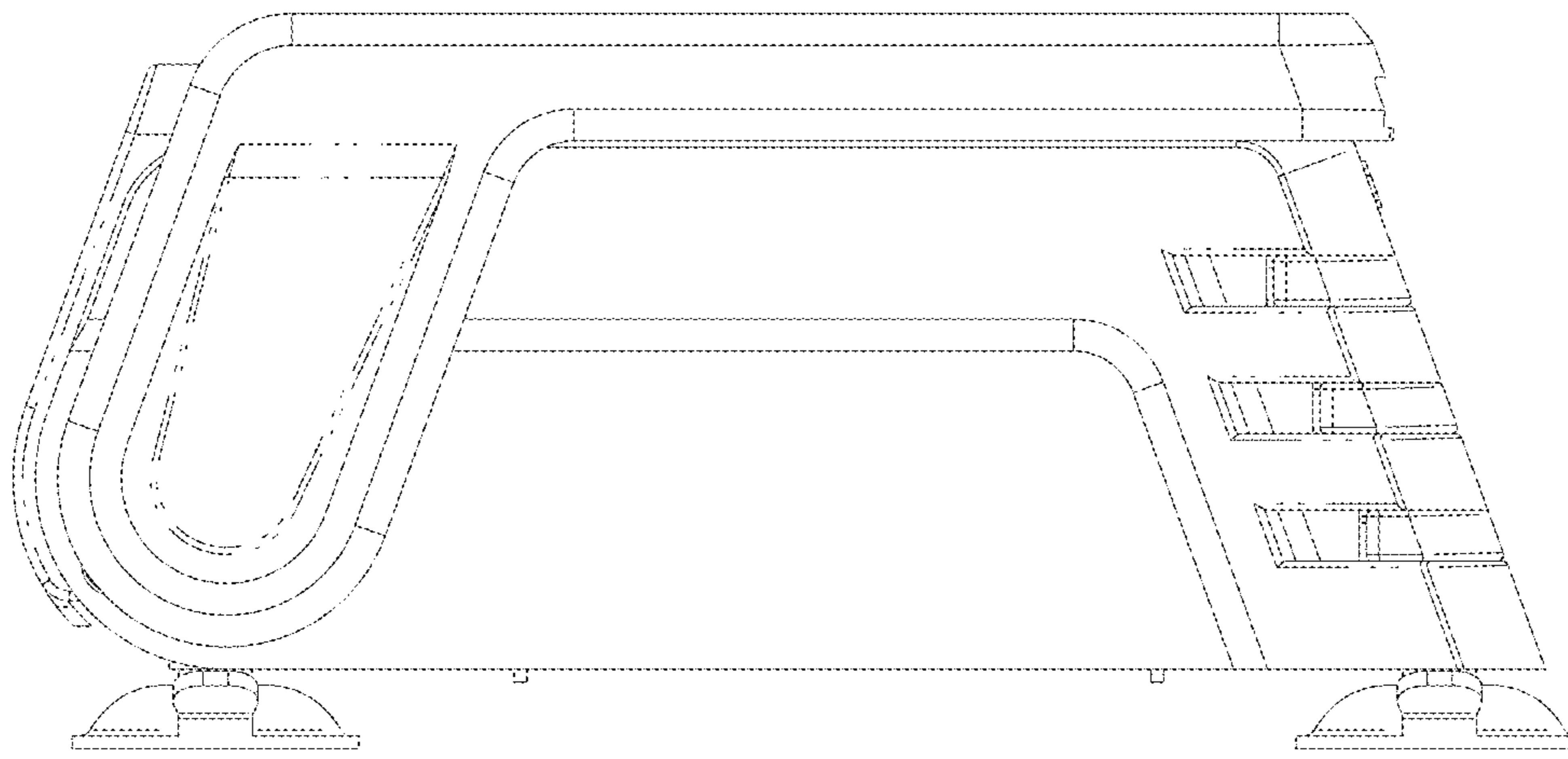


Figure 6

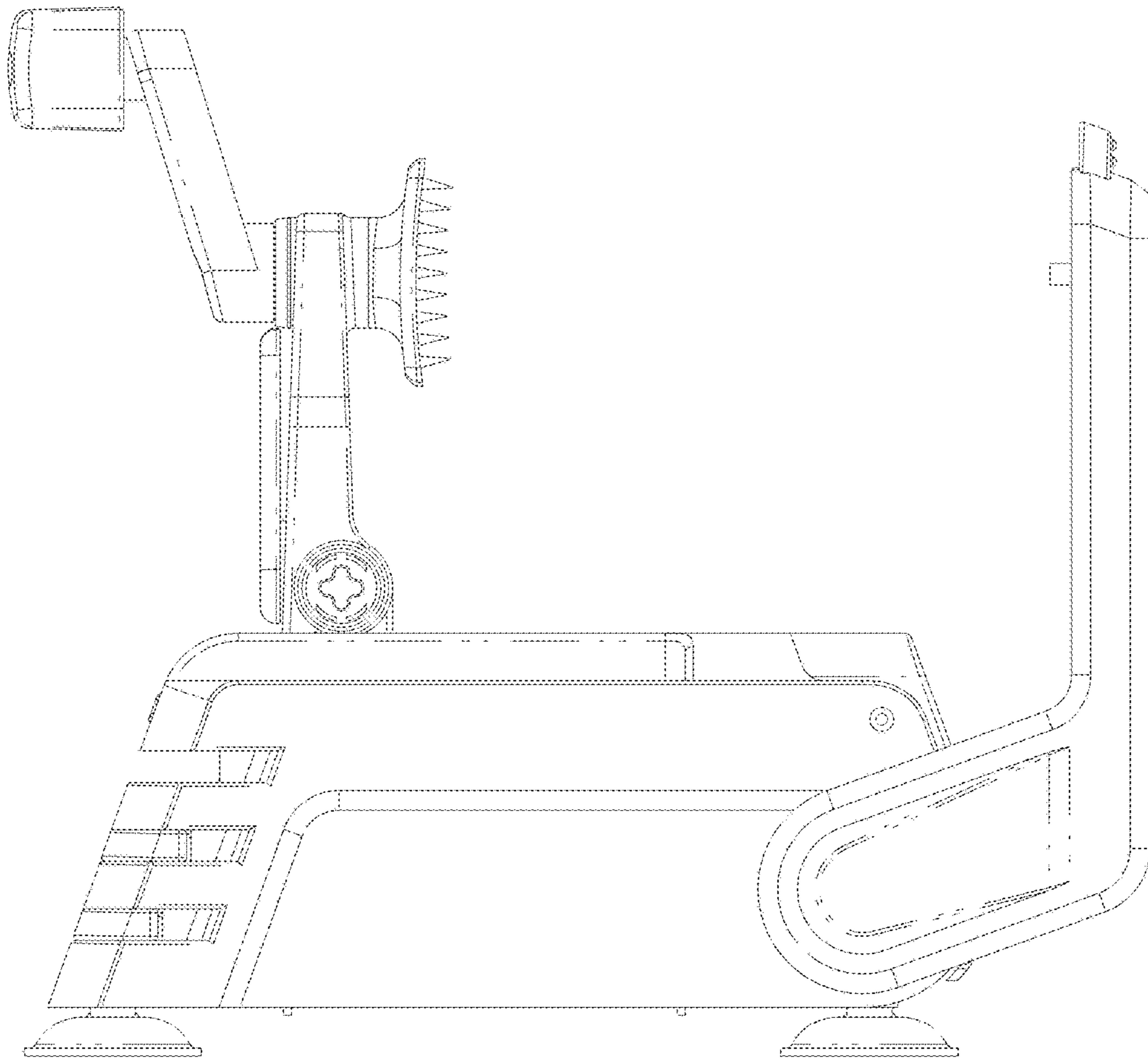


Figure 7



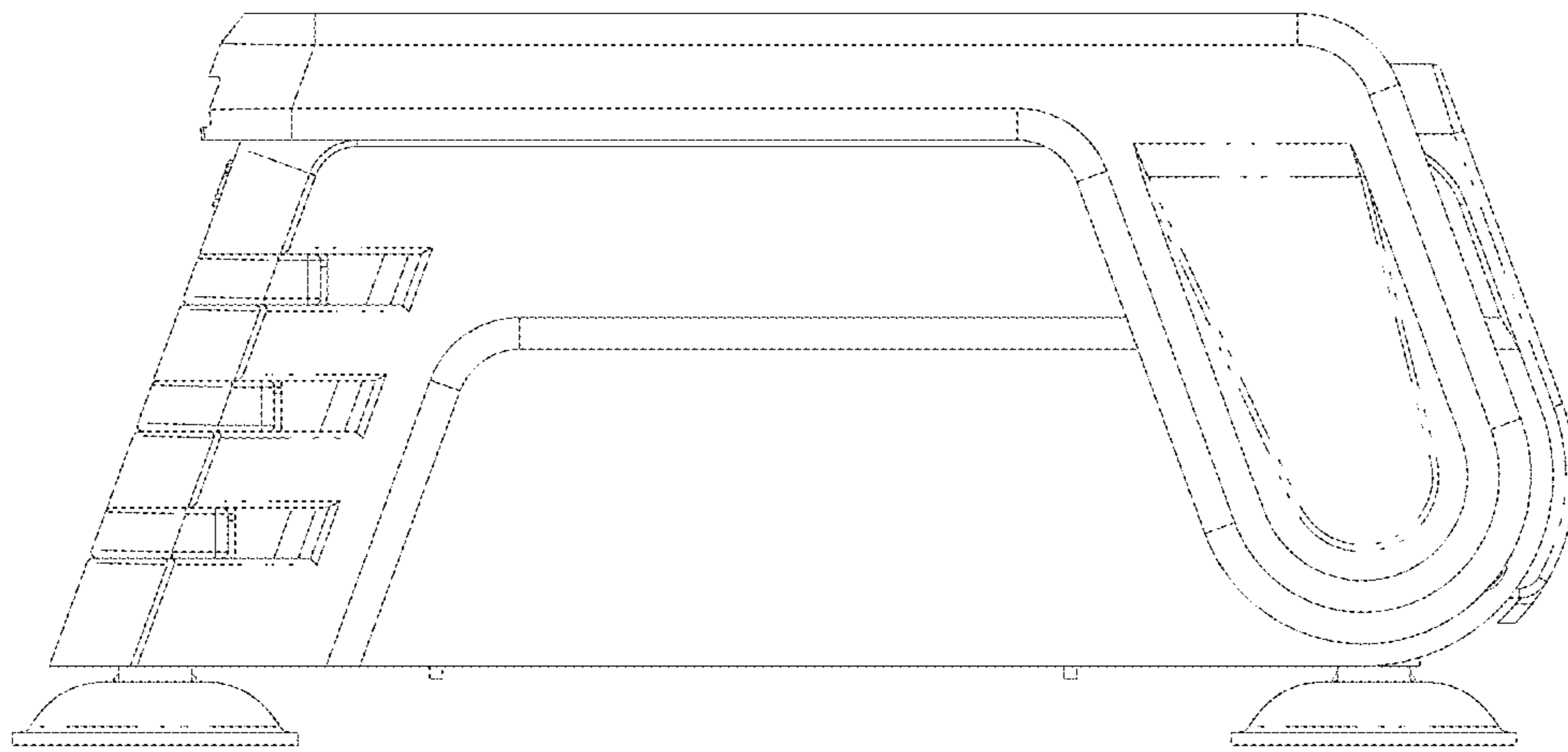


Figure 8

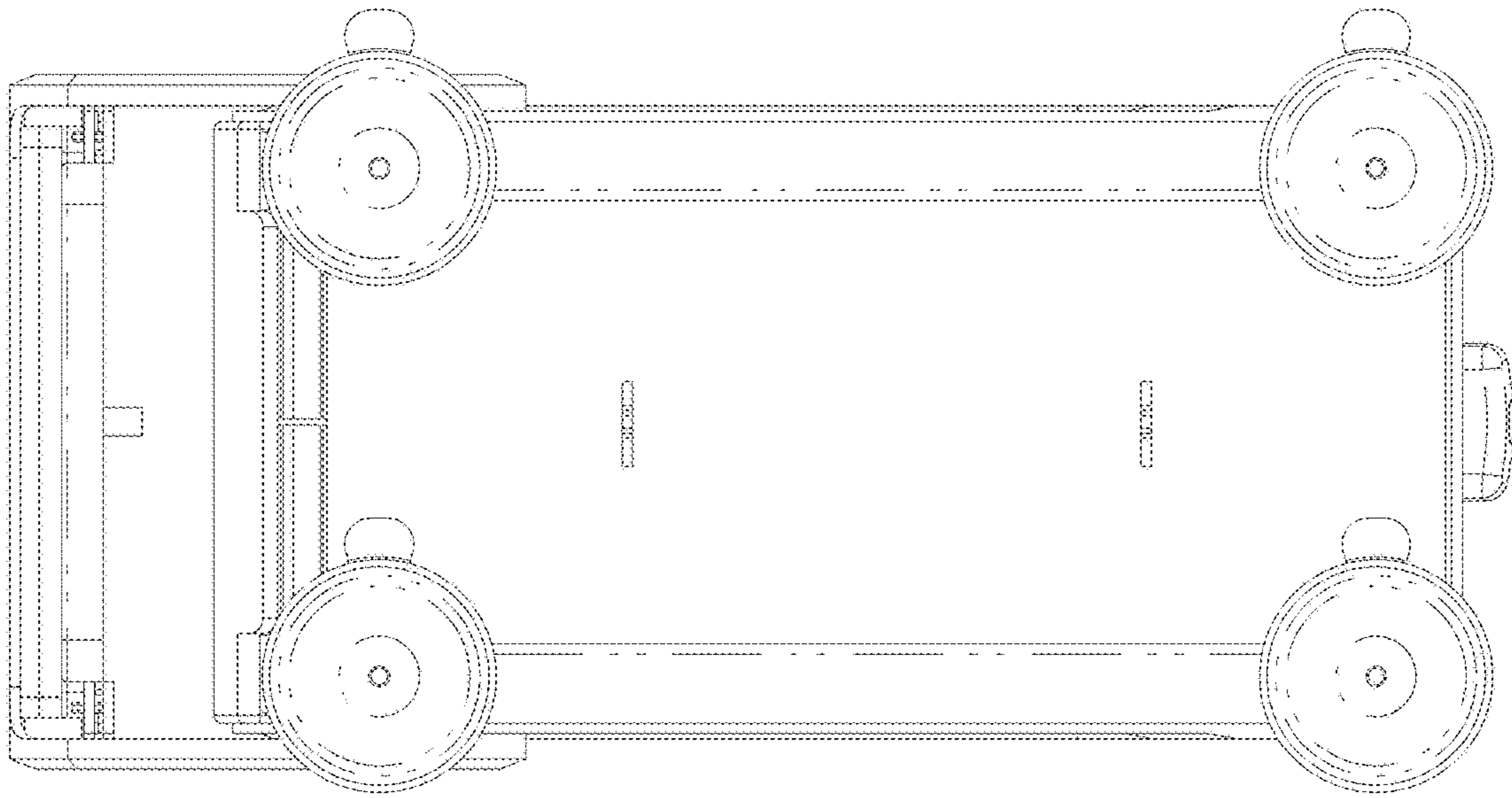


Figure 9

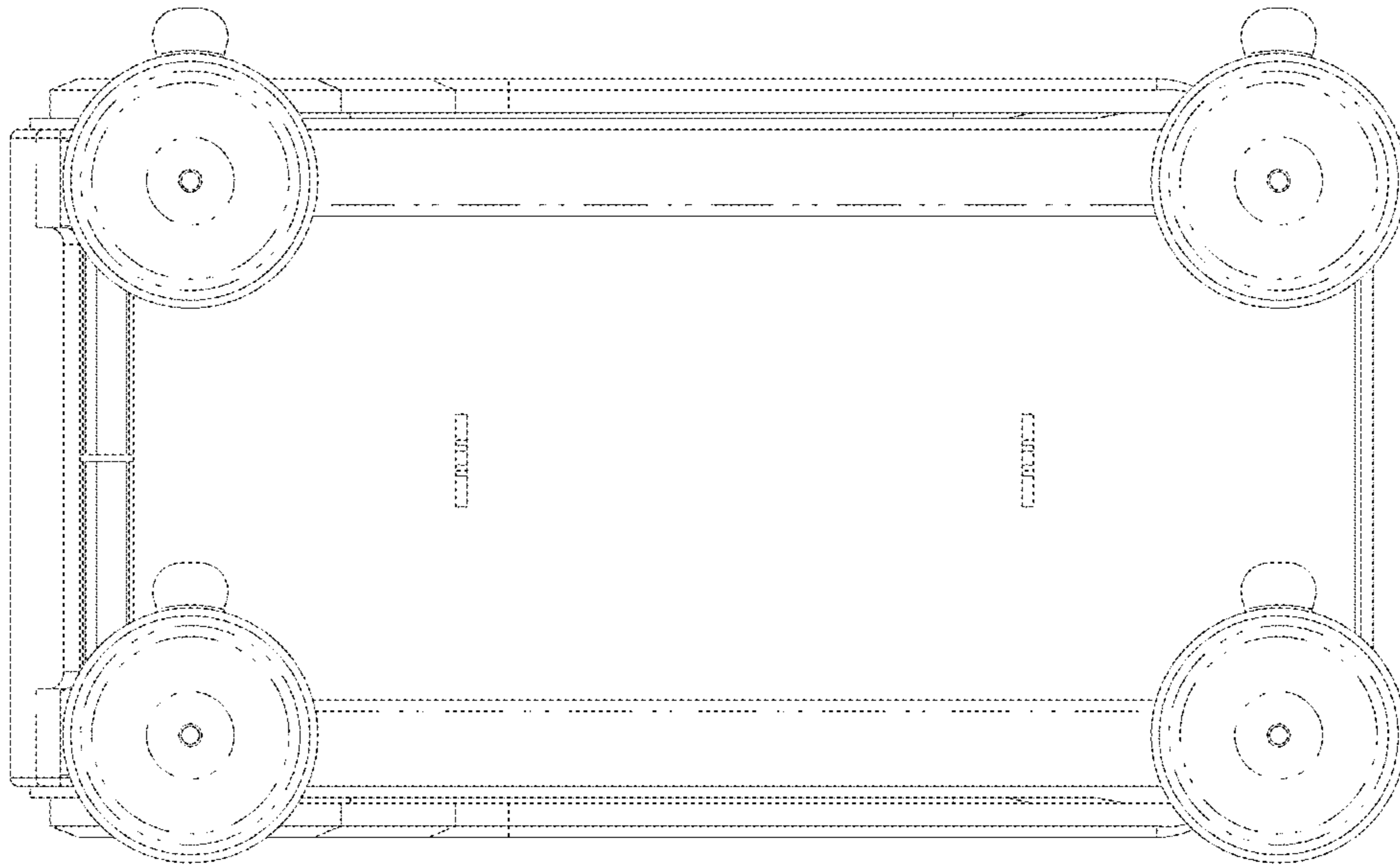


Figure 10

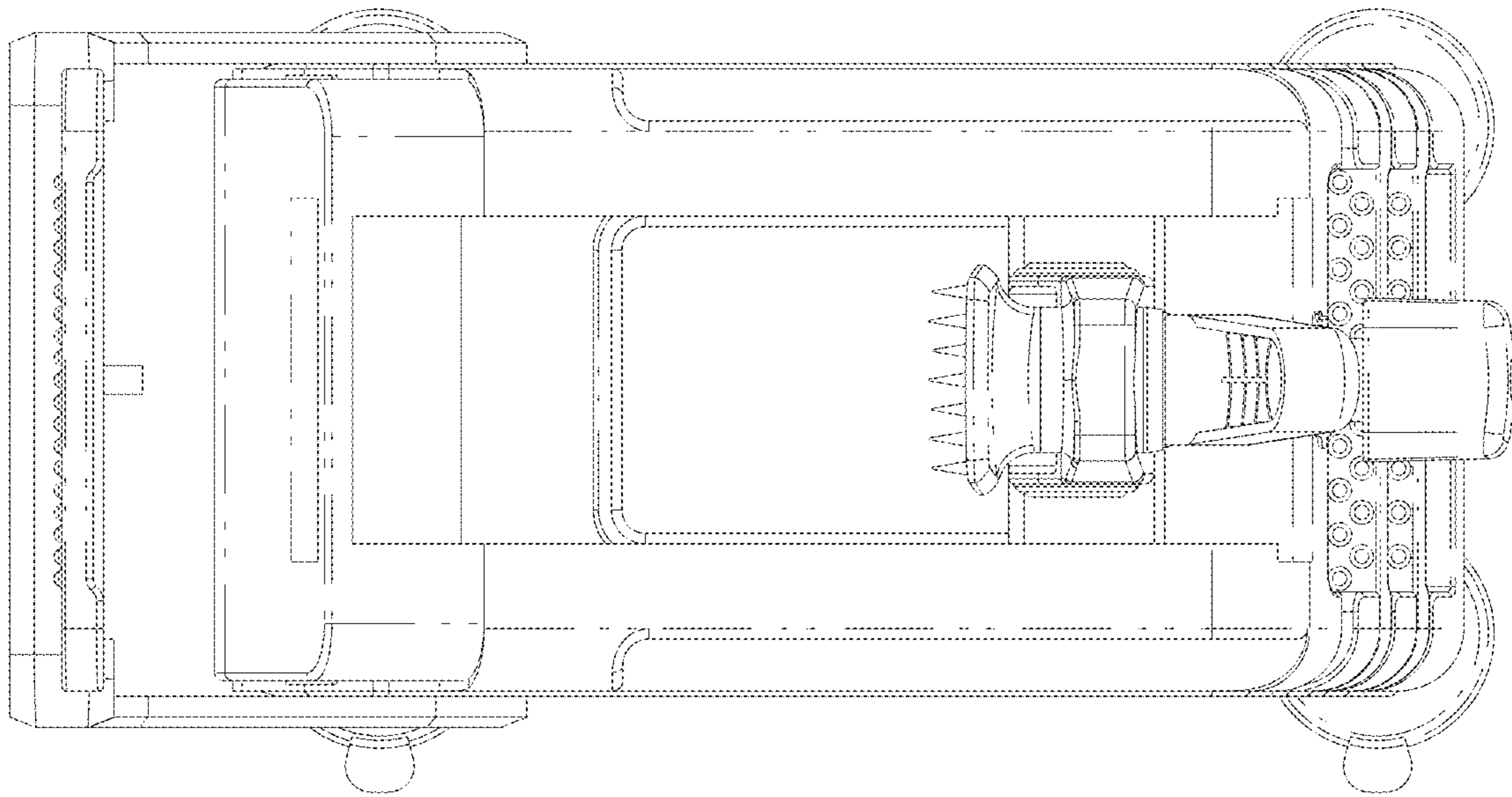


Figure 11



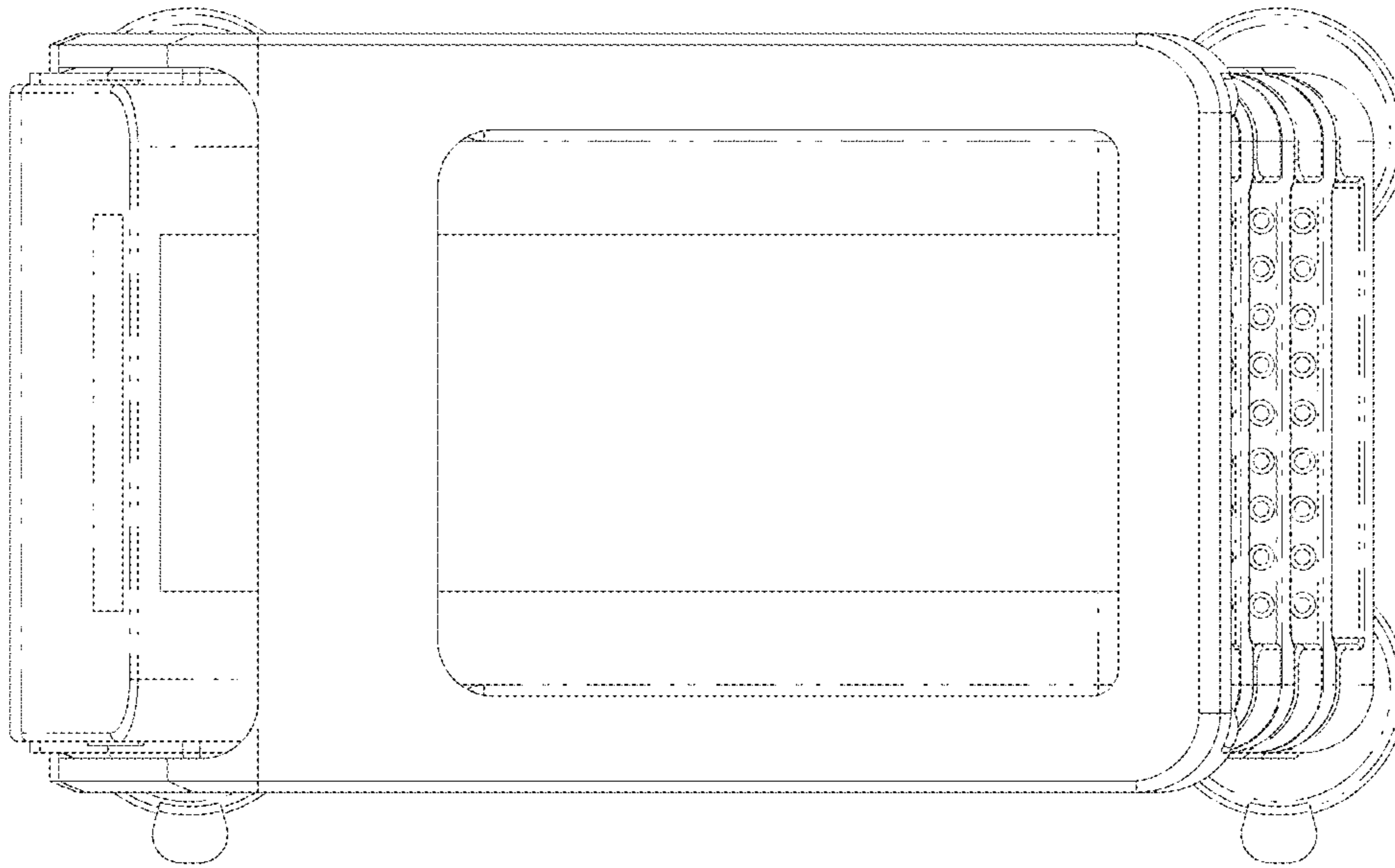


Figure 12

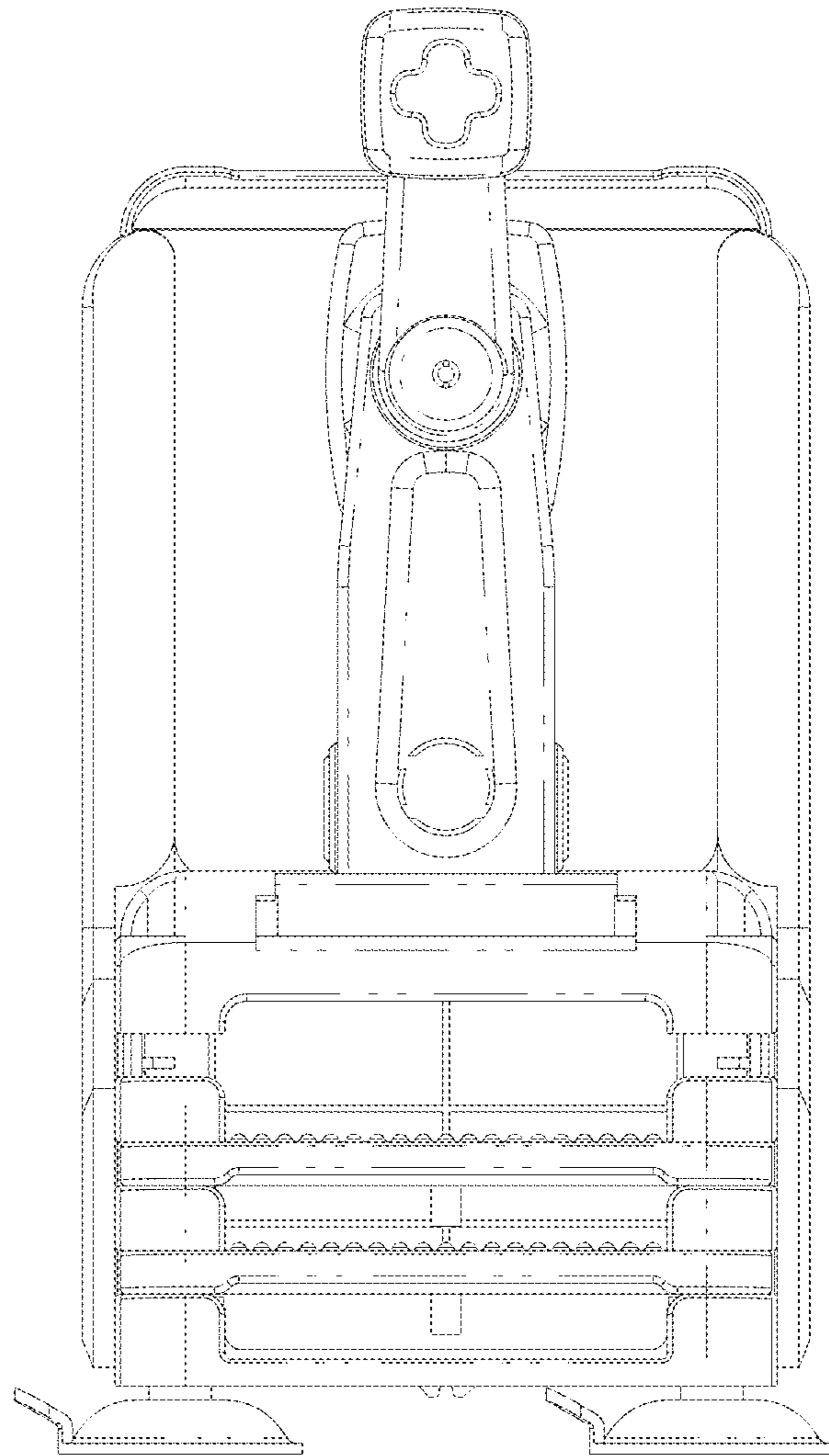


Figure 13

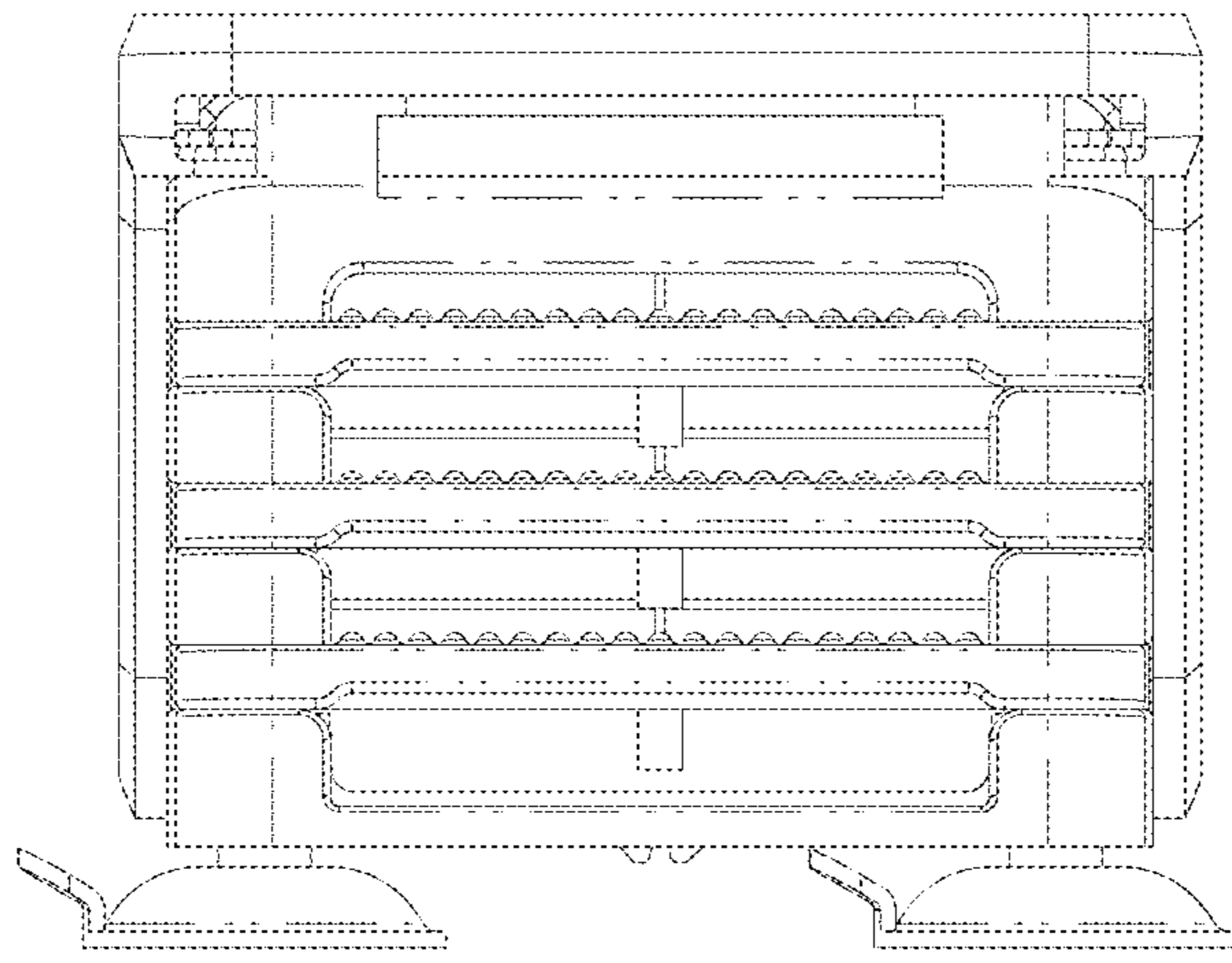


Figure 14

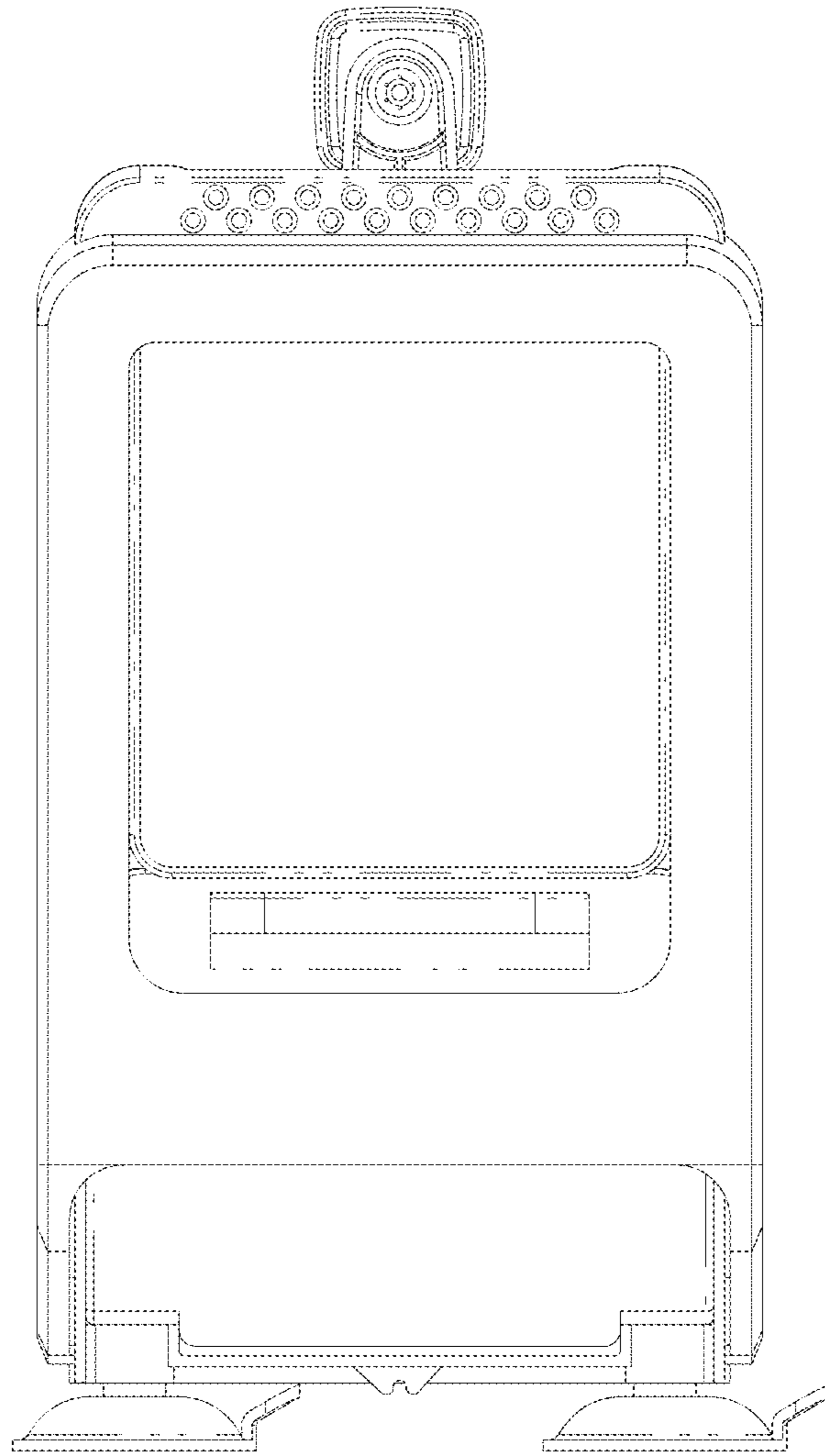


Figure 15



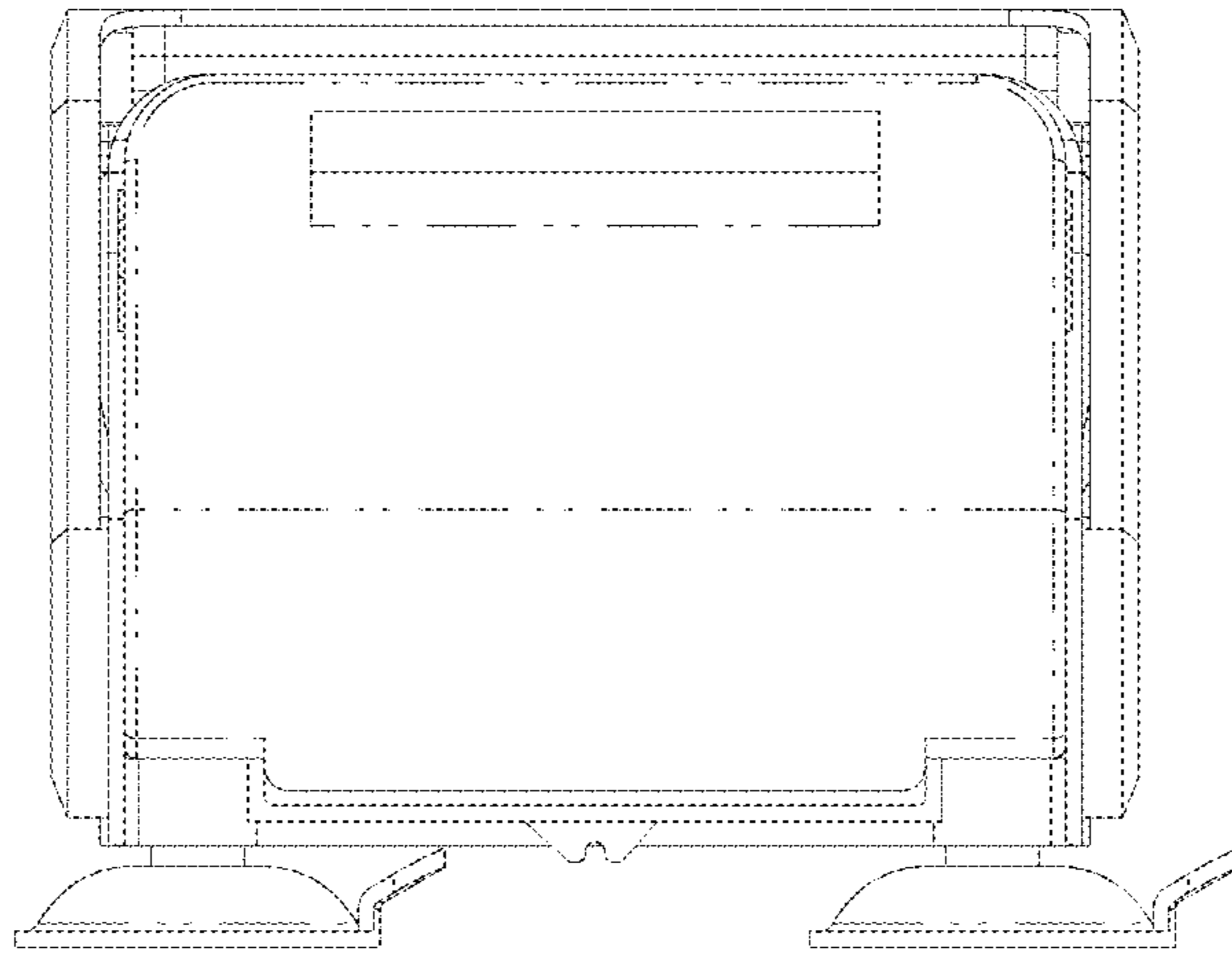


Figure 16