



US00D779293S

(12) **United States Design Patent**
Cranston

(10) **Patent No.:** **US D779,293 S**

(45) **Date of Patent:** **** Feb. 21, 2017**

(54) **FOODSTUFF MILL OR REPLICA THEREOF**

D608,163 S * 1/2010 Park D7/597
7,806,354 B2 * 10/2010 de Groote A47J 42/04
241/169.1
D629,642 S * 12/2010 Miller D7/372

(71) Applicant: **DKB HOUSEHOLD UK LIMITED**,
Hampshire (GB)

(72) Inventor: **Clare Cranston**, Hampshire (GB)

(73) Assignee: **DKB Household UK Limited** (GB)

(**) Term: **15 Years**

(21) Appl. No.: **29/535,194**

(22) Filed: **Aug. 4, 2015**

(30) **Foreign Application Priority Data**

Feb. 4, 2015 (EM) 002626358-0003

(51) **LOC (10) Cl.** **07-06**

(52) **U.S. Cl.**
USPC **D7/679**; D7/372; D7/381

(58) **Field of Classification Search**
USPC D7/679, 590-597, 372-374, 381, 383,
D7/384; D9/500, 503, 504, 516, 549, 559,
D9/574, 575
CPC A47J 42/04; A47J 42/16; A47J 42/18;
A47J 42/00; A47J 42/14; A47J
42/24; A47J 42/34; A47J 43/25; A47J
43/255; A47J 43/06

See application file for complete search history.

(56) **References Cited**

U.S. PATENT DOCUMENTS

D444,040 S * 6/2001 Yip D7/679
D581,750 S * 12/2008 de Groote D7/597

* cited by examiner

Primary Examiner — Terry Wallace

(74) *Attorney, Agent, or Firm* — Dorsey & Whitney LLP

(57) **CLAIM**

The ornamental design for a foodstuff mill or replica thereof,
as shown and described.

DESCRIPTION

FIG. 1 is a top isometric view of a foodstuff mill or replica
thereof in accordance with the present design;

FIG. 2 is left side view thereof, the right side view being a
mirror image of the left side view;

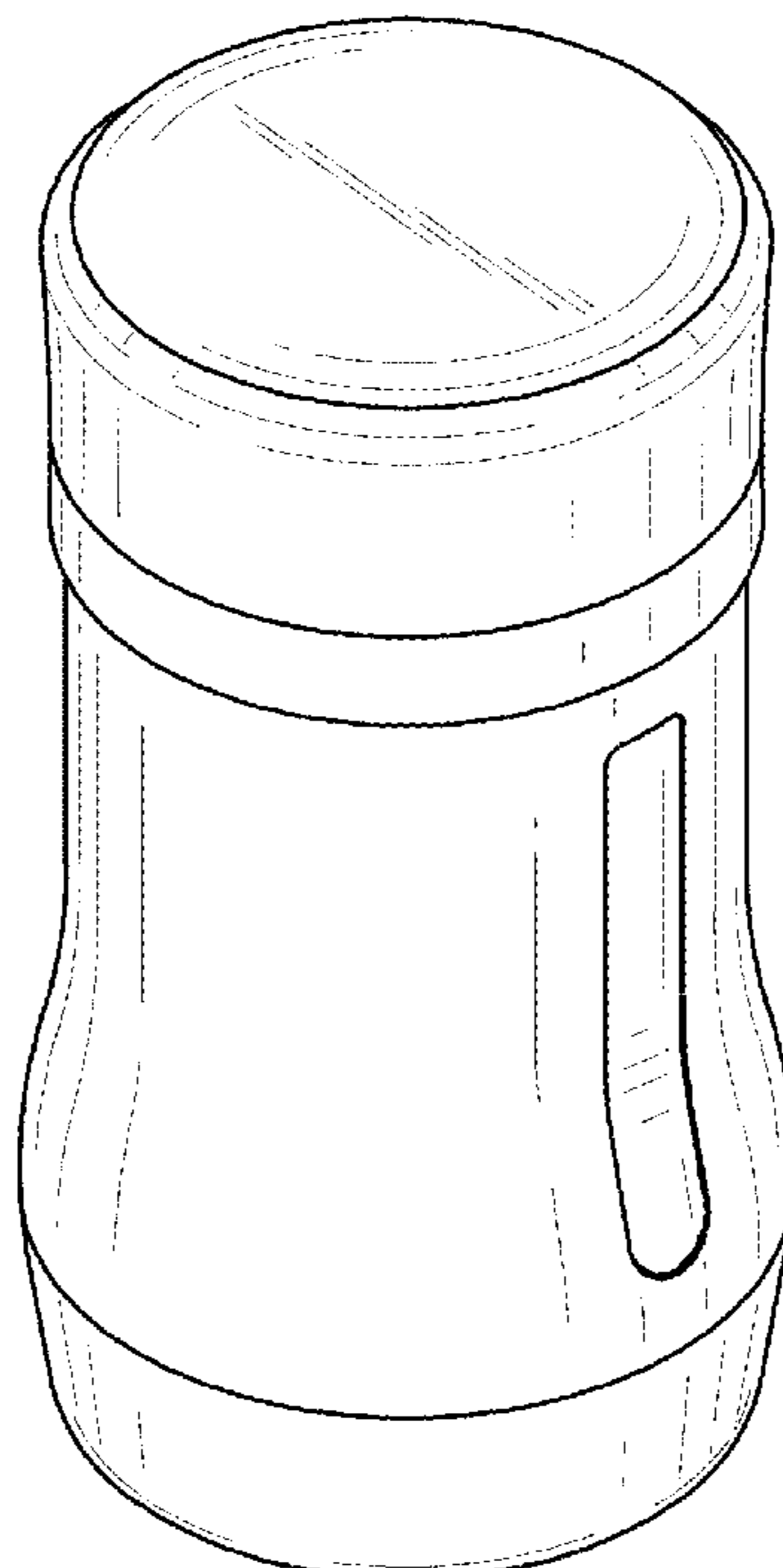
FIG. 3 is a front view thereof;

FIG. 4 is a top view thereof; and,

FIG. 5 is bottom view thereof.

The dash-dash broken lines illustrate portions of a foodstuff
mill or replica thereof that form no part of the claimed
design. The dot-dash-dot broken line illustrates a boundary
of the claimed design that forms no part of the claimed
design.

1 Claim, 5 Drawing Sheets



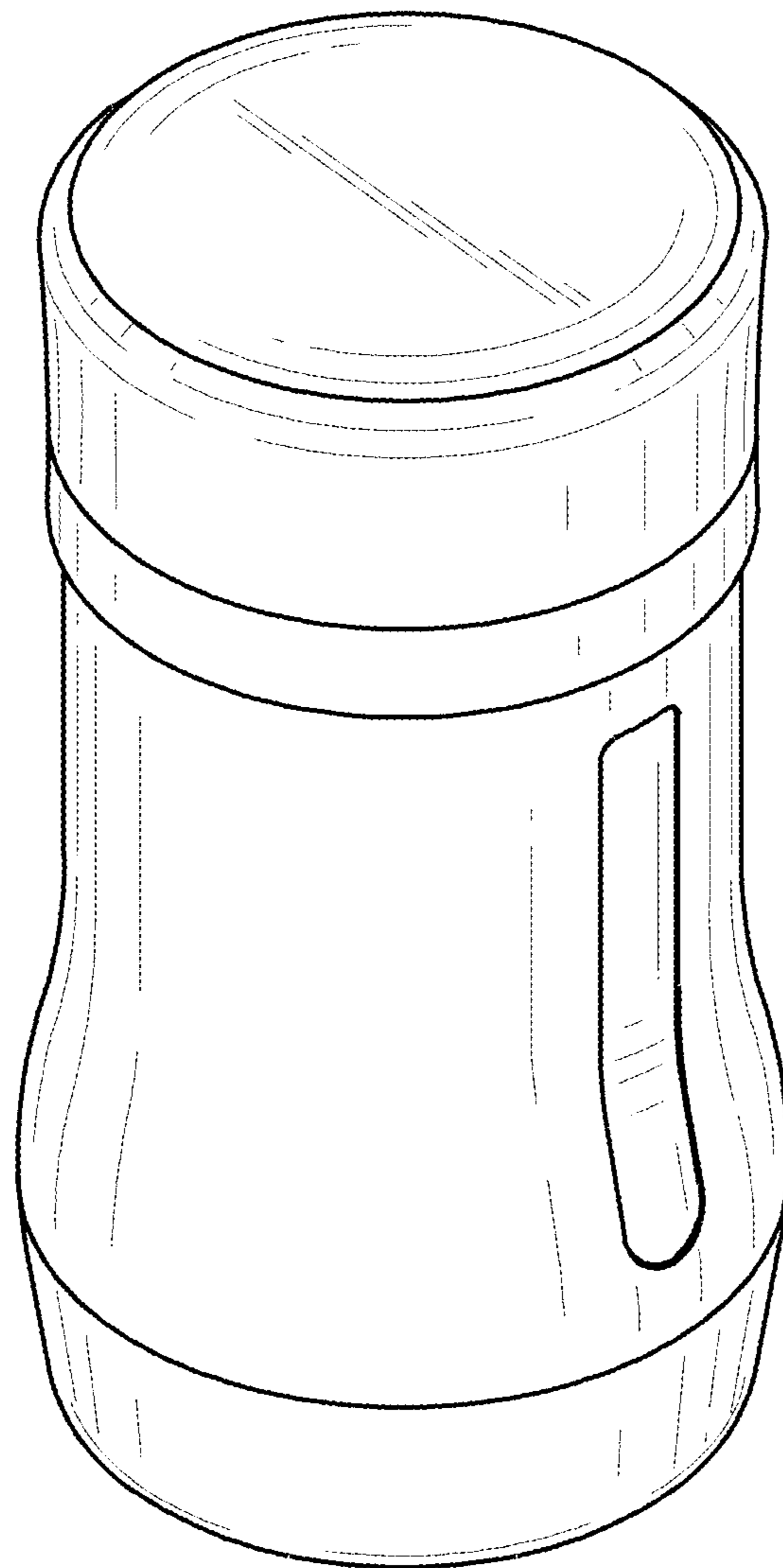


FIG. 1

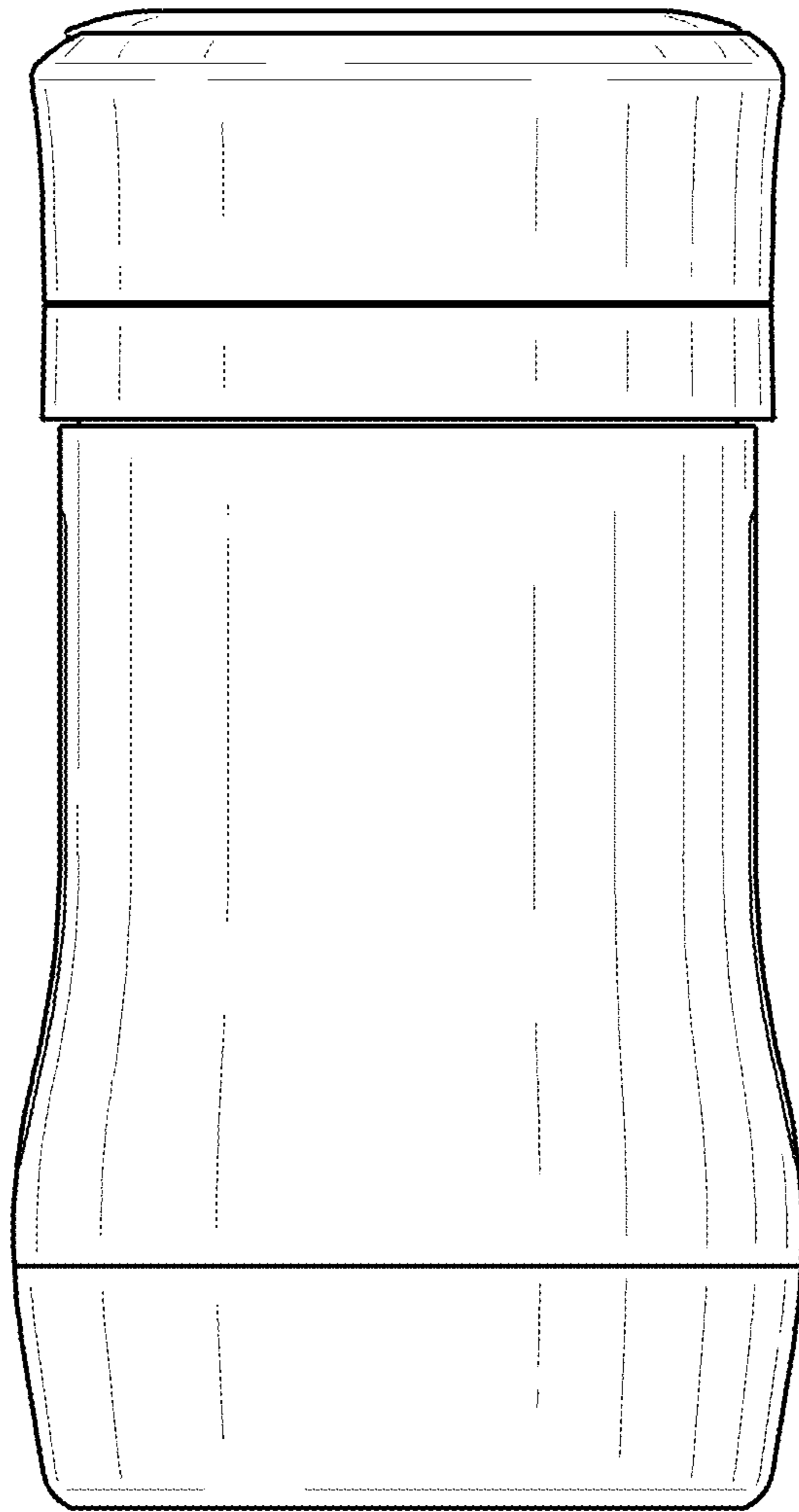


FIG. 2

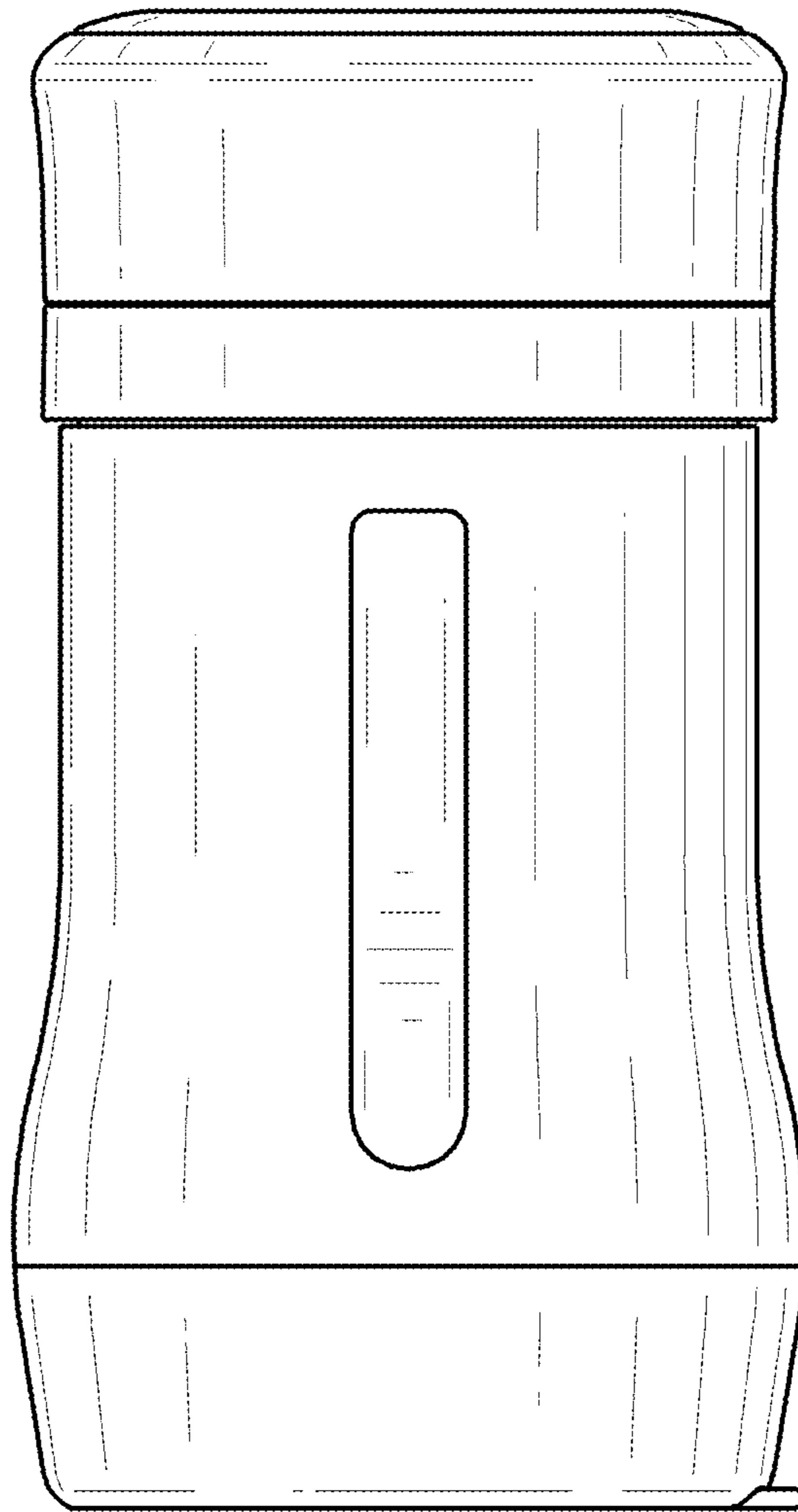


FIG. 3

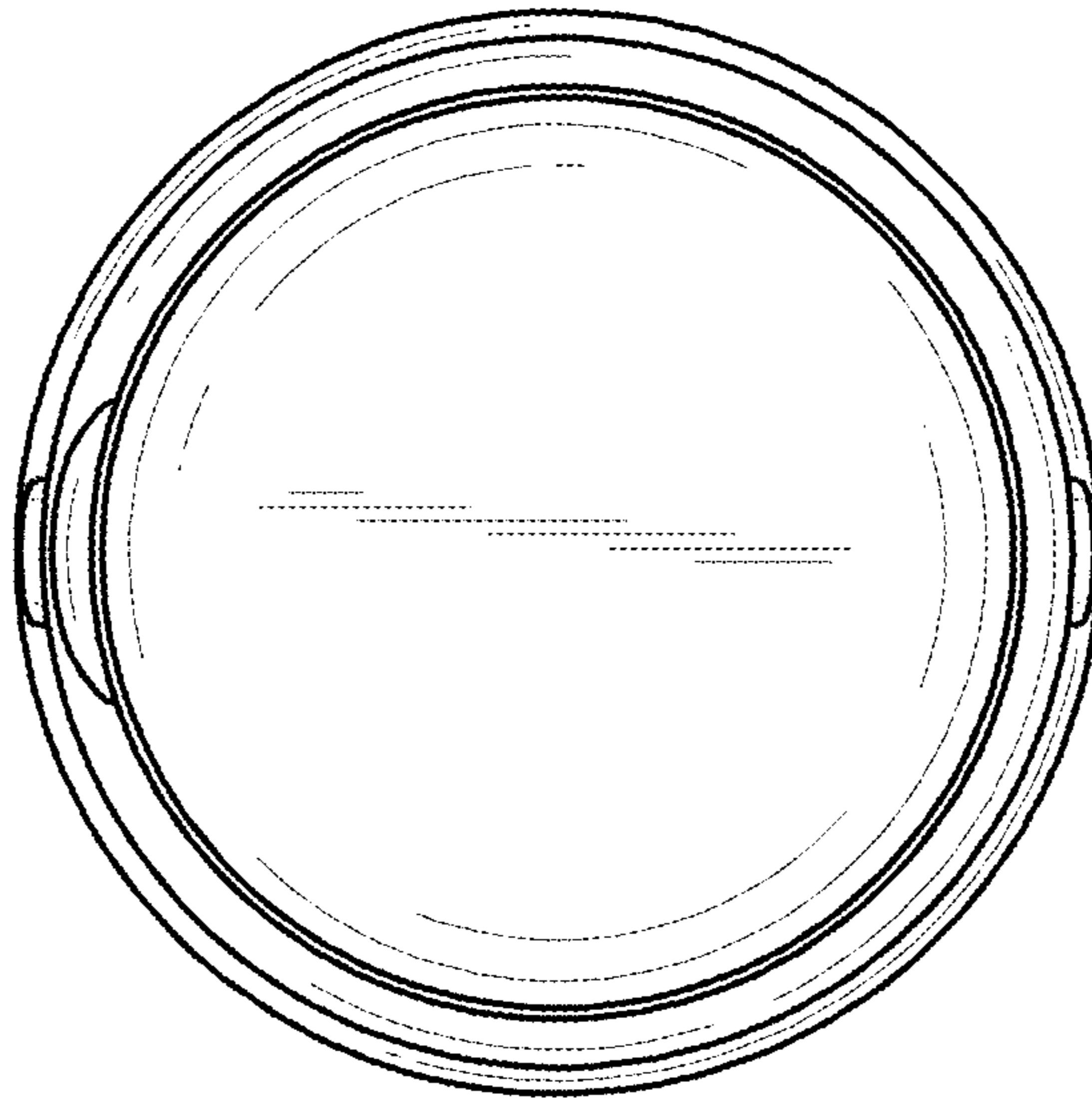


FIG. 4

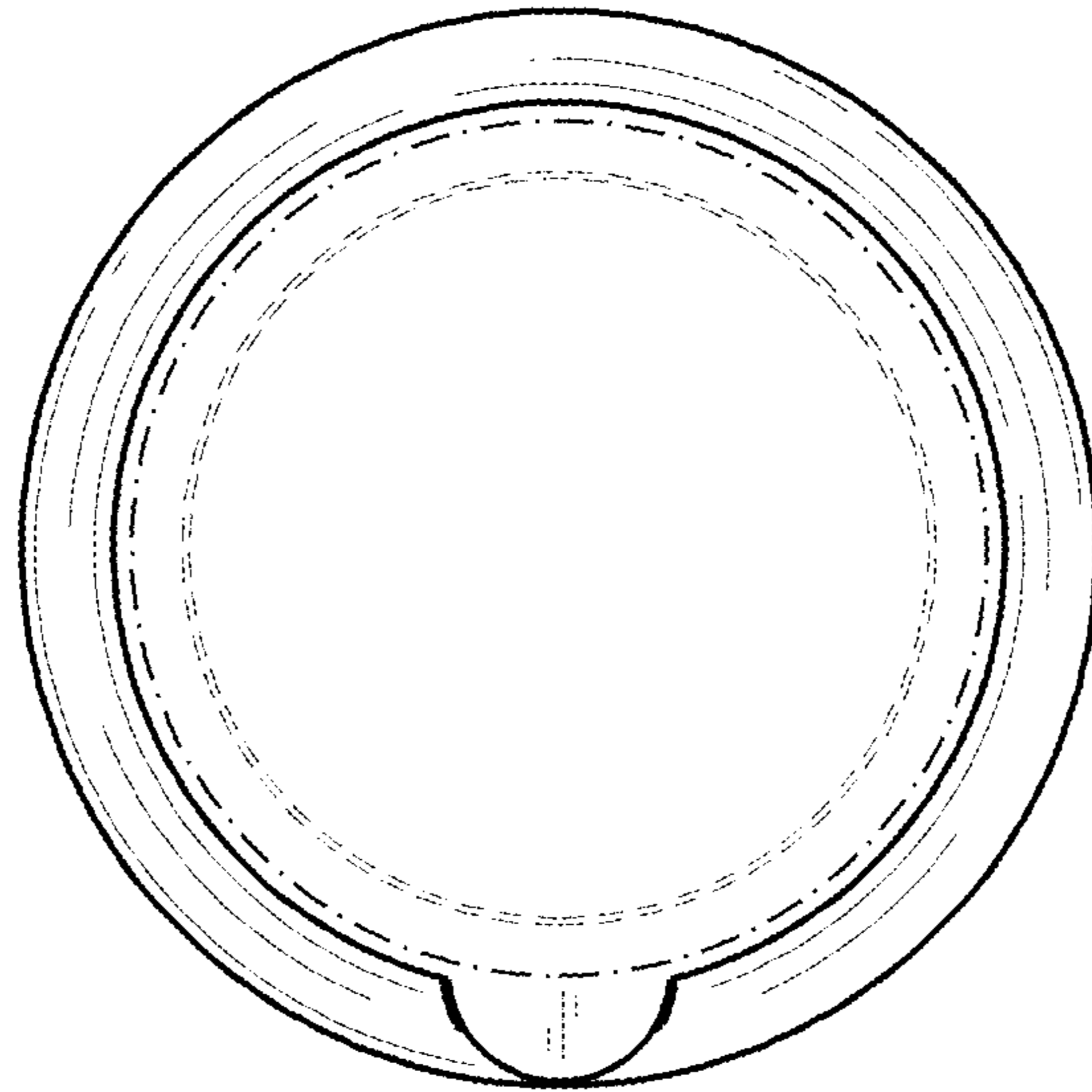


FIG. 5